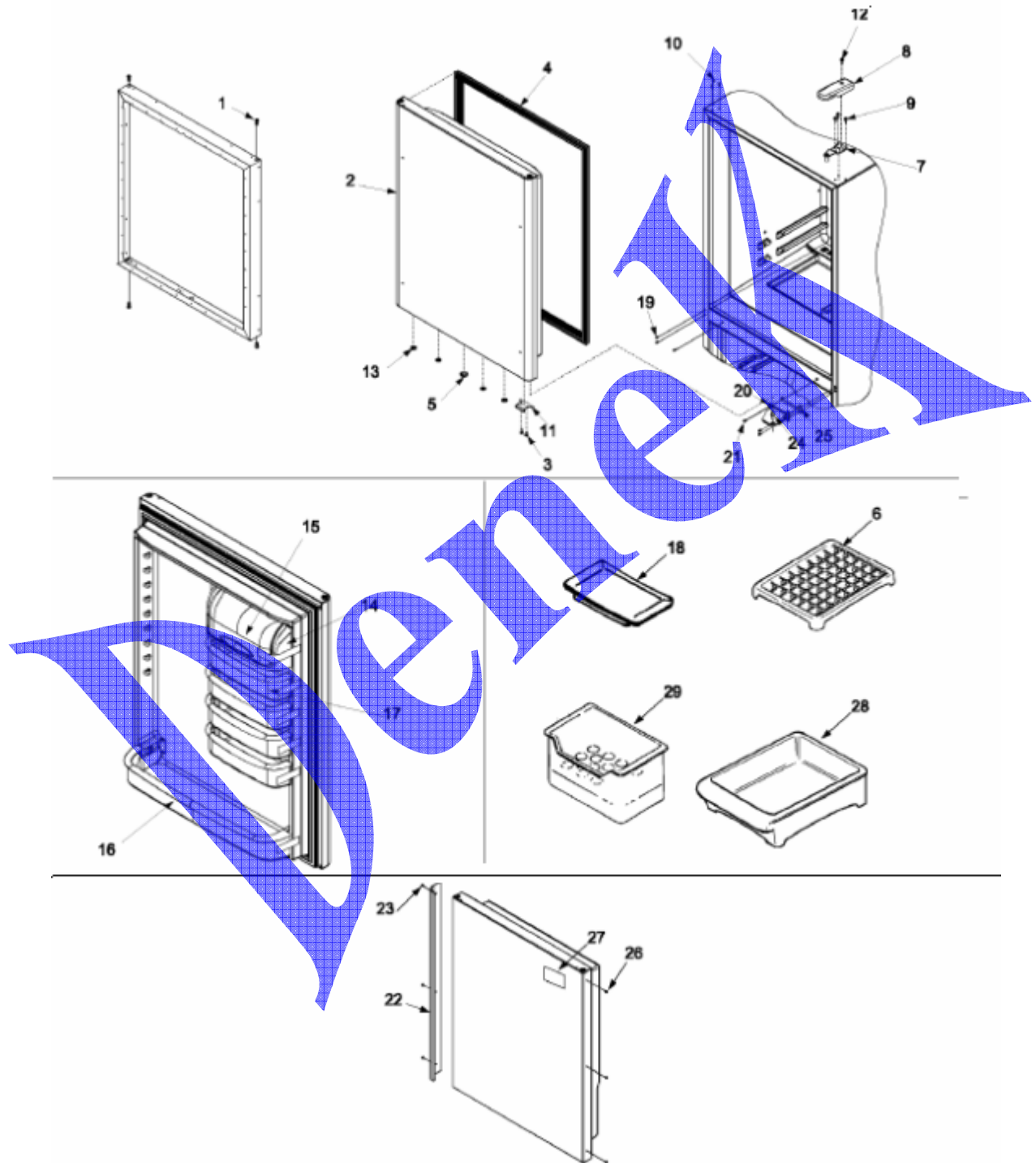


REF. MTG. MODEL.MBB2256GES

PUERTA DE REFRIGERADOR



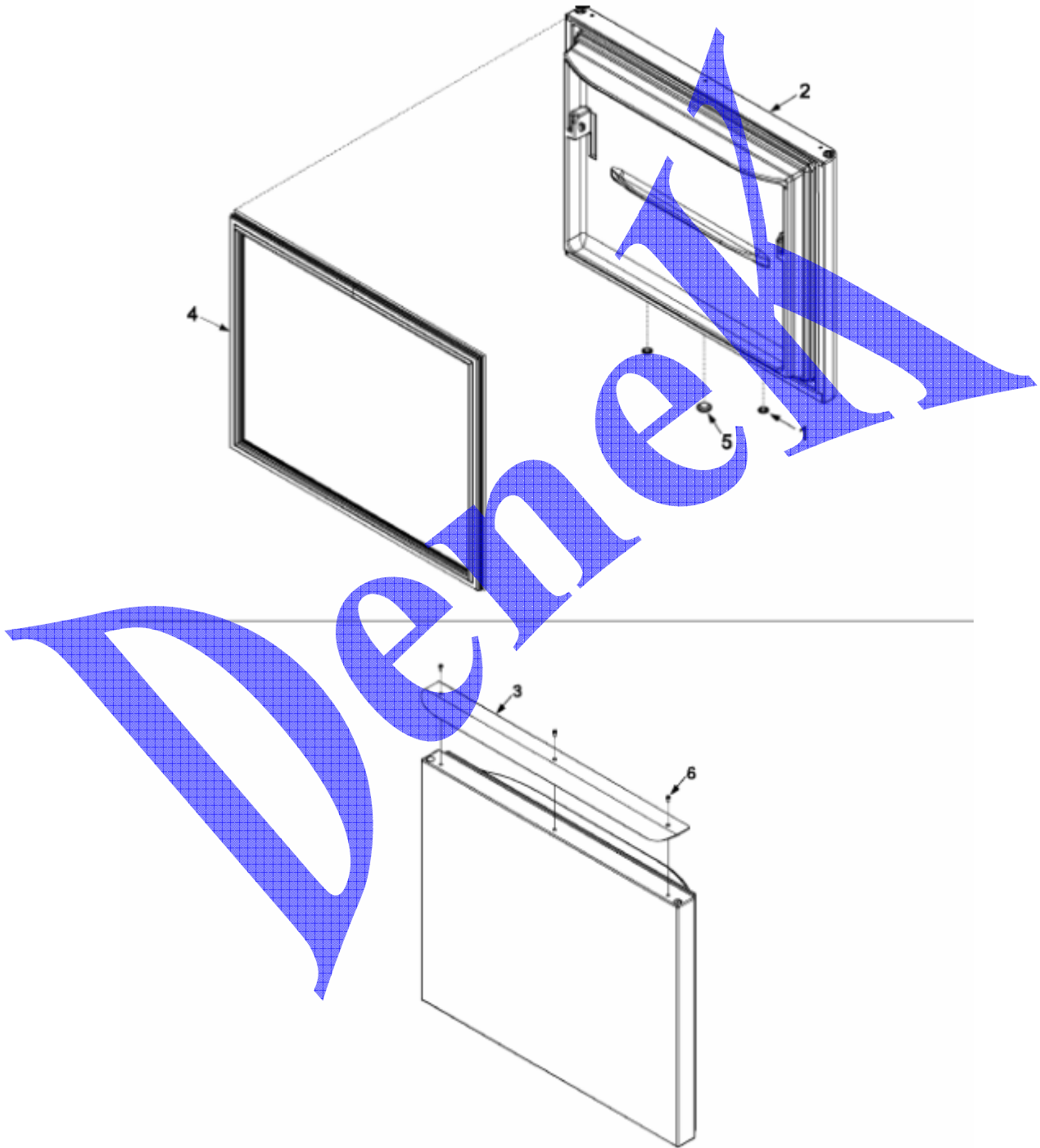
REF. MTG. MODEL.MBB2256GES

PUERTA DE REFRIGERADOR

NUMERO	N.DE PARTE	DESCRIPCION
1	10961001	BUSHING, DOOR (WHT)
1	10961002	BUSHING, DOOR (BLK)
2	67001206	REF DR FOAM ASSY (STNLS)
2	67001207	REF DR FOAM ASSY (BLK)
2	67001208	REF DR FOAM ASSY (WHT)
2	67001209	REF DR FOAM ASSY (BSQ)
3	M0211533	SCREW, MOUNTING
4	12683803B	GASKET, REF DR (BLK)
4	12683803W	GASKET, REF DR (WHT)
5	A3080001	PLUG, BUTTON (BLK)
5	A3080002	PLUG, BUTTON (WHT)
6	61002140	TRAY, ICE
7	67001011	HINGE, TOP (BLK)
8	67001012	COVER, TOP HINGE (BLK)
8	67001013	COVER, TOP HINGE (BSQ)
8	67001014	COVER, TOP HINGE (WHT)
9	M0238731	SCREW, TF
10	M0310729	PLUG, TOP HINGE BUTTON (WHT)
10	M0310731	PLUG, TOP HINGE BUTTON (BLK)
10	M0310738	PLUG, TOP HINGE BUTTON (BSQ)
11	10447110	STOP, DOOR (BSQ)
11	10447108	STOP, DOOR (WHT)
11	10447109	STOP, DOOR (BLK)
12	M0202336	SCREW, MACH
13	67001015	PLUG, BUTTON (WHT)
13	67001016	PLUG, BUTTON (BLK)
14	67001279	TRAY, DAIRY
15	67001307	DOOR, DAIRY
16	67001748	RETAINER, DOOR
17	67001020	BUCKET, REF DR (MED)
18	29936-2	TRAY, BUTTER
19	M0239730	SCREW, TF
20	67001167	HINGE, CENTER (BLK)
20	67001168	HINGE, CENTER (WHT)
21	M0226233	SCREW, T. F.
22	67001892	HANDLE, REF DOOR (WHT)
22	67001952	HANDLE, REF DOOR (BSQ)
22	67001965	HANDLE, REF DOOR (STNLS)
22	67002059	HANDLE, REF DOOR (BLK)
23	67001691	SCREW, SM (BSQ)
23	67001692	SCREW, SM (WHT)
23	67001693	SCREW, SM (BLK)
23	M0213530	SCREW, SM (STNLS)
24	10351003	PIN, HINGE (CTR)
25	M0274062	SHIM, NON METAL (BLK)
25	M0274057	SHIM, NON METAL (WHT)
26	12246601	PLUG, HANDLE HOLE (WHT)
26	12246603	PLUG, HANDLE HOLE (BLK)
26	12246604	PLUG, HANDLE HOLE (BSQ)
26	12246606	PLUG, HANDLE HOLE (STNLS)
27	61003616	NAMEPLATE (WHT)
27	61003875	NAMEPLATE (BLK)
27	61005079	NAMEPLATE (BSQ)
28	61002267	PAN, ICE
29	67215-2	TRAY, EGG

REF. MTG. MODEL.MBB2256GES

PUERTA DEL CONGELADOR



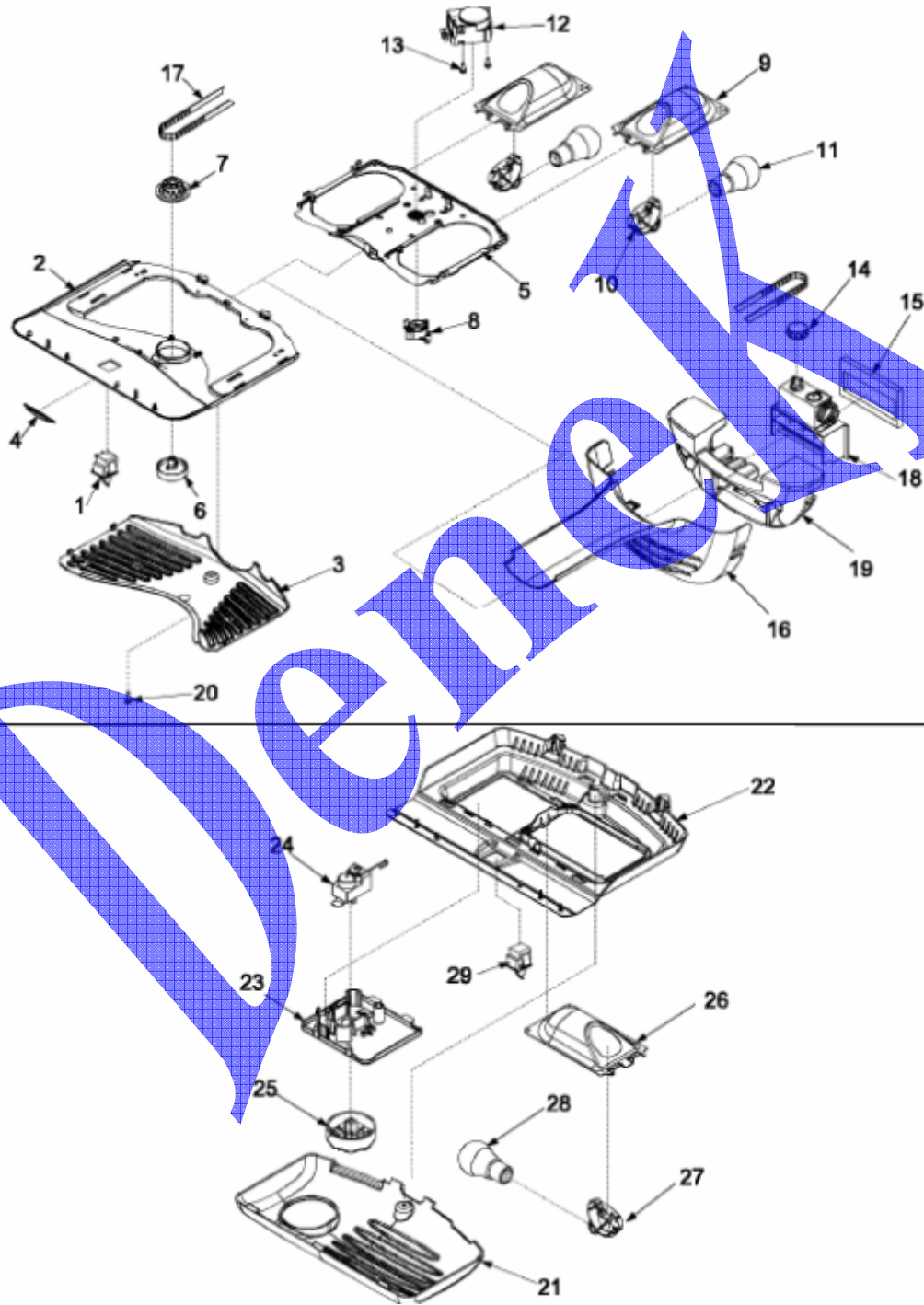
REF. MTG. MODEL.MBB2256GES

PUERTA DEL CONGELADOR

NUMERO	N.DE PARTE	DESCRIPCION
1	67001015	PLUG, BUTTON (WHT)
1	67001016	PLUG, BUTTON (BLK)
2	67001222	FZ DR FOAM ASSY (BLK)
2	67001223	FZ DR FOAM ASSY (BSQ)
2	67001224	FZ DR FOAM ASSY (WHT)
2	67001225	FZ DR FOAM ASSY (STNLS)
3	67001953	HANDLE, FZ DOOR (BSQ)
3	67001954	HANDLE, FZ DOOR (STNLS)
3	67002017	HANDLE, FZ DOOR (WHT)
3	67002210	HANDLE, FZ DOOR (BLK)
4	12683804B	GASKET, FZ DR (BLK)
4	12683804W	GASKET, FZ DR (WHT)
5	A3080001	PLUG, BUTTON (BLK)
5	A3080002	PLUG, BUTTON (WHT)
6	M0213530	SCREW, SM (STNLS)
6	67001691	SCREW, SM (BSQ)
6	67001692	SCREW, SM (WHT)
6	67001693	SCREW, SM (BLK)

REF. MTG. MODEL.MBB2256GES

CONTROLES



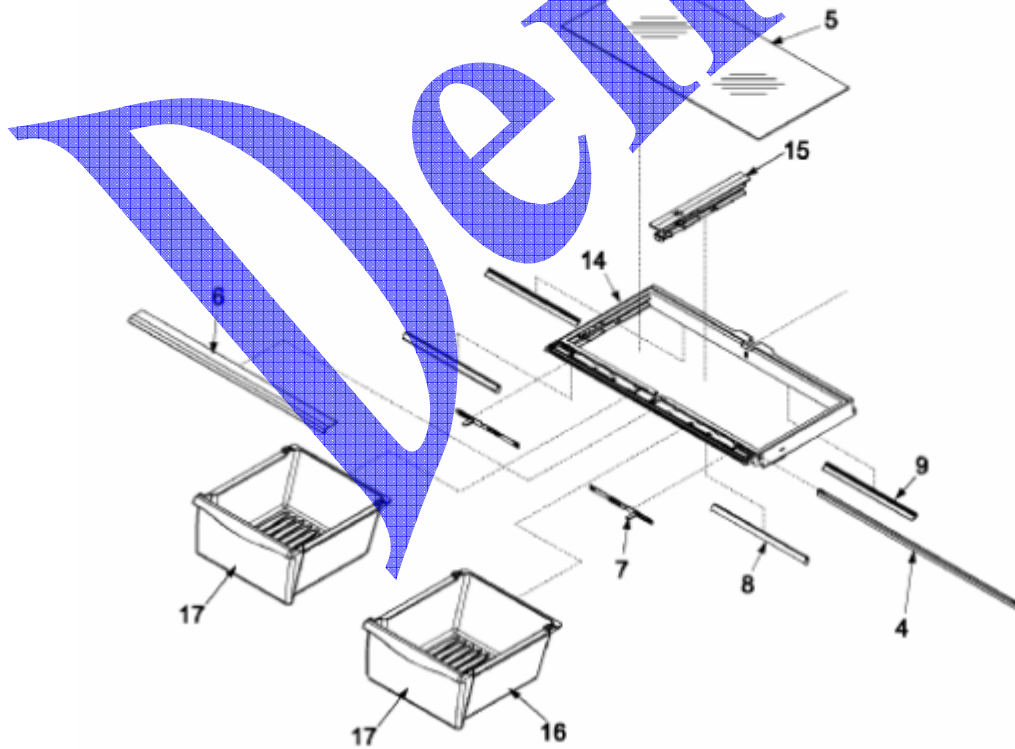
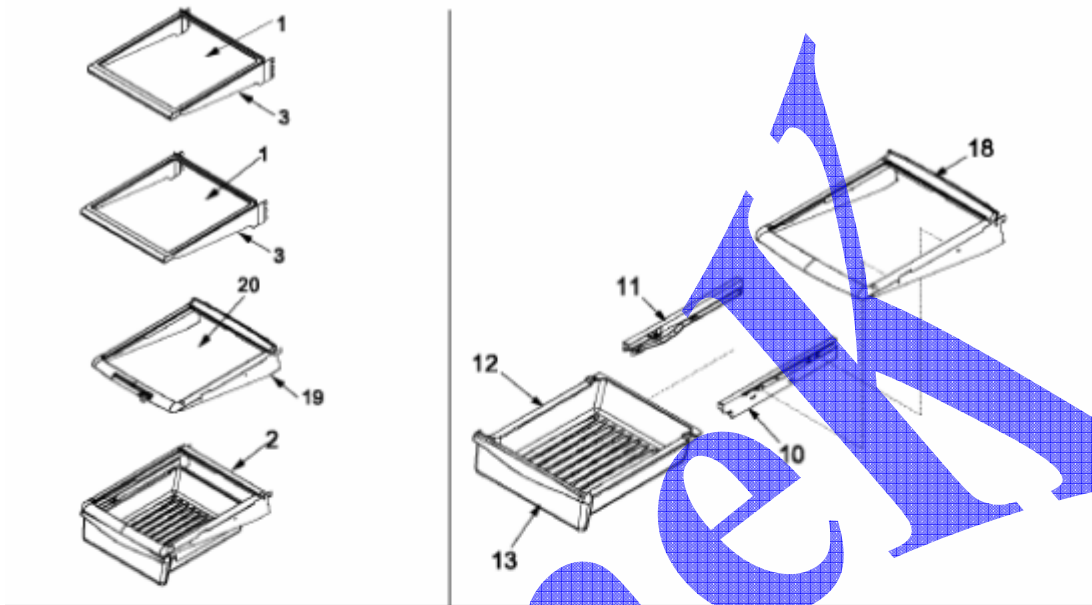
REF. MTG. MODEL.MBB2256GES

CONTROLES

NUMERO	N.DE PARTE	DESCRIPCION
1	C3680310	SWITCH, LIGHT
2	67002087	MODULE, LIGHT
3	67001029	COVER, REF LIGHT
4	67002438	LOGO, LIGHT MODULE
5	67001031	PAN. TIMER/LIGHT HOUSING
6	67002158	KNOB, FRONT DAMPER
7	67001033	KNOB, GEAR
8	67001034	TENSIONER, BELT
9	67001035	HOUSING, LIGHT
10	12570701	SOCKET, LIGHT
11	A0282803	BULB, LIGHT (40 WATT)
12	67001036	TIMER, DEFROST
13	M0216705	SCREW
14	67001037	GEAR, DAMPER
15	67001038	GASKET, DAMPER
16	67002439	COVER, DAMPER
17	67001040	BELT, DAMPER
18	67001041	CONTROL, DAMPER
19	67001042	INSULATION, DAMPER
20	M0211018	SCREW, SM
21	67001285	COVER, FZ LIGHT
22	67001286	MODULE, FZ CONTROL
23	67001045	PANEL, FZ CONTROL MOUNTING
24	67001046	CONTROL, FZ TEMPERATURE
25	67001321	KNOB, FZ CONTROL
26	67001035	HOUSING, LIGHT
27	12570701	SOCKET, LIGHT
28	A0282803	BULB, LIGHT (40 WATT)
29	12466101	SWITCH, LIGHT//INTRLK
30	67001043	HARNESS, FF MODULE
31	67001049	HARNESS, FZ MODULE

REF. MTG. MODEL.MBB2256GES

CHAROLAS Y ANAQUELES ENFRIADOR



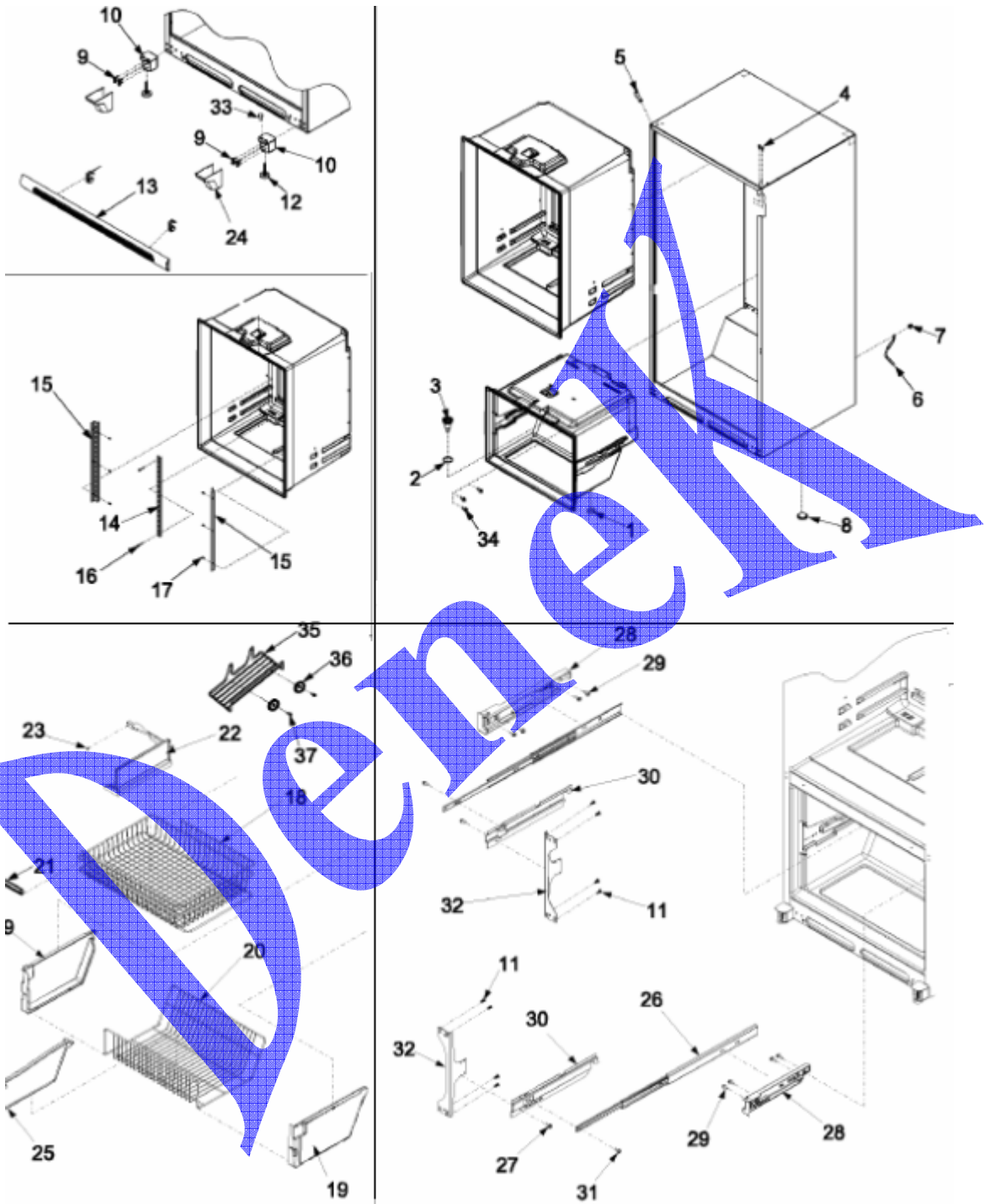
REF. MTG. MODEL.MBB2256GES

CHAROLAS Y ANAQUELES ENFRIADOR

NUMERO	N.DE PARTE	DESCRIPCION
1	61002572	SHELF, SPILLPROOF
2	67002440	DELI ASSY
3	61002582	FRAME, SHELF
4	67001059	BRACE, CRISPER E-CT
5	67001060	GLASS, CRISPER
6	67002441	EXTR. CRISPER FRONT
7	67001287	SLIDE, HUMIDITY CONTROL
8	67001063	SEAL, FRONT CRISPER
9	67001768	SEAL, REAR CRISPER
10	61002305	RAIL, MEAT PAN (RT)
11	61002304	RAIL, MEAT PAN (LT)
12	61002581	PAN, MEAT
13	61002676	FRONT, MEAT PAN
14	67001056	FRAME, CRISPER
15	67001057	RAIL, CENTER CRISPER
16	67001315	PAN, CRISPER
17	67002442	FRAME, CRISPER PAN
18	61005752	SHELF, MEAT
19	61005403	FRAME ASSY., ELEVATOR SHELF
20	61004709	SHELF, ELEVATOR
21	67002054	CRISPER ASSY

REF. MTG. MODEL.MBB2256GES

PARTES INTERIOR DEL CONGELADOR



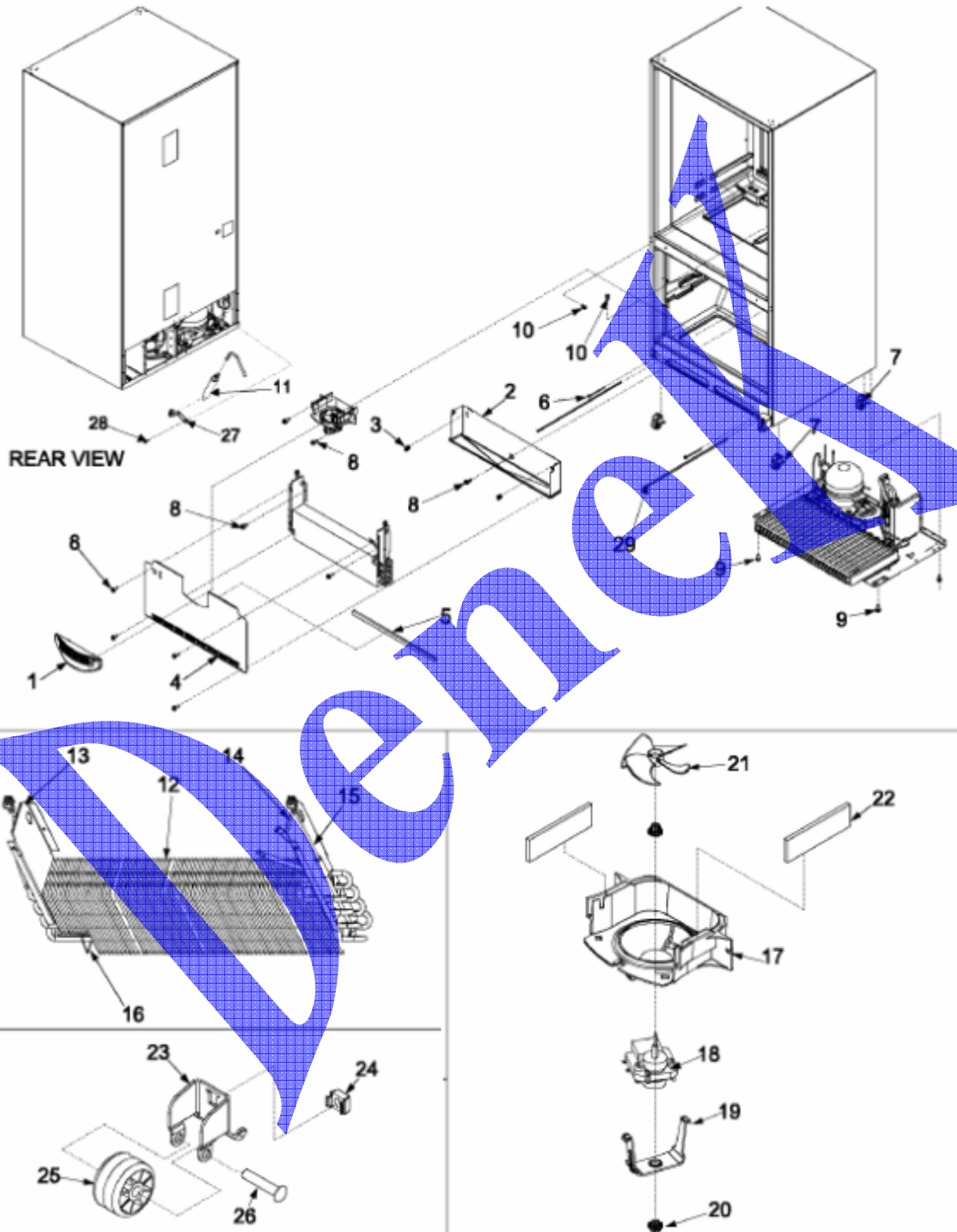
REF. MTG. MODEL.MBB2256GES

PARTES INTERIOR DEL CONGELADOR

NUMERO	N.DE PARTE	DESCRIPCION
1	B8381501	GASKET, DRAIN TUBE
2	M0500703	SEAL, O RING
3	D7753903	FUNNEL, DRAIN
4	A4539607	POP RIVET
5	12587702B	COVER, CORNER (BLK)
5	12587702W	COVER, CORNER (WHT)
5	12587702C	COVER, CORNER (BSQ)
6	67001066	TUBE, DRAIN
7	67001067	CLIP, DRAIN TUBE
8	A3076901	PLUG, BUTTON
9	M0241508	SCREW, SM
10	67001238	HINGE, BOTTOM E-CT (BLK)
10	67001239	HINGE, BOTTOM E-CT (WHT)
11	M0211018	SCREW, SM
12	10354001	BRAKE FOOT
13	67002174	TOE GRILLE ASSY (BLK)
13	67002176	TOE GRILLE ASSY (WHT)
13	67002285	TOE GRILLE ASSY (BSQ)
14	67002108	ADAPTER, CENTER RAIL
14	67002462	RAIL, SHELF SUPPORT (CTR)
15	67002463	RAIL, SHELF SUPPORT (LT/RT)
16	M0231425	SCREW
17	M0238642	SCREW, SM
18	67001242	BASKET, UPPER
19	67001244	END CAP, BASKET (LWR-LT)
19	67001245	END CAP, BASKET (LWR-RT)
20	67001240	BASKET, LOWER FZ
22	67001723	DIVIDER, BASKET (UPPER)
23	67001310	SCREW
24	12561901B	COVER, LWR HINGE (BLK)
24	12561901C	COVER, LWR HINGE (BSQ)
24	12561901W	COVER, LWR HINGE (WHT)
25	67001243	DIVIDER, BASKET
26	12525504	SLIDE, DRAWER
27	M0239229	SCREW
28	67001246	ADAPTER (LT)
28	67001247	ADAPTER (RT)
29	M0211021	SCREW 1"
30	67001248	BRACKET, DRAWER SLIDE (LT)
30	67001249	BRACKET, DRAWER SLIDE (RT)
31	M0234422	SCREW
32	67001262	BRACKET, DOOR
33	M0310343	PLUG, BUTTON (WHT)
34	M0238616	SCREW, SM
35	67002419	RACK, ICE TRAY
36	10972101	SPACER, ICE RACK
37	M0230919	SCREW

REF. MTG. MODEL.MBB2256GES

AREA DEL EVAPORADOR



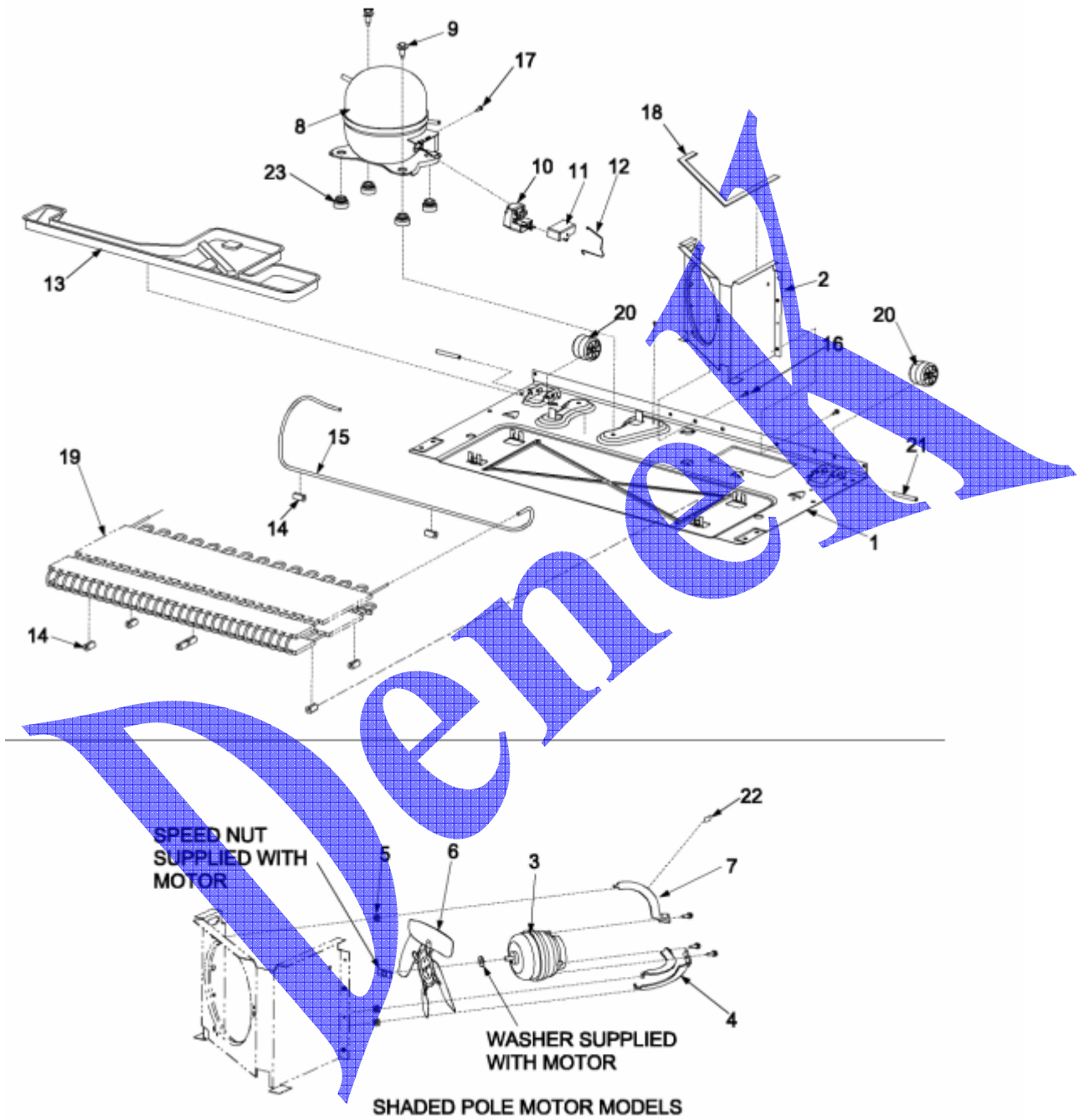
REF. MTG. MODEL.MBB2256GES

AREA DEL EVAPORADOR

NUMERO	N.DE PARTE	DESCRIPCION
1	67001079	GRILLE, FZ AIR**
2	67001080	TRAY, DRIP E-CT
3	10623002	CLIP, EVAPORATOR
4	67001081	COVER, EVAPORATOR
5	67001776	GASKET
6	12606102	BOLT, ROLLER ADJ
7	67001082	FRONT ROLLER BRACKET ASSY
8	M0238616	SCREW, SM
9	M0260242	SCREW, TF
10	M0580205	GROMMET, SCREW
11	B2150504	DRIER
12	12001919	KIT, EVAPORATOR
13	67001083	DAM, LEFT RETURN
14	67001084	DAM, RIGHT RETURN
15	67001794	HEATER, DEFROST
16	10428101	CLIP, EVAP HEATER
17	67001086	SHROUD, EVAP FAN
18	67001087	MOTOR, EVAP FAN
19	12217805	CLIP, EVAP MOTOR
20	12619301	GROMMET, FAN MOTOR
21	12217201	FAN, EVAPORATOR
22	67001291	GASKET, FOAM
23	12456801	BRACKET, ROLLER
24	M0286708	NUT, SPEED
25	10450602	ROLLER
26	M1205302	RIVET
27	10547002	CLIP, DRIER
28	M0220617	SCREW
29	10093313	SCREW, ADJUSTING
30	12001937	THERMOSTAT KIT
31	67002008	HARNESS, EVAP HEATER

REF. MTG. MODEL.MBB2256GES

COMPRESOR



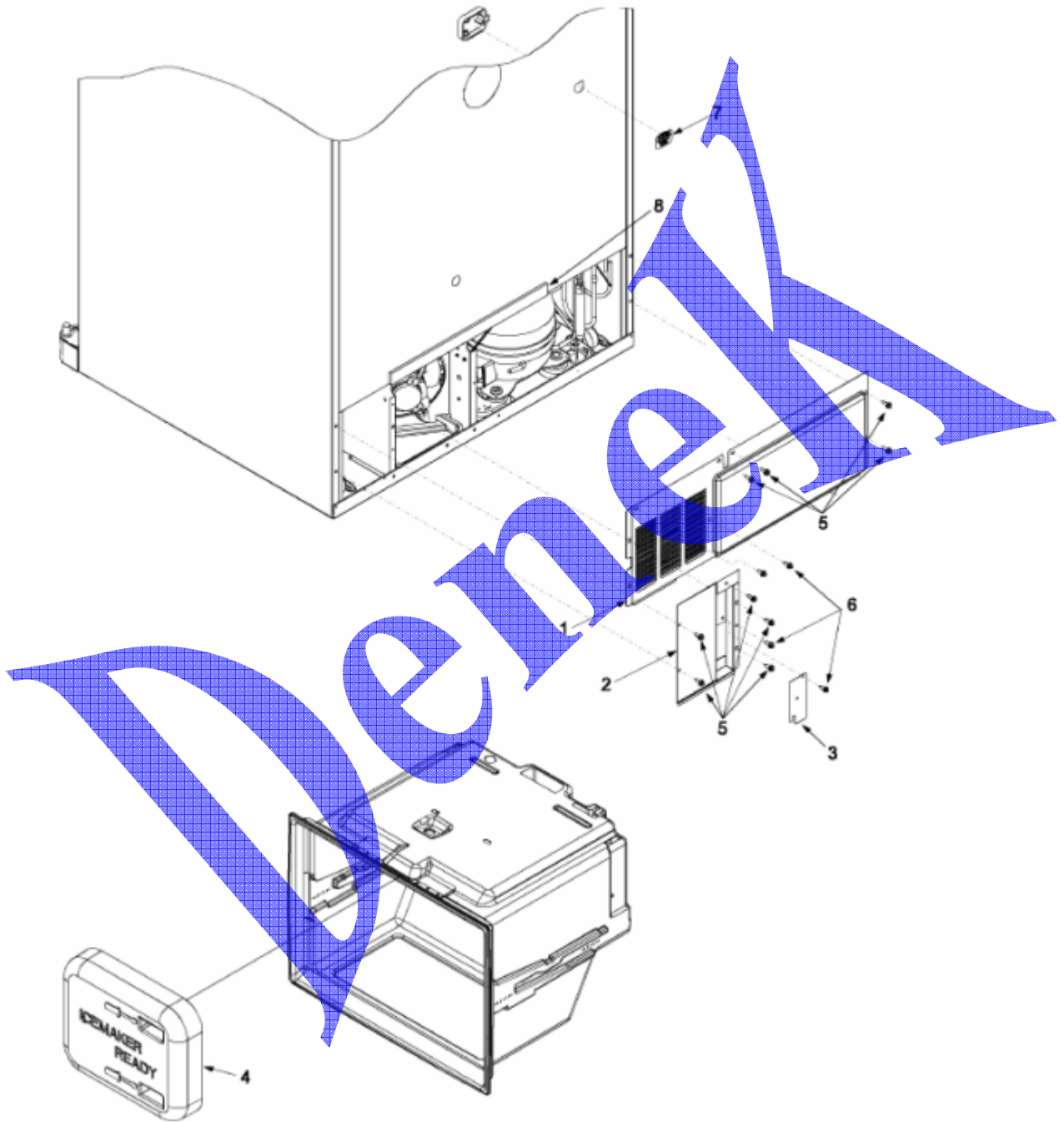
REF. MTG. MODEL.MBB2256GES

COMPRESOR

NUMERO	N.DE PARTE	DESCRIPCION
1	67001089	BASEPAN, MACHINE COMPARTMENT
2	67001090	SHROUD, CONDENSER FAN
3	10884507	MOTOR, CONDENSER FAN
4	67001311	BRACKET, COND MTR
5	12578701	GROMMET, FAN BRKT
6	12587601	BLADE, COND FAN
7	M0223816	SCREW, TR
8	12049717	COMPRESSOR, TC TPE1380Y
9	M0221523	SCREW, SHLDR
10	12555902	OVERLOAD, RELAY
11	C8931612	CAPACITOR
12	12576801	STRAP, BALE
13	67001091	PAN, DRAIN
14	12578601	GROMMET, CONDENSER
15	67001092	TUBE, DISCHARGE
16	M0238616	SCREW, SM
17	M0231604	SCREW, TF
18	61003210	SEAL
19	67001093	CONDENSER, E-CT
20	67001094	ROLLER
21	67001095	AXLE, ROLLER
22	67001096	GASKET, PROTECTIVE
23	10835901	GROMMET, COMPRESSOR
24	67001312	HARNESS, MC

REF. MTG. MODEL.MBB2256GES

PARTE POSTERIOR



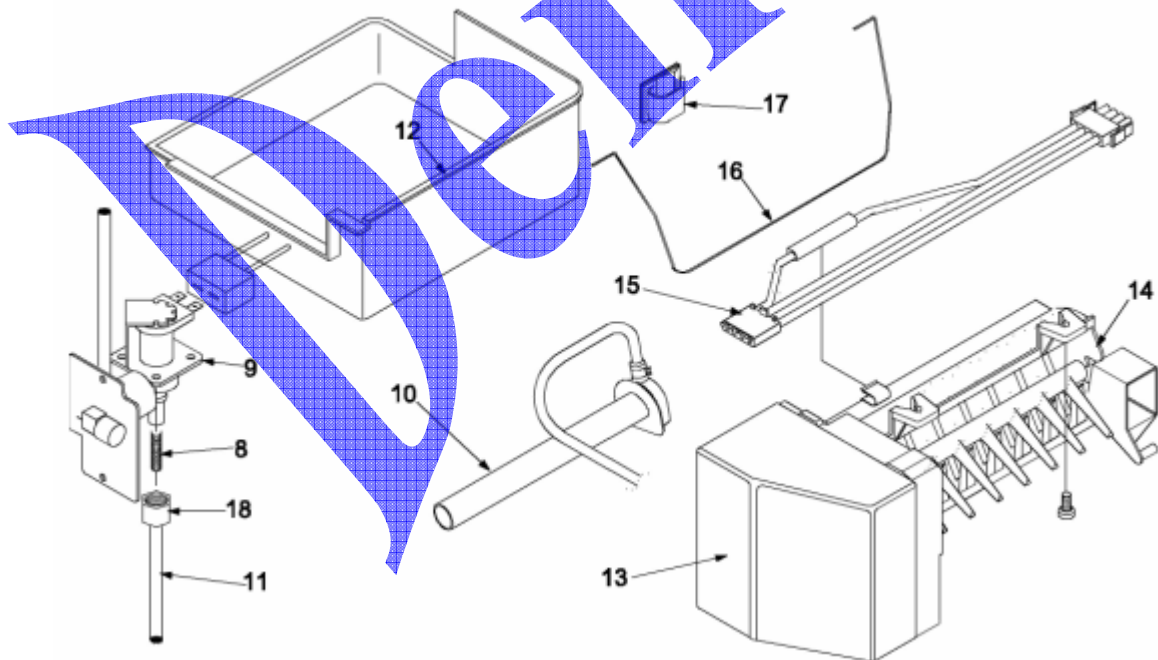
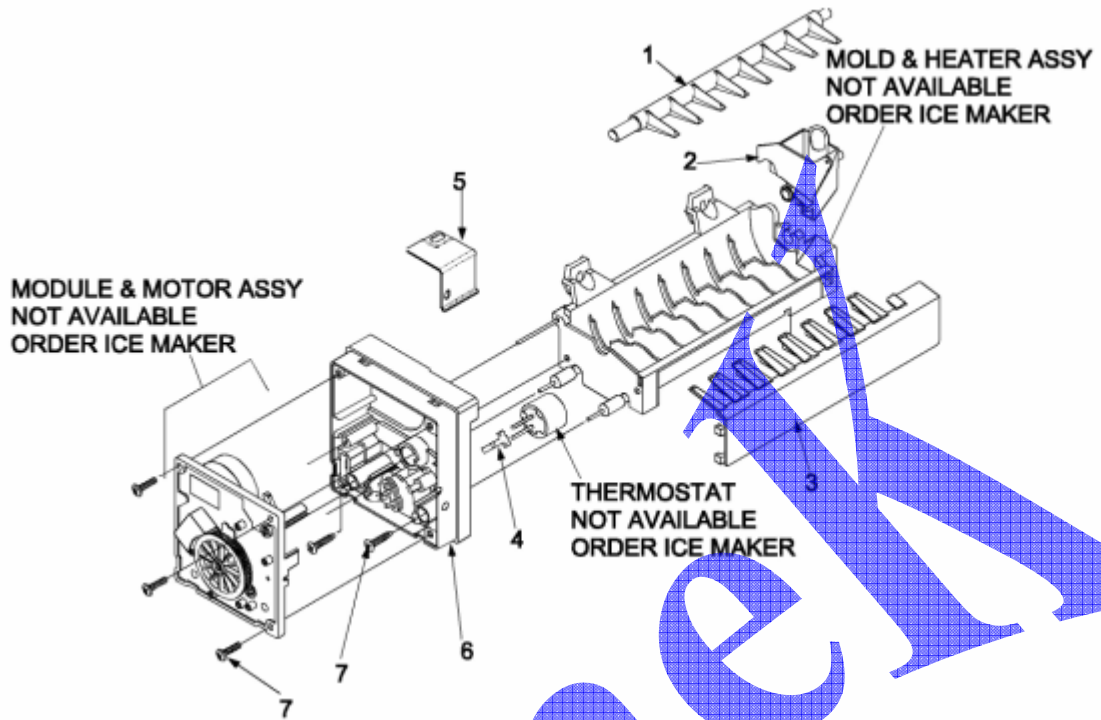
REF. MTG. MODEL.MBB2256GES

PARTE POSTERIOR

NUMERO	N.DE PARTE	DESCRIPCION
1	12575101ED	BACK, MACH COMP
2	67001097	COVER, WATER VALVE
3	12479901	PLATE, COVER
4	67001098	COVER, FILL TUBE/PLUG
5	M0238616	SCREW, SM
6	M0251015	SCREW
7	67002306	LABEL, FILL TUBE
8	B5759649	GASKET, MC BACK
9	12583301	CORD, POWER

REF. MTG. MODEL.MBB2256GES

ICE MAKER (OPCIONAL)



REF. MTG. MODEL.MBB2256GES

ICE MAKER (OPCIONAL)

NUMERO	N.DE PARTE	DESCRIPCION
1	95101-1	EJECTOR, ICE
2	95100-1	INLET, WATER
3	95102-1	STRIPPER, ICE
4	95104-1	RETAINER, THERMOSTAT
5	95107-1	BRACKET, MODULE & HEATER
6	95103-1	SUPPORT, MODULE HOUSING
7	95106-1	SCREW
8	A1055105	SPRING, ANTI KINK
9	12638801	VALVE-WATER
10	10463201	ELBOW, FILL TUBE
11	B5705323	TUBE, PLASTIC
12	67001255	PAN, ICE
13	10519807	COVER, ICE MAKER
14	61005508	ICE MAKER ASSY.
15	67001489	HARNESS, ICE MAKER*
16	67001257	ARM, ICE MAKER
17	M0104106	CLIP
18	M0753001	NUT, SLEEVE
19	10549601	LABEL, CAUTION (ICE MAKER)
20	M0108105	CLAMP, TUBE
21	95108-1	SCREW, BRACKET
22	67001258	RETAINER, TUBE
23	M0251015	SCREW
24	A3223101	INSERT, PLASTIC TUBE
25	M0114003	CLIP, SPEED
26	10244904	COUPLING
27	R0131235	ICE MAKER HOOK UP KIT
28	10526701	CLAMP, WIRE
29	M0211018	SCREW, SM
30	67001264	INSTRUCTIONS, INSTALLATION