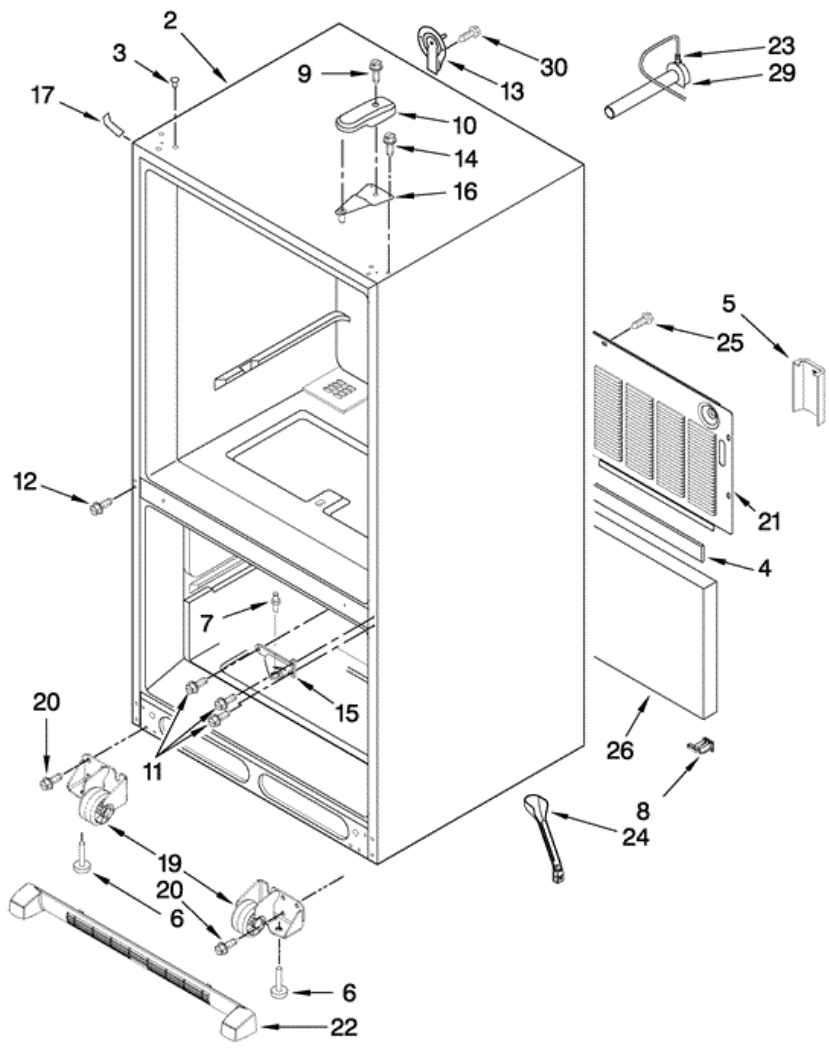


MBF1958WES3 CABINET

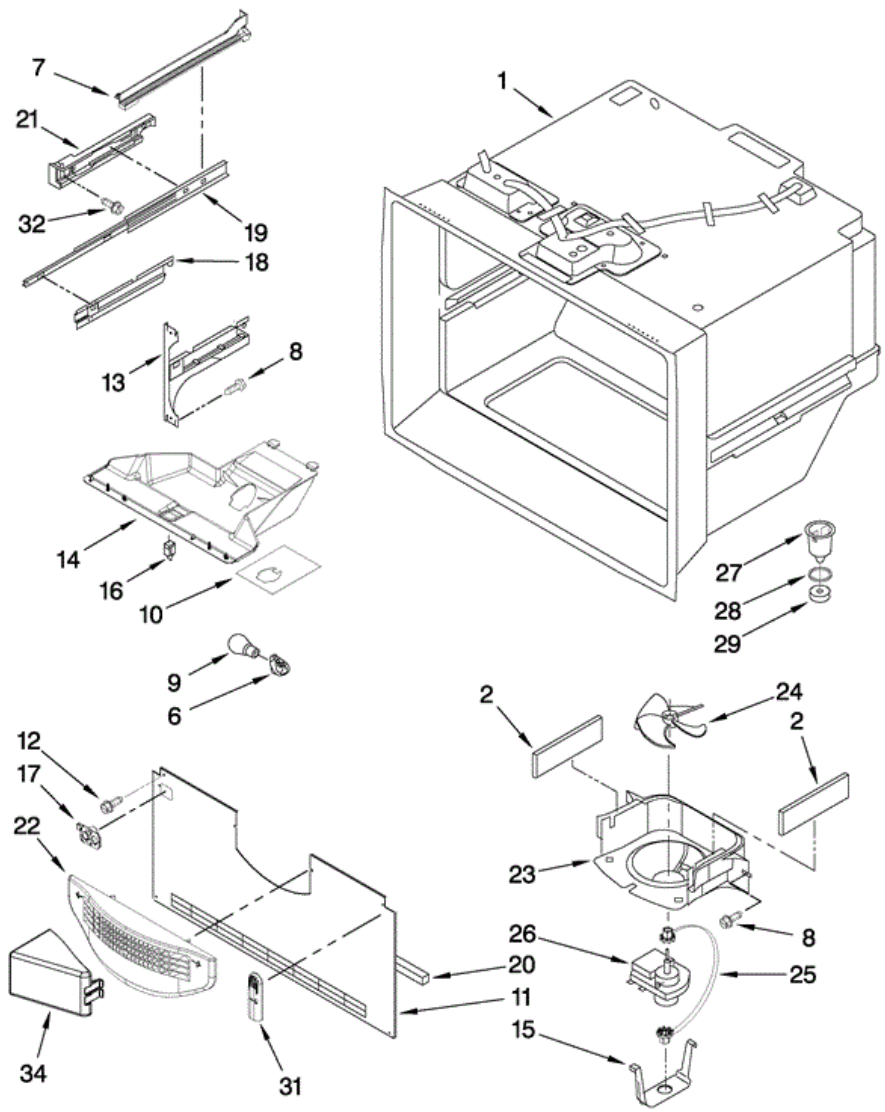




MBF1958WES3 CABINET

2	N/P	CABINET (NOT A SERVICABLE PART)
3	M0310731	PLUG, BUTTON (3) (BLACK)
4	B5759655	GASKET
5	W10208592	GUARD-WATER VALVE
6	W10141622	FOOT, BRAKE
7	10351006	PIN, CENTER HINGE
8	W10216614	SWEEP-WATER VALVE
9	12992602	SCREW
10	12477601B	COVER, HINGE(BLACK)
11	12990101	SCREW
12	12990521	SCREW
13	12726003	COVER, WATERLINE
14	12992403	SCREW (3)
15	12607104ED	HINGE, CENTER (BLACK)
16	12566604ED	HINGE, TOP
17	12587703B	COVER, CORNER (BLACK)
19	W10275849	ROLLER ASSEMBLY (RIGHT)
19	W10275850	ROLLER ASSEMBLY (LEFT)
20	12991302	SCREW (4)
21	W10210978	COVER, UNIT
22	W10236650	GRILLE, TOE (BLACK)
23	M0114003SP	CLIP, SPEED
24	W10210987	TUBE, DRAIN
25	12990511	SCREW
26	12820505	FIBER, ACOUSTIC
29	10463203SP	ELBOW, FILL TUBE
30	12990504	SCREW

MBF1958WES3 FREEZER LINER

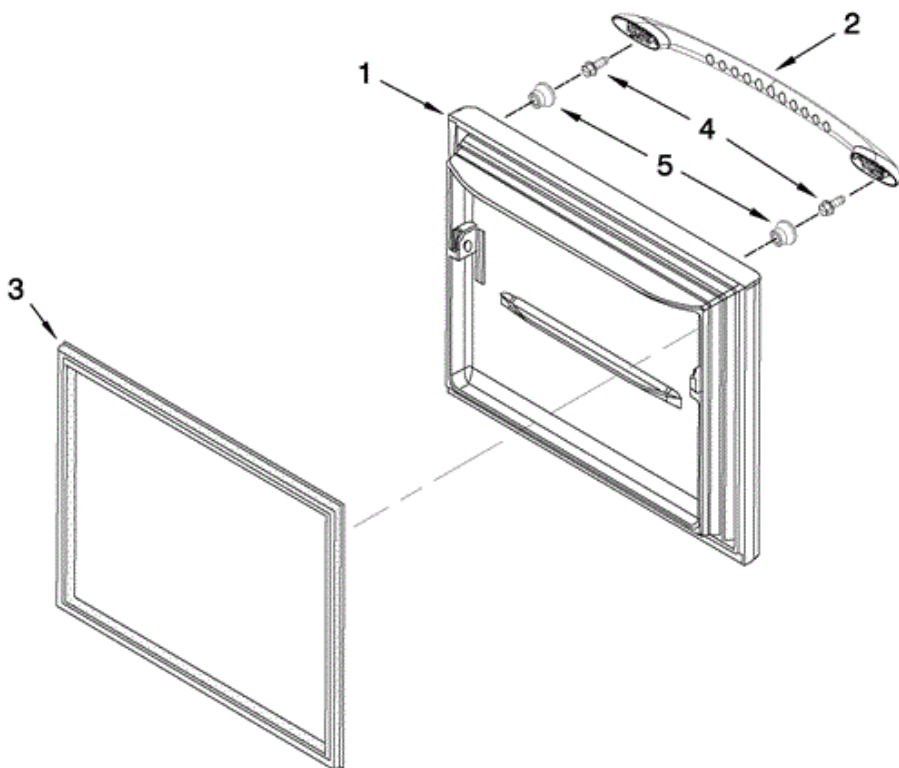




MBF1958WES3 FREEZER LINER

1	N/P	LINER (NOT A SEVICEABLE PART)
2	A3189392	GASKET, FOAM (2)
6	12570701V	SOCKET, LIGHT
7	W10284694	RAIL-SIDE, LEFT
7	W10284695	RAIL-SIDE, RIGHT
8	12990521	SCREW (8)
9	2255743	BULB, LIGHT
10	W10277466	FOIL, HOUSING
11	W10308414	COVER, EVAPORATOR
12	12990101	SCREW (7)
13	W10122147	BRACKET, DOOR (LEFT)
13	W10122148	BRACKET, DOOR (RIGHT)
14	W10277025	MODULE, LIGHT
15	13058002	CLIP, EVAP. MOTOR
16	12466105	SWITCH, LIGHT
17	12932103	GUIDE-FILL TUBE
18	W10280608	CRADLE, BASKET (LEFT)
18	W10280613	CRADLE, BASKET (RIGHT)
19	W10120018	SLIDE, DRAWER (2)
20	A3189397	GASKET, BOTTOM
21	W10149390	ADAPTER, SLIDE (LEFT)
21	W10149391	ADAPTER, SLIDE (RIGHT)
22	13024803	COVER, FAN SHROUD
23	13057901	SHROUD, EVAP.FAN
24	2169142	FAN, EVAPORATOR
25	W10150583	GROMMET-FAN MOTOR
26	13062901	MOTOR, EVAPORATOR
27	D7753903	FUNNEL, DRAIN (INCL. NO. 28 & 29)
28	M0500703	SEAL
29	B8381501	GASKET
31	12815301	COVER, THERMISTOR
32	12990501	SCREW (6)
34	W10157765	DIVERTER, AIR

MBF1958WES3 FREEZER DOOR

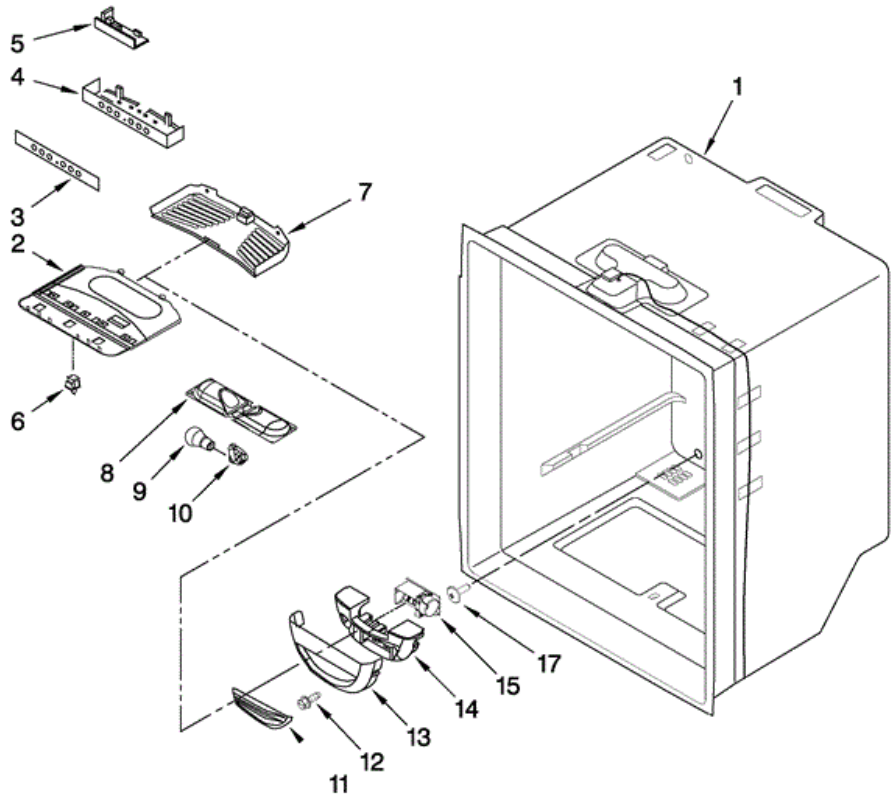




MBF1958WES3 FREEZER DOOR

1	13092272SQ	DOOR, FREEZER (STAINLESS STEEL)
2	W10291144	HANDLE, DOOR (STAINLESS STEEL)
3	W10164033	GASKET, DOOR (BLACK)
4	W10290759	SCREW, HANDLE
5	13001201	MOUNT, HANDLE

**MBF1958WES3 REFRIGERATOR
 LINER**



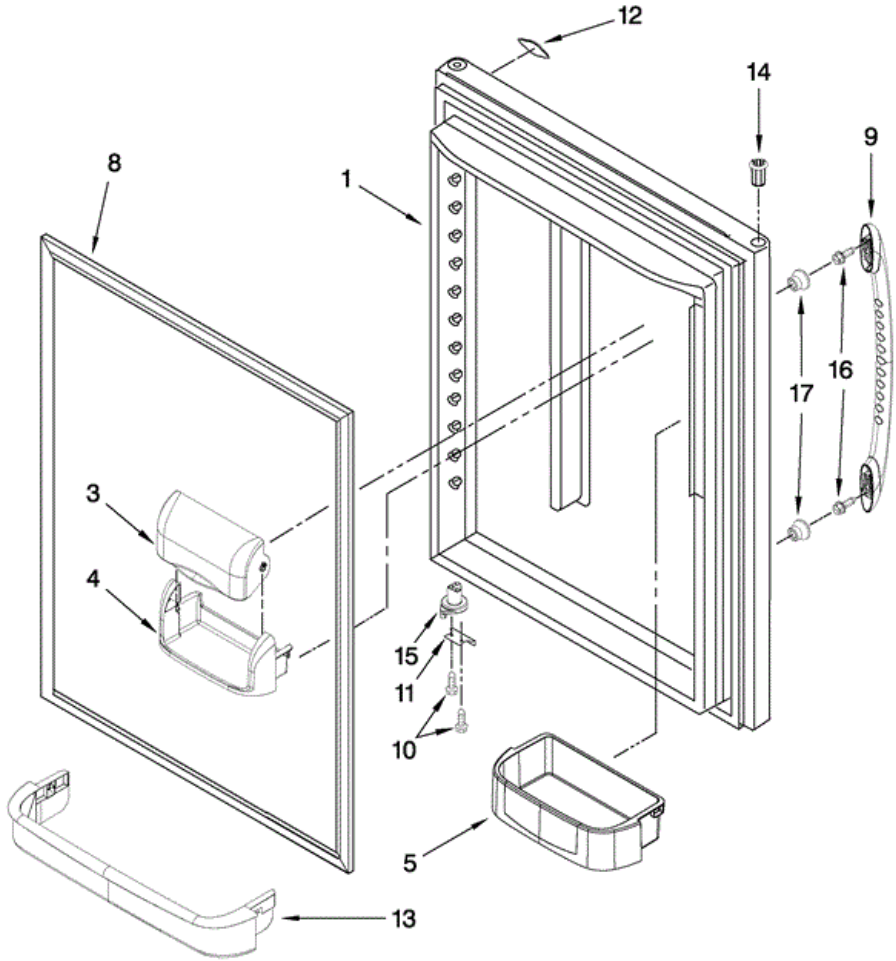


MBF1958WES3 REFRIGERATOR LINER

1	N/P	LINER (NOT A SERVICEABLE PART)
2	12806301	BRACKET, CONTROL AND LIGHTS
3	W10207257	OVERLAY
4	12806406	HOUSING, ELECTRONIC CONTROL
5	12784415V	BOARD, CONTROL
6	C3680310V	SWITCH, LIGHT
7	12806501	COVER, LIGHT
8	12806601V	HOUSING, LIGHT
9	W10194422V	BULB, LIGHT (2)
10	12570701V	SOCKET, LIGHT (2)
11	12806801	INSERT, DAMPER COVER
12	12990604	SCREW (2)
13	12806701	COVER, DAMPER
14	13012402	INSULATION
15	W10196393	CONTROL, DAMPER
17	M0310343	PLUG BUTTON
NI	12868701	HARNES, CONTROLS (REFRIGERATOR)



MBF1958WES3 REFRIGERATOR DOOR

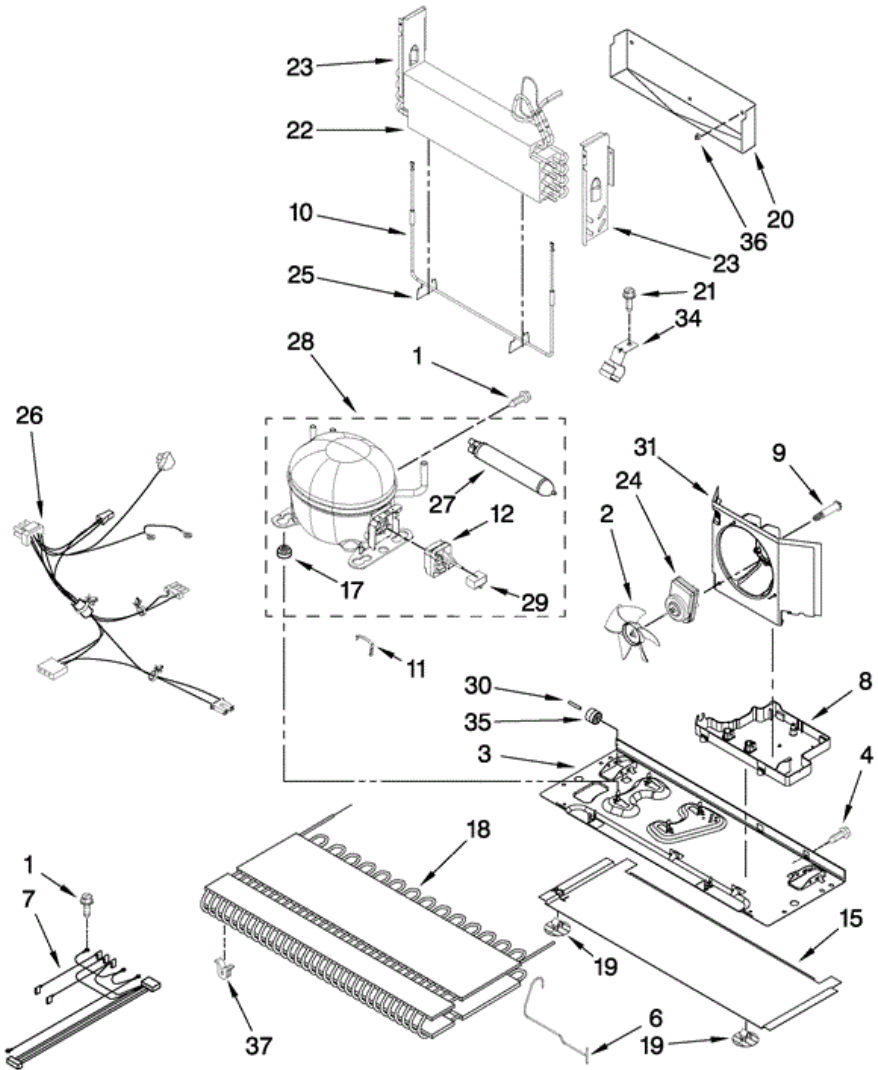




MBF1958WES3 REFRIGERATOR DOOR

1	13107508SQ	DOOR, REFRIGERATOR (STAINLESS STEEL)
3	12804701SP	DOOR, DAIRY
4	12369502SP	TRAY, DAIRY
5	12801901V	BUCKET, SMALL (2)
5	12801902V	BUCKET, MEDIUM (2)
8	W10164031	GASKET, DOOR (BLACK)
9	W10291144	HANDLE, DOOR (STAINLESS STEEL)
10	12990504	SCREW
11	10447112	STOP, DOOR (BLACK)
12	W10170766	NAMEPLATE
13	12557904	RETAINER, REF DOOR
14	10961006B	BUSHING (4) (BLACK)
15	12028505B	CLOSURE, DOOR (BLACK)
16	W10290759	SCREW
17	13001201	MOUNT, HANDLE

MBF1958WES3 UNIT



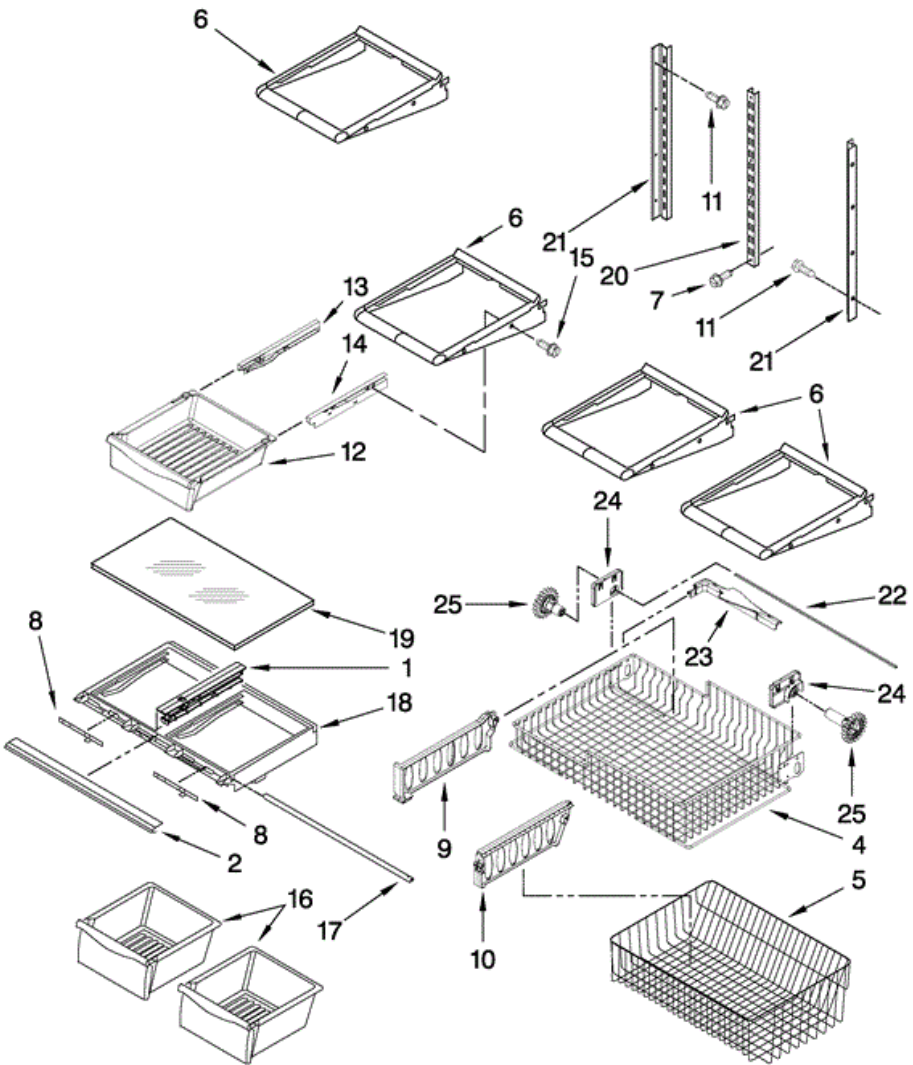


MBF1958WES3 UNIT

1	12992301	SCREW
2	12825803	BLADE, FAN
3	W10210982	BASEPAN
4	12990511	SCREW
6	W10217749	TUBE, DISCHARGE
7	W10290745	HARNESS, EVAP HEATER
8	W10296784	PAN, DRAIN
9	W10216919	SCREW, SHOULDER
10	12729127	EVAPORATOR HEATER
11	W10204187	STRAP, BALE
12	W10136414	START PROTECT, COMBO (SERVICE)
12	W10197428	START PROTECT, COMBO (PRODUCTION)
15	W10206336	EXTENSION, BASEPAN
17	10835903SP	GROMMET (4)
18	W10135028	CONDENSER
19	W10206339	FASTENER, BASEPAN EXTENSION
20	W10292801	TRAY, DRIP
21	12990701	SCREW
22	12726401	EVAPORATOR
23	12225602	DAM (LEFT SIDE)
23	12225702	DAM (RIGHT SIDE)
24	W10239053	MOTOR, FAN
25	10428101	CLIP, HEATER
26	W10234024	HARNESS, UNIT
27	W10143759	DRIER
28	W10134623	COMPRESSOR KIT (CONTAINS ITEMS 12, 17, 27, & 29)
29	2264017	CAPACITOR
30	12477202	AXLE, ROLLER
31	W10189184	SHROUD
34	10547003	CLIP, DRIER
35	12477102	ROLLER (2)
36	10623002	CLIP, EVAP (2)
37	W10137529	GROMMET (4)

NI	876764	VALVE, ACCESS (3/16``)
NI	978025	VALVE, ACCESS (1/4``)
NI	978026	VALVE, ACCESS (5/16``)
NI	978027	VALVE, ACCESS (3/8``)
NI	978028	VALVE, ACCESS (1/2``)
NI	978029	VALVE, ACCESS (5/8``)
NI	978030	VALVE, ACCESS (3/4``)
NI	N/P	REFRIGERANT CHARGE (5.25 OZS. (R-134A))

MBF1958WES3 SHELF

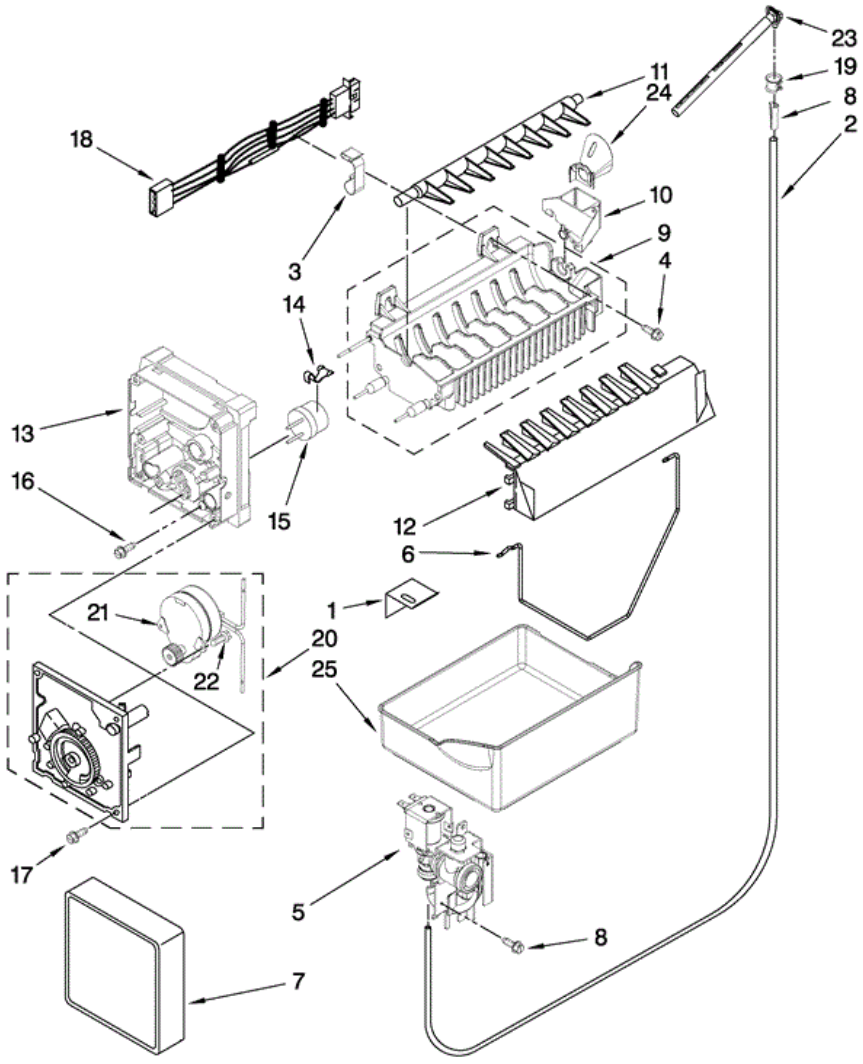




MBF1958WES3 SHELF

1	12530701	RAIL, CENTER CRISPER
2	W10231339	TRIM, CRISPER
4	W10169953	BASKET, FREEZER (UPPER)
5	W10146449	BASKET, FREEZER (LOWER)
6	12463608V	SHELF (4)
7	W10215666	SCREW
8	12530805SP	SLIDE, HUMIDITY CONTROL
9	W10241046	DIVIDER, BASKET (UPPER)
10	W10205416	DIVIDER, BASKET (LOWER)
11	12990513	SCREW
12	12656504SP	PAN, DELI
13	12656601SP	GLIDE, LEFT
14	12656602SP	GLIDE, RIGHT
15	12990302SP	SCREW, GLIDE (4)
16	12531305SP	PAN, CRISPER
17	12227302WD	BRACE, CRISPER
18	12530901SP	FRAME, CRISPER
19	12204823	GLASS, CRISPER COVER
20	W10273463	LADDER, CENTER
21	W10251970	LADDER, SIDE
22	12812906WD	SHAFT, RACK
23	W10149389	LIFT, BAIL ARM
24	W10233898	MOUNT-GEAR (LEFT)
24	W10233899	MOUNT-GEAR (RIGHT)
25	W10146446	GEAR (LONG-RIGHT)
25	W10158749	GEAR (SHORT-LEFT)

MBF1958WES3 ICE MAKER





MBF1958WES3 ICE MAKER

1	2256086	BRACKET, ICE MAKER
2	B5705333SP	TUBE, PLASTIC
3	10526702	CLAMP
4	489276	SCREW
5	W10219716	VALVE-INLET
6	W10202524	ARM-SHUT OFF
7	12582501	COVER, FRONT
8	A3223101SP	INSERT, TUBE
9	W10122527	MOLD & HEATER ASSEMBLY (ALSO ORDER 542638)
10	628515	CUP WATER FILL
11	627843	EJECTOR
12	2182124	ICE STRIPPER
13	2194712	SUPPORT
14	2315522	RETAINER
15	628397	THERMOSTAT ORDER 542369 CEMENT ALUMILASTIC
16	8533917	SCREW
17	489464	SCREW
18	D7813011	HARNESS, ICE MAKER
19	M0114003SP	CLIP, SPEED
20	W10223929	MODULE ASSEMBLY (INCLUDES ITEMS 21 & 22)
21	N/P	MOTOR (NOT AVAILABLE, ORDER NO.20)
22	489136	SCREW
23	10463203SP	ELBOW, FILL TUBE
24	12918001	FUNNEL, FILL TUBE
25	W10171529K	PAN, ICE
100	W10190978	COMPLETE ICE MAKER