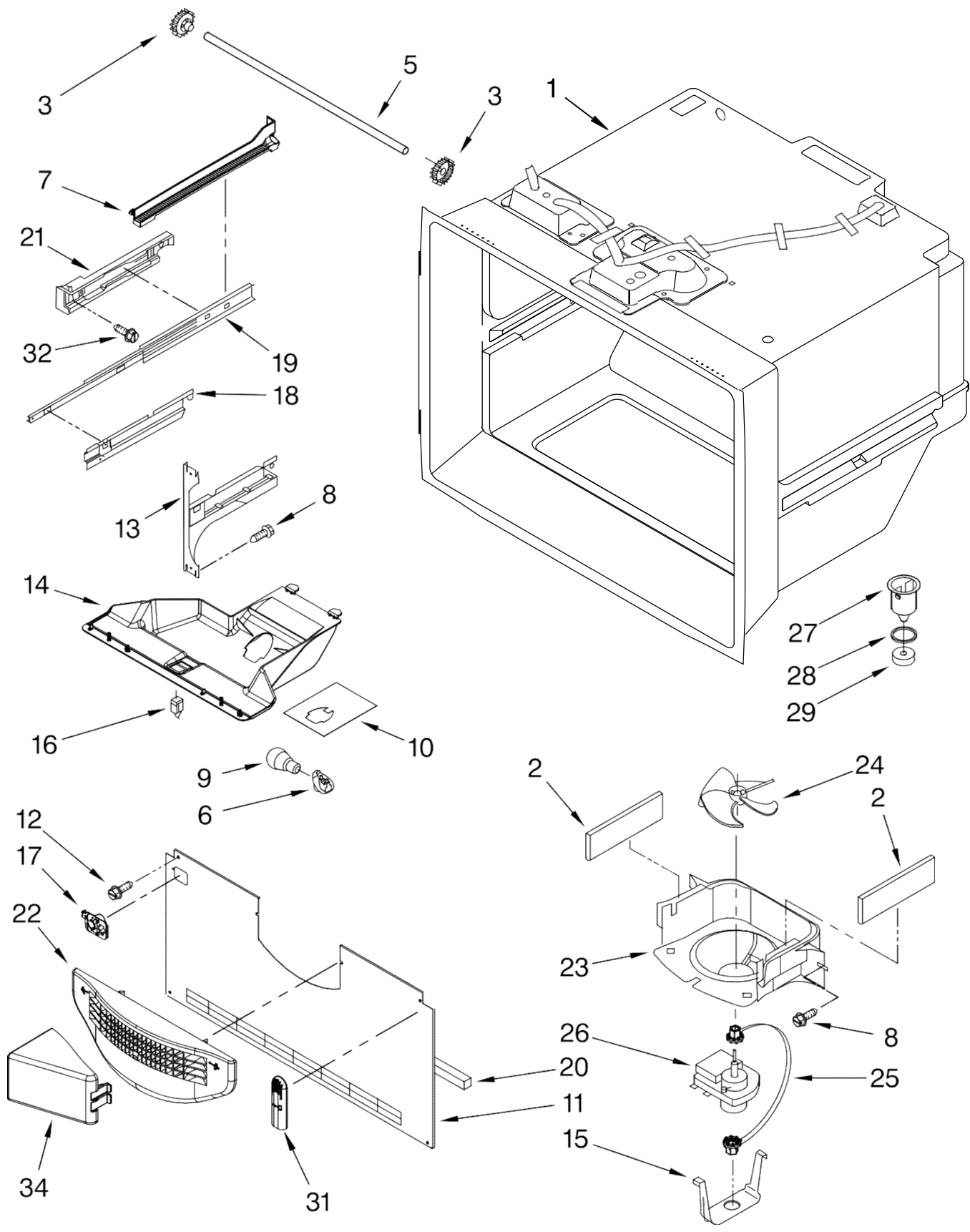


FOR ORDERING INFORMATION REFER TO PARTS PRICE LIST



Refrigerador Maytag MBF1958XES0

Illus. No.	Part No.	DESCRIPTION
1		Literature Parts W10208789 Use & CareGuide W10258248 Energy Guide W10308623 Tech Sheet
2		Cabinet (Not a Servicable Part)
3		Plug, Button (3) M0310729 White M0310731 Black M0310738 Bisque
4		B5759655 Gasket
5		W10208592 Guard, Water Valve
6		W10141622 Foot, Brake
7		10351006 Pin, Center Hinge
8		W10216614 Sweep, WaterValve
9		12992602 Screw
10		Cover, Hinge 12477601W White 12477601B Black 12477601C Bisque
11		12990101 Screw
12		12990521 Screw
13		12726003 Cover, Water Line
14		12992403 Screw (3)
15		Hinge, Center 12607103WD White 12607104ED Black
16		12566606ED Hinge, Top
17		Cover, Corner 12587703W White 12587703B Black 12587703C Bisque
19		Roller Assembly W10275850 Left W10275849 Right
20		12991302 Screw (4)
21		W10210978 Cover, Unit
22		Grille, Toe W10236649 White W10236650 Black W10236651 Bisque
23		M0114003SP Clip, Speed
24		W10210987 Tube, Drain
25		12990511 Screw
26		12820505 Fiber, Acoustic
28		M0108107 Clamp-Tube
29		10463203SP Elbow, Fill Tube
30		12990504 Screw

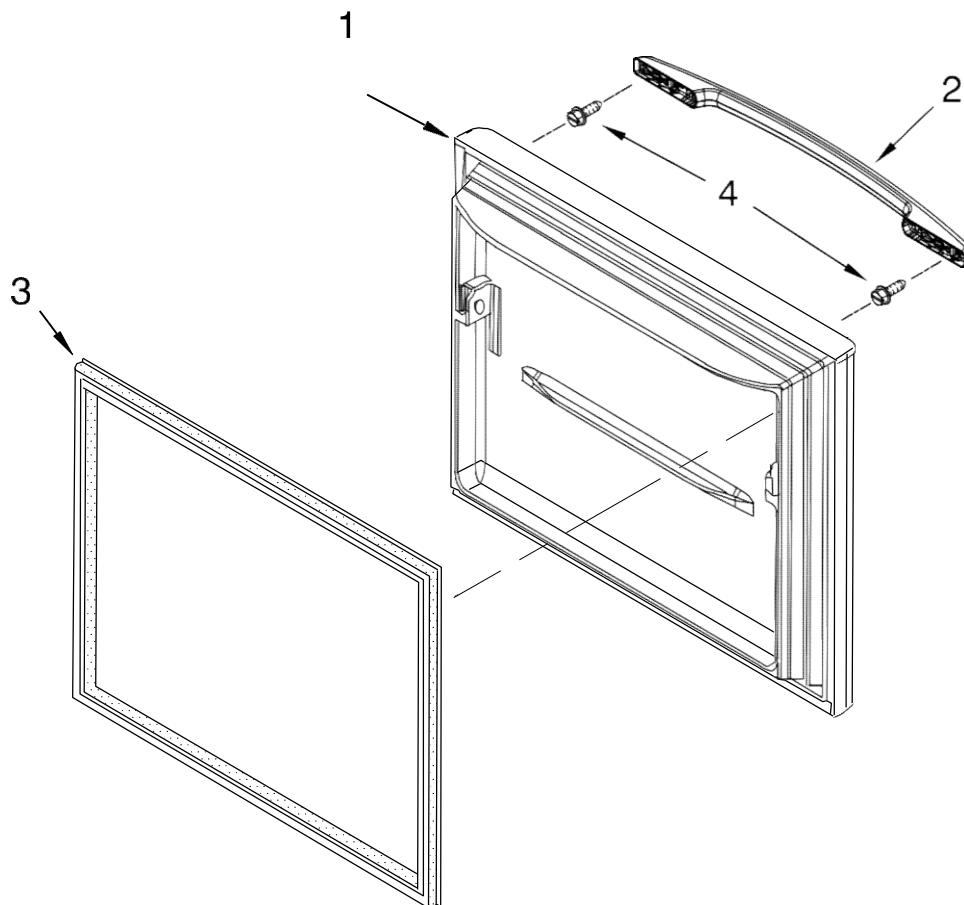


FOR ORDERING INFORMATION REFER TO PARTS PRICE LIST



Refrigerador Maytag MBF1958XES0

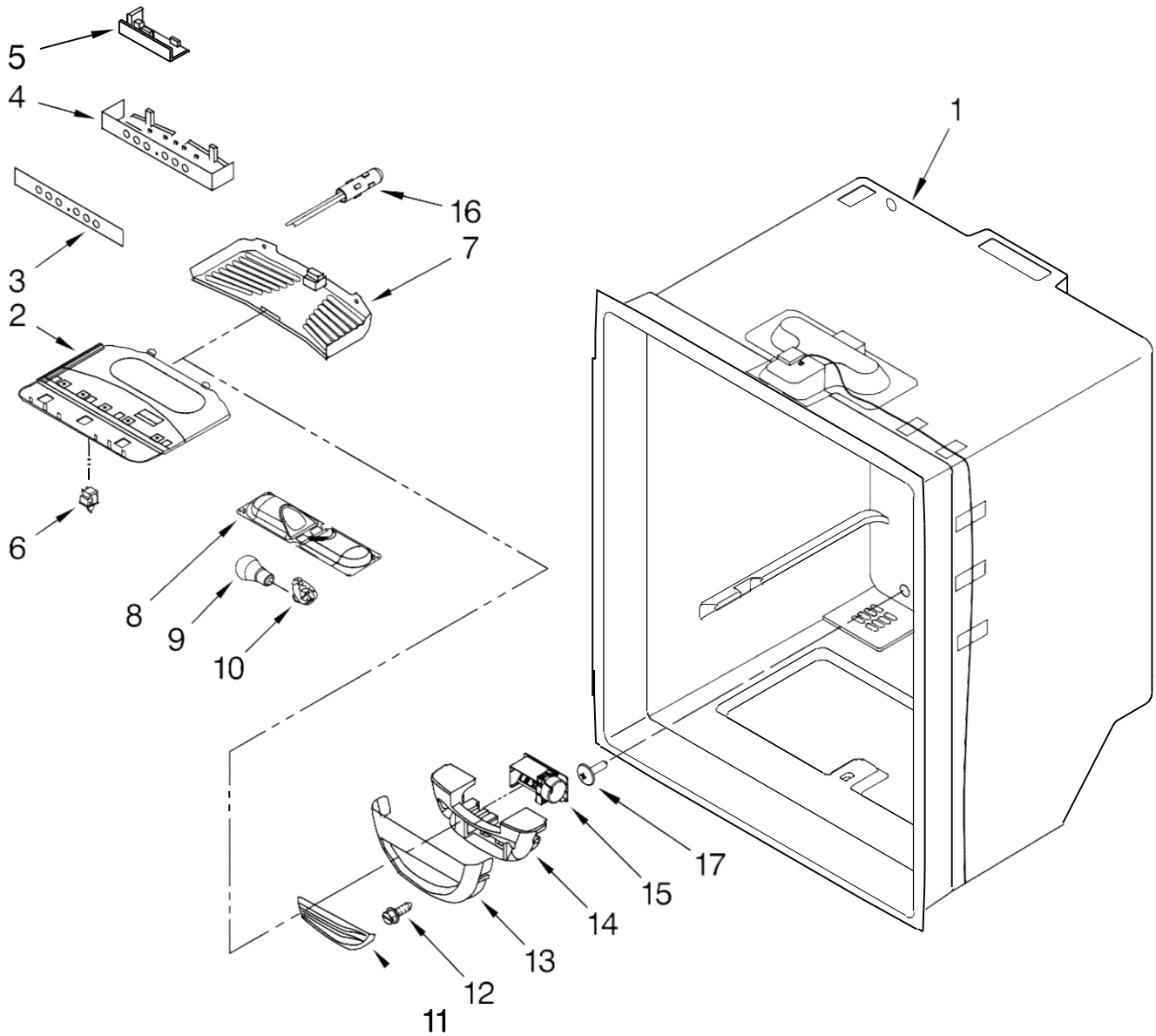
Illus. No.	Part No.	DESCRIPTION
1		Liner (Not A Serviceable Part)
2	A3189392	Gasket, Foam (2)
3	12002497	Gear-(L & R)
5	12812901WD	Shaft-Rack
6	12570701V	Socket, Light
7		Rail-Side
	W10284694	Left
	W10284695	Right
8	12990521	Screw (8)
9	2255743N	Bulb, Light
10	W10277466	Foil-FZ Light
11	W10308414	Cover, Evaporator
12	12990101	Screw (7)
13		Bracket, Door
	W10122147	Left
	W10122148	Right
14	W10277025	Module-FZ Light
15	13058002	Clip, Evap. Motor
16	12466105	Switch, Light
17	12932103	Guide-Fill Tube
18		Cradle-Basket
	W10280608	Left
	W10280613	Right
19	W10120018	Slide, Drawer (2)
20	A3189397	Gasket, Bottom
21		Adapter, Slide
	W10284684	Left
	W10284685	Right
22	13024803	Cover, Fan Shroud
23	13057901	Shroud, Evap.Fan
24	2169142	Fan, Evaporator
25	W10150583	Grommet-Fan Motor
26	13062901	Motor, Evaporator
27	D7753903	Funnel, Drain (Incl. # 28 & 29)
28	M0500703	Seal
29	B8381501	Gasket
31	12815301	Cover, Thermistor
32	12990501	Screw (6)
34	W10157765	Diverter, Air



Illus. No.	Part No.	DESCRIPTION
------------	----------	-------------

1	Door, Freezer 13092229W White 13092229B Black 13092272S Stainless Steel 13092229Q Bisque
2	Handle, Door W10252284N White W10252285N Black W10252288N Stainless Steel W10252287N Bisque
3	Gasket, Door W10164032 White W10164033 Black
4	12992902 Screw, Handle

Refrigerador Maytag MBF1958XES0



Illus. No.	Part No.	DESCRIPTION
1		Liner (Not A Serviceable Part)
2	12806301	Bracket, Control and Lights
3	W10207257	Overlay
4	12806406	Housing, Electronic Control
5	12784415V	Board, Control
6	C3680310V	Switch, Light

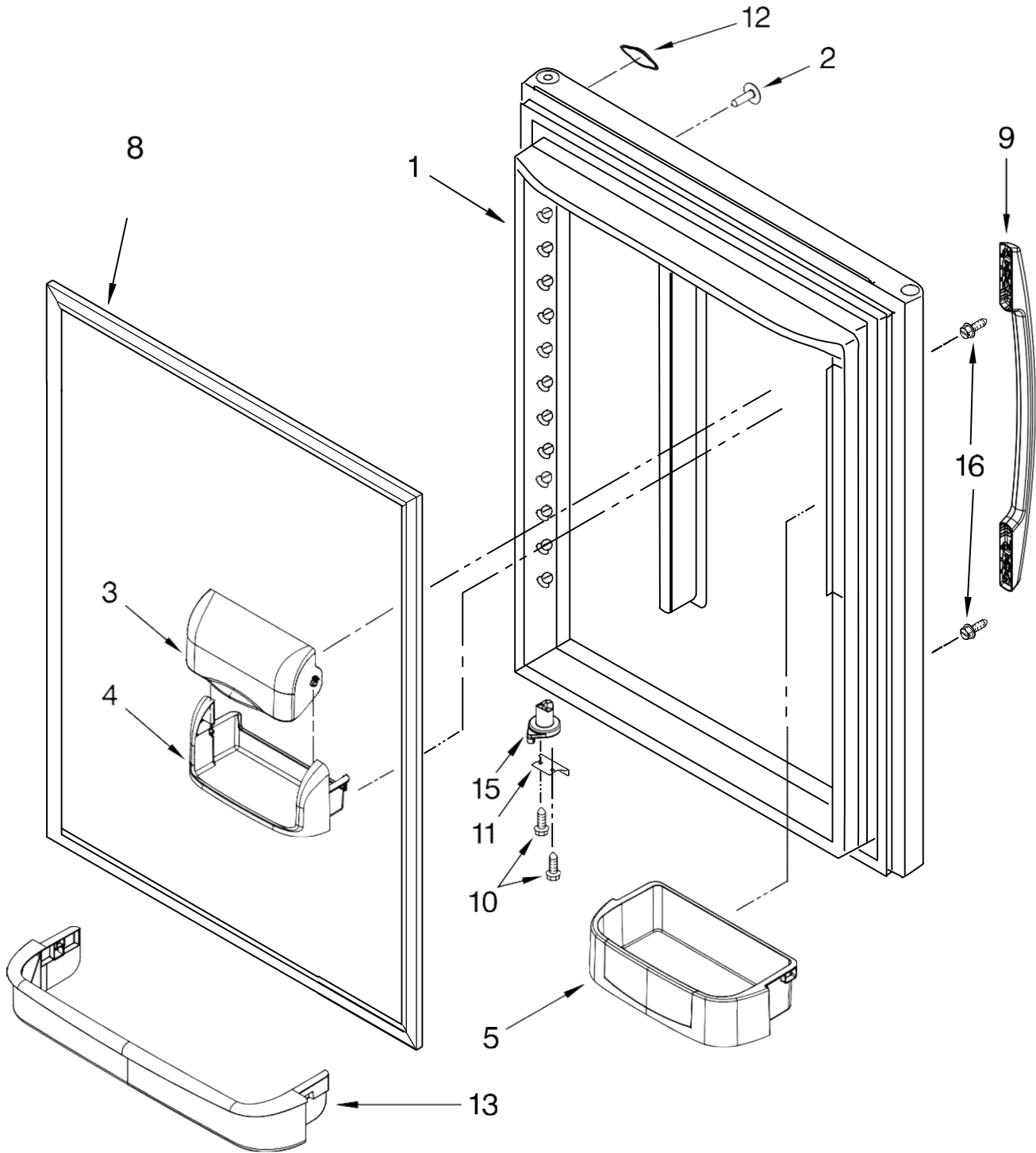
Illus. No.	Part No.	DESCRIPTION
7	12806501	Cover, Light
8	12806601V	Housing, Light
9	2255743N	Bulb, Light (2)
10	12570701V	Socket, Light (2)
11	12806801	Insert, Damper Cover
12	12990604	Screw (2)
13	12806701	Cover, Damper
14	13012402	Insulation

Illus. No.	Part No.	DESCRIPTION
15	W10196393	Control, Damper
16	12002355	Thermistor
17	M0310343	Plug Button

Following Parts Not Illustrated

12868701 Harness, Controls (Refrigerator) (Includes # 16)

FOR ORDERING INFORMATION REFER TO PARTS PRICE LIST



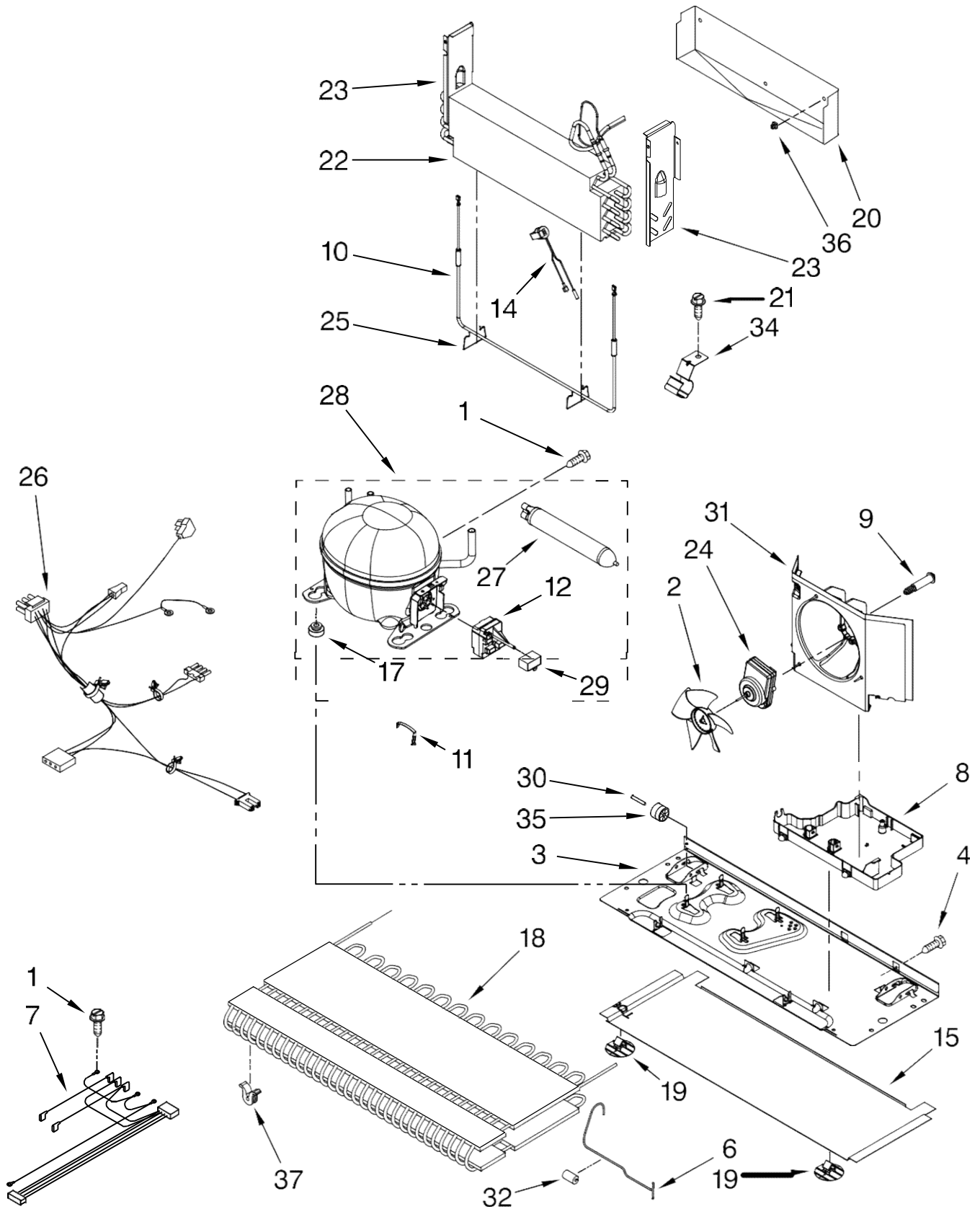
FOR ORDERING INFORMATION REFER TO PARTS PRICE LIST



Refrigerador Maytag MBF1958XESO

Illus. No.	Part No.	DESCRIPTION
1		Door, Refrigerator
	12658573W	White
	12658573B	Black
	13107508S	Stainless Steel
2	12658573Q	Bisque
		Plug-Button
	12246607	White
	12246608	Black
	12246610	Stainless
3	12804701SP	Door, Dairy
	12369502SP	Tray, Dairy
5	12801902V	Bucket, Medium (2)
	12801901V	Bucket-Small (2)
8		Gasket, Door
	W10164030	White
	W10164031	Black
9		Handle, Door
	W10252284N	White
	W10252285N	Black
	W10252288N	Stainless Steel
	W10252287N	Bisque
10	12990504	Screw
11		Stop, Door
	10447111	White
	10447112	Black
	10447113	Bisque
12	W10170766	Nameplate
13	12557904	Retainer, Ref Door
15		Closure, Door
	12028505W	White
	12028505B	Black
16	12992902	Screw

Refrigerador Maytag MBF1958XES0



FOR ORDERING INFORMATION REFER TO PARTS PRICE LIST



Refrigerador Maytag MBF1958XES0

Illus. No.	Part No.	DESCRIPTION
1	12992301	Screw
2	12825803	Blade, Fan
3	W10210982	Basepan
4	12990511	Screw
6	W10217749	Tube, Discharge
7	W10290745	Harness, Evap Heater
8	W10296784	Pan, Drain
9	W10216919	Screw, Shoulder
10	12729127	Evaporator Heater
11	W10204187	Strap, Bale
12		Start Protect, Combo
	W10197428	Production
	W10136414	Service
14	12639324SP	Thermostat, Defrost
15	W10206336	Extension, Basepan
17	10835903SP	Grommet (4)
18	W10135028	Condenser
19	W10206339	Fastener, Basepan Extension

Illus. No.	Part No.	DESCRIPTION
20	W10292801	Tray, Drip
21	12990701	Screw
22	12726401	Evaporator
23		Dam
	12225702	Right Side
	12225602	Left Side
24	W10239053	Motor, Fan
25	10428101	Clip, Heater
26	W10234024	Harness, Unit
27	W10143759	Drier
28	W10134623	Compressor Kit (Contains Items 12, 17, 27, & 29)
29	2264017	Capacitor
30	12477202	Axle, Roller
31	W10189184	Shroud
32	2319835	Grommet-Condenser
34	W10281329	Clip, Drier
35	12477102	Roller (2)
36	10623002	Clip, Evap (2)
37	W10137529	Grommet (4)

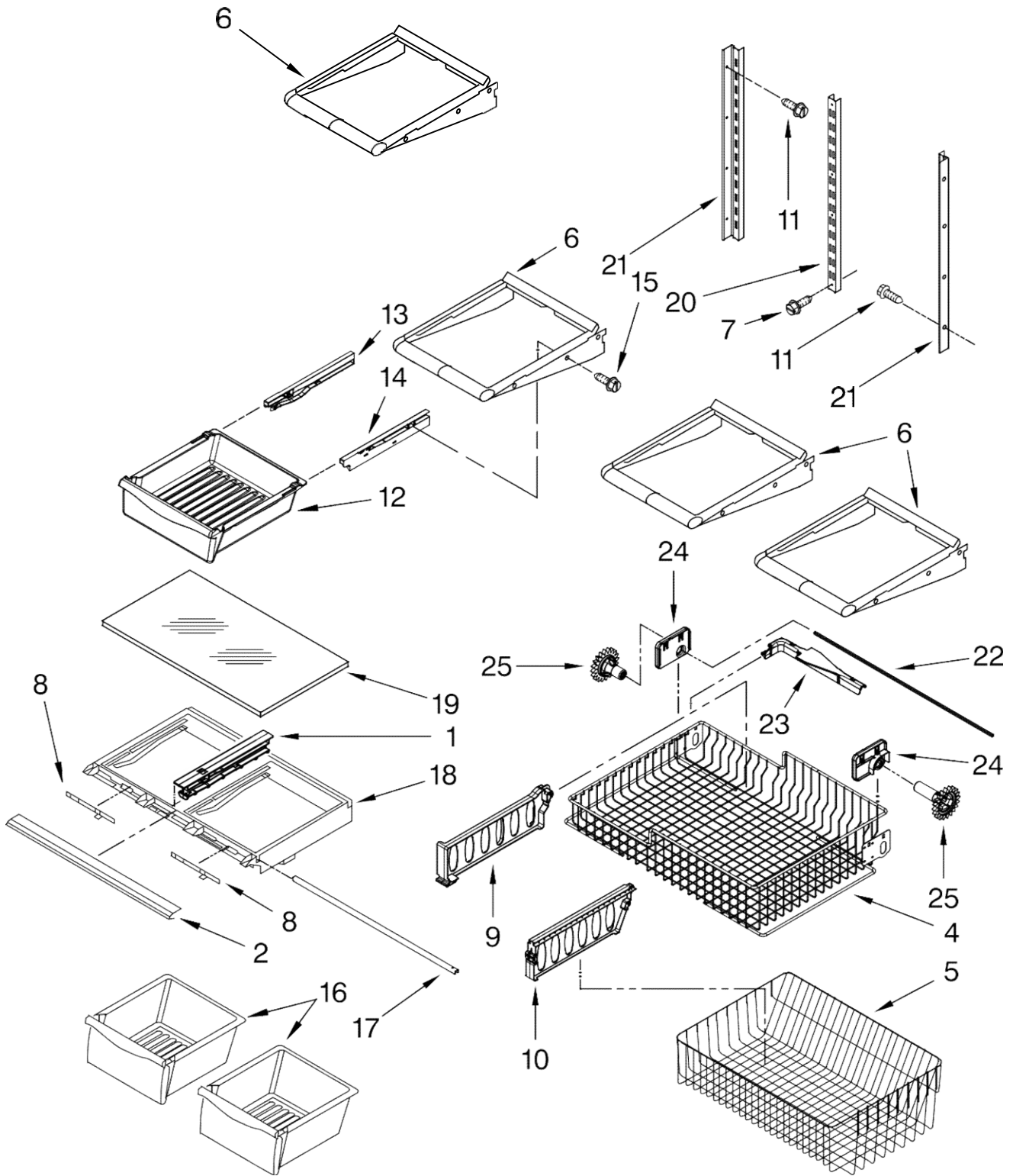
Illus. No.	Part No.	DESCRIPTION
------------	----------	-------------

Following Parts Not Illustrated and
Optional Parts Not Included

978025	Valve, Access (1/4")
978026	Valve, Access (5/16")
978027	Valve, Access (3/8")
978028	Valve, Access (1/2")
978029	Valve, Access (5/8")
978030	Valve, Access (3/4")
876764	Valve, Access (3/16")

REFRIGERANT CHARGE

5.25 Ozs.
(R-134A)



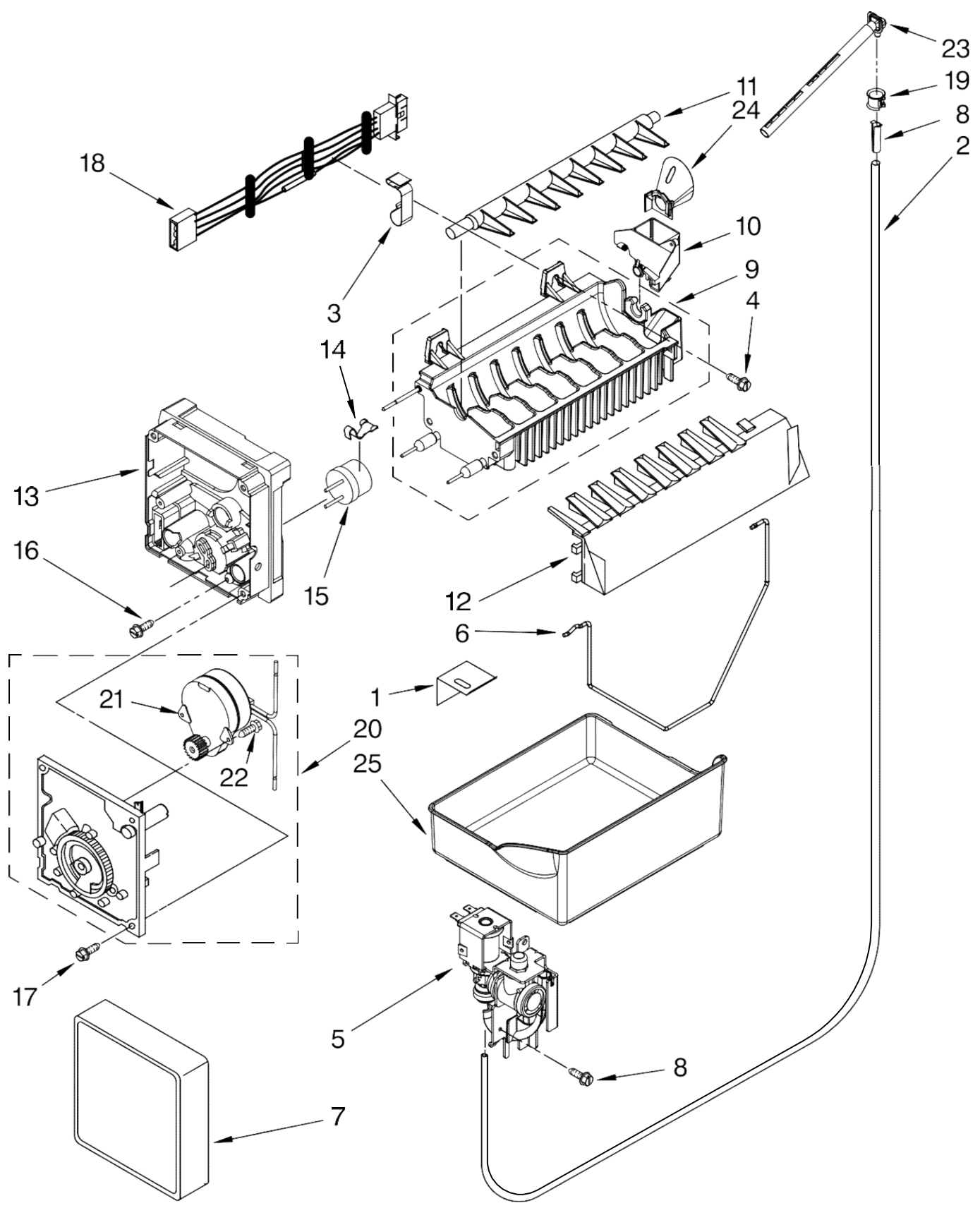
FOR ORDERING INFORMATION REFER TO PARTS PRICE LIST



Refrigerador Maytag MBF1958XES0

Illus. No.	Part No.	DESCRIPTION
1	12530701N	Rail, Center Crisper
2	W10231339	Trim, Crisper
4	W10169953	Basket, Freezer (Upper)
5	W10146449	Basket, Freezer (Lower)
6	12463608	Shelf
7	W10215666	Screw
8	12530805SP	Slide, Humidity Control
9	W10241046	Divider, Basket (Upper)
10	W10205416	Divider, Basket (Lower)
11	12990513	Screw
12	12656504V	Pan, Deli
13	12656601V	Glide, Left
14	12656602V	Glide, Right
15	12990302SP	Screw, Glide (4)
16	12531305SP	Pan, Crisper
17	12227302WD	Brace, Crisper
18	12530901SP	Frame, Crisper
19	12204823N	Glass, Crisper Cover
20	W10273463	Ladder, Center
21	W10251970	Ladder, Side
22	12812906WD	Shaft-Rack
23	W10149389N	Lift-Bail Arm
24		Mount-Gear
	W10233899	Right
	W10233898	Left
25		Gear
	W10146446	Long-Right
	W10158749	Short-Left

Refrigerador Maytag MBF1958XES0



FOR ORDERING INFORMATION REFER TO PARTS PRICE LIST



Refrigerador Maytag MBF1958XESO

Illus. No.	Part No.	DESCRIPTION
1	2256086	Bracket, Ice Maker
2	B5705333SP	Tube, Plastic
3	10526702	Clamp
4	489276	Screw
5	W10219716	Valve-Inlet
6	W10202524	Arm-Shut Off
7	12582501	Cover, Front
8	A3223101SP	Insert, Tube
9	W10122527	Mold & Heater Assembly (Also Order 542638)
10	628515	Cup Water fill
11	627843	Ejector
12	2182124	Ice Stripper
13	2194712	Support
14	2315522	Retainer
15	628397	Thermostat Order 542369 Cement Alumilastic)
16	8533917	Screw
17	489464	Screw
18	D7813011	Harness, Ice Maker
19	M0114003SP	Clip, Speed
20	W10223929	Module Assembly (Includes Items 21 & 22)
21		Motor (Not Available, Order #20)
22	489136	Screw
23	10463203SP	Elbow, Fill Tube
24	12918001	Funnel, Fill Tube
25	W10171529K	Pan, Ice
100	W10190978	Complete Ice Maker

OPTIOAL PARTS

For Models: MBF1958XEW0, MBF1958XEB0, MBF1958XES0, MBF1958XEQ0
(White) (Black) (Stainless Steel) (Bisque)

Illus. Part No. No. DESCRIPTION	Illus. Part No. No. DESCRIPTION	Illus. Part No. No. DESCRIPTION
<p><u>PAINT, TOUCH-UP (1/2oz.)</u></p> <p style="padding-left: 40px;">72017 White 72032 Black 4392901 Biscuit</p>	<p><u>PAINT, BULK (1 qt.)</u></p> <p style="padding-left: 40px;">799344 White (Uncut) 799344 Black (Uncut) 4392900 Biscuit (Uncut)</p>	<p><u>TORX SCREW WRENCH</u></p> <p style="padding-left: 40px;">1117510 Torx Key</p>
<p><u>PAINT, PRESSURIZED SPRAY</u> <u>(12 oz.)</u></p> <p style="padding-left: 40px;">*350942 Primer, White *350930 White *350939 Black *4392901 Biscuit</p> <p style="padding-left: 20px;">*Important: The spray paint is not to be used where the paint may make contact with the door gaskets.</p>	<p><u>Miscellaneous</u></p> <p style="padding-left: 40px;">212643 Sealer, Gum (4 Feet) 479502 Tape, Vinyl (3/4 x 108") 505587 Sealer, Mastic (1 Qt.) 503695 Cork, Sealer (1/4 Pound) 542638 Grease, Silicone (1/2 Oz.) 542639 Cement, Alumilastic (1-1/4 Oz.) 799833 Kit, Evaporator Repair (Aluminum Epoxy) 833938 Kit, Terminal Connector</p>	<p><u>ACCESSORIES</u></p> <p style="padding-left: 40px;">31462 Cleaner, 10 oz. Stainless Steel</p>

FOR ORDERING INFORMATION REFER TO PARTS PRICE LIST