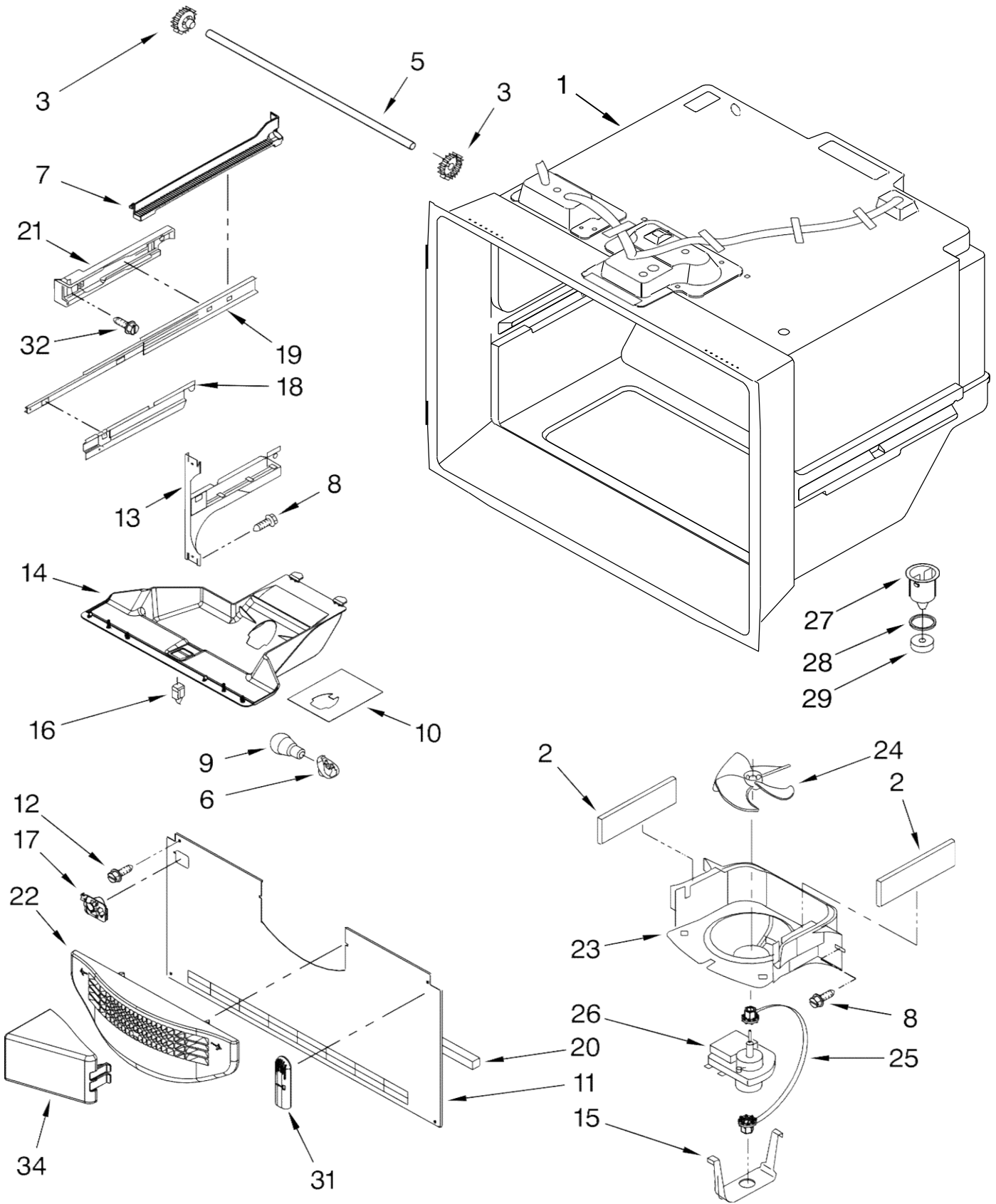


FOR ORDERING INFORMATION REFER TO PARTS PRICE LIST



Refrigerador Maytag MBF1958XES2

Illus. No.	Part No.	DESCRIPTION
1		Literature Parts
	W10366206	Use & Care Guide
	W10325960	Energy Guide
	W10322959	Tech Sheet
2		Cabinet (Not a Servicable Part)
4	B5759655	Gasket
5	W10208592	Guard, Water Valve
6	W10141622	Foot, Brake
7	10351006	Pin, Center Hinge
8	W10216614	Sweep, Water Valve
9	12992602	Screw
10		Cover, Hinge
	12477601W	White
	12477601B	Black
	12477601C	Bisque
11	12990101	Screw
12	12990521	Screw
13	12726003	Cover, Water Line
14	12992403	Screw (3)
15		Hinge, Center
	12607103WD	White
	12607104ED	Black
16	12566606ED	Hinge, Top
17		Cover, Corner
	12587703W	White
	12587703B	Black
	12587703C	Bisque
19		Roller Assembly
	W10275850	Left
	W10275849	Right
20	12991302	Screw (4)
21	W10210978	Cover, Unit
22		Grille, Toe
	W10236649	White
	W10236650	Black
	W10236651	Bisque
23	M0114003SP	Clip, Speed
24	W10210987	Tube, Drain
25	12990511	Screw
26	12820505	Fiber, Acoustic
28	M0108107	Clamp-Tube
29	10463203SP	Elbow, Fill Tube
30	12990504	Screw

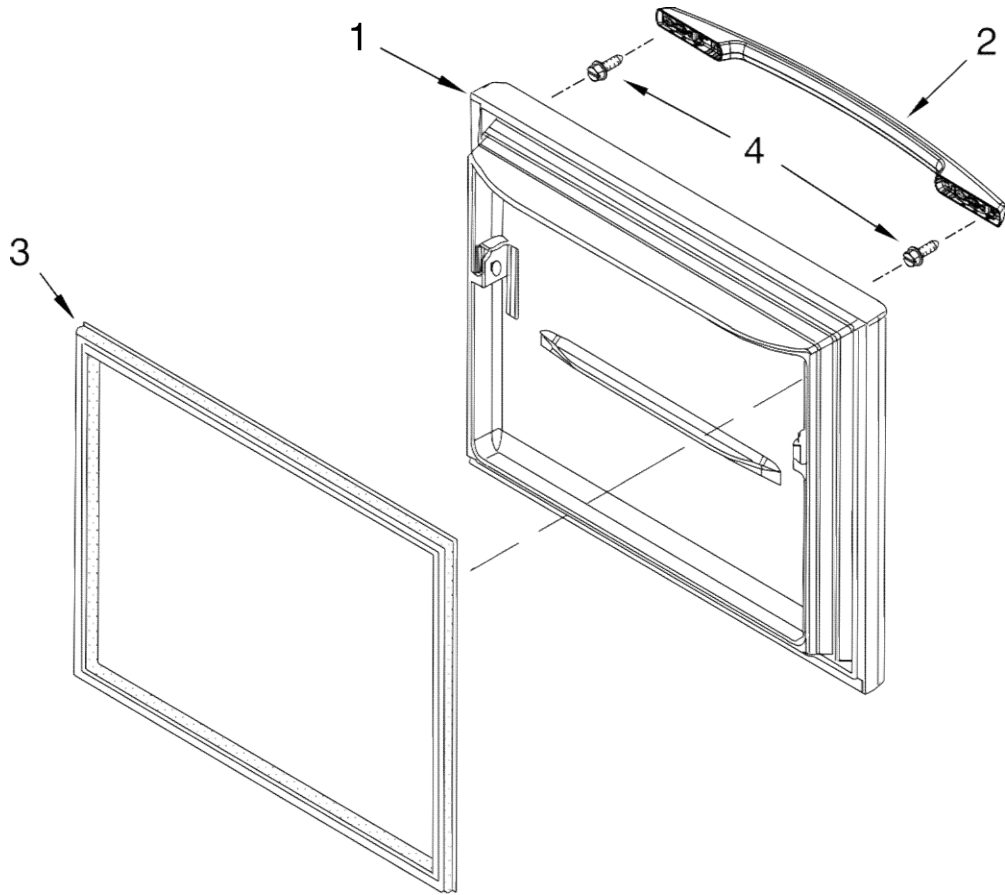


FOR ORDERING INFORMATION REFER TO PARTS PRICE LIST



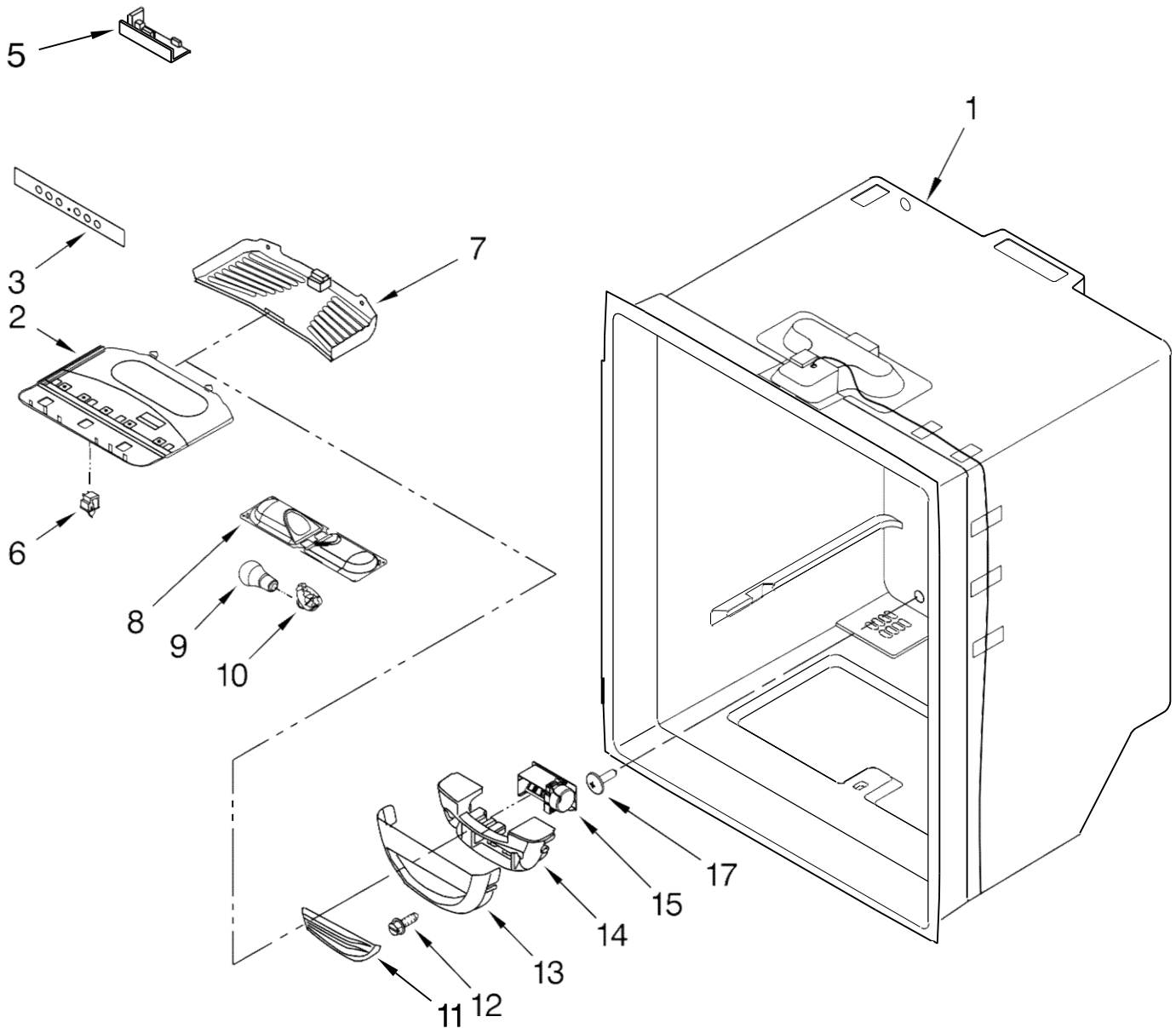
Refrigerador Maytag MBF1958XES2

Illus. No.	Part No.	DESCRIPTION
1		Liner (Not A Seviceable Part)
2	A3189392	Gasket, Foam (2)
3	12002497	Gear-(L & R)
5	12812901WD	Shaft-Rack
6	12570701V	Socket, Light
7		Rail-Side
	W10284694	Left
	W10284695	Right
8	12990521	Screw (8)
9	2255743N	Bulb, Light
10	W10277466	Foil-FZ Light
11	W10308414	Cover, Evaporator
12	12990101	Screw (7)
13		Bracket, Door
	W10330994	Left
	W10330995	Right
14	W10277025	Module-FZ Light
15	13058002	Clip, Evap. Motor
16	12466105	Switch, Light
17	12932103	Guide-Fill Tube
18		Cradle-Basket
	W10280608	Left
	W10280613	Right
19	W10120018	Slide, Drawer(2)
20	A3189397	Gasket, Bottom
21		Adapter, Slide
	W10284684	Left
	W10284685	Right
22	13024803	Cover, Fan Shroud
23	13057901	Shroud, Evap.Fan
24	2169142	Fan, Evaporator
25	W10150583	Grommet-Fan Motor
26	13062901	Motor, Evaporator
27	D7753903	Funnel, Drain (Incl. # 28 & 29)
28	M0500703	Seal
29	B8381501	Gasket
31	12815301	Cover, Thermistor
32	12990501	Screw (6)
34	W10157765	Diverter, Air



Illus. No.	Part No.	DESCRIPTION
1		Door, Freezer 13092229W White 13092229B Black 13092272S Stainless Steel 13092229Q Bisque
2		Handle, Door W10252284N White W10252285N Black W10252288N Stainless Steel W10252287N Bisque
3		Gasket, Door W10164032 White W10164033 Black
4		12992902 Screw, Handle

Refrigerador Maytag MBF1958XES2

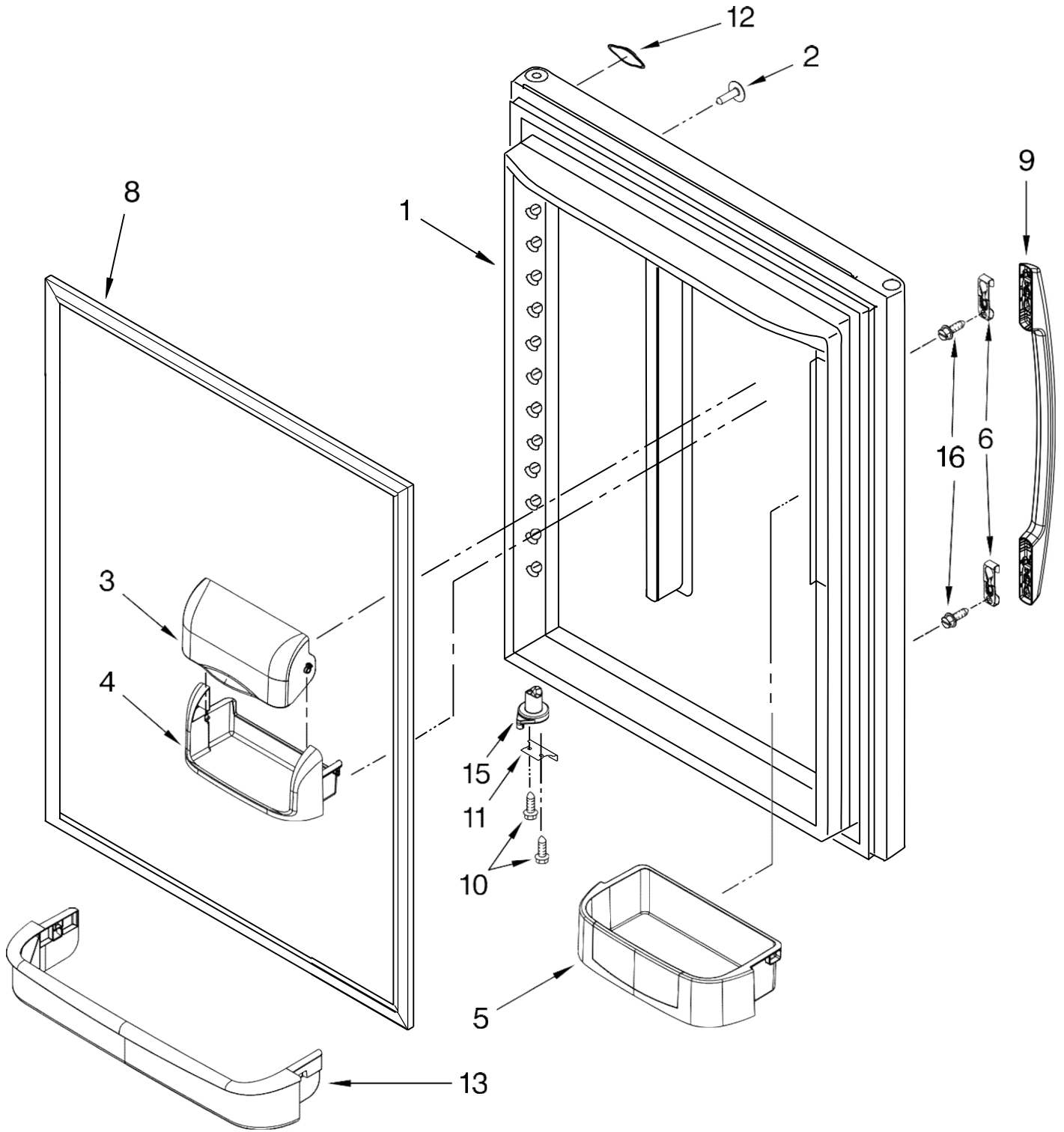


Illus. No.	Part No.	DESCRIPTION
1		Liner (Not A Serviceable Part)
2	12806301	Bracket, Control and Lights
3	W10207257	Overlay
5	12784415V	Board, Control
6	C3680310V	Switch, Light
7	12806501	Cover, Light

Illus. No.	Part No.	DESCRIPTION
8	W10368228	Housing, Light
9	2255743N	Bulb, Light (2)
10	12570701V	Socket, Light (2)
11	12806801	Insert, Damper Cover
12	12990604	Screw (2)
13	12806701	Cover, Damper
14	13012402	Insulation

Illus. No.	Part No.	DESCRIPTION
15	W10196393	Control, Damper
17	M0310343	Plug Button
<hr/>		
Following Parts Not Illustrated		
12868701 Harness, Controls (Refrigerator) (Includes # 16)		

FOR ORDERING INFORMATION REFER TO PARTS PRICE LIST



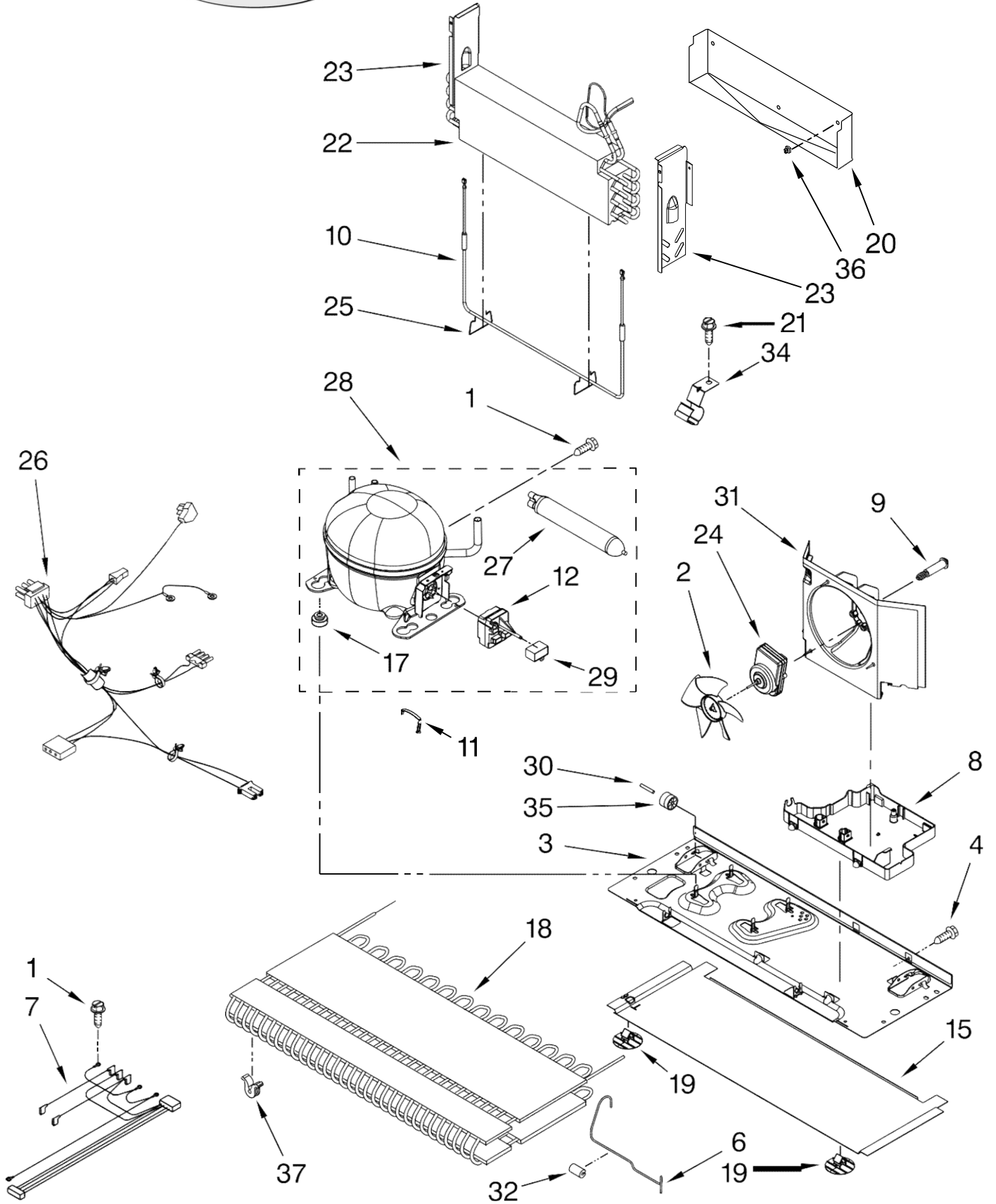
FOR ORDERING INFORMATION REFER TO PARTS PRICE LIST



Refrigerador Maytag MBF1958XES2

Illus. No.	Part No.	DESCRIPTION
1		Door, Refrigerator
	12658573W	White
	12658573B	Black
	13107508S	Stainless Steel
	12658573Q	Bisque
2		Plug-Button
	12246607	White
	12246608	Black
	12246610	Stainless
	12246609	Bisque
3	12804701SP	Door, Dairy
4	12369502SP	Tray, Dairy
5	12801902V	Bucket, Medium (2)
	12801901V	Bucket-Small (2)
6	2255411	Clip, Handle
8		Gasket, Door
	W10164030	White
	W10164031	Black
9		Handle, Door
	W10252284N	White
	W10252285N	Black
	W10252288N	Stainless Steel
	W10252287N	Bisque
10	12990504	Screw
11		Stop, Door
	10447111	White
	10447112	Black
	10447113	Bisque
12	W10170766	Nameplate
13	12557904	Retainer, Ref Door
15		Closure, Door
	12028505W	White
	12028505B	Black
16	12992902	Screw

Refrigerador Maytag MBF1958XES2



FOR ORDERING INFORMATION REFER TO PARTS PRICE LIST



Refrigerador Maytag MBF1958XES2

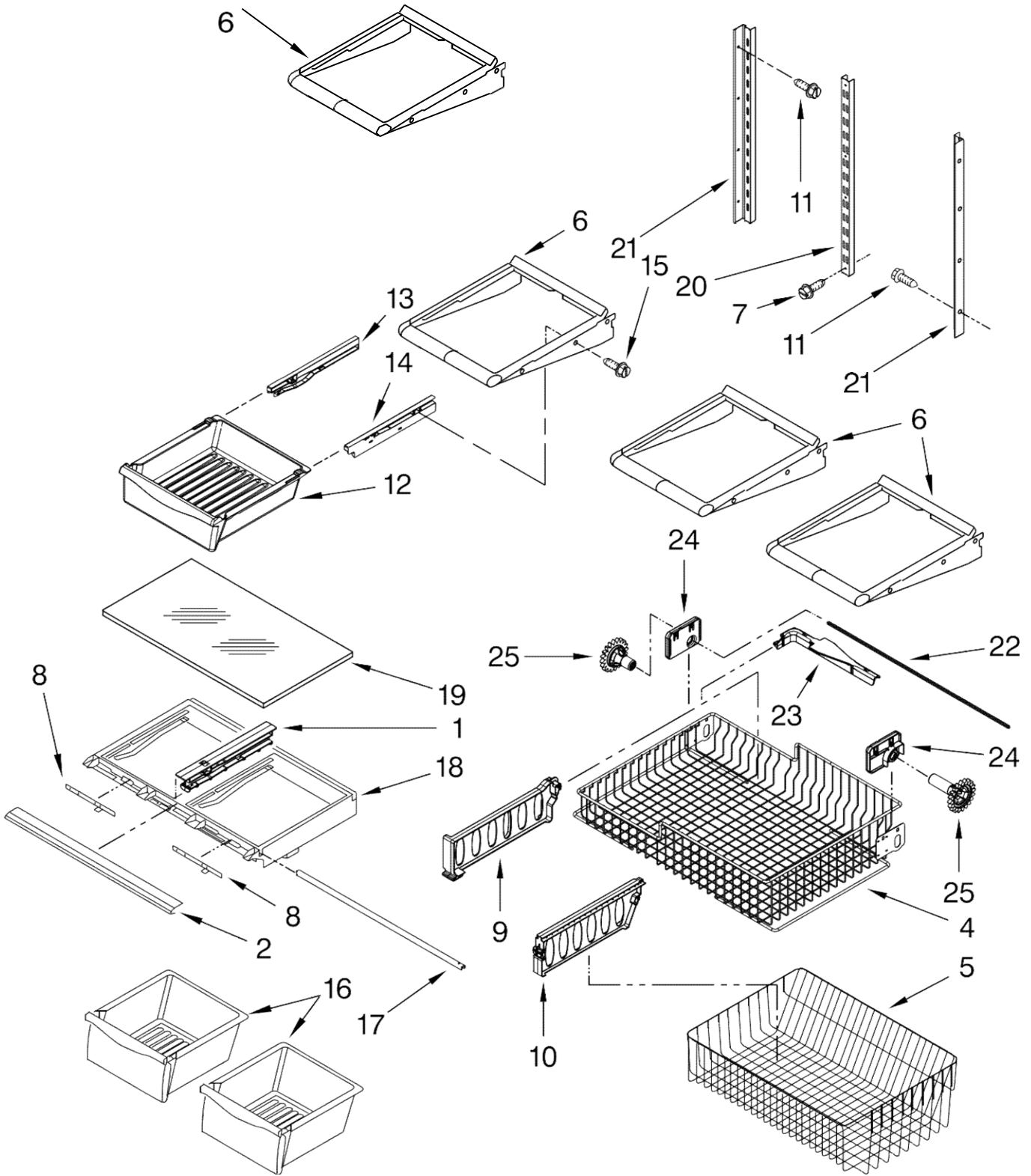
Illus. No.	Part No.	DESCRIPTION
1	12992301	Screw
2	12825803	Blade, Fan
3	W10210982	Basepan
4	12990511	Screw
6	W10294014	Tube, Discharge
7	W10290745	Harness, Evap Heater
8	W10296784	Pan, Drain
9	W10216919	Screw, Shoulder
10	12729127	Evaporator Heater
11	W10216075	Strap, Bale
12		Start Protect, Combo
	W10361443	Service
15	W10206336	Extension, Basepan
17	10835903SP	Grommet (4)
18	W10135028	Condenser
19	W10206339	Fastener, Basepan Extension
20	W10292801	Tray, Drip
21	12990701	Screw

Illus. No.	Part No.	DESCRIPTION
22	W10317012	Evaporator
23		Dam
	12225702	Right Side
	12225602	Left Side
24	W10239053	Motor, Fan
25	10428101	Clip, Heater
26	W10234024	Harness, Unit
27	W10143759	Drier
28	W10187125	Compressor Kit (Contains Items 12, 17, 27, & 29)
29	2264017	Capacitor
30	12477202	Axle, Roller
31	W10189184	Shroud
32	2319835	Grommet-Condenser
34	W10281329	Clip, Drier
35	12477102	Roller (2)
36	10623002	Clip, Evap (2)
37	W10137529	Grommet (4)

Illus. No.	Part No.	DESCRIPTION
<u>Following Parts Not Illustrated and Optional Parts Not Included</u>		
	978025	Valve, Access (1/4")
	978026	Valve, Access (5/16")
	978027	Valve, Access (3/8")
	978028	Valve, Access (1/2")
	978029	Valve, Access (5/8")
	978030	Valve, Access (3/4")
	876764	Valve, Access (3/16")

REFRIGERANT CHARGE

5.25 Ozs.
(R-134A)

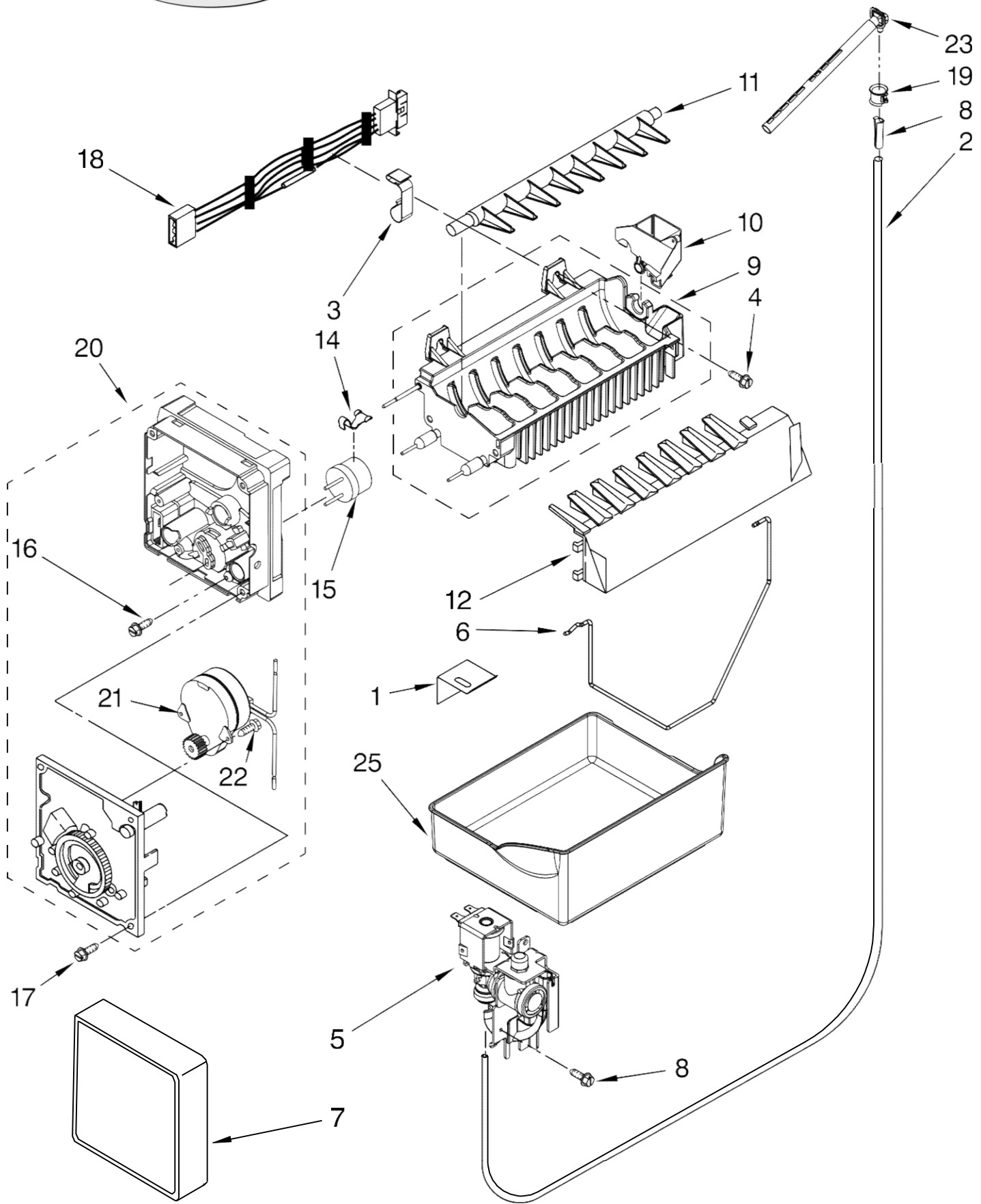


FOR ORDERING INFORMATION REFER TO PARTS PRICE LIST



Refrigerador Maytag MBF1958XES2

Illus. No.	Part No.	DESCRIPTION
1	12530701N	Rail, Center Crisper
2	W10231339	Trim, Crisper
4	W10241046	Basket, Freezer (Upper)
5	W10146449	Basket, Freezer (Lower)
6	12463608	Shelf
7	W10215666	Screw
8	12530805SP	Slide, Humidity Control
9	W10241046	Divider, Basket (Upper)
10	W10146440	Divider, Basket (Lower)
11	12990513	Screw
12	12656504V	Pan, Deli
13	12656601V	Glide, Left
14	12656602V	Glide, Right
15	12990302V	Screw, Glide (4)
16	12531305	Pan, Crisper
17	12227302WD	Brace, Crisper
18	12530901SP	Frame, Crisper
19	12204823N	Glass, Crisper Cover
20	W10273463	Ladder, Center
21	W10251970	Ladder, Side
22	12812906WD	Shaft-Rack
23	W10149389N	Lift-Bail Arm
24		Mount-Gear
	W10348260	Right
	W10348259	Left
25		Gear
	W10146446	Long-Right
	W10158749	Short-Left



FOR ORDERING INFORMATION REFER TO PARTS PRICE LIST



Refrigerador Maytag MBF1958XES2

Illus. No.	Part No.	DESCRIPTION
1	2256086	Bracket, Ice Maker
2	B5705333SP	Tube, Plastic
3	10526702	Clamp
4	489276	Screw
5	W10420082	Valve-Inlet
6	W10378255	Arm-Shut Off
7	W10377174	Cover, Front
8	A3223101SP	Insert, Tube
9	W10300025	Mold & Heater Assembly (Also Order 542638)
10	W10410073	Cup Water fill
11	W10318914	Ejector
12	W10122563	Ice Stripper
14	628379	Clip
15	W10290336	Thermostat Order 542369 Cement Alumilastic)
16	8533917	Screw
17	489464	Screw
18	W10404661	Harness, Ice Maker
19	M0114003SP	Clip, Speed
20	W10281342	Module Assembly (Includes Items 21 & 22)
21		Motor (Not Available, Order #20)
22	W10001240	Screw
23	10463203SP	Elbow, Fill Tube
25	W10171529K	Pan, Ice
100	W10377152	Complete Ice Maker

OPTIONAL PARTS

For Models: MBF1958XEW2, MBF1958XEB2, MBF1958XES2, MBF1958XEQ2
 (White) (Black) (Stainless Steel) (Bisque)

Illus. No.	Part No.	DESCRIPTION	Illus. No.	Part No.	DESCRIPTION	Illus. No.	Part No.	DESCRIPTION
<u>PAINT, TOUCH-UP (1/2oz.)</u>			<u>PAINT, BULK (1 qt.)</u>			<u>TORX SCREW WRENCH</u>		
	72017	White		799344	White (Uncut)		1117510	Torx Key
	72032	Black		799344	Black (Uncut)			
	4392901	Biscuit		4392900	Biscuit (Uncut)			
<u>PAINT, PRESSURIZED SPRAY (12 oz.)</u>			<u>Miscellaneous</u>			<u>ACCESSORIES</u>		
	*350942	Primer, White		212643	Sealer, Gum (4 Feet)		31462	Cleaner, 10 oz. Stainless Steel
	*350930	White		479502	Tape, Vinyl (3/4 x 108")			
	*350939	Black		505587	Sealer, Mastic (1 Qt.)			
	*4392901	Biscuit		503695	Cork, Sealer (1/4 Pound)			
				542638	Grease, Silicone (1/2 Oz.)			
				542639	Cement, Alumilastic (1-1/4 Oz.)			
				799833	Kit, Evaporator Repair (Aluminum Epoxy)			
				833938	Kit, Terminal Connector			
<p>* Important: The spray paint is not to be used where the paint may make contact with the door gaskets.</p>								