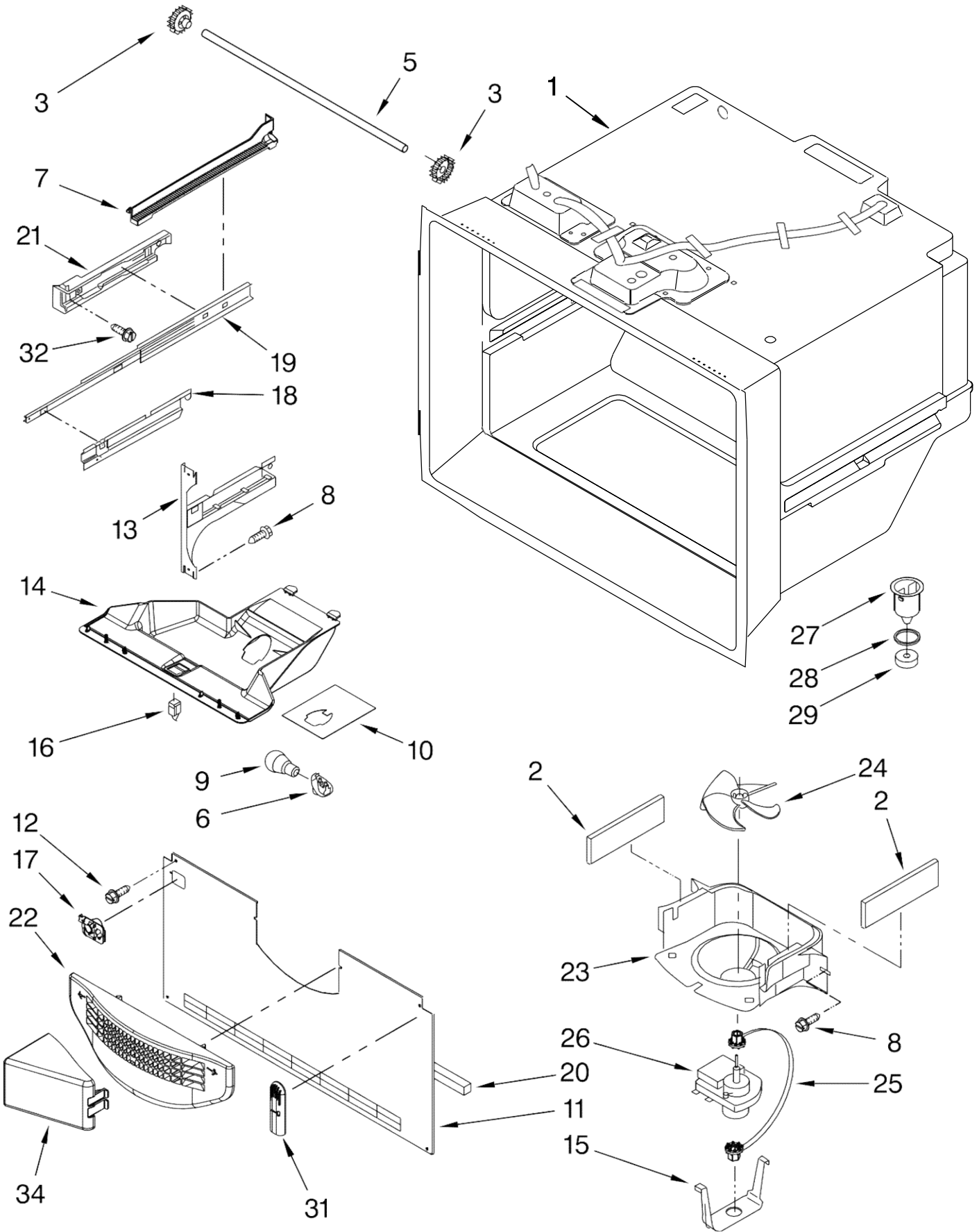


FOR ORDERING INFORMATION REFER TO PARTS PRICE LIST



Refrigerador Maytag MBF1958XES3

Illus. No.	Part No.	DESCRIPTION
1		Literature Parts
	W10366206SP	Use & Care Guide
	W10325960	Energy Guide
	W10475386	Tech Sheet
2		Cabinet (Not a Servicable Part)
4	B5759655	Gasket
5	W10208592	Guard, Water Valve
6	W10141622	Foot, Brake
7	10351006	Pin, Center Hinge
8	W10216614	Sweep, Water Valve
9	12992602	Screw
10		Cover, Hinge
	12477601W	White
	12477601B	Black
11	12990101	Screw
12	12990521	Screw
13	12726003	Cover, Water Line
14	12992403	Screw (3)
15		Hinge, Center
	12607103WD	White
	12607104ED	Black
16	12566606ED	Hinge, Top
17		Cover, Corner
	12587703W	White
	12587703B	Black
19		Roller Assembly
	W10275850	Left
	W10275849	Right
20	12991302	Screw (4)
21	W10210978	Cover, Unit
22		Grille, Toe
	W10236649	White
	W10236650	Black
24	W10210987	Tube, Drain
25	12990511	Screw
26	12820505	Fiber, Acoustic
28	M0108107	Clamp-Tube
30	12990504	Screw

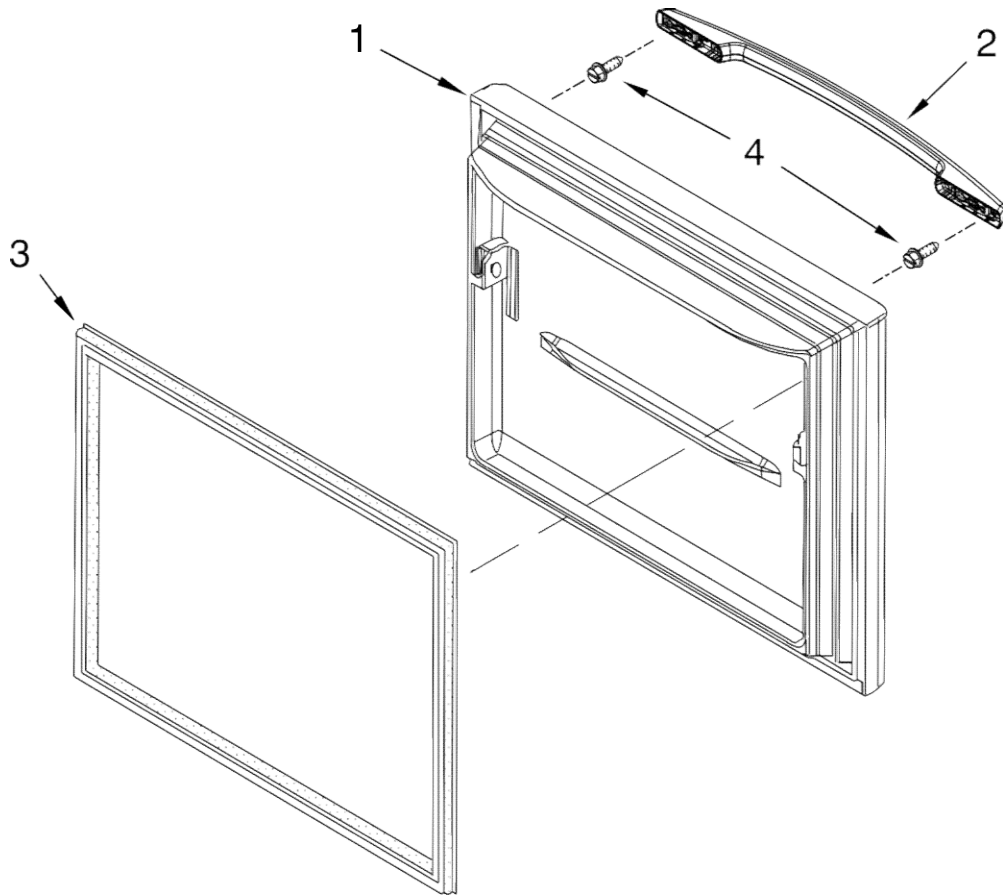


FOR ORDERING INFORMATION REFER TO PARTS PRICE LIST

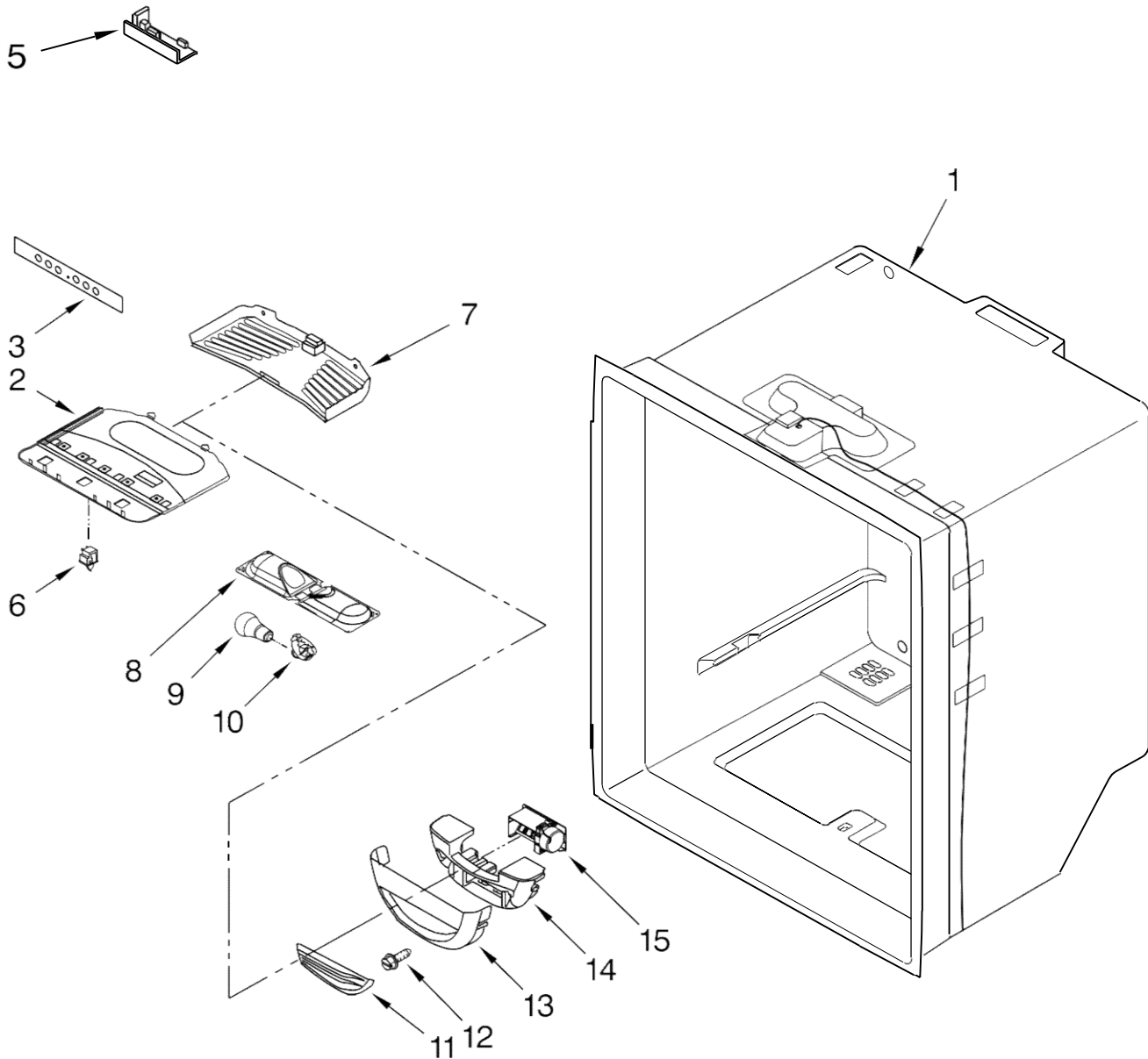


Refrigerador Maytag MBF1958XES3

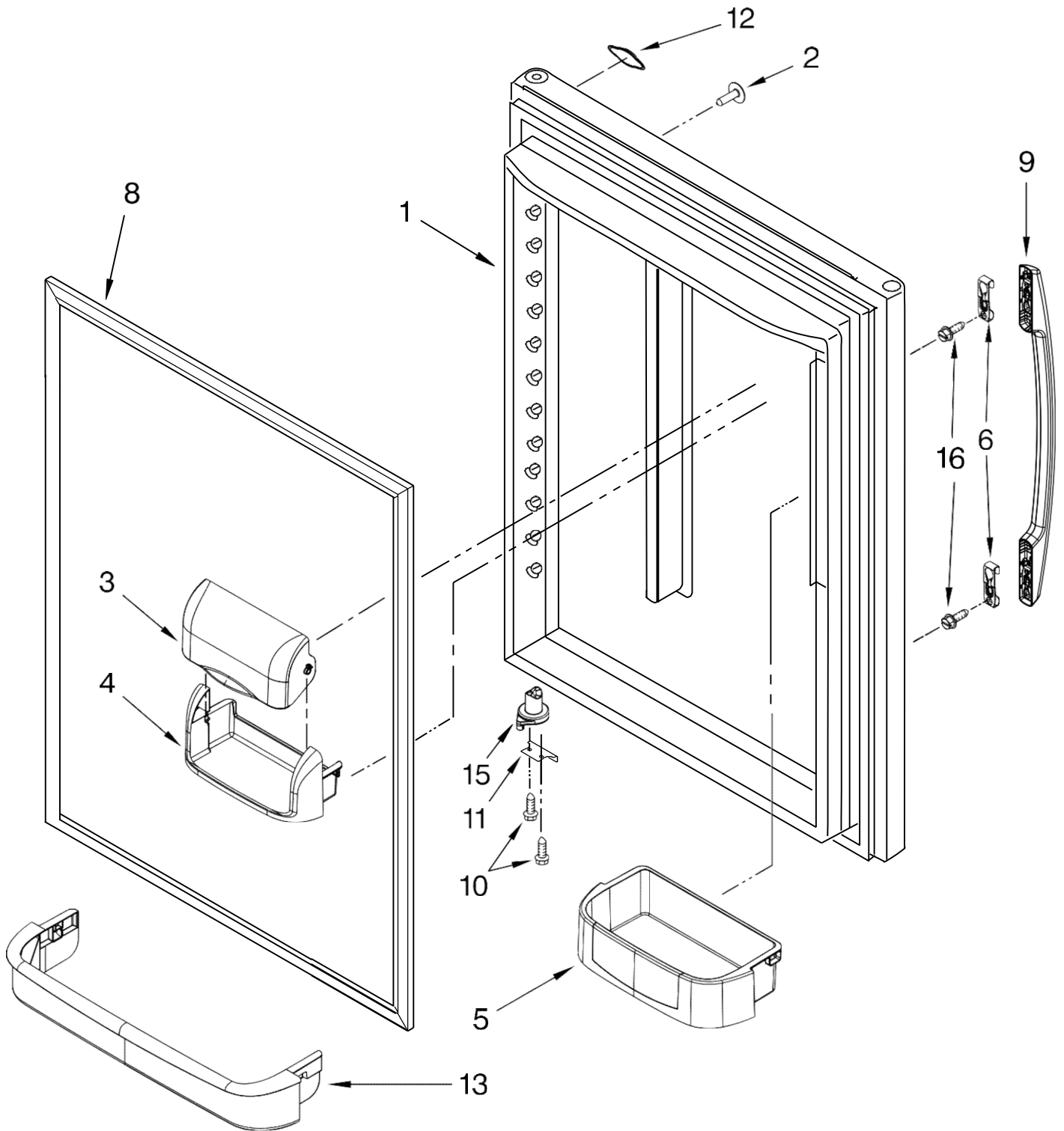
Illus. No.	Part No.	DESCRIPTION
1		Liner (Not A Seviceable Part)
2	A3189392	Gasket, Foam (2)
3	12002497	Gear-(L & R)
5	12812901WD	Shaft-Rack
6	12570701V	Socket, Light
7		Rail-Side W10284694 Left W10284695 Right
8	12990521	Screw (8)
9	W10311527	Bulb, Light
10	W10277466	Foil-FZ Light
11	W10308414	Cover, Evaporator
12	12990101	Screw (7)
13		Bracket, Door W10330994 Left W10330995 Right
14	W10277025	Module-FZ Light
15	13058002	Clip, Evap. Motor
16	12466105	Switch, Light
17	12932103	Guide-Fill Tube
18		Cradle-Basket W10280608 Left W10280613 Right
19	W10120018	Slide, Drawer (2)
20	A3189397	Gasket, Bottom
21		Adapter, Slide W10284684 Left W10284685 Right
22	13024803	Cover, Fan Shroud
23	13057901	Shroud, Evap.Fan
24	2169142	Fan, Evaporator
25	W10150583	Grommet-Fan Motor
26	13062901	Motor, Evaporator
27	D7753903	Funnel, Drain (Incl. # 28 & 29)
28	M0500703	Seal
29	B8381501	Gasket
31	12815301	Cover, Thermistor
32	12990501	Screw (6)
34	W10157765	Diverter, Air



Illus. No.	Part No.	DESCRIPTION
1		Door, Freezer 13109220W White 13109220B Black 13109223S Stainless Steel
2		Handle, Door W10252284N White W10252285N Black W10252288N Stainless Steel
3		Gasket, Door W10443311 White W10436247 Black
4		W10288153 Screw, Handle



Illus. No.	Part No.	DESCRIPTION	Illus. No.	Part No.	DESCRIPTION	Illus. No.	Part No.	DESCRIPTION
1		Liner (Not A Serviceable Part)	8	W10443023	Housing, Light	15	W10196393	Control, Damper
2	W10464757	Bracket, Control and Lights	9	W10315505N	Bulb, Light (2)	Following Parts Not Illustrated		
3	W10207257	Overlay	10	12570701V	Socket, Light (2)		12868701	Harness, Controls (Refrigerator) (Includes # 16)
5	W10464769	Board, Control	11	12806801	Insert, Damper Cover			
6	C3680310	Switch, Light	12	12990604	Screw (2)			
7	12806501	Cover, Light	13	12806701	Cover, Damper			
			14	13012402	Insulation			

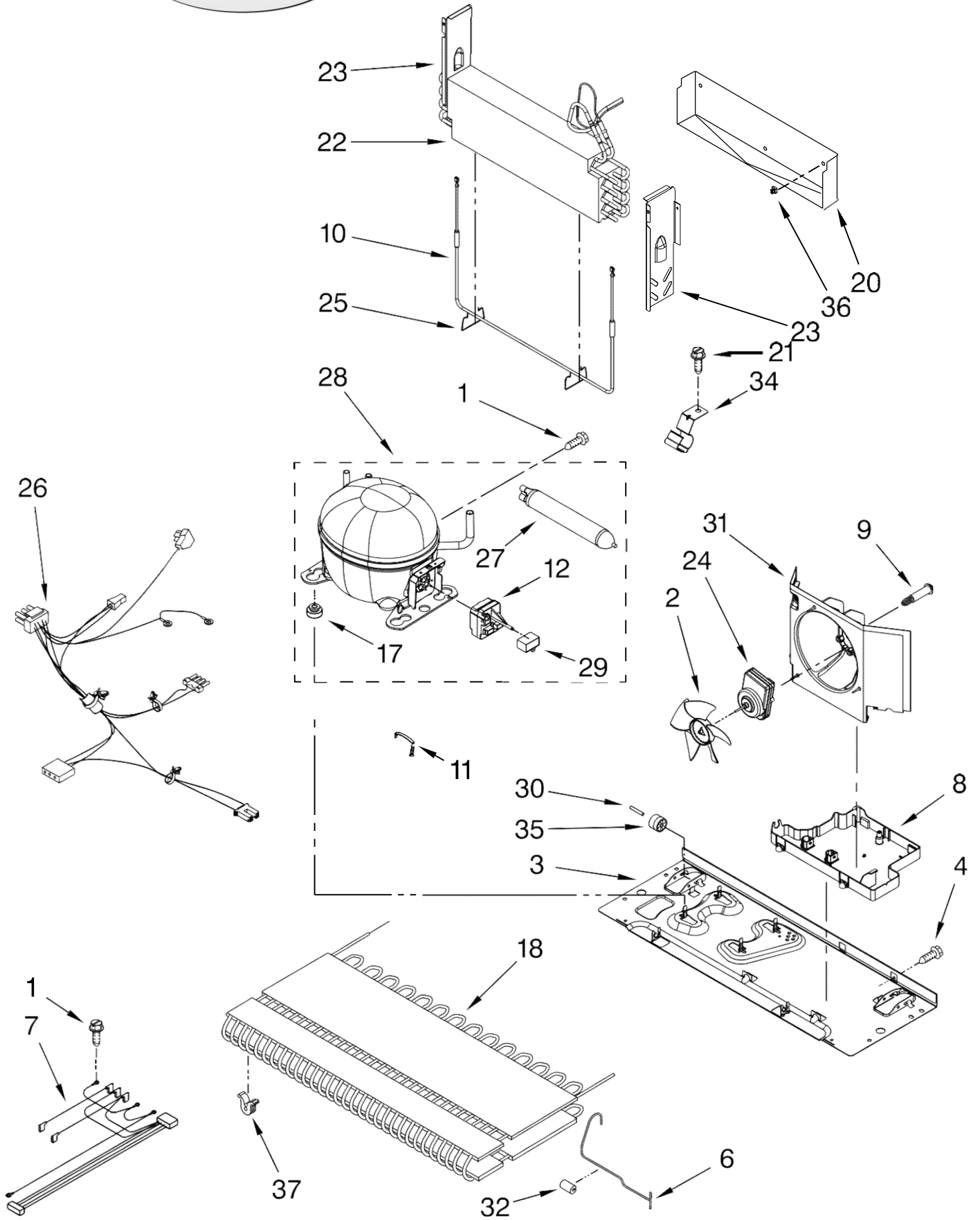


FOR ORDERING INFORMATION REFER TO PARTS PRICE LIST



Refrigerador Maytag MBF1958XES3

Illus. No.	Part No.	DESCRIPTION
1		Door, Refrigerator
	13109402W	White
	13109402B	Black
	13107537S	Stainless Steel
2		Plug-Button
	12246607	White
	12246608	Black
	12246610	Stainless
3	12804701SP	Door, Dairy
4	12369502SP	Tray, Dairy
5	12801902V	Bucket, Medium (2)
	12801901V	Bucket-Small (2)
6	2255411	Clip, Handle
8		Gasket, Door
	W10443309	White
	W10436245	Black
9		Handle, Door
	W10252284N	White
	W10252285N	Black
	W10252288N	Stainless Steel
10	12990504	Screw
11		Stop, Door
	10447111	White
	10447112	Black
12	W10170766	Nameplate
13	12557904	Retainer, Ref Door
15		Closure, Door
	12028505W	White
	12028505B	Black
16	W10288153	Screw



FOR ORDERING INFORMATION REFER TO PARTS PRICE LIST



Refrigerador Maytag MBF1958XES3

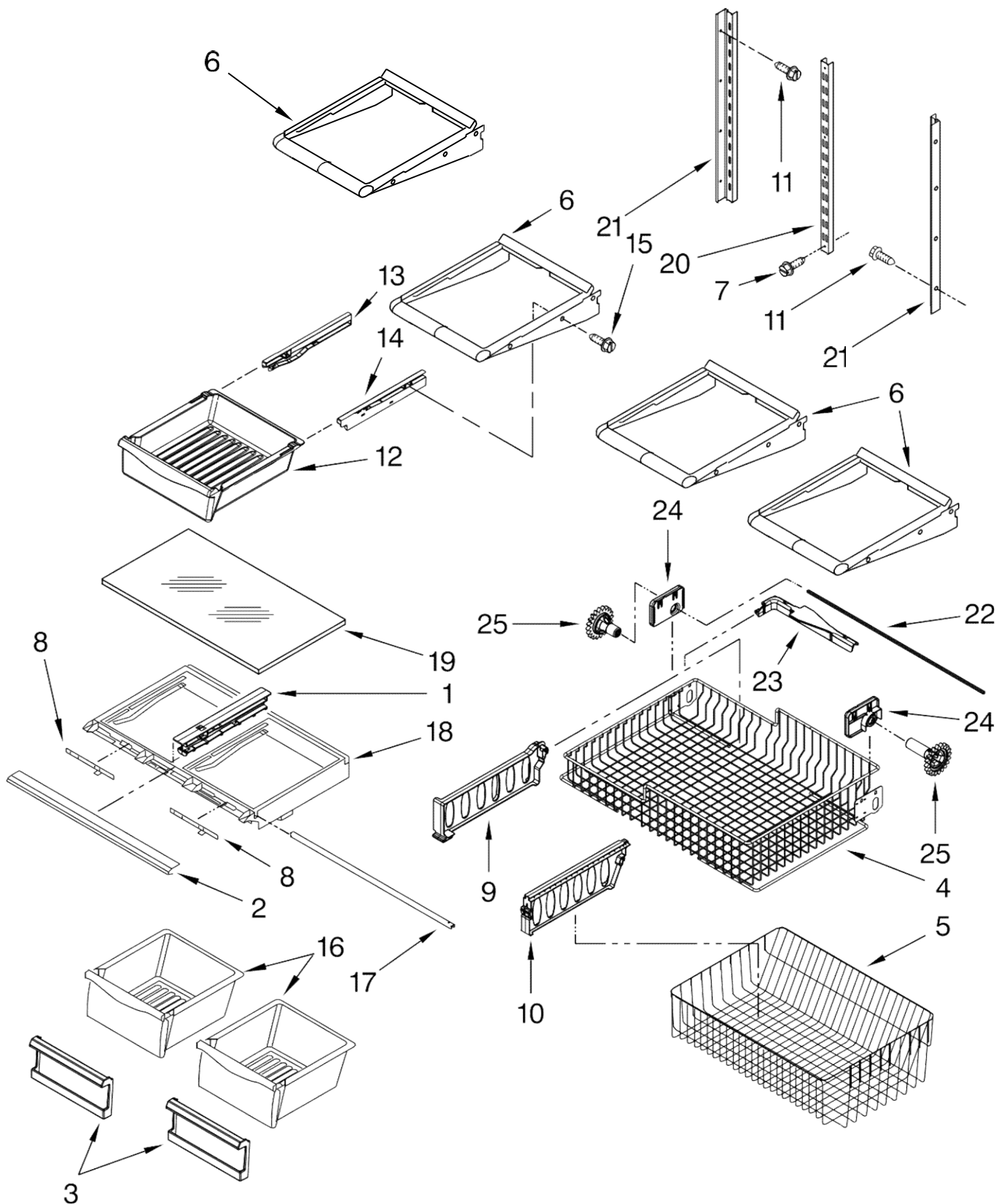
Illus. No.	Part No.	DESCRIPTION
1	12992301	Screw
2	12825803	Blade, Fan
3	W10480107	Basepan
4	12990511	Screw
6	W10294014	Tube, Discharge
7	W10290745	Harness, Evap Heater
8	W10296784	Pan, Drain
9	W10216919	Screw, Shoulder
10	12729127	Evaporator Heater
11	W10216075	Strap, Bale
12		Start Protect, Combo
	W10330834	Service
17	10835903SP	Grommet(4)
18	W10346423	Condenser Extension
20	W10292801	Tray, Drip
21	12990701	Screw
22	W10317012	Evaporator

Illus. No.	Part No.	DESCRIPTION
23		Dam
	12225702	Right Side
	12225602	Left Side
24	W10239053	Motor, Fan
25	10428101	Clip, Heater
26	W10234024	Harness, Unit
27	W10143759	Drier
28	W10445422	Compressor Kit
29	2264017	Capacitor
30	12477202	Axle, Roller
31	W10189184	Shroud
32	2319835	Grommet-Condenser
34	W10281329	Clip, Drier
35	12477102	Roller (2)
36	10623002	Clip, Evap (2)
37	W10137529	Grommet (4)

Illus. No.	Part No.	DESCRIPTION
Following Parts Not Illustrated and Optional Parts Not Included		
	978025	Valve, Access (1/4")
	978026	Valve, Access (5/16")
	978027	Valve, Access (3/8")
	978028	Valve, Access (1/2")
	978029	Valve, Access (5/8")
	978030	Valve, Access (3/4")
	876764	Valve, Access (3/16")

REFRIGERANT CHARGE

5.25 Ozs.
(R-134A)

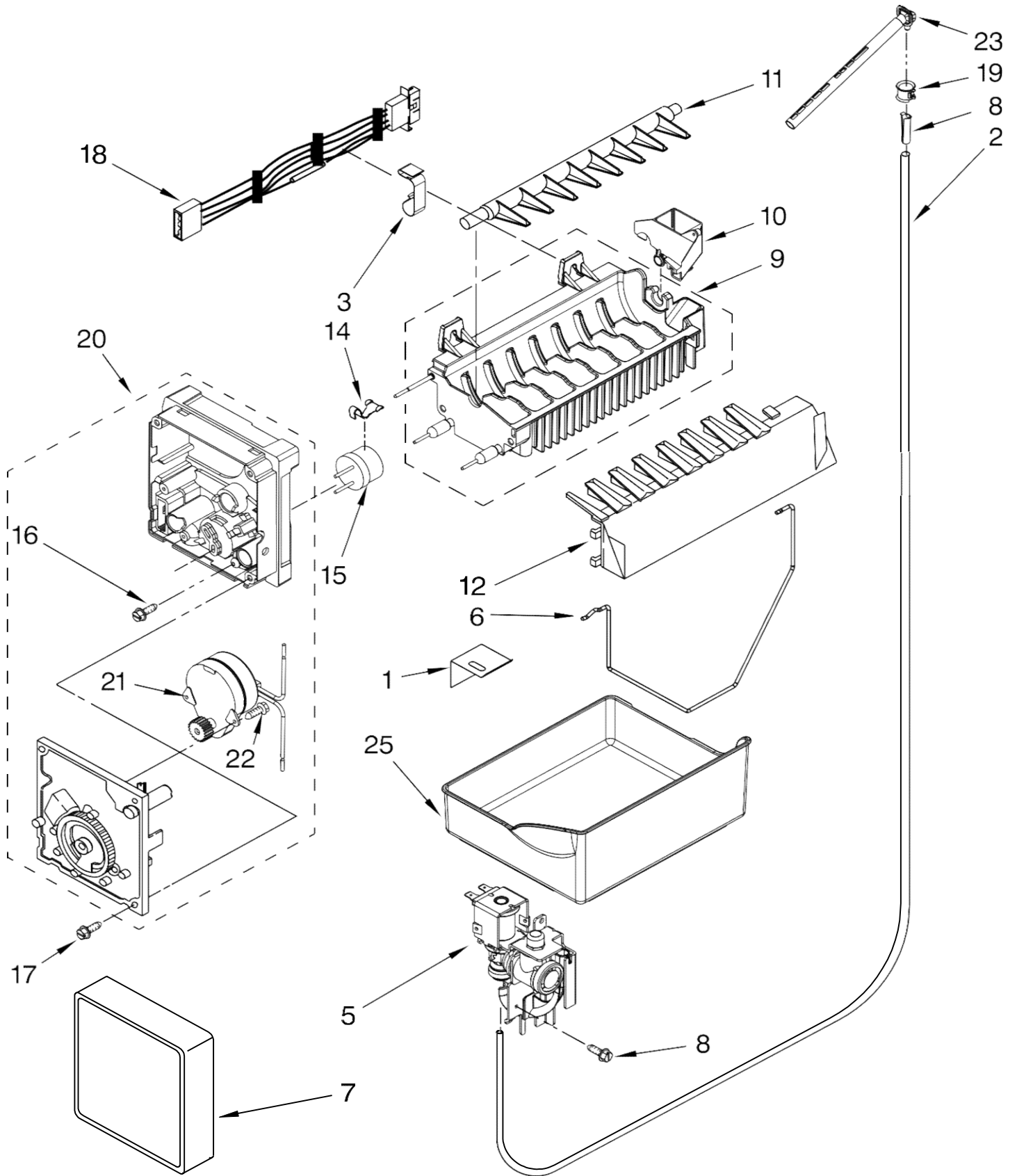


FOR ORDERING INFORMATION REFER TO PARTS PRICE LIST



Refrigerador Maytag MBF1958XES3

Illus. No.	Part No.	DESCRIPTION
1	12530701N	Rail, Center Crisper
2	W10231339	Trim, Crisper
3	12643602	Front, Crisper
4	W10241046	Basket, Freezer (Upper)
5	W10146449	Basket, Freezer (Lower)
6	12463608	Shelf
7	W10215666	Screw
8	12530805SP	Slide, Humidity Control
9	W10241046	Divider, Basket (Upper)
10	W10146440	Divider, Basket (Lower)
11	12990513	Screw
12	12656504V	Pan, Deli
13	12656601V	Glide, Left
14	12656602V	Glide, Right
15	12990302V	Screw, Glide (4)
16	12531305	Pan, Crisper
17	12227302WD	Brace, Crisper
18	12530901SP	Frame, Crisper
19	12204823N	Glass, Crisper Cover
20	W10273463	Ladder, Center
21	W10251970	Ladder, Side
22	12812906WD	Shaft-Rack
23	W10149389N	Lift-Bail Arm
24		Mount-Gear W10348260 Right W10348259 Left
25		Gear W10474715 Long-Right W10474716 Short-Left



FOR ORDERING INFORMATION REFER TO PARTS PRICE LIST



Refrigerador Maytag MBF1958XES3

Illus. No.	Part No.	DESCRIPTION
1	2256086	Bracket, Ice Maker
2	W10449192	Tube, Plastic
3	10526702	Clamp
5	W10420082	Valve-Inlet
6	W10378255	Arm-Shut Off
7	W10377174	Cover, Front
8	A3223101	Insert, Tube
9	W10300025	Mold & Heater Assembly (Also Order 542638)
10	W10410073	Cup Water fill
11	W10318914	Ejector
12	W10122563	Ice Stripper
14	628379	Clip
15	W10290336	Thermostat Order 542369 Cement Alumilastic)
16	8533917	Screw
17	489464	Screw
18	W10458985	Harness, Ice Maker
19	M0114003	Clip, Speed
20	W10281342	Module Assembly (Includes Items 21& 22)
21		Motor (Not Available, Order #20)
22	W10001240	Screw
23	10463203	Elbow, Fill Tube
25	W10171529	Pan, Ice
100	W10469286	Complete Ice Maker

OPTIONAL PARTS

For Models: MBF1958XEW3, MBF1958XEB3, MBF1958XES3
 (White) (Black) (Stainless Steel)

Illus. No.	Part No.	DESCRIPTION
------------	----------	-------------

PAINT, TOUCH-UP (1/2oz.)

72017 White
 72032 Black
 4392901 Biscuit

PAINT, PRESSURIZED SPRAY (12 oz.)

*350942 Primer, White
 *350930 White
 *350939 Black
 *4392901 Biscuit

* **Important:** The spray paint is not to be used where the paint may make contact with the door gaskets.

Illus. No.	Part No.	DESCRIPTION
------------	----------	-------------

PAINT, BULK (1 qt.)

799344 White (Uncut)
 799344 Black (Uncut)
 4392900 Biscuit (Uncut)

Miscellaneous

212643 Sealer, Gum (4 Feet)
 479502 Tape, Vinyl (3/4 x 108")
 505587 Sealer, Mastic (1 Qt.)
 503695 Cork, Sealer (1/4 Pound)
 542638 Grease, Silicone (1/2 Oz.)
 542639 Cement, Alumilastic (1-1/4 Oz.)
 799833 Kit, Evaporator Repair (Aluminum Epoxy)
 833938 Kit, Terminal Connector

Illus. No.	Part No.	DESCRIPTION
------------	----------	-------------

TORX SCREW WRENCH

1117510 Torx Key

ACCESSORIES

31462 Cleaner, 10 oz. Stainless Steel