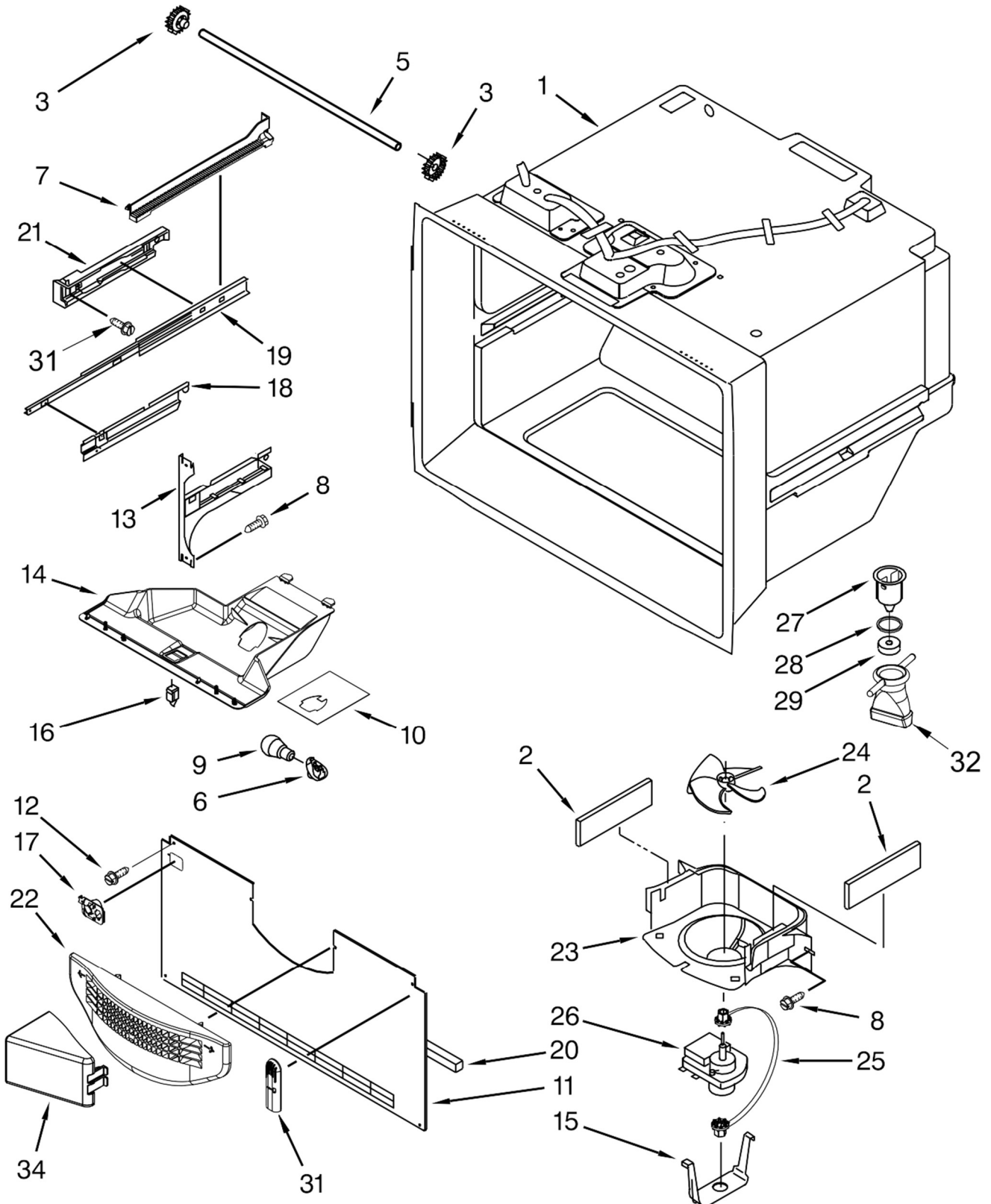




Refrigerador Maytag MBF1958XES5

<u>Illus.</u> <u>No.</u>	<u>Part No.</u> <u>Description</u>	<u>Illus.</u> <u>No.</u>	<u>Part No.</u> <u>Description</u>
1	Literature Parts	24	W10210987 Tube, Drain
	W10366206SP Use & Care Guide	25	12990511 Screw
	W10325960 Energy Guide		
	W10517966 Tech Sheet		
2	Cabinet (Not a Servicable Part)		
3	12990504 Screw		
4	B5759655 Gasket		
5	W10208592 Cover, Valve		
6	W10141622 Brake, Roller		
7	10351006 Pin, Center Hinge		
8	W10216614 Sweep, Water Valve		
9	12992602 Screw		
10	Cover, Hinge		
	12477601W White		
	12477601B Black		
11	12990101 Screw		
12	12990521 Screw		
13	12726003 Cover, Water Line		
14	12992403 Screw		
15	Hinge, Center		
	12607103WD White		
	12607104ED Black		
16	12566606ED Hinge, Top		
17	Cover, Corner		
	12587703W White		
	12587703B Black		
18	M0108107 Clamp, Tube		
19	Roller Assembly		
	W10515763 Left Hand		
	W10515762 Right Hand		
20	12991302 Screw		
21	W10210978 Cover, Unit		
22	Grille, Toe		
	W10236649 White		
	W10236650 Black		
23	12820505 Insulation		

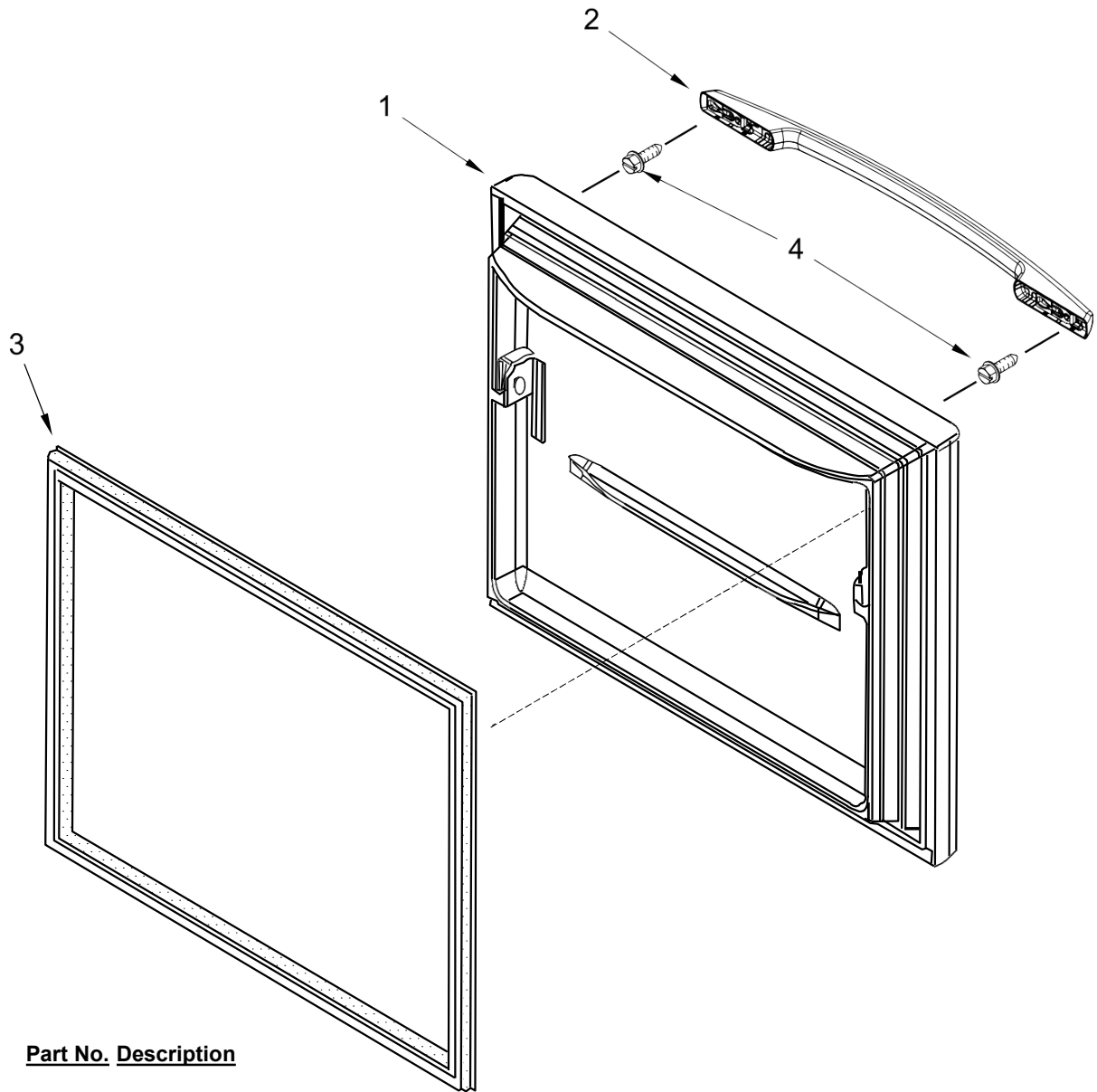




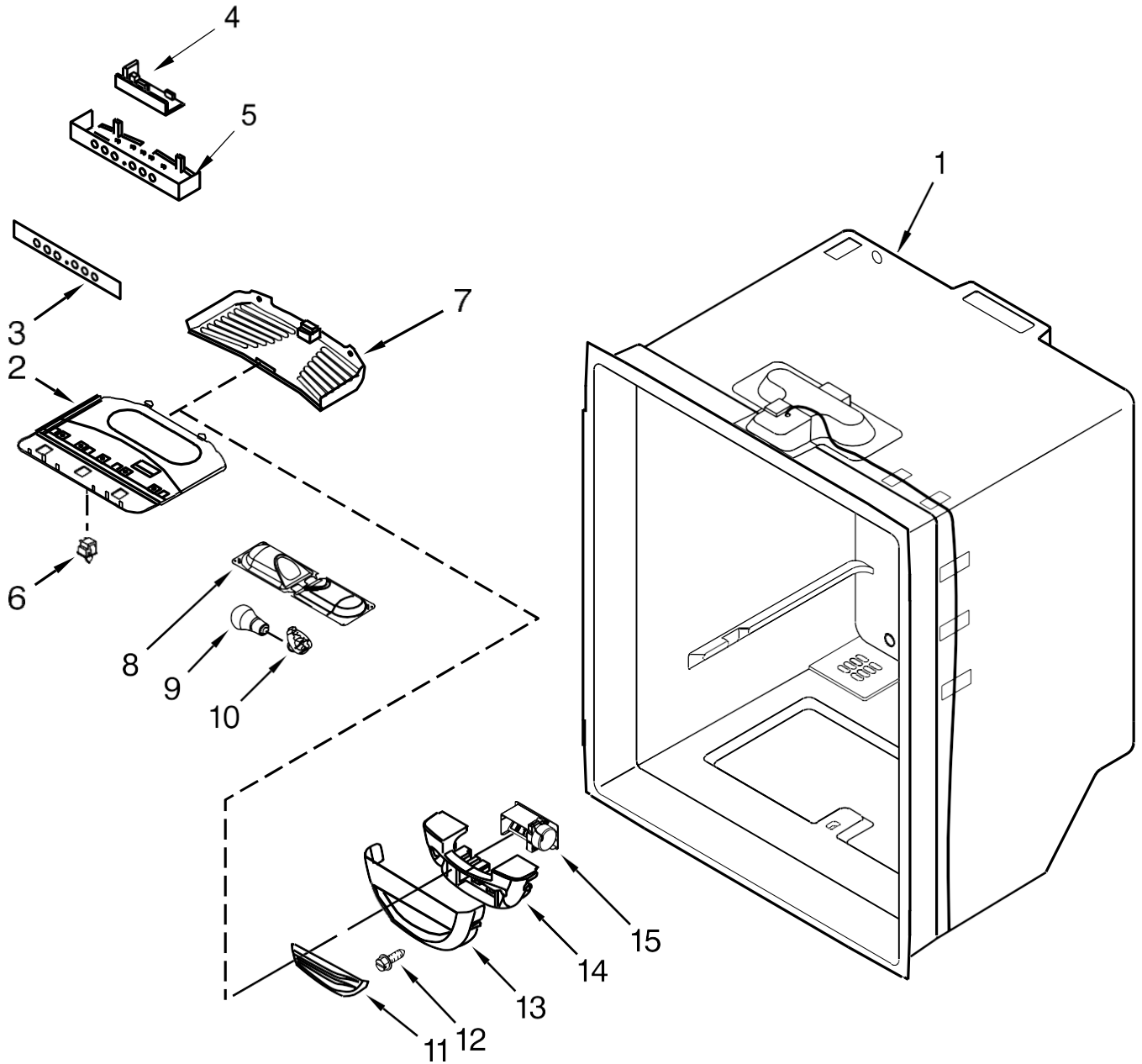
Refrigerador Maytag MBF1958XE5

<u>Illus. No.</u>	<u>Part No.</u>	<u>Description</u>
1		Liner (Not A Serviceable Part)
2	A3189392	Gasket, Foam
3	12002497	Gear
4	W10157765	Diverter, Air
5	12812901WD	Shaft, Rack
6	12570701	Socket, Light
7		Rail-Side
	W10516603	Left Hand
	W10516602	Right Hand
8	12990521	Screw
9	W10311527	Bulb, Light
10	W10277466	Housing, Foil
11	W10308414	Cover, Evaporator
12	12990101	Screw
13		Bracket, Door
	W10330991	Left Hand
	W10330993	Right Hand
14	W10277025	Module, Light
15	13058002	Clip, Evaporator Motor
16	12466105	Switch, Light
17	W10485986	Guide, Waterline
18		Cradle-Basket
	W10280608	Left Hand
	W10280613	Right Hand
19	W10488000	Slide, Door
20	A3189394	Gasket, Bottom
21		Adapter, Slide
	W10284684	Left Hand
	W10284685	Right Hand
22	13024803	Grille, Freezer Air
23	13057901	Shroud, Evaporator
24	2169142	Blade, Fan
25	W10150583	Grommet, Fan Motor
26	13062901	Evaporator, Motor
27	D7753903	Funnel, Drain
28	M0500703	Seal

<u>Illus. No.</u>	<u>Part No.</u>	<u>Description</u>
30	12815301	Cover, Thermistor
31	12990501	Screw
32	W10309238	Extension, Drain Tube
Following Parts Not Illustrated		



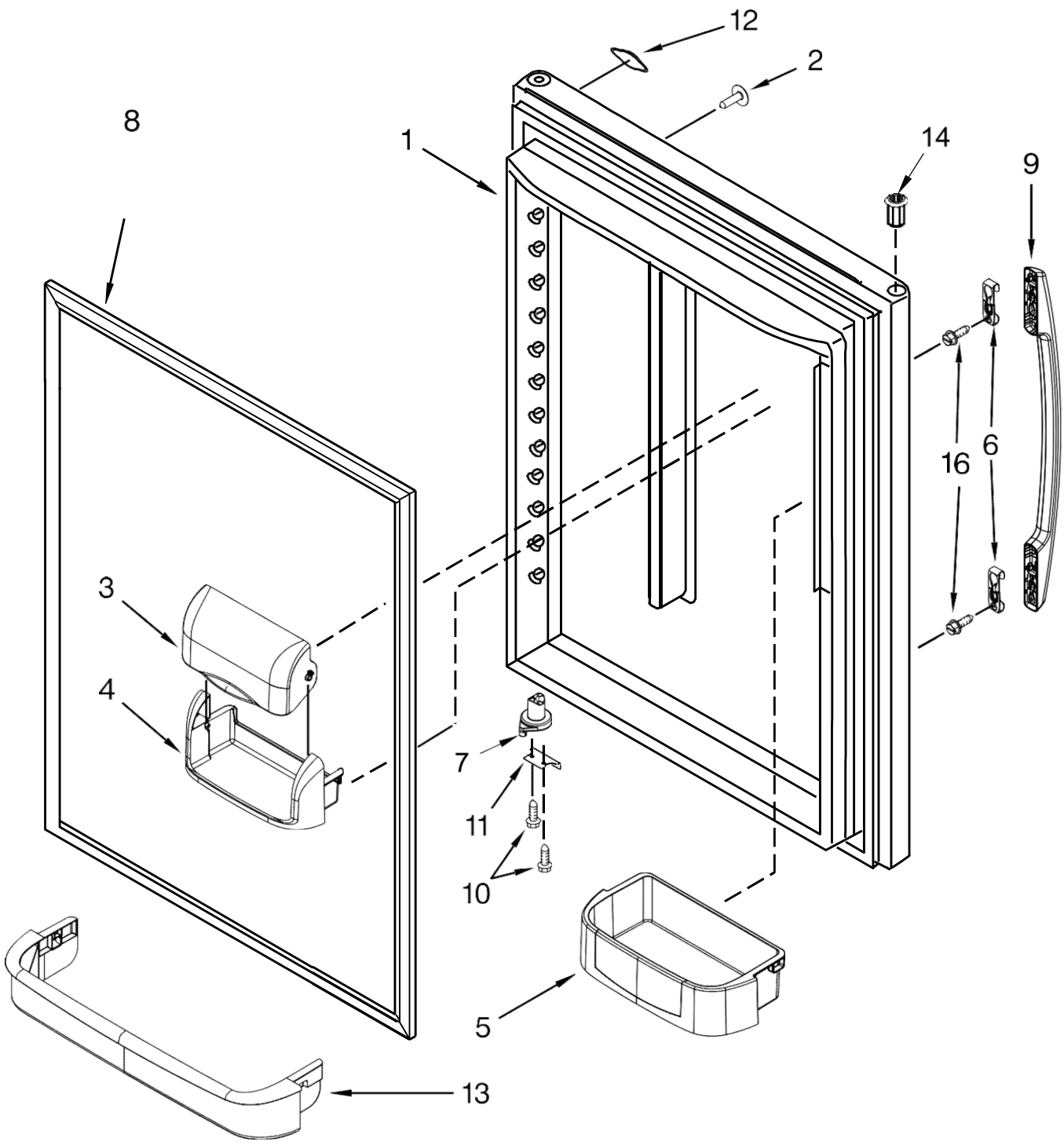
<u>Ilus. No.</u>	<u>Part No.</u>	<u>Description</u>
1		Door, Freezer
	13109220W	White
	13109220B	Black
	13109223S	Stainless
2		Handle, Door
	W10252284N	White
	W10252285N	Black
	W10252288N	Stainless
3		Gasket, Door
	W10443311	White
	W10436247	Black
4	W10288153	Screw





Refrigerador Maytag MBF1958XES5

<u>Illus.</u> <u>No.</u>	<u>Part No.</u>	<u>Description</u>
1		Liner (Not A Serviceable Part)
2	W10464757	Module, Light
3	W10207257	Overlay, Control
4	W10464769	Module, Control
5	W10503278	Control, Electronic
6	C3680310V	Switch, Light
7	12806501	Cover, Light
8	W10443023	Housing, Light
9	W10311505N	Bulb, Light
10	12570701V	Socket, Light
11	12806801	Insert, Damper Cover
12	12990604	Screw
13	12806701	Cover, Damper
14	13012402	Insulation, Damper
15	W10196393	Damper, Control
		Following Parts Not Illustrated
	W10422363	Harness, Control (Refrigerator)(Includes Thermistor)

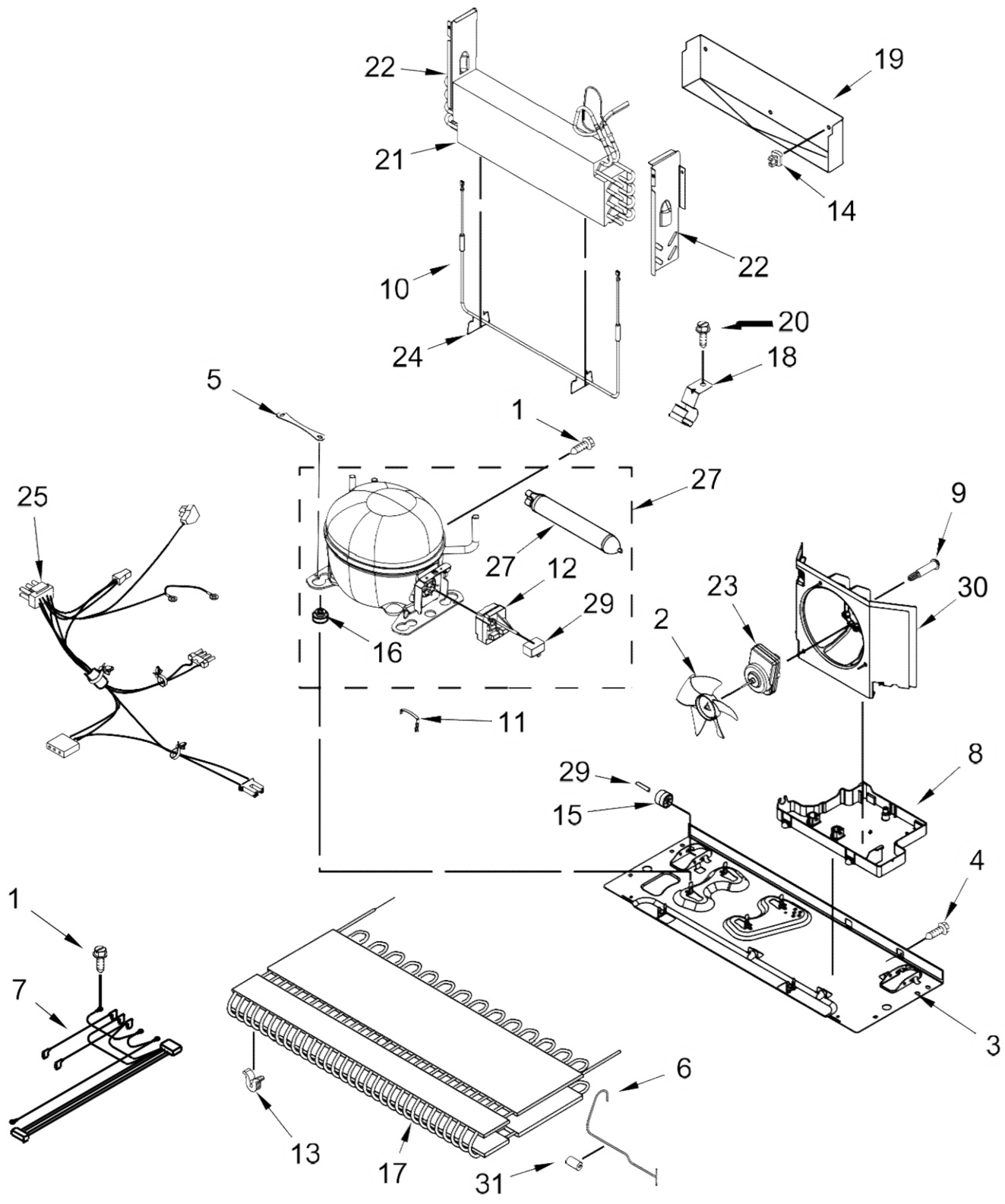






<u>Illus. No.</u>	<u>Part No.</u>	<u>Description</u>
1		Door, Refrigerator
	13109402W	White
	13109402B	Black
	13107537S	Stainless
2		Plug-Button
	12246607	White
	12246608	Black
	12246610	Plug, Button
3	12804701SP	Door, Dairy
4	12369502SP	Tray, Dairy
5		Bucket, Door
	12801901	Small
	12801902	Medium
6	2255411	Clip, Handle Mount
7		Closure, Door
	12028505W	White
	12028505B	Black
8		Gasket, Door
	W10443309	White
	W10436245	Black
9		Handle, Door
	W10252284N	White
	W10252285N	Black
	W10252288N	Stainless
10	12990504	Screw
11		Stop, Door
	10447111	White
	10447112	Black
12	W10170766	Stainless
13	12557904	Retainer, Door
14		Bushing
	10961006W	Bushing, Door (White)
	10961006B	Bushing, Door (Black)
15	W10288153	Screw

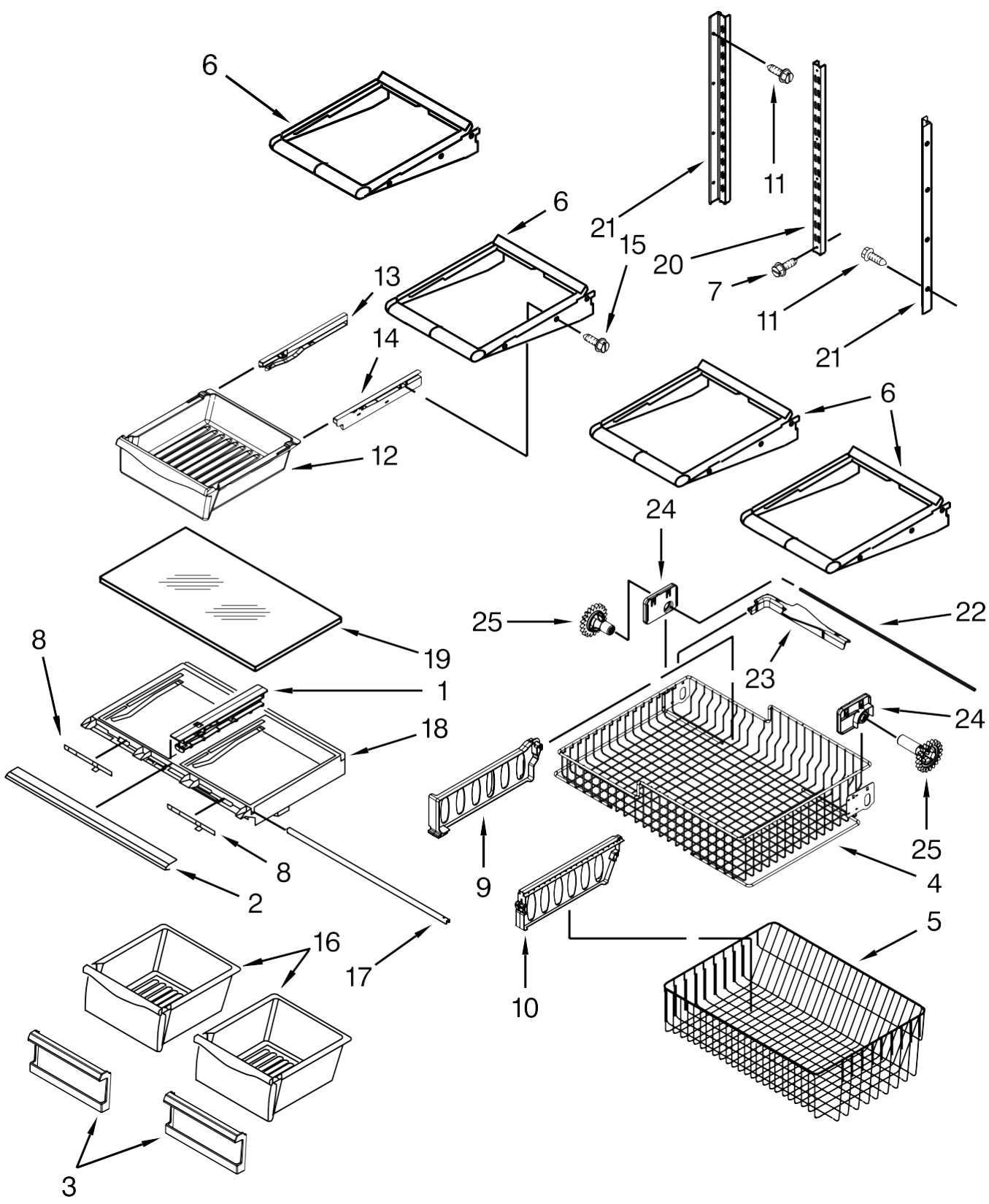
Refrigerador Maytag MBF1958XE5





Refrigerador Maytag MBF1958XES5

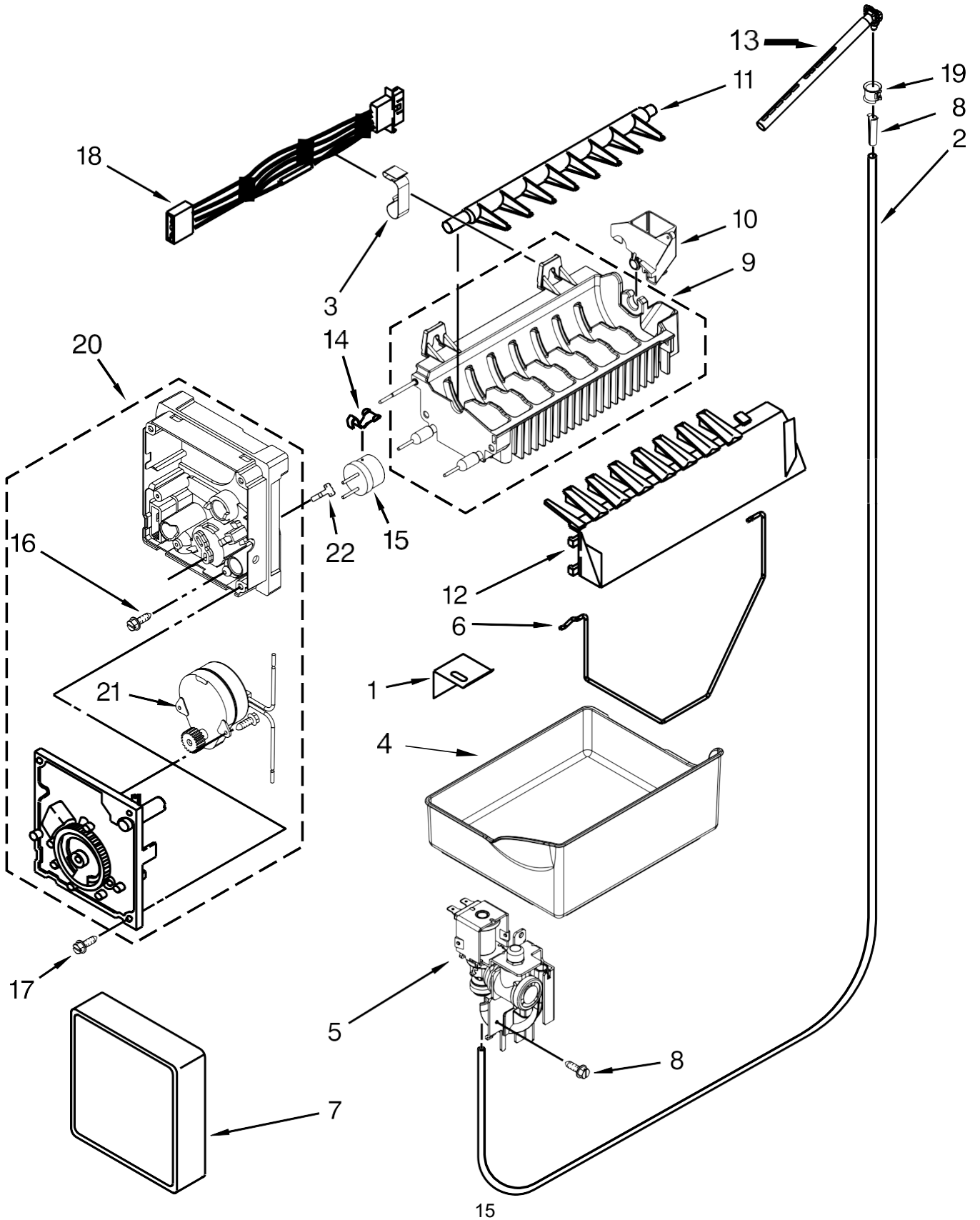
<u>Illus. No.</u>	<u>Part No.</u>	<u>Description</u>	<u>Illus. No.</u>	<u>Part No.</u>	<u>Description</u>
1	12992301	Screw	31	2319835	Grommet, Condenser
2	12825803	Blade, Fan			Following Parts Not Illustrated
3	W10480107	Basepan		978025	Valve, Access
4	12990511	Screw		978026	Valve, Access
5	W10236396	Strap, Compressor		978027	Valve, Access
6	W10294014	Tube, Discharge		978028	Valve, Access
7	W10290745	Harness, Evaporator (Includes Heater)		978029	Valve, Access
8	W10296784	Pan, Drain		978030	Valve, Access
9	W10216919	Screw, Shoulder		876764	Valve, Access
10	12729127	Heater, Evaporator			REFRIGERANT CHARGE
11	W10174384	Strap, Bale			
12		Start Protect, Combo			
	W10194431	Start Device, Combination (Start Relay and Overload) for Service Compressor Only			
13	W10137529	Grommet, Condenser			
14	10623002	Clip, Evaporator			
15	12477102	Roller			
16	10835903SP	Grommet, Compressor			
17	W10346423	Condenser			
18	W10281329	Clip, Drier			
19	W10292801	Tray, Drip			
20	12990701	Screw			
21	W10317012	Evaporator			
22		Dam			
	12225702	Right Hand			
	12225602	Left Hand			
23	W10239053	Motor, Fan			
24	10428101	Clip, Heater			
25	W10234024	Harness, Unit (Includes Power Cord)			
26	W10177049	Drier			
27	W10164016	Compressor			
28	W10350564	Capacitor			
29	12477202	Axle, Roller			
30	W10189184	Shroud			





Refrigerador Maytag MBF1958XES5

<u>Illus. No.</u>	<u>Part No.</u>	<u>Description</u>
1	12530701N	Rail, Center Crisper
2	W10231339	Trim, Crisper
3	12643602	Front, Crisper
4	W10348236	Basket, Freezer (Upper)
5	W10503182	Basket, Freezer (Lower)
6	12463608V	Shelf, Stationary
7	W10215666	Screw
8	12530805SP	Slide, Humidity Control
9	W10241046	Divider, Upper
10	W10146440	Divider, Lower Basket
11	12990513	Screw
12	12656504V	Pan, Deli
13	12656601V	Glide, Left Hand
14	12656602V	Glide, Right Hand
15	12990302V	Screw
16	12531305	Pan, Crisper
17	12227302WDBrace,	Crisper Cover
18	12530901SP	Frame, Crisper
19	12204823N	Glass, Crisper Cover
20	W10273463	Ladder, Center
21	W10251970	Ladder, Side
22	12812906WDShaft,	Rack
23	W10149389NLift,	Bail Arm
24		Mount-Gear
	W10348260	Right Hand
	W10348259	Left Hand
25		Gear
	W10474715	Right Hand
	W10474716	Left Hand





## Refrigerador Maytag MBF1958XES5

<u>Illus. No.</u>	<u>Part No.</u>	<u>Description</u>
1	2256086	Bracket, Ice Maker
2	W10449192	Tube, Plastic
3	10526702	Clamp, Wire
4	W10171529	Pan, Ice
5	W10420082	Valve, Water
6	W10512602	Arm-Shut Off
7	12582501	Cover, Front
8	A3223101	Insert, Tube
9	W10300025	Assembly, Mold & Heater
10	W10410073	Cup, Water Fill
11	W10318914	Ejector, Arm
12	W10122563	Stripper, Ice
13	10463203	Elbow, Fill Tube
14	628379	Clip, Thermal Fuse
15	W10290336	Thermostat
16	8533917	Screw
17	489464	Screw
18	W10458985	Harness, Ice Maker
19	M0114003	Clip, Speed
20	W10281342	Assembly, Module And Motor
21		Motor (Not Available, Order #20)
22	2315522	Retainer, Thermostat
100	W10469286	Icemaker Assembly (Complete)



**Refrigerador Maytag MBF1958XES5**

**PAINT, TOUCH-UP (1/2OZ.)**

<u>Illus. No.</u>	<u>Part No.</u>	<u>Description</u>
	72017	White
	72032	Black
	511873	White Porcelain (2 oz.)
	4392899	Biscuit/Bisque

**PAINT, PRESSURIZED SPRAY (12 OZ.)**

<u>Illus. No.</u>	<u>Part No.</u>	<u>Description</u>
	350930	White
	350939	Enamel, Black
	285006	Black
	350942	White Primer
	4392901	Biscuit/Bisque

**PAINT, BULK (1 QT.)**

<u>Illus. No.</u>	<u>Part No.</u>	<u>Description</u>
	799344	White

**MISCELLANEOUS**

<u>Illus. No.</u>	<u>Part No.</u>	<u>Description</u>
	212643	Sealer, Gum (4 Feet)
	479502	Tape, Vinyl (3/4 x 108")
	876370	Insulation (2 Pieces, 3" x 24" x 48")
	876305	Insulation Kit (14 Pieces, 3" x 24" x 48")
	978941	Insulation, Fiberglass (63 1/2" x 35 1/2" x 2 5/8")
	876029	Kit, Foam Slab (30" x 32 1/2" x 1 1/2")
	505587	Sealer, Mastic (1 Qt)
	503695	Cork, Sealer
	20000008	Cleaner, Stainless Steel
	542638	Grease, Silicone (1/2 Oz.)
	542639	Cement, Alumilastic (1 1/4 Oz.)
	833938	Kit, Terminal Connector

**TORX SCREW WRENCH**

<u>Illus. No.</u>	<u>Part No.</u>	<u>Description</u>
	1117510	Torx Key