

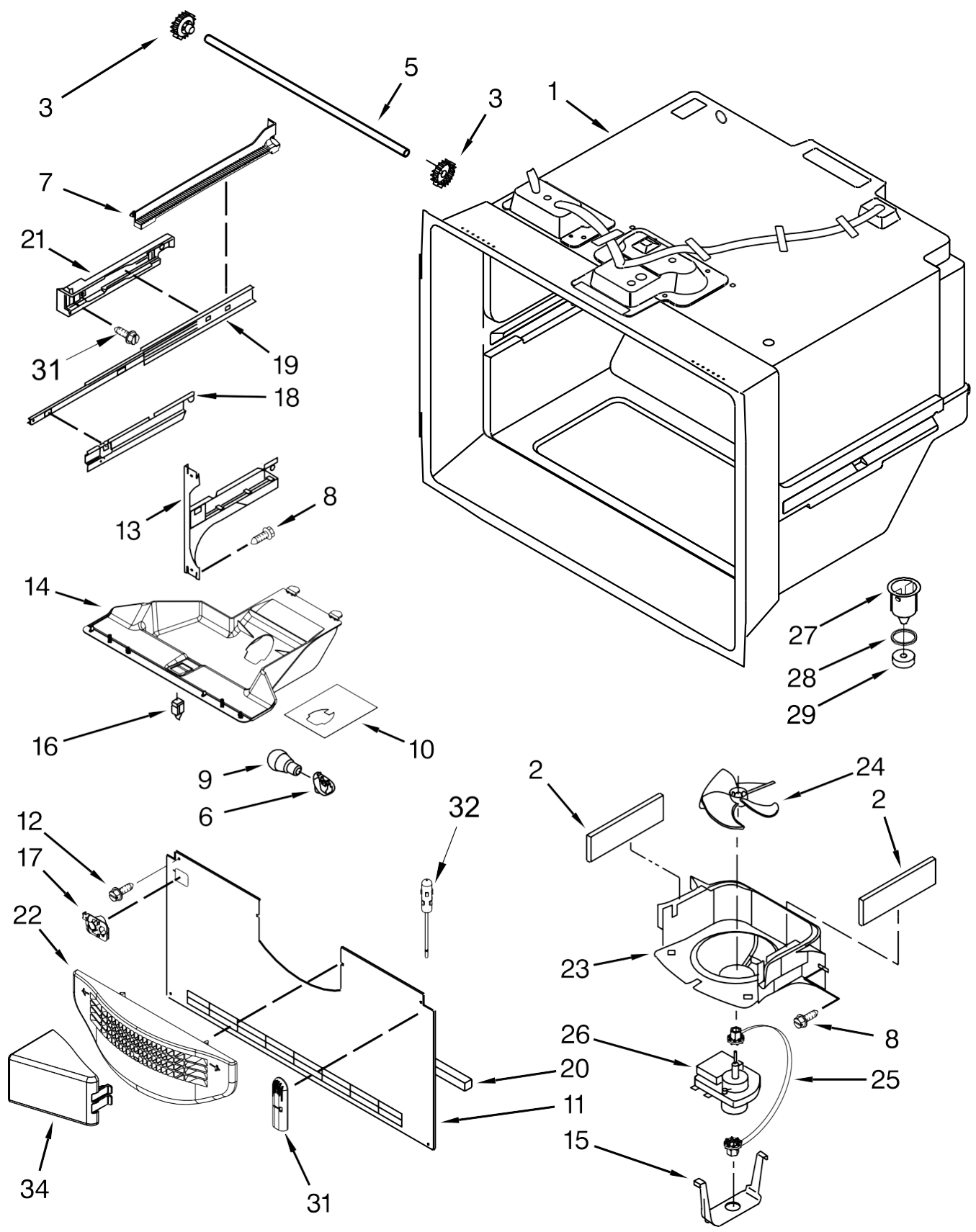


Refrigerador Maytag MBF1958XES6

<u>Illus.</u> <u>No.</u>	<u>Part No.</u>	<u>Description</u>
1		Literature Parts
	W10366206S	Use & Care Guide
	W10325960	Energy Guide
	W10517966	Tech Sheet
2		Cabinet (Not a Servicable Part)
3	12990504	Screw
4	B5759655	Gasket
5	W10208592	Cover, Valve
6	W10141622	Brake, Roller
7	10351006	Pin, Center Hinge
8	W10216614	Sweep, Water Valve
9	12992602	Screw
10		Cover, Hinge
	12477601W	White
	12477601B	Black

<u>Illus.</u> <u>No.</u>	<u>Part No.</u>	<u>Description</u>
11	12990101	Screw
12	12990521	Screw
13	12726003	Cover, Water Line
14	12992403	Screw
15		Hinge, Center
	12607103WD	White
	12607104ED	Black
16		Top Hinge
	12566606ED	Right Hand
17		Cover, Corner
	12587703W	White
	12587703B	Black
18	M0108107	Clamp, Tube
19		Roller Assembly
	W10515763	Left Hand
	W10515762	Right Hand

<u>Illus.</u> <u>No.</u>	<u>Part No.</u>	<u>Description</u>
20	12991302	Screw
21	W10210978	Cover, Unit
22		Grille, Toe
	W10534166	White
	W10534167	Black
23	12820505	Insulation
24	12990511	Screw



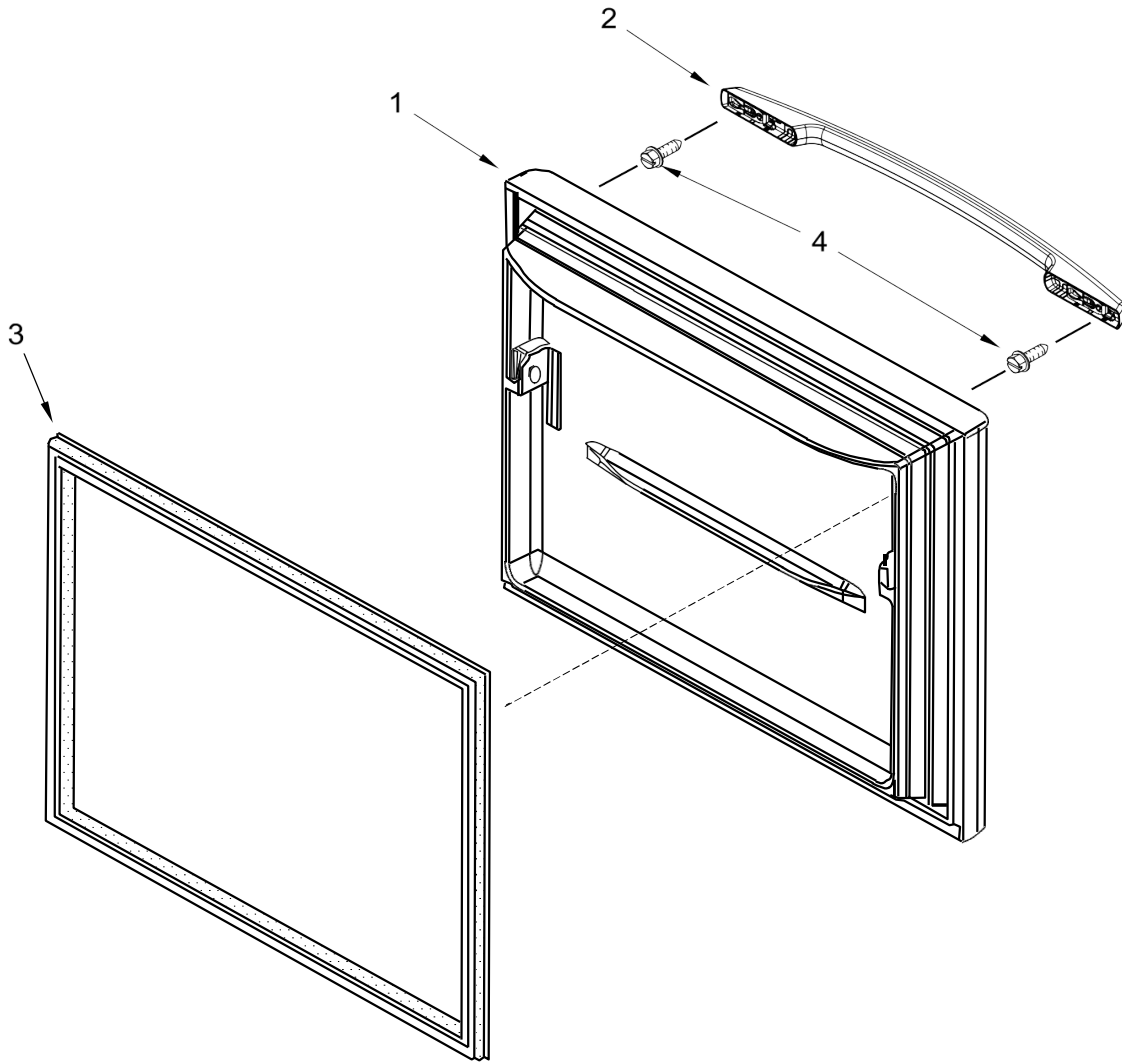


Refrigerador Maytag MBF1958XES6

<u>Illus. No.</u>	<u>Part No.</u>	<u>Description</u>
1		Liner (Not A Serviceable Part)
2	A3189392	Gasket, Foam
3	12002497	Gear
4	W10157765	Diverter, Air
5	12812901WD	Shaft, Rack
6	12570701	Socket, Light
7		Rail, Side
	W10516603	Left Hand
	W10516602	Right Hand
8	12990521	Screw
9	W10311527	Bulb, Light
10	W10277466	Housing, Foil
11	W10308414	Cover, Evaporator
12	12990101	Screw

<u>Illus. No.</u>	<u>Part No.</u>	<u>Description</u>
13		Bracket, Door
	W10330991	Left Hand
	W10330993	Right Hand
14	W10277025	Module, Light
15	13058002	Clip, Evaporator Motor
16	12466105	Switch, Light
17	12932103	Guide, Fill Tube
18		Cradle, Basket
	W10280608	Left Hand
	W10280613	Right Hand
19	W10120018	Slide, Door
20	A3189394	Gasket, Bottom
21		Adapter, Slide
	W10284684	Left Hand
	W10284685	Right Hand

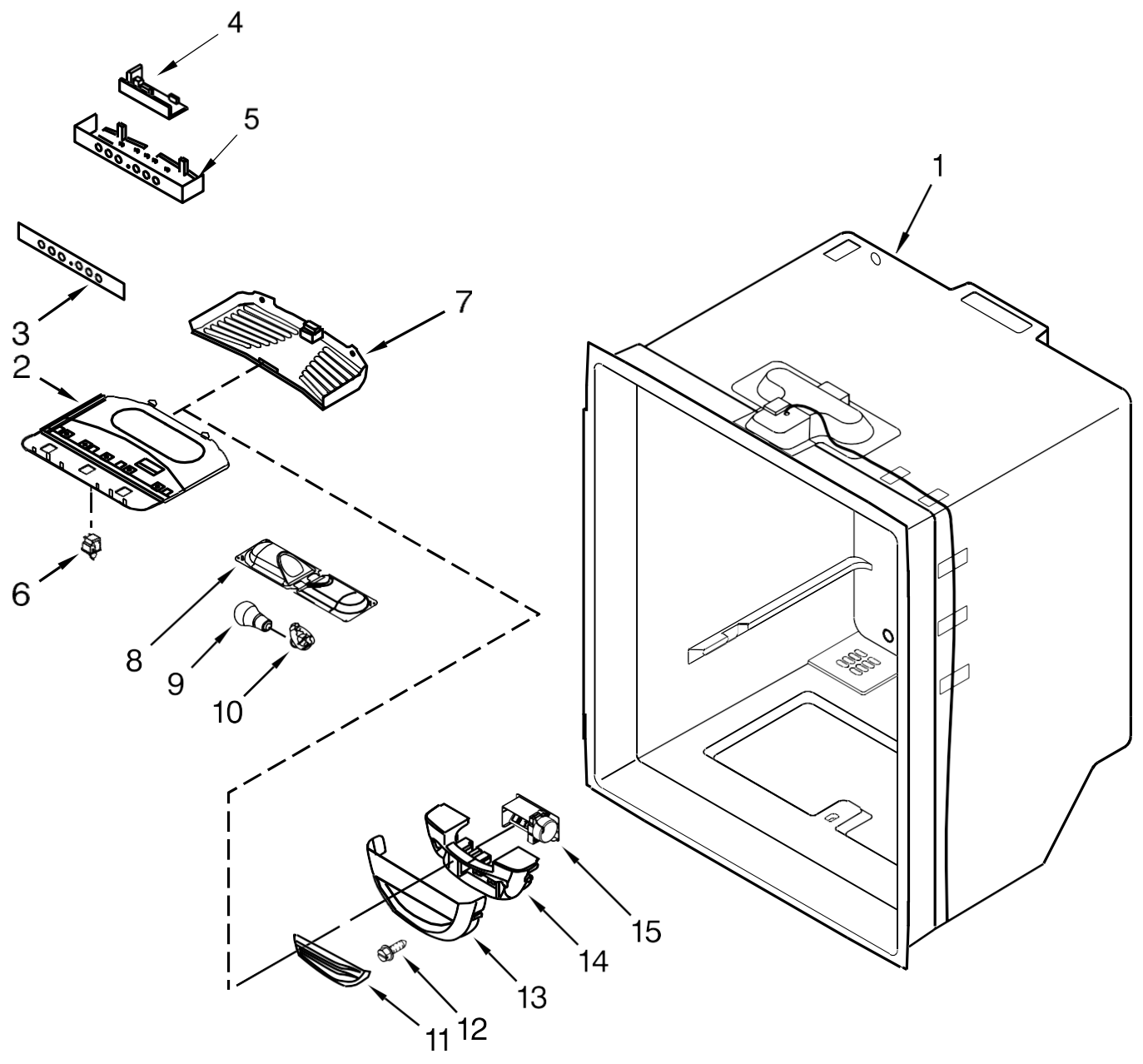
<u>Illus. No.</u>	<u>Part No.</u>	<u>Description</u>
22	13024803	Grille, Freezer Air
23	13057901	Shroud, Evaporator
24	2169142	Blade, Fan
25	W10121318	Grommet
26	W10128551	Motor, Evaporator
27	W10585187	Funnel, Drain
28	M0500703	Seal
29	B8381501	Gasket, Drain
30	12815301	Cover, Thermistor
31	12990501	Screw
32	12791409SP	Thermistor



<u>Illus. No.</u>	<u>Part No.</u>	<u>Description</u>
1		Door, Freezer
	13109220W	White
	13109220B	Black
	13109223S	Stainless

<u>Illus. No.</u>	<u>Part No.</u>	<u>Description</u>
2		Handle, Door
	W10252284N	White
	W10252285N	Black
	W10252288N	Stainless

<u>Illus. No.</u>	<u>Part No.</u>	<u>Description</u>
3		Gasket, Door
	W10443311	White
	W10436247	Black
4	W10288153	Screw



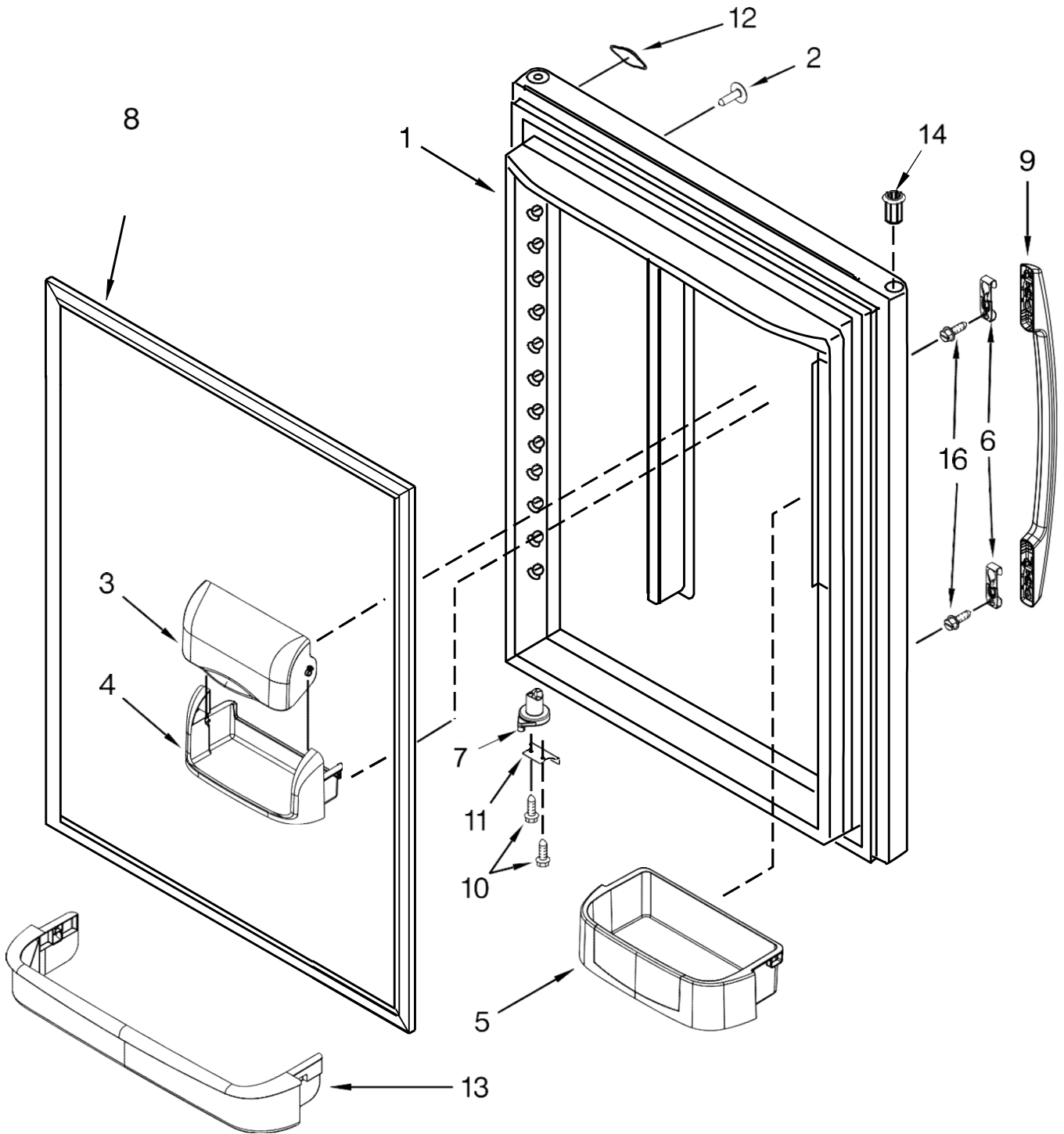


Refrigerador Maytag MBF1958XES6

<u>Illus.</u> <u>No.</u>	<u>Part No.</u>	<u>Description</u>
1		Liner (Not A Serviceable Part)
2	W10464757	Module, Light
3	W10207257	Overlay, Control
4	W10464769	Module, Control
5	W10503278	Control, Electronic
6	C3680310V	Switch, Light

<u>Illus.</u> <u>No.</u>	<u>Part No.</u>	<u>Description</u>
7	12806501	Cover, Light
8	W10443023	Housing, Light
9	W10311505N	Bulb, Light
10	12570701V	Socket, Light
11	12806801	Insert, Damper Cover
12	12990604	Screw
13	12806701	Cover, Damper

<u>Illus.</u> <u>No.</u>	<u>Part No.</u>	<u>Description</u>
14	13012402	Insulation, Damper
15	W10196393	Damper, Control
		Following Parts Not Illustrated
	W10422363	Harness, Control (Refrigerator)(Includes Thermistor)







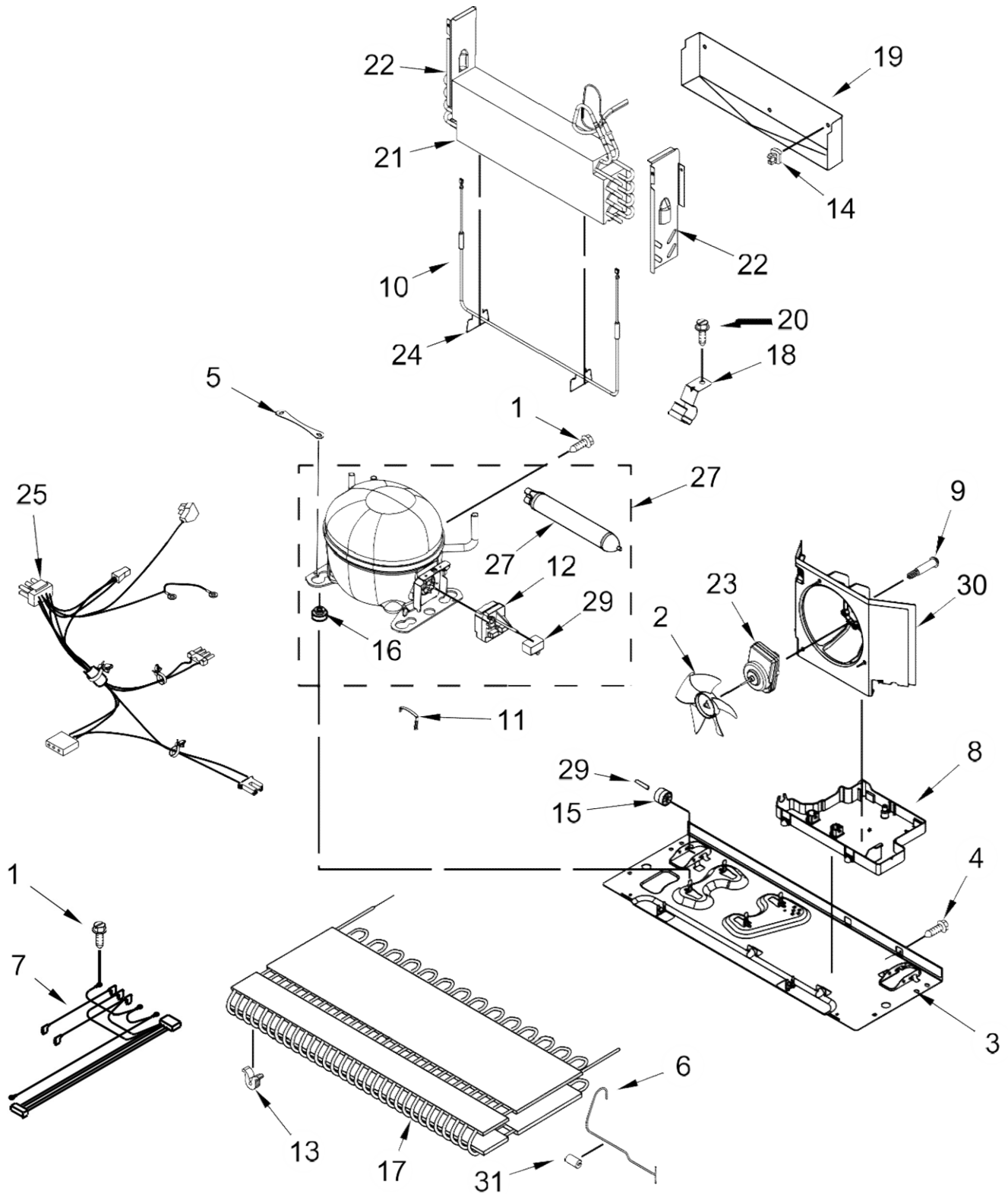
Refrigerador Maytag MBF1958XES6

<u>Illus.</u> <u>No.</u>	<u>Part No.</u>	<u>Description</u>
1		Door, Refrigerator
	13109402W	White
	13109402B	Black
	13107537S	Stainless
2		Plug-Button
	12246607	White
	12246608	Black
	12246610	Stainless
3	12804701SP	Door, Dairy
4	12369502SP	Tray, Dairy
5		Bucket, Door
	12801901	Bucket, Small
	12801902	Bucket, Medium
6	2255411	Clip, Handle Mount
7		Closure, Door
	12028505W	White
	12028505B	Black

<u>Illus.</u> <u>No.</u>	<u>Part No.</u>	<u>Description</u>
8		Gasket, Door
	W10443309	White
	W10436245	Black
9		Handle, Door
	W10252284N	White
	W10252285N	Black
	W10252288N	Stainless
10	12990504	Screw
11		Stop, Door
	10447111	White
	10447112	Black
12	W10170766	Badge, Maytag
13	12557904	Retainer, Door

<u>Illus.</u> <u>No.</u>	<u>Part No.</u>	<u>Description</u>
14		Bushing
	10961006W	White
	10961006B	Black
15	W10288153	Screw

Refrigerador Maytag MBF1958XES6



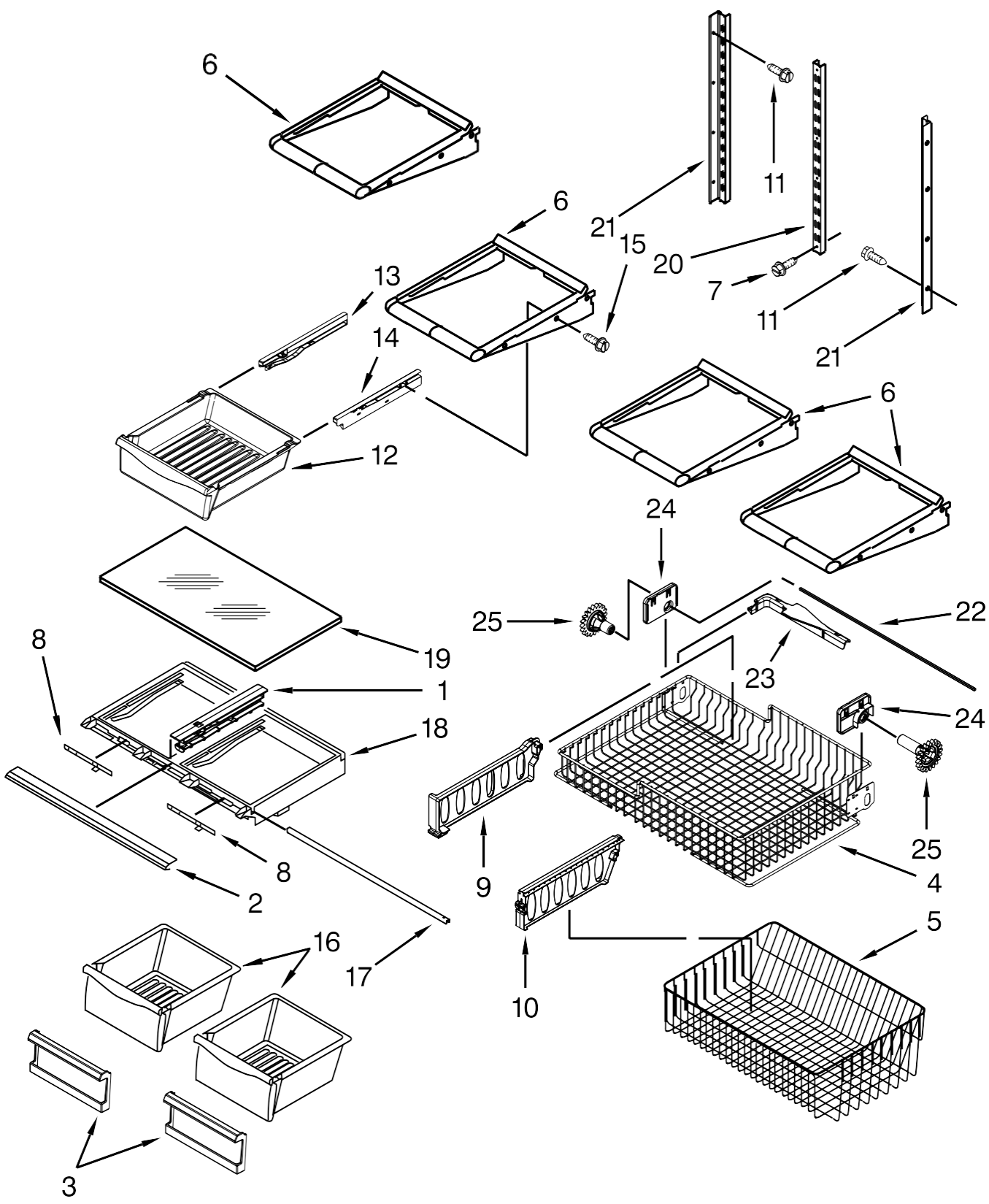


**Refrigerador Maytag MBF1958XES6**

<u>Illus. No.</u>	<u>Part No.</u>	<u>Description</u>
1	12992301	Screw
2	12825803	Blade, Fan
3	W10480107	Basepan
4	12990511	Screw
5	W10236396	Strap, Compressor
6	W10294014	Tube, Discharge
7	W10292244	Harness, Evaporator (Includes Heater)
8	W10296784	Pan, Drain
9	W10216919	Screw, Shoulder
10	12729127	Heater, Evaporator
11	W10174384	Strap, Bale
12		Start Protect, Combo
	W10448874	Device, Start
13	W10137529	Grommet, Condenser

<u>Illus. No.</u>	<u>Part No.</u>	<u>Description</u>
14	10623002	Clip, Evaporator
15	12477102	Roller
16	10835903SP	Grommet, Compressor
17	W10346423	Condenser
18	W10281329	Clip, Drier
19	W10292801	Tray, Drip
20	12990701	Screw
21	W10317012	Evaporator
22		Dam
	12225702	Right Hand
	12225602	Left Hand
23	W10239053	Motor, Fan
24	10428101	Clip, Heater
25	W10234031	Harness, Unit with Power Cord
26	W10177049	Drier

<u>Illus. No.</u>	<u>Part No.</u>	<u>Description</u>
27	W10445422	Compressor
28	W10350564	Capacitor
29	12477202	Axle, Roller
30	W10189184	Shroud
31	2319835	Grommet, Condenser
		Following Parts Not Illustrated
	978025	Valve, Access
	978026	Valve, Access
	978027	Valve, Access
	978028	Valve, Access
	978029	Valve, Access
	978030	Valve, Access
	876764	Valve, Access
		REFRIGERANT CHARGE 4.25 oz (R-134A)



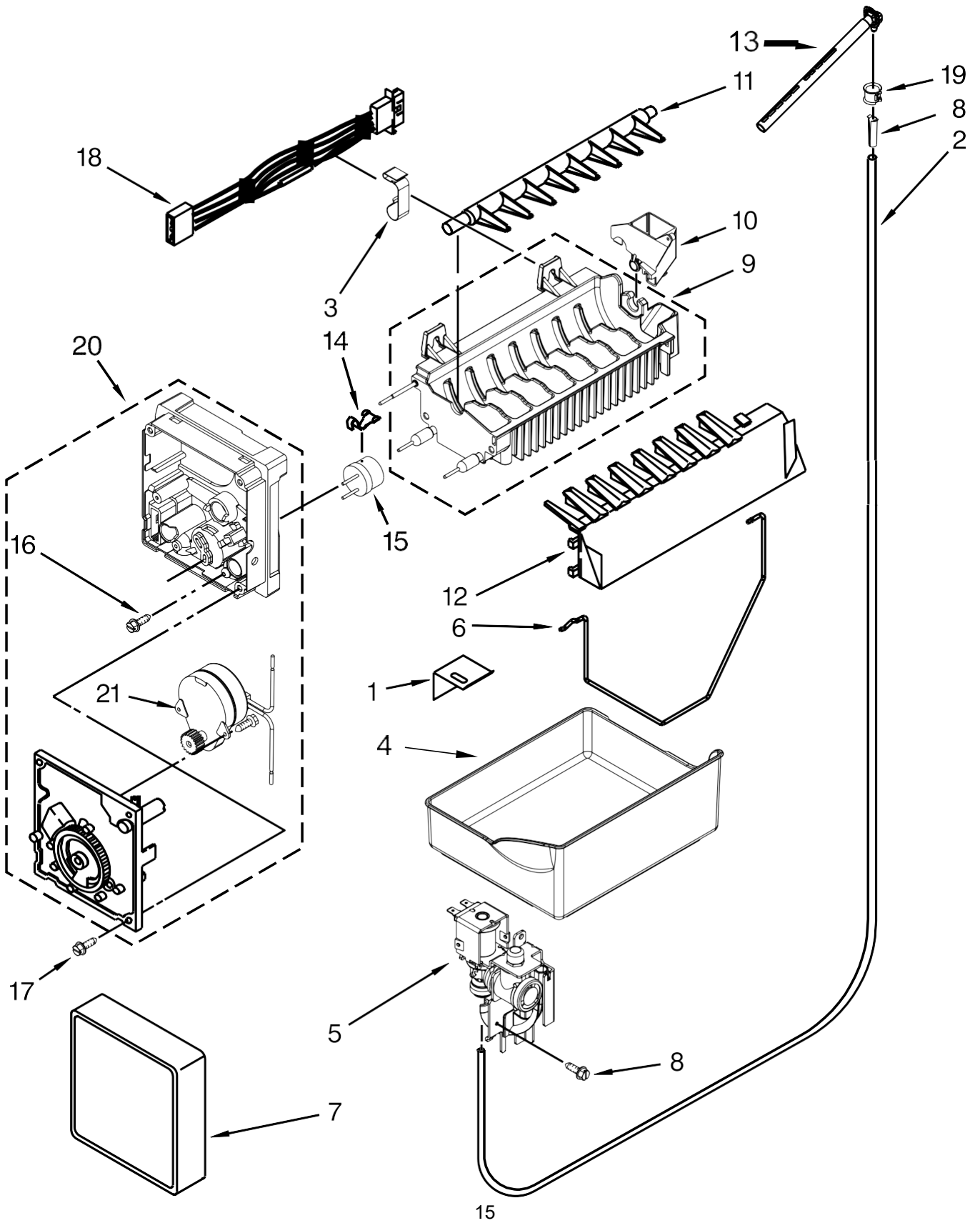


Refrigerador Maytag MBF1958XES6

<u>Illus.</u> <u>No.</u>	<u>Part No.</u>	<u>Description</u>
1	12530701N	Rail, Center Crisper
2	W10231339	Trim, Crisper
3	12643602	Front, Crisper
4	W10348236	Basket, Freezer (Upper)
5	W10503182	Basket, Freezer (Lower)
6	12463608	Shelf, Stationary
7	W10215666	Screw
8	12530805SP	Slide, Humidity Control
9	W10241046	Divider, Upper
10	W10146440	Divider, Lower Basket
11	12990513	Screw

<u>Illus.</u> <u>No.</u>	<u>Part No.</u>	<u>Description</u>
12	12656504V	Pan, Deli
13		Glide, Deli
	12656601V	Left Hand
14		Glide, Deli
	12656602V	Right Hand
15	12990302V	Screw
16	12531305	Pan, Crisper
17	12227302WD	Brace, Crisper Cover
18	12530901SP	Frame, Crisper
19	12204823N	Glass, CrisperCover
20	W10273463	Ladder, Center
21	W10251970	Ladder, Side
22	12812906WD	Shaft, Rack

<u>Illus.</u> <u>No.</u>	<u>Part No.</u>	<u>Description</u>
23	W10149389N	Lift, BailArm
24		Mount, Gear
	W10348260	Right Hand
	W10348259	Left Hand
25		Gear
	W10474715	Right Hand
	W10474716	Left Hand





Refrigerador Maytag MBF1958XES6

<u>Illus.</u>	<u>No.</u>	<u>Part No.</u>	<u>Description</u>
	1	2256086	Bracket, Ice Maker
	2	W10449192	Tube, Plastic
	3	10526702	Clamp, Wire
	4	W10171529	Pan, Ice
	5	W10498976	Valve, Inlet
	6	W10512602	Arm, Shut Off
	7	12582501	Cover, Front
	8	A3223101	Insert, Tube

<u>Illus.</u>	<u>No.</u>	<u>Part No.</u>	<u>Description</u>
	9	W10300025	Assembly, Mold & Heater
	10	W10410073	Cup, Water Fill
	11	W10318914	Ejector, Arm
	12	W10122563	Stripper, Ice
	13	10463203	Elbow, Fill Tube
	14	628379	Clip, Thermal Fuse
	15	W10290336	Thermostat
	16	8533917	Screw

<u>Illus.</u>	<u>No.</u>	<u>Part No.</u>	<u>Description</u>
	17	489464	Screw
	18	W10458985	Harness, Ice Maker
	19	M0114003	Clip, Speed
	20	W10281342	Assembly, Module And Motor
	21		Motor (Not Available, Order #20)
	100	W10469286	Icemaker Assembly (Complete)



Refrigerador Maytag MBF1958XES6

**PAINT, TOUCH-UP (1/2OZ.)**

Illus.

<u>No.</u>	<u>Part No.</u>	<u>Description</u>
	72017	White
	72032	Black
	511873	White Porcelain (2 oz.)
	4392899	Biscuit/Bisque

**PAINT, PRESSURIZED SPRAY (12 OZ.)**

Illus.

<u>No.</u>	<u>Part No.</u>	<u>Description</u>
	350930	White
	350939	Enamel, Black
	285006	Black
	350942	White Primer
	4392901	Biscuit/Bisque

**PAINT, BULK (1 QT.)**

Illus.

<u>No.</u>	<u>Part No.</u>	<u>Description</u>
	799344	White

**MISCELLANEOUS**

Illus.

<u>No.</u>	<u>Part No.</u>	<u>Description</u>
	212643	Sealer, Gum (4 Feet)
	479502	Tape, Vinyl (3/4 x 108")
	876370	Insulation (2 Pieces, 3" x 24" x 48")
	876305	Insulation Kit (14 Pieces, 3" x 24" x 48")
	978941	Insulation, Fiberglass (63 1/2" x 35 1/2" x 2 5/8")
	876029	Kit, Foam Slab (30" x 32 1/2" x 1 1/2")
	505587	Sealer, Mastic (1 Qt)
	503695	Cork, Sealer
	20000008	Cleaner, Stainless Steel
	542638	Grease, Silicone (1/2 Oz.)
	542639	Cement, Alumilastic (1 1/4 Oz.)
	833938	Kit, Terminal Connector

**TORX SCREW WRENCH**

Illus.

<u>No.</u>	<u>Part No.</u>	<u>Description</u>
	1117510	Torx Key