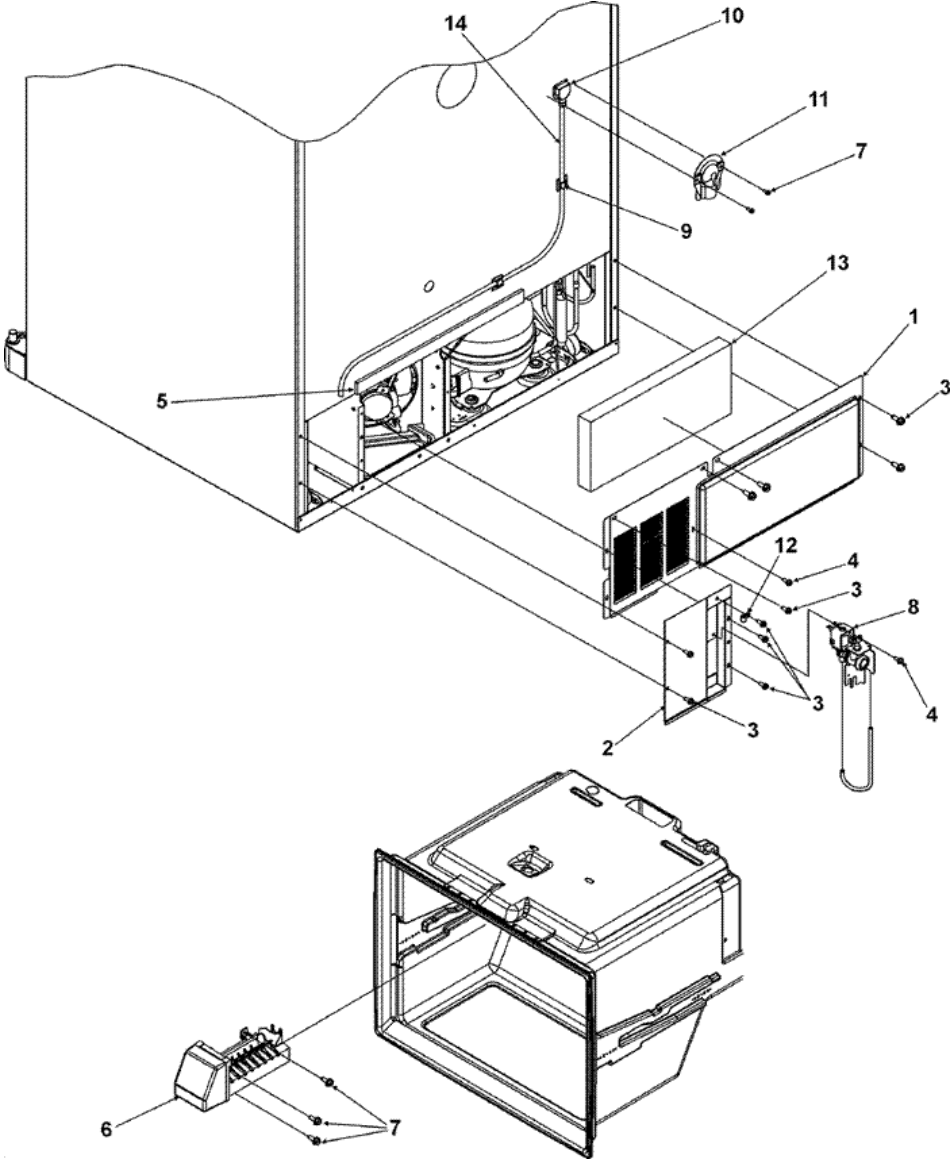


**MBF2254HES CABINET**

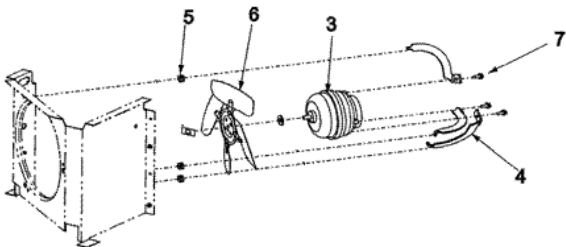
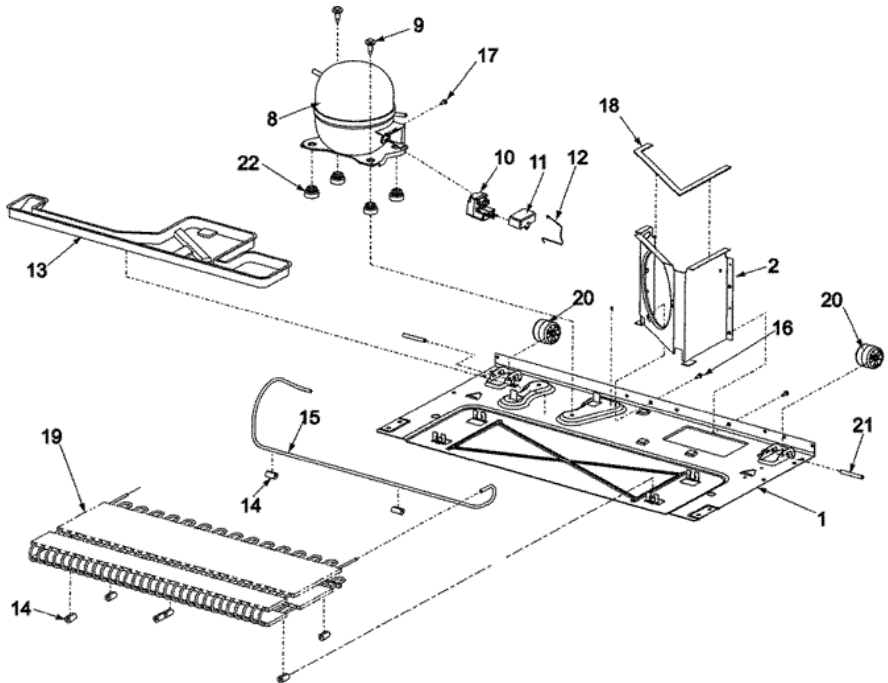




## MBF2254HES CABINET

1	12575101ED	BACK, MACH COMP (S/P)
2	12479802	COVER, WATER VALVE (S/P)
3	M0238616	SCREW, SM (S/P)
4	M0251015	SCREW (S/P)
5	B5759649	GASKET, MC BACK (S/P)
6	D7824706Q	ICE MAKER ASSY. (S/P)
7	M0211018	SCREW, SM (S/P)
8	67003753	VALVE, WATER (S/P)
9	M0104106	CLIP (S/P)
10	M0114003	CLIP, SPEED (S/P)
10	W10137519	ELBOW, FILL TUBE (S/P)
11	67003331	COVER, WATER LINE (S/P)
12	2221070	CLAMP, TUBE (S/P)
13	67003796	FIBER, ACOUSTIC (S/P)
14	B5705307	TUBE, PLASTIC (S/P)
14	A3223101	INSERT, PLASTIC TUBE (S/P)
15	67006506	CORD, POWER (S/P)

**MBF2254HES COMPRESOR (SERIE 10)**





**MBF2254HES COMPRESOR (SERIE 10)**

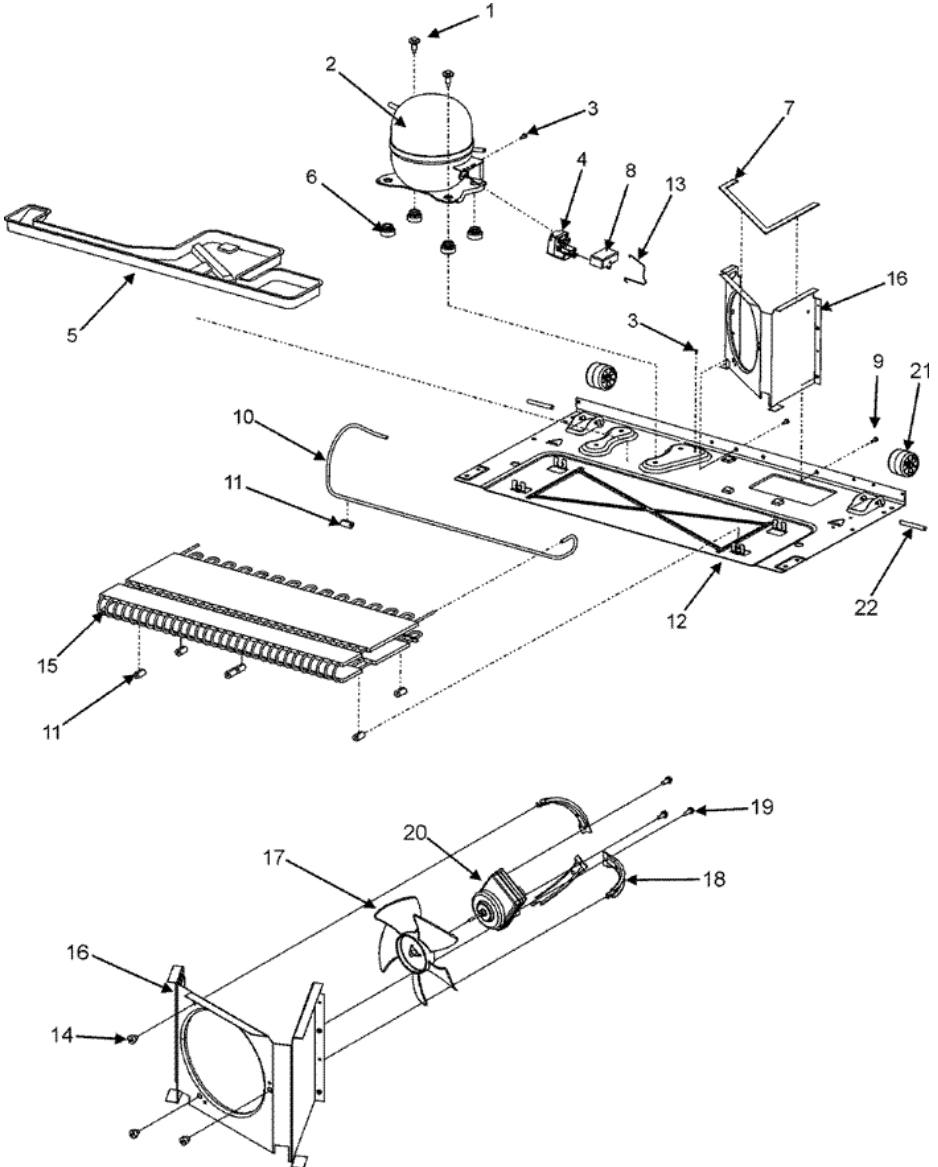
1	12591403	BASEPAN, MACHINE COMPARTM. <b>DESCONTINUADO</b>
2	67001090	SHROUD, CONDENSER FAN <b>DESCONTINUADO</b>
3	10884507	MOTOR, CONDENSER FAN <b>(S/P)</b>
4	67003354	BRACKET, CONDENSER MOTOR <b>(S/P)</b>
5	61004743	GROMMET, BRACKET <b>(S/P)</b>
6	12587601	BLADE, COND FAN <b>(S/P)</b>
7	M0223816	SCREW, TR <b>(S/P)</b>
8	W10160407	COMPRESSOR, TPG1370YXA(BM) <b>(S/P)</b>
9	M0221523	SCREW, SHLDR <b>(S/P)</b>
10	67003764	OVERLOAD/RELAY W/CAPACITOR <b>(S/P)</b>
11	C8931612	CAPACITOR
12	12576801	STRAP, BALE <b>(S/P)</b>
13	12477402	PAN, DRAIN <b>(S/P)</b>
14	67005680	GROMMET, CONDENSER <b>(S/P)</b>
15	12532602Q	TUBE, DISCHARGE <b>(S/P)</b>
16	M0238616	SCREW, SM <b>(S/P)</b>
17	M0231604	SCREW, TF <b>(S/P)</b>
18	61003832	SEAL <b>(S/P)</b>
19	67006132	CONDENSER <b>(S/P)</b>
20	67005149	ROLLER <b>(S/P)</b>
21	67006434	AXLE, ROLLER <b>(S/P)</b>
22	67003493	GROMMET, COMPRESSOR <b>(S/P)</b>
23	67005069	HARNES, MC <b>(S/P)</b>

Distribuidor Autorizado

SurteRápido.com

Venta de Refacciones  
Electrodomesticas

# MBF2254HES COMPRESOR (SERIE 11)





## MBF2254HES COMPRESOR (SERIE 11)

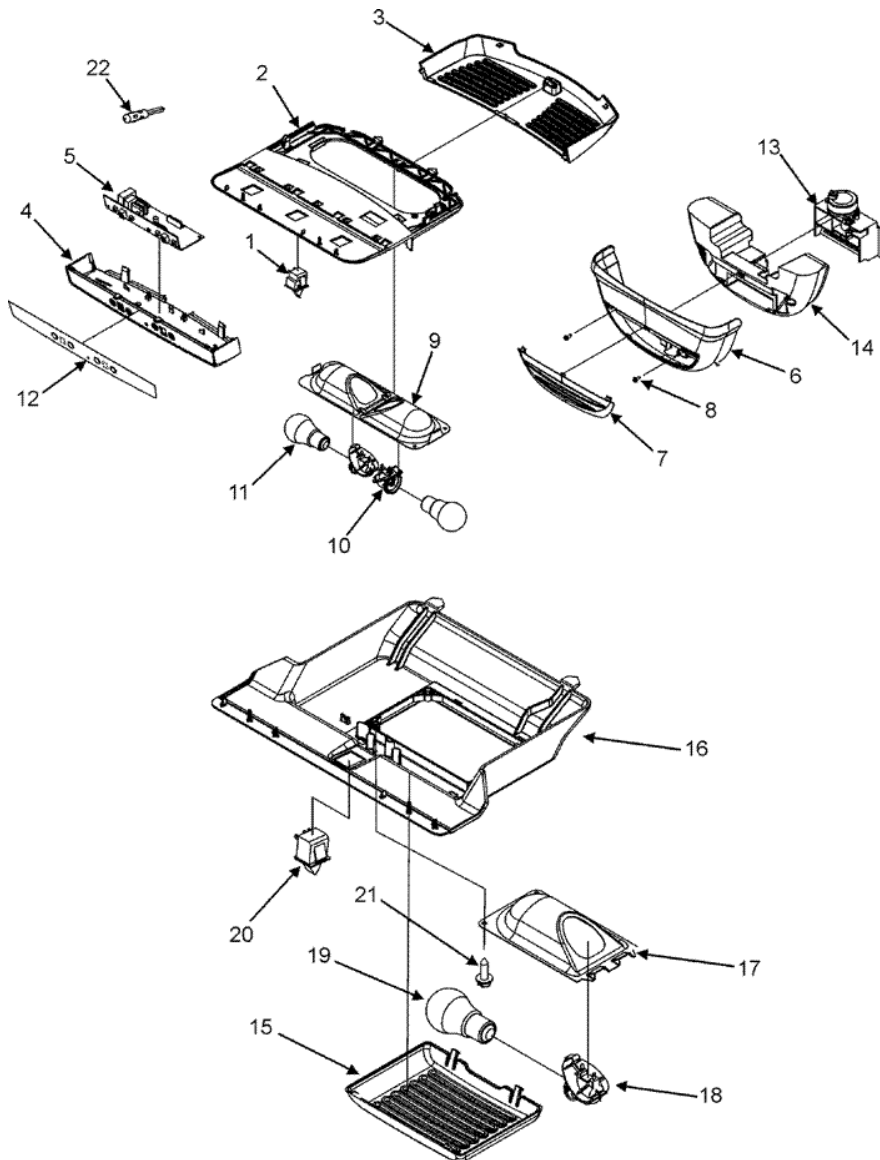
1	M0221523	SCREW, SHLDR (S/P)
2	W10160407	COMPRESSOR, TPG1370YXA(BM) (S/P)
3	M0231604	SCREW, TF (S/P)
4	67005560	OVERLOAD/RELAY W/CAPACITOR (S/P)
5	12477402	PAN, DRAIN (S/P)
6	67003493	GROMMET, COMPRESSOR (S/P)
7	61003832	SEAL (S/P)
8	C8931612	CAPACITOR
9	M0238616	SCREW, SM (S/P)
10	12532602Q	TUBE, DISCHARGE (S/P)
11	67005680	GROMMET, CONDENSER (S/P)
12	12591403	BASEPAN, MACHINE COMPARTM. <b>DESCONTINUADO</b>
13	12576801	STRAP, BALE (S/P)
14	61004743	GROMMET, BRACKET (S/P)
15	67006132	CONDENSER (S/P)
16	67001090	SHROUD, CONDENSER FAN <b>DESCONTINUADO</b>
17	W10156818	BLADE, COND FAN (S/P)
18	67004953	BRACKET, COND MOTOR (S/P)
19	67004954	SCREW (S/P)
20	W10239053	MOTOR, CONDENSER FAN
21	67005149	ROLLER (S/P)
22	67006434	AXLE, ROLLER (S/P)
23	67005251	HARNESS, MC (S/P)

Distribuidor Autorizado

SurteRápido.com

Venta de Refacciones  
Electrodomesticas

## MBF2254HES CONTROLS



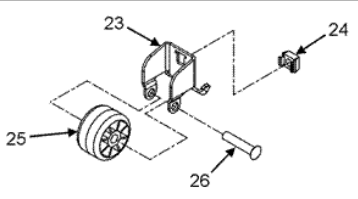
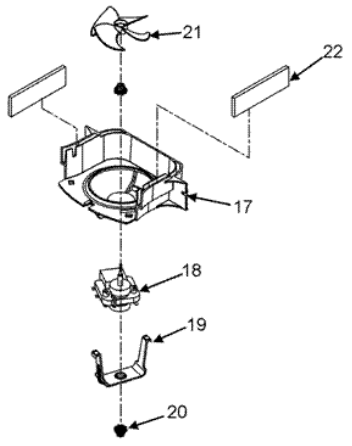
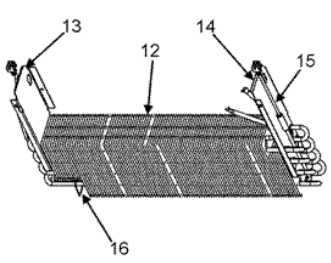
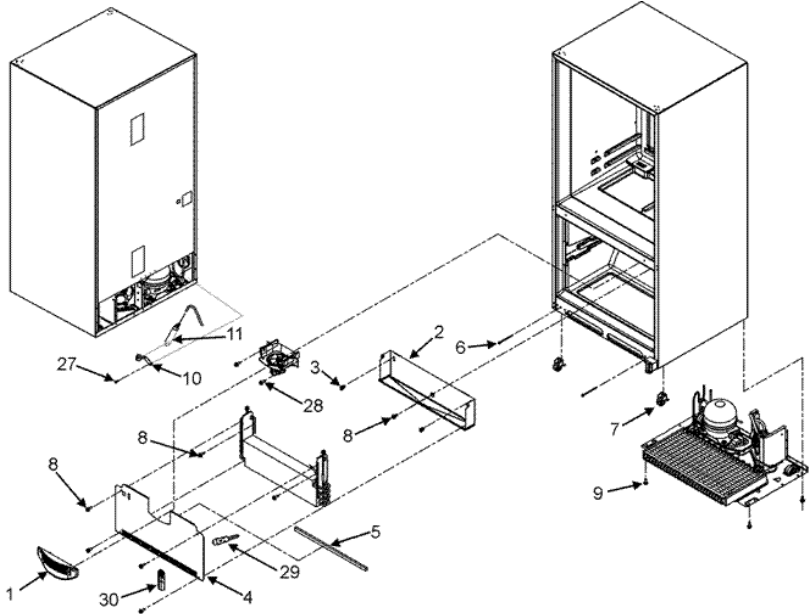


**MBF2254HES CONTROLS**

1	C3680310	SWITCH, LIGHT (S/P)
2	Y67003896	MODULE, LIGHT (S/P)
3	67003897	COVER, REF LIGHT (S/P)
4	67003898	MODULE, REF CONTROL
5	12868513	CONTROL BOARD KIT (JAZZ)
6	12806701	COVER, DAMPER (S/P)
7	67003900	INSERT, DAMPER COVER (S/P)
8	M0213132	SCREW (S/P)
9	67003901	HOUSING, LIGHT (S/P)
10	W10134764	SOCKET, LIGHT (S/P)
11	67003883	BULB, LIGHT x (S/P)
12	67004058	OVERLAY, CONTROL MODULE (S/P)
13	67005162	HARNESS, DAMPER (S/P)
13	67003903	DAMPER, CONTROL (S/P)
14	67003904	INSULATION, DAMPER CONTROL (S/P)
15	67003905	COVER, FZ LIGHT (S/P)
16	67003906	MODULE, FZ CONTROL (S/P)
17	67001035	HOUSING, LIGHT (S/P)
18	W10134764	SOCKET, LIGHT (S/P)
19	67003883	BULB, LIGHT x (S/P)
20	12002646	SWITCH, LIGHT/INTRLK (S/P)
21	M0226528	SCREW, TC (S/P)
22	12002355	THERMISTOR KIT
23	67004033	HARNESS, FF MODULE (S/P)
23	67003908	HARNESS, FZ MODULE (S/P)



**MBF2254HES EVAPORATOR**

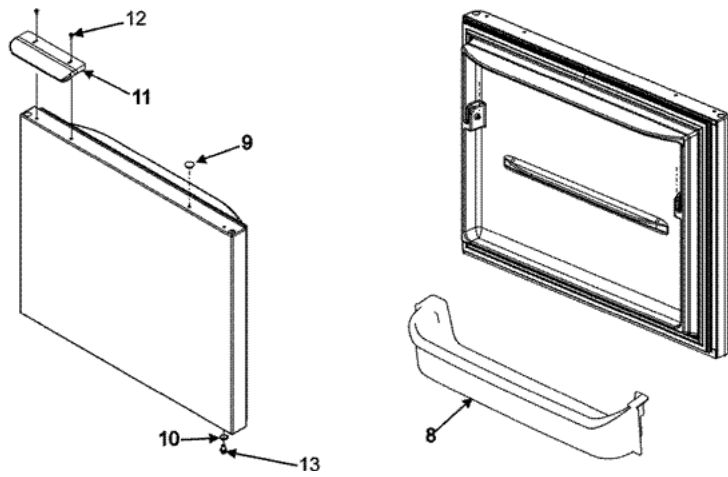
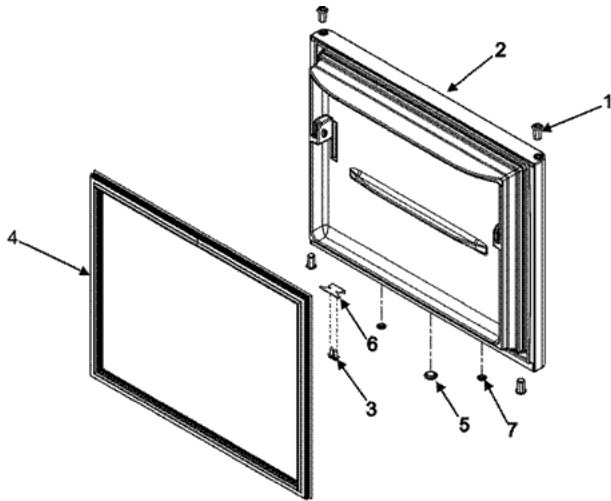




## MBF2254HES EVAPORATOR

1	W10175909	GRILLE, FZ AIRxx (S/P)
2	W10292802	TRAY, DRIP E-CT (S/P)
3	10623002	CLIP, EVAPORATOR (S/P)
4	12226105	COVER, EVAPORATOR (S/P)
5	A3189395	GASKET (S/P)
6	67006611	BOLT, ROLLER ADJ (S/P)
7	12580304	ROLLER BRACKET ASSY (S/P)
8	M0238616	SCREW, SM (S/P)
9	M0260242	SCREW, TF (S/P)
10	10547002	CLIP, DRIER (S/P)
11	B2150504	DRIER (S/P)
12	12001919	KIT, EVAPORATOR
13	12225601	DAM, LEFT RETURN (S/P)
14	67001084	DAM, RIGHT RETURN (S/P)
15	67001794	HEATER, DEFROST
16	10428101	CLIP, EVAP HEATER (S/P)
17	67002777	SHROUD, EVAP FAN (S/P)
18	W10128551	MOTOR, EVAP FAN (S/P)
19	67005633	CLIP (S/P)
20	67002780	GROMMET, FAN MOTOR (BLK) (S/P)
21	2169142	FAN, EVAPORATOR (S/P)
22	A3189392	GASKET, FOAM (S/P)
23	12456801V	BRACKET, ROLLER (S/P)
24	M0286708	NUT, SPEED (S/P)
25	67005127	ROLLER (S/P)
26	M1205302	RIVET (S/P)
27	67002525	SCREW, SELF DRILL (S/P)
28	M0211018	SCREW, SM (S/P)
29	12002355	THERMISTOR KIT
30	67003924	COVER, FZ THERMISTOR (S/P)
31	67003426	THERMOSTAT, DEFROST (S/P)
32	67003931	HARNES, EVAP HEATER (S/P)

**MBF2254HES FREEZER DOOR**

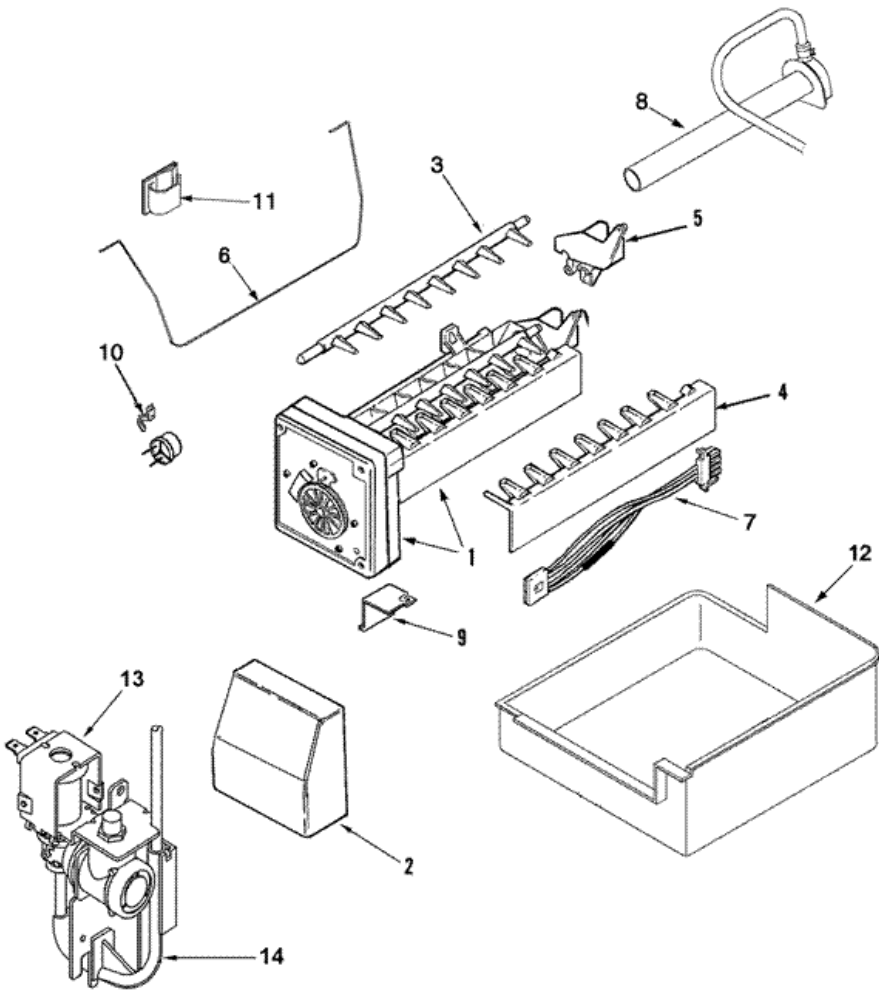




## MBF2254HES FREEZER DOOR

1	67004978	BUSHING, DOOR (BLK) (S/P)
2	12658927SQ	FZ DR FOAM ASSY (STNLS) (S/P)
3	M0211533	SCREW, MOUNTING (S/P)
4	67003555	GASKET, FZ DOOR (BLK) (S/P)
5	A3080001	PLUG, BUTTON (BLK) (S/P)
6	10447109	STOP, DOOR (BLK) (S/P)
7	67001016	PLUG, BUTTON (BLK) (S/P)
8	67003934	RETAINER, FZ DOOR (S/P)
9	12246606	PLUG, HANDLE HOLE (STNLS) (S/P)
10	M0274062	SHIM, NON METAL (BLK) (S/P)
11	67003572	HANDLE, FZ DR (STNLS) (S/P)
11	126479015	SPACER, HANDLE (STNLS) (S/P)
12	M0213530	SCREW, SM (STNLS) (S/P)
13	67007018	PIN, HINGE (BTM) (S/P)

**MBF2254HES ICE MAKER**

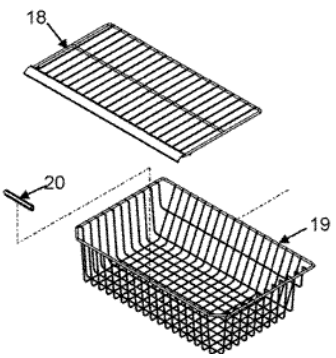
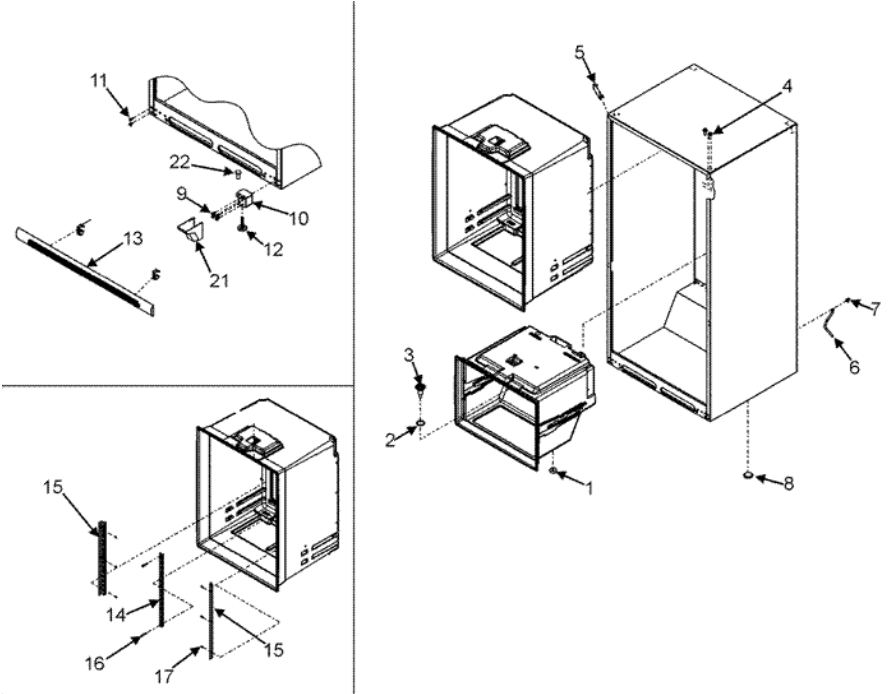




**MBF2254HES ICE MAKER**

1	M0211018	SCREW, SM (S/P)
1	D7824706Q	ICE MAKER ASSY. (S/P)
2	W10289690	COVER, ICE MAKER (S/P)
3	627843	EJECTOR, ICE (S/P)
4	2182124	STRIPPER, ICE (S/P)
5	628356	INLET, WATER (S/P)
6	67004028	ARM, ICE MAKER (S/P)
7	D7813010	HARNESS, ICE MAKERx (S/P)
8	W10137519	ELBOW, FILL TUBE (S/P)
9	95108-1	SCREW, BRACKET (S/P)
9	2256087	BRACKET, MODULE & HEATER (S/P)
10	2315522	RETAINER, THERMOSTAT (S/P)
11	M0104106	CLIP (S/P)
12	67001255	PAN, ICE (S/P)
13	67003753	VALVE, WATER (S/P)
14	B5705307	TUBE, PLASTIC (S/P)
15	2221070	CLAMP, TUBE (S/P)
16	M0114003	CLIP, SPEED (S/P)
16	A3223101	INSERT, PLASTIC TUBE (S/P)
17	10244904	COUPLING (S/P)

# MBF2254HES FREEZER SHELVES



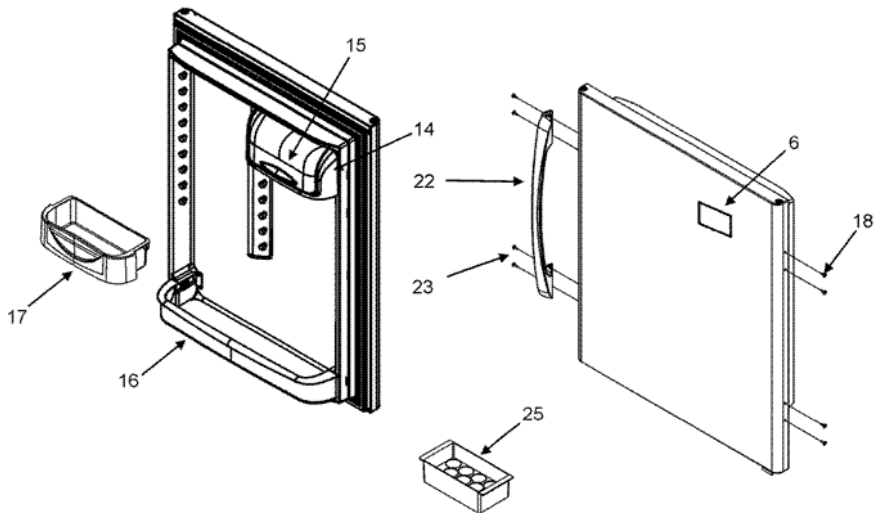
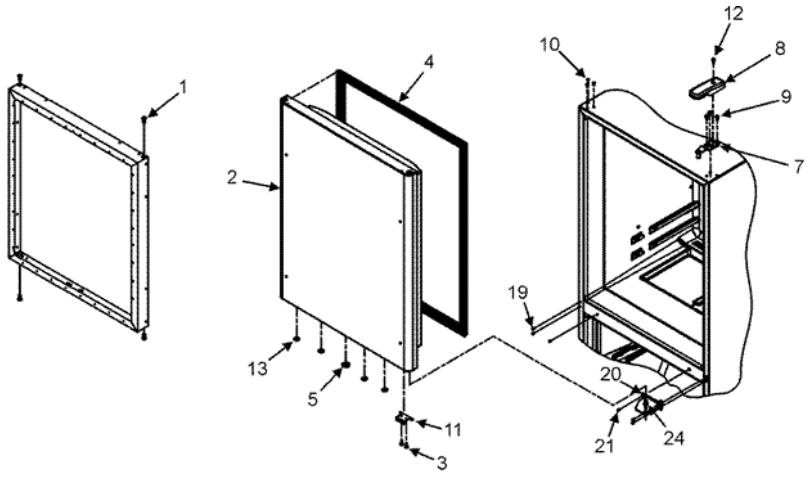


## MBF2254HES FREEZER SHELVES

1	B8381501	GASKET, DRAIN TUBE (S/P)
2	M0500703	SEAL, O RING (S/P)
3	W10178188	FUNNEL, DRAIN (S/P)
4	A4539607	POP RIVET (S/P)
5	67003485	COVER, CORNER (BLK) (S/P)
6	67001066	TUBE, DRAIN (S/P)
7	67001067	CLIP, DRAIN TUBE (S/P)
8	A3076901	PLUG, BUTTON (S/P)
9	67003858	SCREW, BOTTOM HINGE (S/P)
10	W10215662	HINGE, BOTTOM E-CT (BLK) (S/P)
11	M0233847	SCREW (S/P)
12	67003868	BRAKE, FOOT (S/P)
13	12627302	CLIP, TOE GRILLE (S/P)
13	67002224	GRILLE ASSY., TOE (BLK) (S/P)
14	67001073	LADDER, CENTER (S/P)
15	67001317	LADDER, SIDES (S/P)
16	M0231425	SCREW (S/P)
17	M0238642	SCREW, SM (S/P)
18	67001075	SHELF, FRZ. (S/P)
19	W10143566	BASKET, LOWER 33`` (S/P)
20	10508506	HANDLE, BASKET/SHELF (S/P)
21	12561901B	COVER, LWR HINGE (BLK) (S/P)
22	M0310343	PLUG, BUTTON (WHT) (S/P)



**MBF2254HES REFRIGERATOR DOOR**

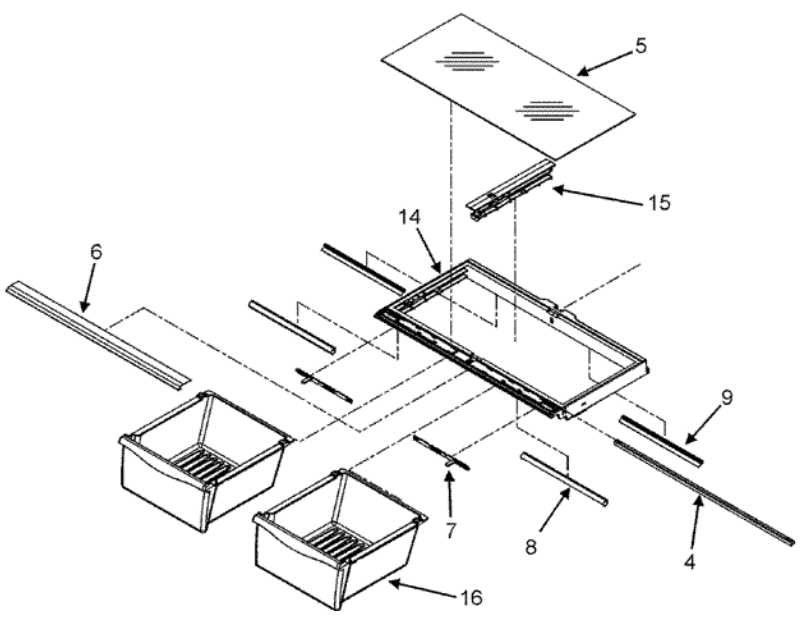
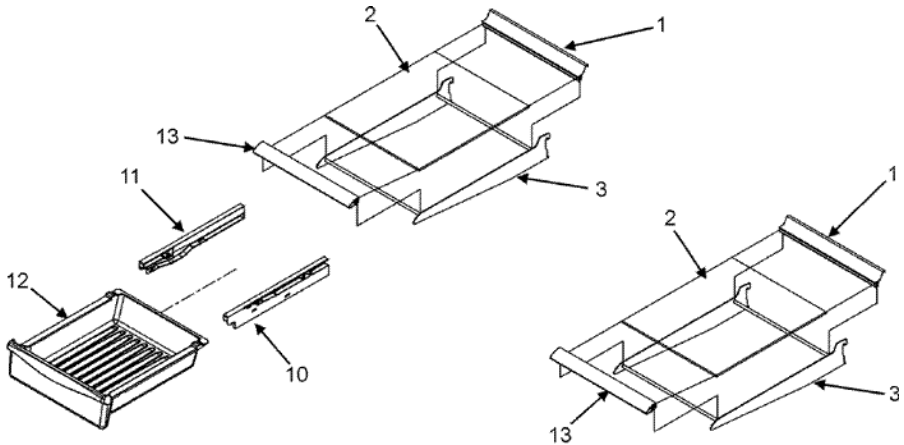




## MBF2254HES REFRIGERATOR DOOR

1	67004978	BUSHING, DOOR (BLK) (S/P)
2	12658530SQ	DOOR ASSY., REF. FOAM (STNLS) (S/P)
3	M0211533	SCREW, MOUNTING (S/P)
4	67003553	GASKET, REF DOOR (BLK) (S/P)
5	A3080001	PLUG, BUTTON (BLK) (S/P)
6	2324038	NAMEPLATE (S/P)
7	12566606ED	HINGE, TOP (BLK) (S/P)
8	67001012	COVER, TOP HINGE (BLK) (S/P)
9	M0238731	SCREW, TF (S/P)
10	M0310731	PLUG, TOP HINGE BUTTON (BLK) (S/P)
11	10447109	STOP, DOOR (BLK) (S/P)
12	M0211533	SCREW, MOUNTING (S/P)
13	67001016	PLUG, BUTTON (BLK) (S/P)
14	67001279	TRAY, DAIRY (S/P)
15	67003637	DOOR, DAIRY (S/P)
16	12690502	RETAINER, DOOR (S/P)
17	67004040	BUCKET, REF DR (MED) (S/P)
18	12246606	PLUG, HANDLE HOLE (STNLS) (S/P)
19	M0239730	SCREW, TF (S/P)
20	12607104ED	HINGE, CENTER (BLK) (S/P)
21	M0226233	SCREW, T. F. (S/P)
22	12846204S	HANDLE ASSY., REF DOOR (STNLS) (S/P)
23	67004048	SCREW (CLEAR) (S/P)
24	M0274062	SHIM, NON METAL (BLK) (S/P)
24	67006744	PIN, HINGE (CTR) (S/P)
25	67215-2	TRAY, EGG (S/P)

**MBF2254HES REFRIGERATOR SHELVES**





## MBF2254HES REFRIGERATOR SHELVES

1	10946008	EXTR, REAR SHELF (S/P)
2	10370099	GLASS, SHELF (S/P)
3	10460107	FRAME, SHELF (S/P)
4	12227303WD	BRACE, CRISPER E-CT (S/P)
5	67006878	GLASS, CRISPER (S/P)
6	W10231343	EXTR, FRONT CRISPER (S/P)
7	67005864	SLIDE, HUMIDITY CONTROL (S/P)
8	67001063	SEAL, FRONT CRISPER (S/P)
9	67001768	SEAL, REAR CRISPER
10	M0214931	SCREW (S/P)
10	67001053	GLIDE (RT) (S/P)
11	67001054	GLIDE (LT) (S/P)
11	M0214931	SCREW (S/P)
12	67001314	PAN, DELI (S/P)
13	10459927	EXTR, FRONT SHELF (S/P)
14	67001056	FRAME, CRISPER (S/P)
15	67001057	RAIL, CENTER CRISPER (S/P)
16	67002633	PAN, CRISPER (S/P)