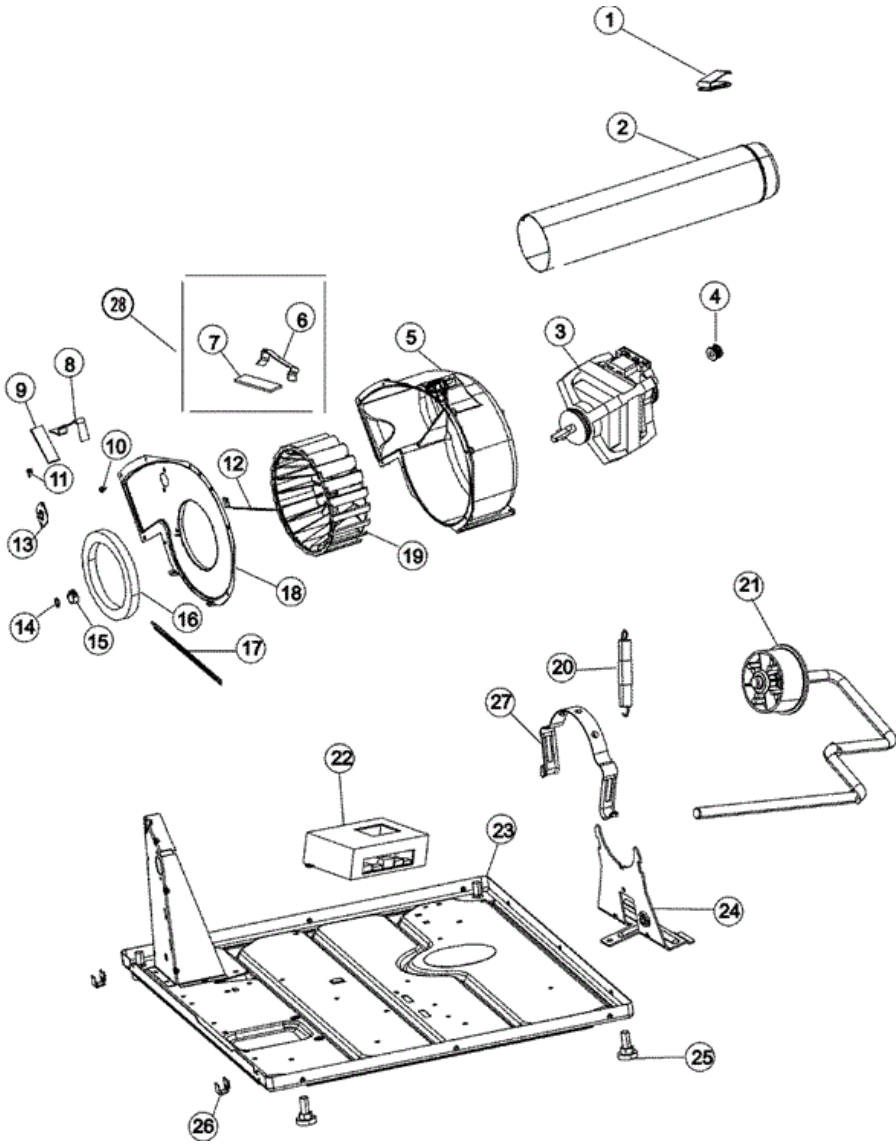


MCE8000AYW BASE, TURBINA

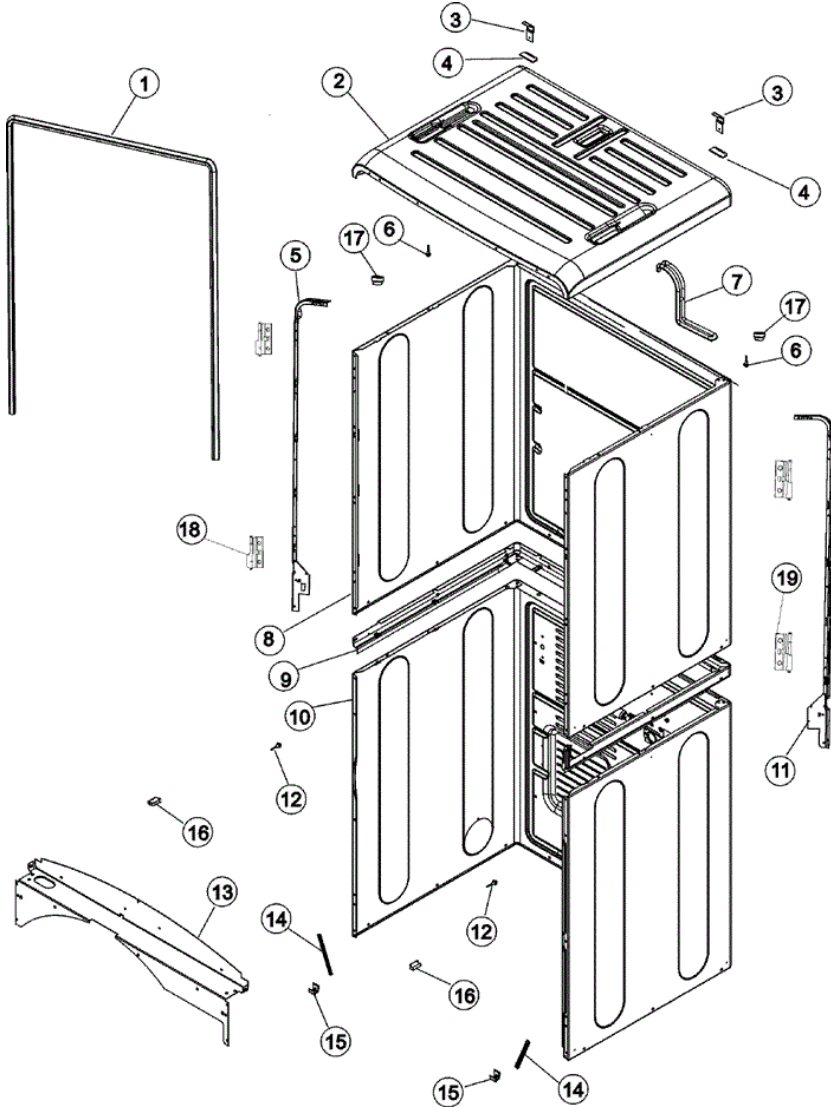




MCE8000AYW BASE, TURBINA

1	31001572	10	CLIP, VENT PIPE GROUND
2	53-0134	10	DUCT, EXHAUST
3	31001589	10	MOTOR (115V-60HZ 1/3HP)
4	31001535	10	PULLEY, MOTOR (60HZ)
5	53-1801	10	HOUSING, BLOWER
6	31001470	10	GLIDE, TUMBLER (LT)
7	31001356	10	PAD, GLIDE
8	31001469	10	GLIDE, TUMBLER (RT)
9	31001356	10	PAD, GLIDE
10	31001267	10	SCREW
11	25-7890	10	SCREW
12	53-1026	10	GUIDE, VANE INLET
13	31001590	10	THERMISTOR, TEMP CONTROL
14	25-7855	10	RING, RETAINING
15	25-7823	10	CLAMP
16	31001541	10	SEAL, BLOWER/COLLECTOR DUCT
17	53-1625	10	BRACE, TUMBLER SUPPORT
18	53-1934	10	COVER, BLOWER HOUSING
19	31001317	10	WHEEL, BLOWER (DEEPP)
20	31001465	10	SPRING, IDLER
21	31001571	10	SCREW, 10-24X0700 HXWSHRHD TY
21	31001710	10	IDLER ARM ASSEMBLY
22	25-7890	10	SCREW
22	31001561	10	RELAY BOARD ASSEMBLY
22	53-4643	12	RELAY BOARD ASY
23	31001569	10	WASHER, 1/2``
23	31001586	10	BASE ASSEMBLY
24	25-7732	10	SCREW
24	31001570	10	BRACKET, MOTOR
25	35-3507	10	FOOT & PAD ASSY
26	53-0120	10	CLIP, FRONT PANEL
27	53-0214	10	CLAMP, MOTOR
28	LA-1006	10	GLIDE KIT, TUMBLER

MCE8000AYW GABINETE

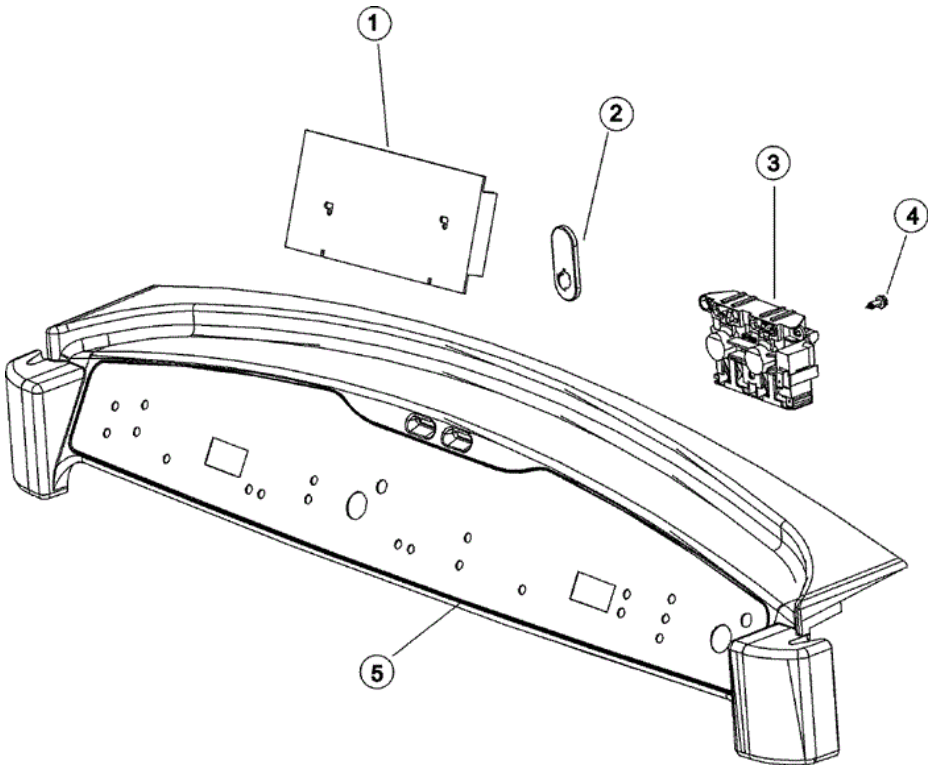




MCE8000AYW GABINETE

1	31001618	10	SEAL, DOOR PERIMETER
2	31001619	10	COVER, TOP (WHT)
3	63-5712	10	HINGE, CABINET TOP
4	35-4128	10	PAD, HINGE
5	31001612	10	SUPPORT, CABINET (LT)
5	31001721	10	SCREW, ABNO.8-18X3/8 HXWS
6	21001829	10	POST, LOCATING
7	31001680	10	HANGER, EXTERNAL RACK
8	31001614	10	CABINET, UPPER (WHT)
9	25-7890	10	SCREW
9	31001594	10	BAND, BELLY
10	31001573	10	CABINET, LOWER (WHT)
10	33-2653	10	BUMPER, CABINET
11	31001613	10	SUPPORT, CABINET (RT)
11	31001721	10	SCREW, ABNO.8-18X3/8 HXWS
12	21001829	10	POST, LOCATING
13	31001608	10	FRONT, BELLY BAND
14	25-7752	10	SCREW, 8-18X3/8 TYAB BUT
14	31001576	10	BRACE, CORNER
15	53-0120	10	CLIP, FRONT PANEL
16	31001611	10	SPACER, FRONT PANEL
17	33-2653	10	BUMPER, CABINET
18	31001617	10	HINGE CABINET LEAF ASM (LT)
19	31001616	10	HINGE CABINET LEAF ASM (RT)

MCE8000AYW TABLERO

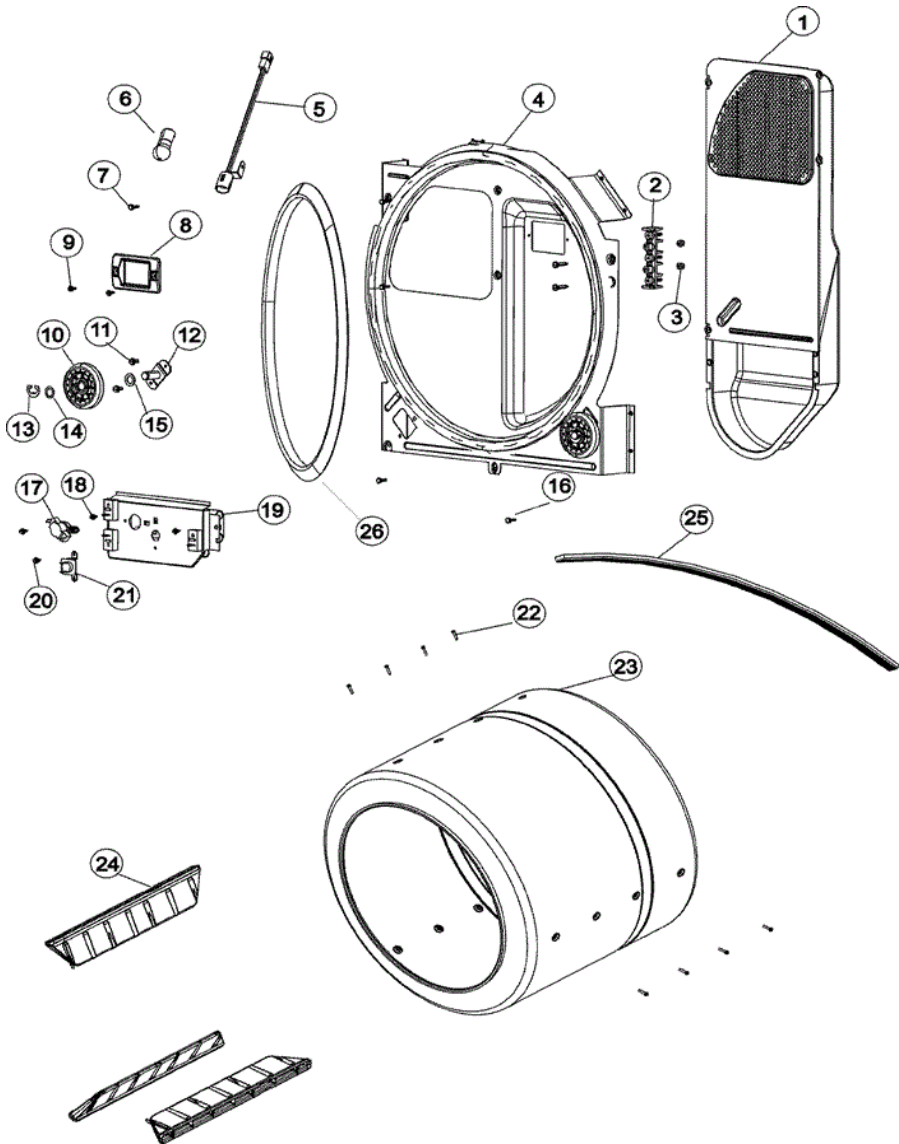




MCE8000AYW TABLERO

1	31001562	10	LOGIC BOARD (CONTROL)
2	31001659	10	CLIP, RETAINING
3	31001565	10	DOOR LATCH ASSEMBLY (UPPER)
4	31001610	10	SCREW, NO.8 SHTMTL 1-1/4 TORX
5	31001658	10	CONSOLE W/MEMBRANE PAD (WHT)
6	31001662	10	HARNESS, UPPER DOOR SWITCH

MCE8000AYW TAMBOR

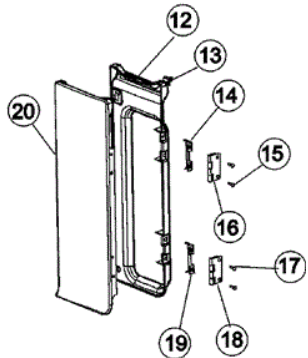
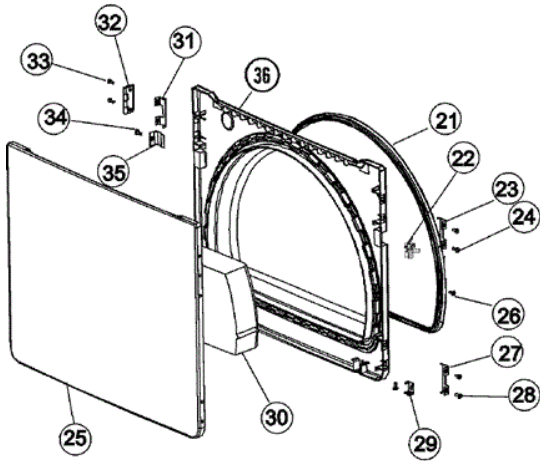
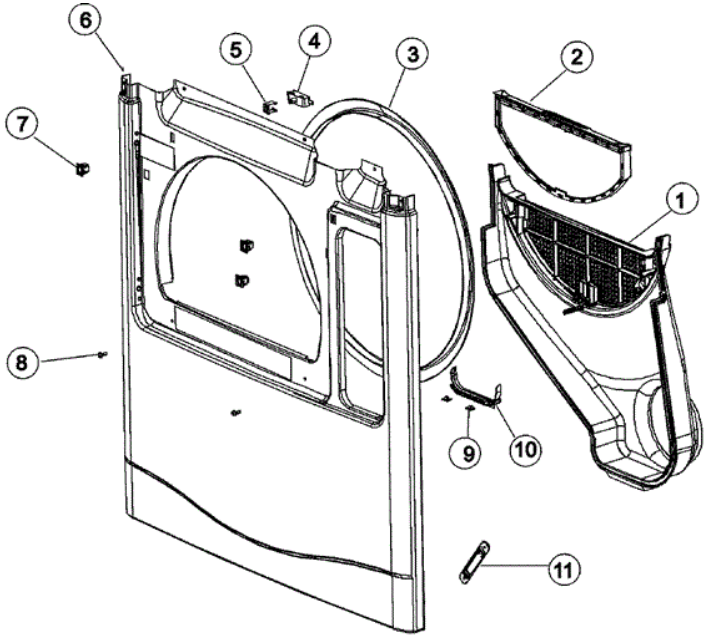




MCE8000AYW TAMBOR

1	25-7819	10	SCREW NO.8-18X1/2 PAN HD
1	31001587	10	HEATER HOUSING ASSEMBLY
2	25-7952	10	SCREW
2	53-0965	10	STRAP, GROUND
2	53-1518	10	BLOCK, TERMINAL
3	21001837	10	NUT, LOCK W/NYLON INSERT
4	31001581	10	BULKHEAD WITH SEAL
5	31001579	10	RECEPTACLE ASM, CLYINDER LIGHT
6	31001575	10	BULB, CYLINDER LIGHT
7	25-3457	10	SCREW, SEMS
8	31001585	10	LENS, CYLINDER LIGHT
9	31001580	10	SCREW, 6-32 HEX WASHER HEAD
10	31001096	10	ROLLER (REAR)
11	25-7101	10	SCREW
12	53-0197	10	SUPPORT ASSY.-CYLINDER REAR
13	25-7854	10	RING, RETAINING
14	25-7814	10	WASHER
15	31001583	10	SPACER, ROLLER
16	25-7819	10	SCREW NO.8-18X1/2 PAN HD
17	31001267	10	SCREW
17	31001689	10	THERMOSTAT, HI LIMIT
18	31001267	10	SCREW
19	31001588	10	HEATER ELEMENT & BRACKET
19	31001691	10	WIRE, HEATER JUMPER
20	31001267	10	SCREW
21	31001690	10	FUSE, THERMAL (1 SHOT)
22	25-7759	10	SCREW
23	53-1250	10	CYLINDER (W/BAFFLE)
24	53-1249	10	BAFFLE, WHITE
25	31531589	10	BELT, CYLINDER
26	31001548	10	SEAL ASSEMBLY (REAR)

MCE8000AYW PUERTA





MCE8000AYW PUERTA

1	31001635	10	DUCT, COLLECTOR
1	53-0204	10	SEAL
2	31001640	10	FILTER, LINT (GRAY)
3	31001637	10	SEAL ASSEMBLY, CYL FRONT
4	31001732	10	SWITCH, DOOR
5	31001733	10	CLIP, SWITCH
6	31001706	10	FRONT PANEL ASSEMBLY (WHT)
7	53-0187	10	CATCH, DOOR
8	25-7810	10	SCREW 8-18X1/2 TRUSS H
9	31001643	10	CLIP, TRIM
10	31001642	10	TRIM, RESERVOIR FLANGE
11	31001638	10	HARNESS, SENSOR BAR
11	33001809	10	SENSOR BAR ASSY.
12	31001654	10	DOOR, INNER RESERVOIR
13	31001657	10	BAYONET, RESERVOIR DOOR
14	22002038	10	CLIP, DOOR (DOUBLE)
15	31001703	10	SCREW, 8-18X1/2 TY AB ACR
16	31001653	10	HINGE, DOOR (LOWER)
17	31001703	10	SCREW, 8-18X1/2 TY AB ACR
18	31001653	10	HINGE, DOOR (LOWER)
19	22002038	10	CLIP, DOOR (DOUBLE)
20	31001656	10	DOOR, OUTER RESERVOIR (WHT)
21	31001652	10	SEAL, DOOR
22	31001646	10	STRIKE BRACKET ASSEMBLY
23	22002038	10	CLIP, DOOR (DOUBLE)
24	22002063	10	SCREW NO.8-18AB WAFER HD
25	31001650	10	PANEL, OUTER DOOR (WHT)
26	31001703	10	SCREW, 8-18X1/2 TY AB ACR
27	22002038	10	CLIP, DOOR (DOUBLE)
28	22002063	10	SCREW NO.8-18AB WAFER HD
29	22002039	10	CLIP, DOOR (SINGLE)
30	31001644	10	SPACER, DOOR BLOCK
31	22002038	10	CLIP, DOOR (DOUBLE)

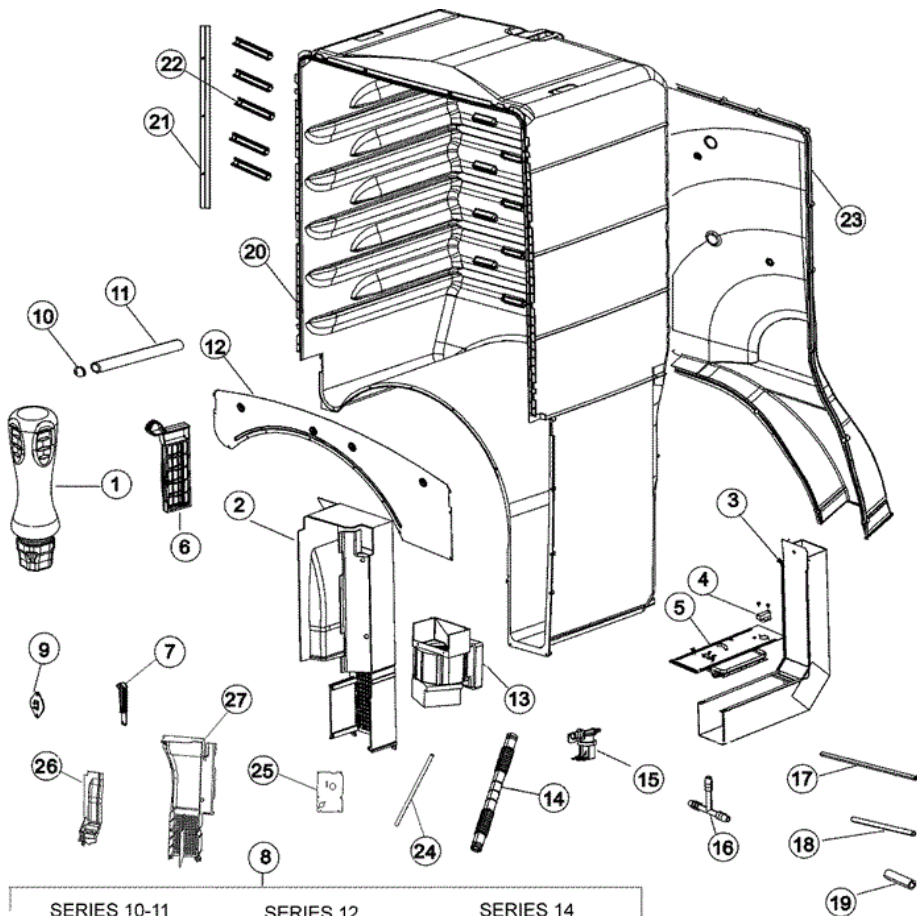
32	31001641	10	COVER, HINGE (WHT-LOWER DR)
32	31001653	10	HINGE, DOOR (LOWER)
33	31001703	10	SCREW, 8-18X1/2 TY AB ACR
34	22002063	10	SCREW NO.8-18AB WAFER HD
35	31001648	10	PLUG
36	31001645	10	INNER DOOR, LOWER

Distribuidor Autorizado

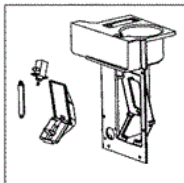
SurteRápido.com

Venta de Refacciones
Electrodomesticas

MCE8000AYW DEPOSITO VAPOR



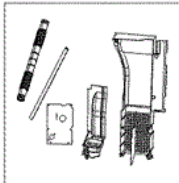
SERIES 10-11



SERIES 12



SERIES 14



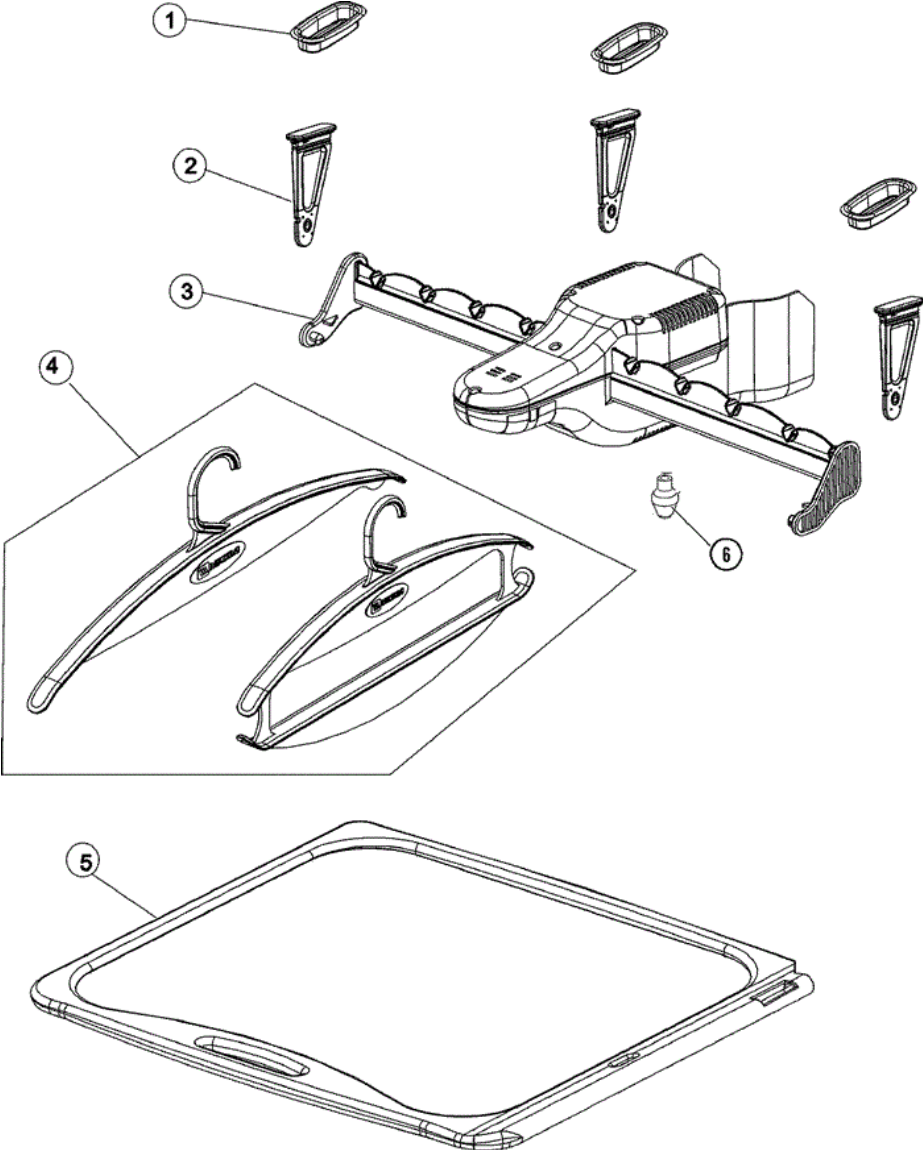


MCE8000AYW DEPOSITO VAPOR

1	31001684	10	BOTTLE, RESERVOIR WATER
2	31001623	10	AIR DUCT, RETURN
3	31001604	10	HOT AIR DUCT ASSEMBLY
4	31001630	10	THERMOSTAT, STEAMER
4	31001721	10	SCREW, ABNO.8-18X3/8 HXWS
5	31001628	10	WIRE, HEATER JUMPER
5	31001664	10	HARNESS, UPPER HEATER/STEAMER
5	31001666	10	HEATER/STEAMER
5	31001761	12	HARNESS, UPPER HEATER/STEAMER
6	31001681	10	FILTER FRAME ASSEMBLY
7	31001687	10	VENT, RESERVOIR FILTER
8	12002336	10	RETURN DUCT/DAMPER KIT
8	31001760	12	COVER, RETURN DUCT
8	12002648	14	RETURN DUCT/COVER KIT
9	31001600	10	SCREW, NO.6 TRI-LOBE 3/8 TORX
9	31001716	10	THERMISTOR, TEMP CONTROL
10	31001603	10	CAP, SHELF SUPPORT
11	31001602	10	ROD, SHELF SUPPORT
12	31001596	10	TOP, FRONT LINER COVER
12	31001705	10	SCREW. NO.8-18X1/2 TH RL
13	31001627	10	BLOWER ASSEMBLY
13	31001722	10	SCREW, NO.8-18X3/4 TF
14	31001631	10	HOSE, RESERVOIR VALVE
15	31001563	10	VALVE, WATER
16	31001720	10	T-CONNECTOR
17	31001717	10	HOSE (12``)
18	31001718	10	HOSE (8.5``)
19	31001719	10	HOSE (1.5``)
20	31001595	10	LINER
21	31001609	10	TIE BAR, SHELF
21	31001705	10	SCREW. NO.8-18X1/2 TH RL
22	31001607	10	BRACKET, SHELF
23	31001600	10	SCREW, NO.6 TRI-LOBE 3/8 TORX

23	31001606	10	PLENUM
24	31001632	14	HOSE, VALVE STEAMER
25	31001789	14	PLATE-RETURN DUCT COVER
26	31001787	14	DUCT-AIR RETURN
27	31001788	14	CUP-RETURN DUCT

MCE8000AYW ACCESORIOS

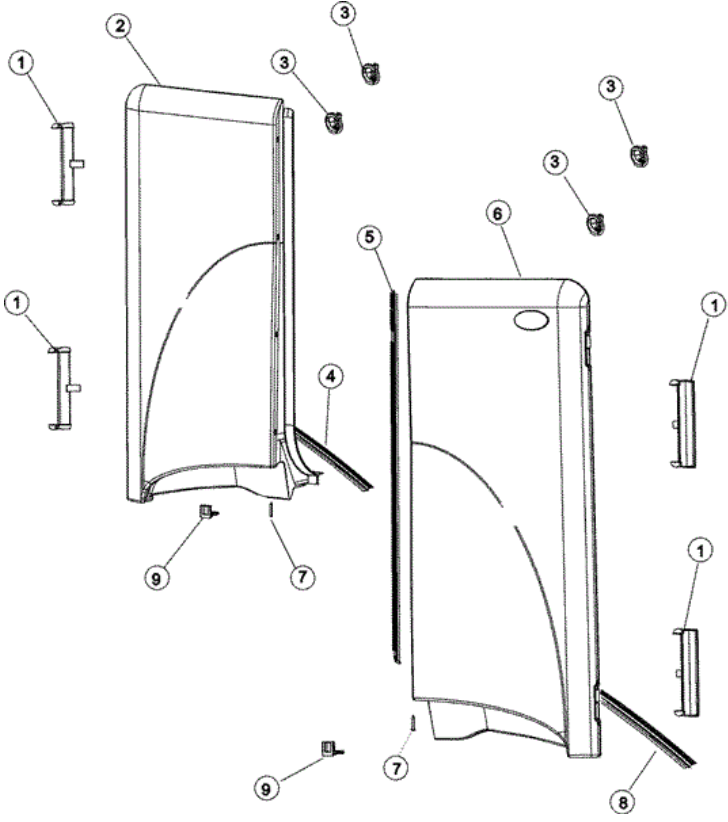




MCE8000AYW ACCESORIOS

1	31001622	10	BOOT, SHAKER STRAP
2	31001621	10	STRAP, SHAKER SUPPORT
3	31001702	10	SHAKER ASSEMBLY
4	31001727	10	HANGER PACKAGE (2/SM, 1/LG)
5	31001679	10	SHELF ASSEMBLY
6	22002263	10	LAMP (10 WATT)

MCE8000AYW PUERTAS





MCE8000AYW PUERTAS

1	31001671	10	COVER, HINGE RETAINER (WHT)
2	31001667	10	UPPER DOOR ASM (LT-WHT)
3	31001670	10	HOOK, DOOR
4	31001765	10	SEAL, DOOR (LT)
5	31001677	10	SEAL, DOOR (RT DR SIDE)
6	31001674	10	UPPER DOOR ASM (RT-WHT)
7	25-3092	10	SCREW
8	31001764	10	SEAL, DOOR (RT)
9	31001673	10	STRIKER, LATCH