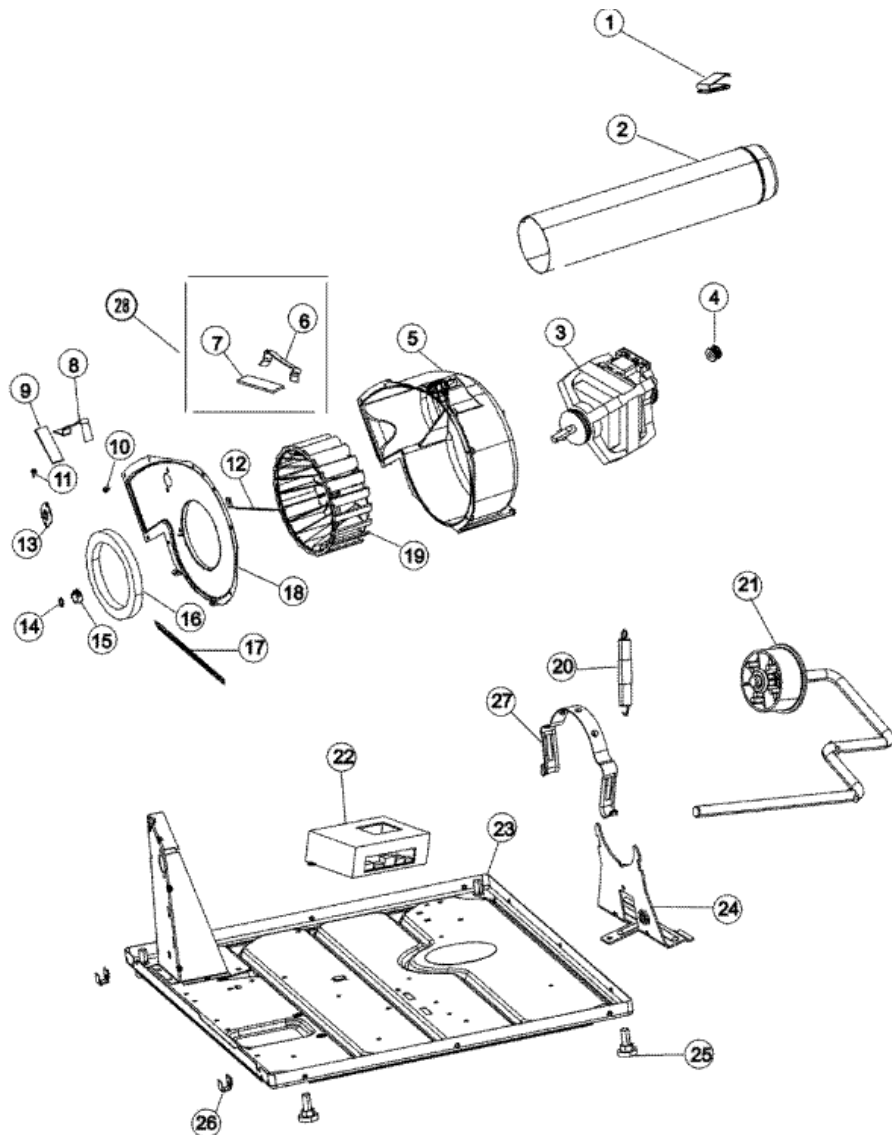


Distribuidor Autorizado

SurteRápido.com

Venta de Refacciones
Electrodomesticas

MCG800AWW BASE





MCG8000AWW BASE

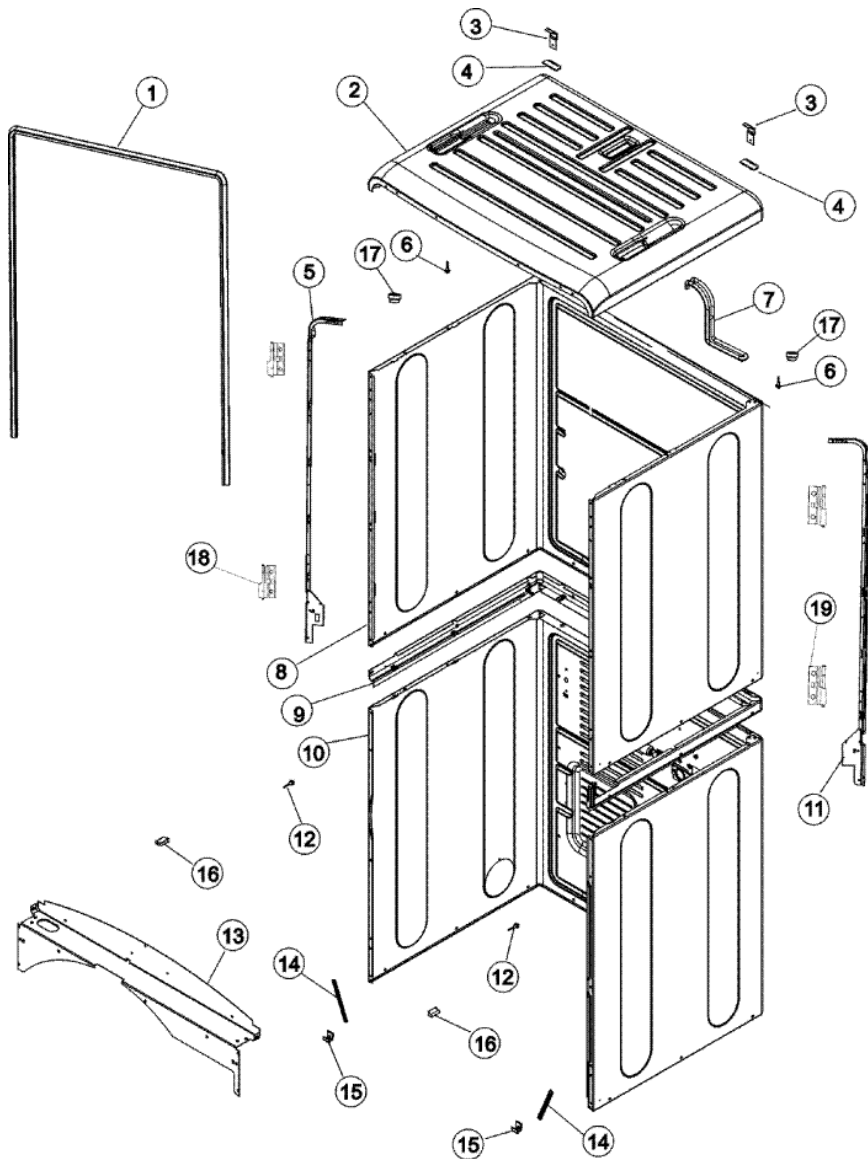
1	31001572	CLIP, VENT PIPE GROUND (S/P)
2	53-0134	DUCT, EXHAUST (S/P)
3	31001589	MOTOR (115V-60HZ 1/3HP)
4	31001535	PULLEY, MOTOR (60HZ)
5	53-1801	HOUSING, BLOWER (S/P)
6	31001470	GLIDE, TUMBLER (LT)
7	31001356	PAD, GLIDE (S/P)
8	31001469	GLIDE, TUMBLER (RT) (S/P)
9	31001356	PAD, GLIDE (S/P)
10	31001267	SCREW (S/P)
11	25-7890	SCREW (S/P)
12	53-1026	GUIDE, VANE INLET (S/P)
13	31001590	THERMISTOR, TEMP CONTROL
14	25-7855	RING, RETAINING (S/P)
15	312967	CLAMP
16	31001541	SEAL, BLOWER/COLLECTOR DUCT (S/P)
17	53-1625	BRACE, TUMBLER SUPPORT
18	53-1934	COVER, BLOWER HOUSING (S/P)
19	31001317	WHEEL, BLOWER (DEEPPD)
20	31001465	SPRING, IDLER (S/P)
21	31001571	SCREW, 10-24X0700 HXWSHRHD TY (S/P)
21	31001710	IDLER ARM ASSEMBLY (S/P)
22	25-7890	SCREW (S/P)
22	53-4643	RELAY BOARD ASSEMBLY (S/P)
23	31001569	WASHER, 1/2`` (S/P)
23	31001586	BASE ASSEMBLY (S/P)
24	25-7732	SCREW (S/P)
24	31001570	BRACKET, MOTOR (S/P)
25	35-3507	FOOT & PAD ASSY
26	53-0120	CLIP, FRONT PANEL
27	53-0214	CLAMP, MOTOR (S/P)
28	LA1006	GLIDE KIT, TUMBLER

Distribuidor Autorizado

SurteRápido.com

Venta de Refacciones
Electrodomesticas

MCG8000AWW GABINETE

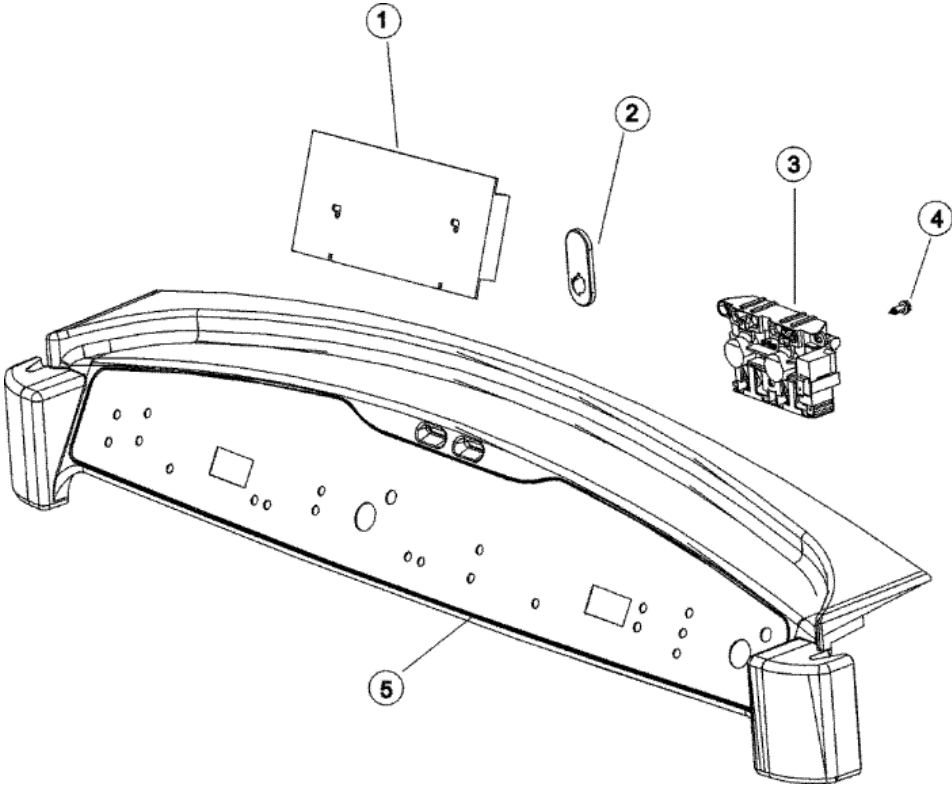




MCG8000AWW GABINETE

1	31001618	SEAL, DOOR PERIMETER (S/P)
2	31001619	COVER, TOP (WHT) (S/P)
3	63-5712	HINGE, CABINET TOP (S/P)
4	35-4128	PAD, HINGE
5	25-2134	SCREW (S/P)
5	31001612	SUPPORT, CABINET (LT) (S/P)
6	21001829	POST, LOCATING (S/P)
7	31001680	HANGER, EXTERNAL RACK (S/P)
8	31001614	CABINET, UPPER (WHT) (S/P)
9	25-7890	SCREW (S/P)
9	31001594	BAND, BELLY (S/P)
10	31001573	CABINET, LOWER (WHT) (S/P)
10	31001592	CORD & CAP ASSEMBLY (20 AMP) (S/P)
10	31001723	COVER, POWER CORD (S/P)
10	33-2653	BUMPER, CABINET (S/P)
11	31001613	SUPPORT, CABINET (RT) (S/P)
11	25-2134	SCREW (S/P)
12	21001829	POST, LOCATING (S/P)
13	31001608	FRONT, BELLY BAND (S/P)
14	31001576	BRACE, CORNER (S/P)
14	25-7752	SCREW, 8-18X3/8 TYAB BUT (S/P)
15	53-0120	CLIP, FRONT PANEL
16	31001611	SPACER, FRONT PANEL (S/P)
17	33-2653	BUMPER, CABINET (S/P)
18	31001617	HINGE CABINET LEAF ASM (LT) (S/P)
19	31001616	HINGE CABINET LEAF ASM (RT) (S/P)

MCG800AWW TABLERO

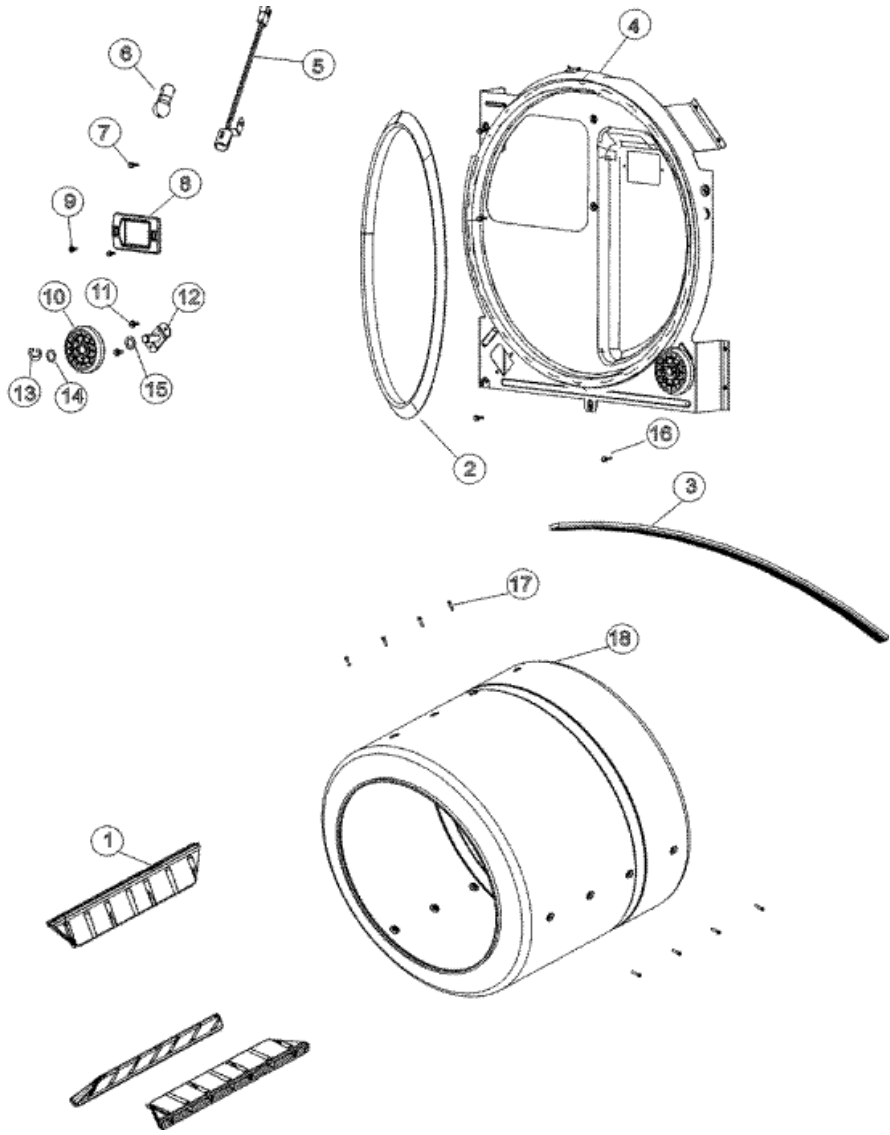




MCG8000AWW TABLERO

1	31001562	LOGIC BOARD (CONTROL)
2	31001659	CLIP, RETAINING (S/P)
3	31001565	DOOR LATCH ASSEMBLY (UPPER) (S/P)
4	31001610	SCREW, No.8 SHTMTL 1-1/4 TORX (S/P)
5	31001658	CONSOLE W/MEMBRANE PAD (WHT)
6	31001662	HARNESS, UPPER DOOR SWITCH (S/P)

MCG8000AWW TAMBOR

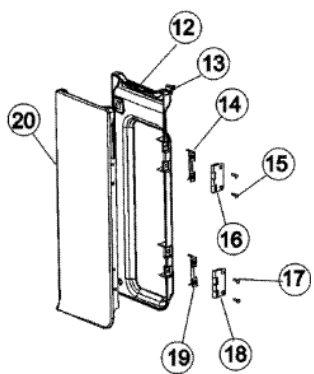
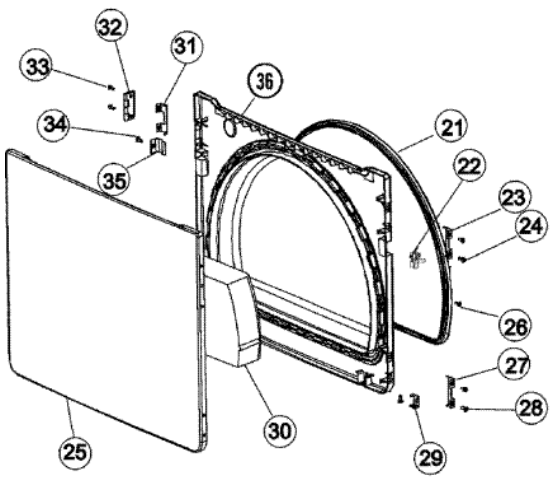
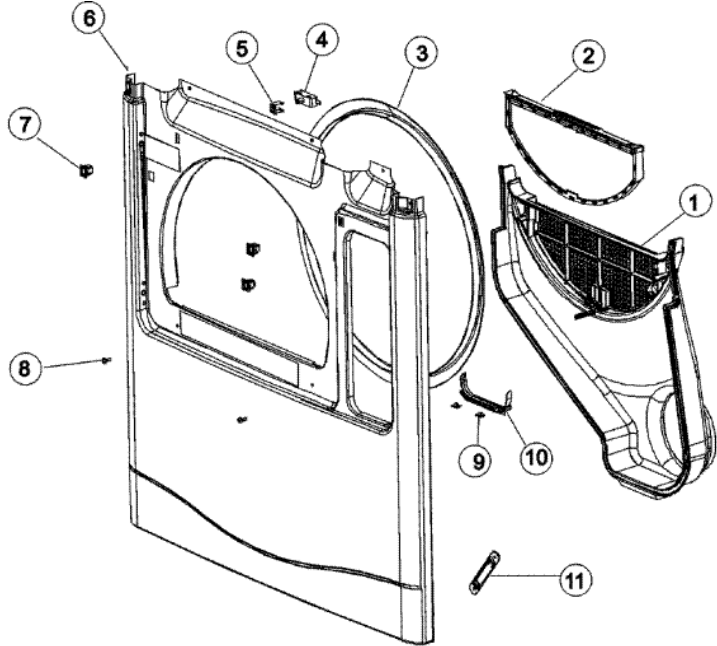




MCG8000AWW TAMBOR

1	53-1249	DESCONTINUADO
2	53-0281	SEAL ASSEMBLY (REAR)
3	341241	BELT, CYLINDER
4	31001581	BULKHEAD WITH SEAL (S/P)
5	31001579	RECEPTACLE ASM, CLYINDER LIGHT (S/P)
6	31001575	BULB, CYLINDER LIGHT (S/P)
7	25-3457	SCREW, SEMS (S/P)
8	31001585	LENS, CYLINDER LIGHT (S/P)
9	31001580	SCREW, 6-32 HEX WASHER HEAD (S/P)
10	31001096	ROLLER (REAR)
11	25-7101	SCREW (S/P)
12	53-0197	SUPPORT ASSY.-CYLINDER REAR
13	25-7854	RING, RETAINING
14	25-7814	WASHER (S/P)
15	31001583	SPACER, ROLLER (S/P)
16	25-7819	SCREW No.8-18X1/2 PAN HD (S/P)
17	25-7759	SCREW (S/P)
18	53-1250	CYLINDER (W/BAFFLE) (S/P)

MCG8000AWW PUERTA





MCG8000AWW PUERTA

1	31001635	DUCT, COLLECTOR (S/P)
1	53-0204	SEAL (S/P)
2	31001640	FILTER, LINT (GRAY) (S/P)
3	31001637	SEAL ASSEMBLY, CYL FRONT (S/P)
4	31001732	SWITCH, DOOR
5	31001733	CLIP, SWITCH (S/P)
6	31001706	FRONT PANEL ASSEMBLY (WHT) (S/P)
7	LA-1003	CATCH, DOOR
8	25-7810	SCREW 8-18X1/2 TRUSS H (S/P)
9	31001643	CLIP, TRIM (S/P)
10	31001642	TRIM, RESERVOIR FLANGE (S/P)
11	31001791	HARNESS, SENSOR BAR (S/P)
11	33001809	SENSOR BAR ASSY.
12	31001654	DOOR, INNER RESERVOIR (S/P)
13	31001657	BAYONET, RESERVOIR DOOR (S/P)
14	22002038	CLIP, DOOR (DOUBLE) (S/P)
15	31001703	SCREW, 8-18X1/2 TY AB ACR (S/P)
16	31001653	HINGE, DOOR (LOWER) (S/P)
17	31001703	SCREW, 8-18X1/2 TY AB ACR (S/P)
18	31001653	HINGE, DOOR (LOWER) (S/P)
19	22002038	CLIP, DOOR (DOUBLE) (S/P)
20	31001656	DOOR, OUTER RESERVOIR (WHT) (S/P)
21	31001652	SEAL, DOOR (S/P)
22	31001646	STRIKE BRACKET ASSEMBLY (S/P)
23	22002038	CLIP, DOOR (DOUBLE) (S/P)
24	22002063	SCREW No.8-18AB WAFER HD (S/P)
25	31001650	PANEL, OUTER DOOR (WHT) (S/P)
26	31001703	SCREW, 8-18X1/2 TY AB ACR (S/P)
27	22002038	CLIP, DOOR (DOUBLE) (S/P)
28	22002063	SCREW No.8-18AB WAFER HD (S/P)
29	22002039	CLIP, DOOR (SINGLE) (S/P)
30	31001644	DESCONTINUADO
31	22002038	CLIP, DOOR (DOUBLE) (S/P)

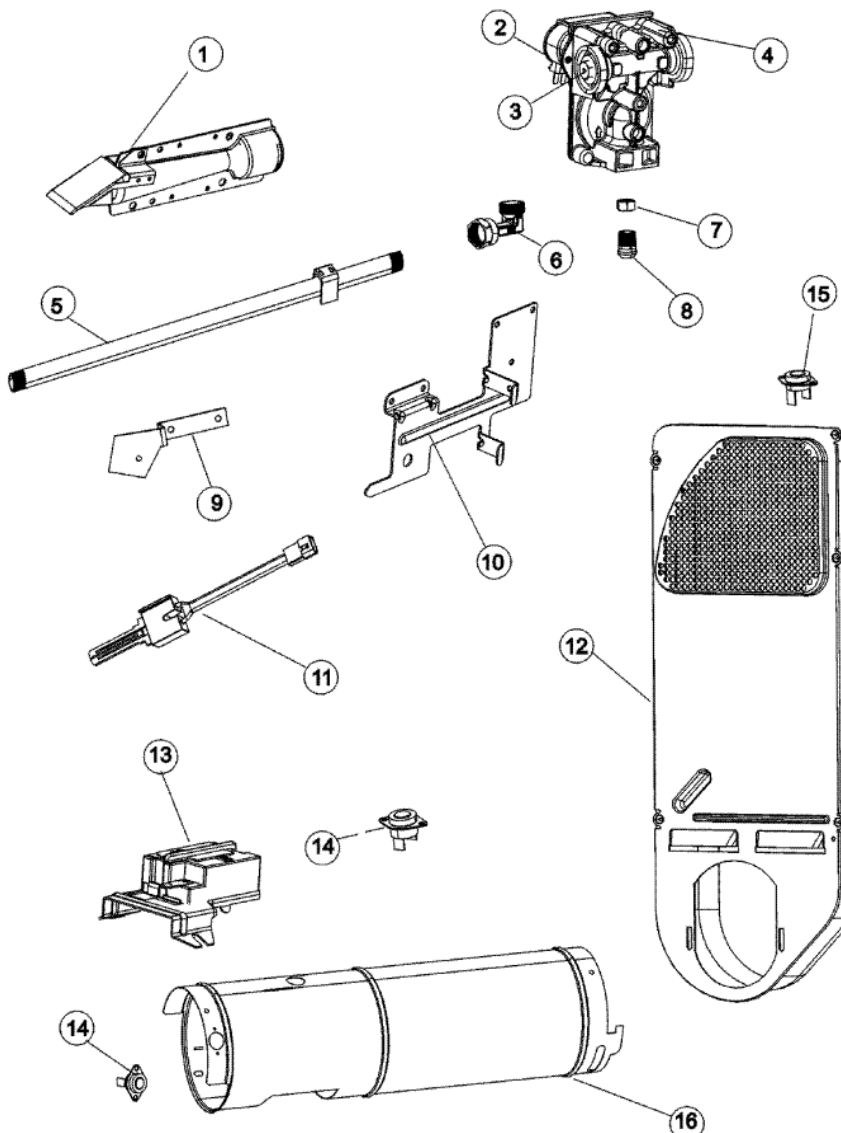
32	31001641	COVER, HINGE (WHT-LOWER DR) (S/P)
32	31001653	HINGE, DOOR (LOWER) (S/P)
33	31001703	SCREW, 8-18X1/2 TY AB ACR (S/P)
34	22002063	SCREW No.8-18AB WAFER HD (S/P)
35	31001648	PLUG (S/P)
36	31001645	INNER DOOR, LOWER (S/P)

Distribuidor Autorizado

SurteRápido.com

Venta de Refacciones
Electrodomesticas

MCG8000AWW QUEMADOR SERIE 10

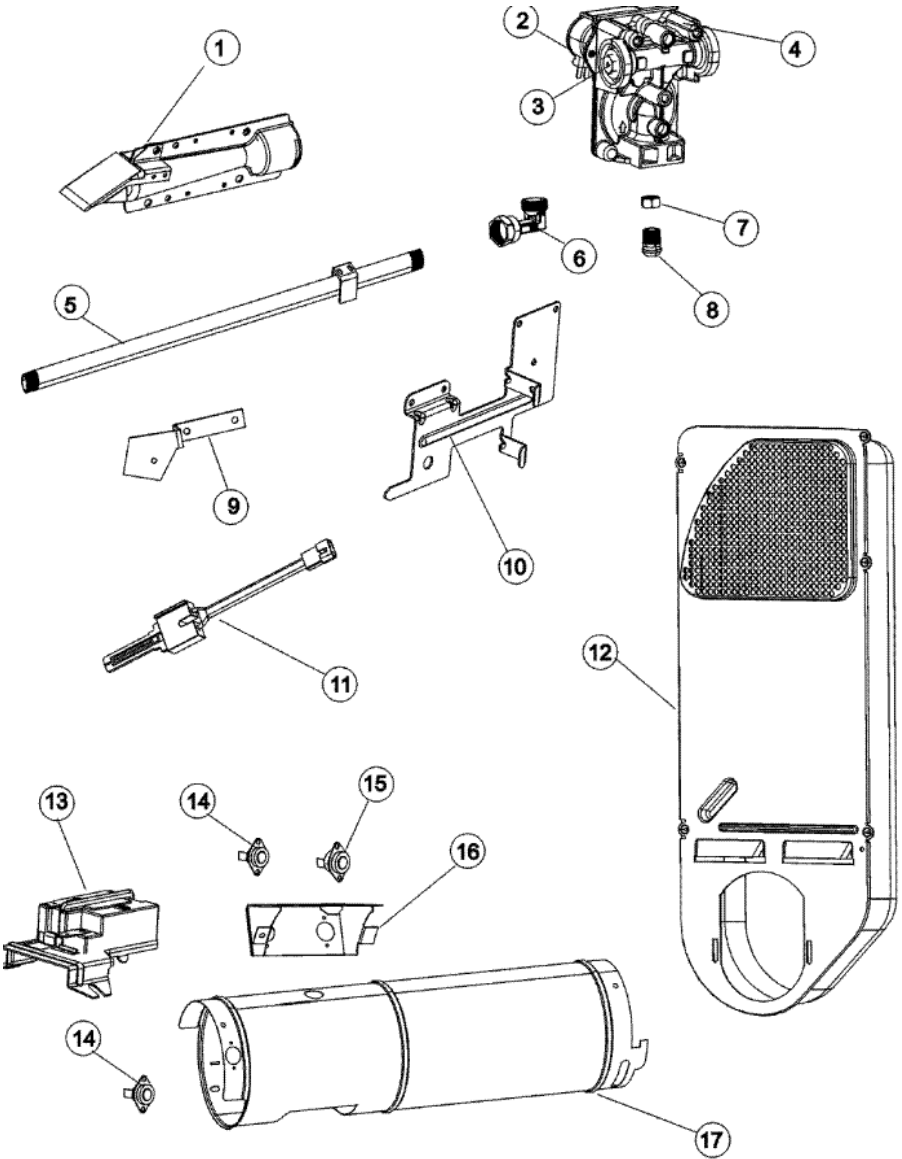




MCG8000AWW QUEMADOR SERIE 10

1	31001784	BURNER & SPREADER ASSM (S/P)
2	279834	COIL KIT, GAS DRYER VALVE (2)
3	63-3570	BURNER ORIFICE
4	25-3092	SCREW (S/P)
4	31001485	VALVE, GAS (WITH ORIFICE) (S/P)
5	31001777	MAIN GAS LINE ASSY. (S/P)
6	3406051	ELBOW (S/P)
7	60-6846	UNION NUT (S/P)
8	31001368	TAIL PIECE (S/P)
9	53-0686	BRACKET (S/P)
10	53-0140	MTG BRACKET (S/P)
11	31001556	IGNITER (S/P)
12	53-1706	DESCONTINUADO
13	338906	SENSOR
13	31001730	HARNESS, GAS SENSOR (S/P)
14	LA1053	THERMOSTAT, HI-LIMIT
15	53-1182	FUSE, THERMAL (S/P)
16	53-2363	SUPPORT, HEATER HOUSING (S/P)
16	53-1884	DESCONTINUADO
17	63-6766	CONVERSION KIT (NAT-LP)
17	12001031	CONVERSION KIT (LP-NAT) (S/P)

MCG8000AWW QUEMADOR SERIE 11





MCG8000AWW QUEMADOR SERIE 11

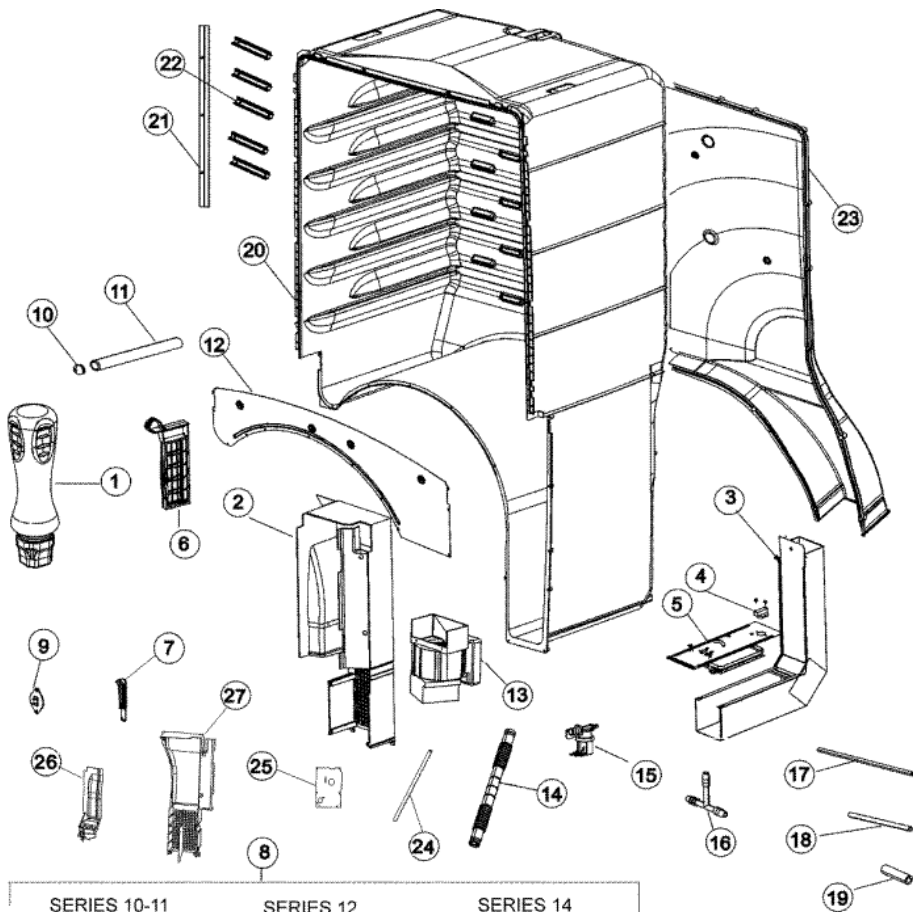
1	31001784	BURNER & SPREADER ASSM (S/P)
2	279834	COIL KIT, GAS DRYER VALVE (2)
3	63-3570	BURNER ORIFICE
4	31001485	VALVE, GAS (WITH ORIFICE) (S/P)
4	25-3092	SCREW (S/P)
5	31001777	MAIN GAS LINE ASSY. (S/P)
6	346051	ELBOW (S/P)
7	60-6846	UNION NUT (S/P)
8	31001368	TAIL PIECE (S/P)
9	53-0686	BRACKET (S/P)
10	53-0140	MTG BRACKET (S/P)
11	31001556	IGNITER (S/P)
12	31001724	INLET AIR DUCT ASSEMBLY (S/P)
13	338906	SENSOR
14	53-1182	FUSE, THERMAL (S/P)
15	LA1053	THERMOSTAT, HI-LIMIT
16	31001725	BRACKET, THERMOSTAT MTG (S/P)
17	31001726	HOUSING, HEATER (S/P)
17	53-2363	SUPPORT, HEATER HOUSING (S/P)
18	12001031	CONVERSION KIT (LP-NAT) (S/P)
18	63-6766	CONVERSION KIT (NAT-LP)

Distribuidor Autorizado

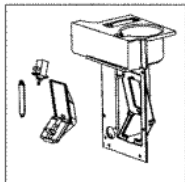
SurteRápido.com

Venta de Refacciones
Electrodomesticas

MCG8000AWW GABINETE



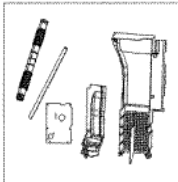
SERIES 10-11



SERIES 12



SERIES 14



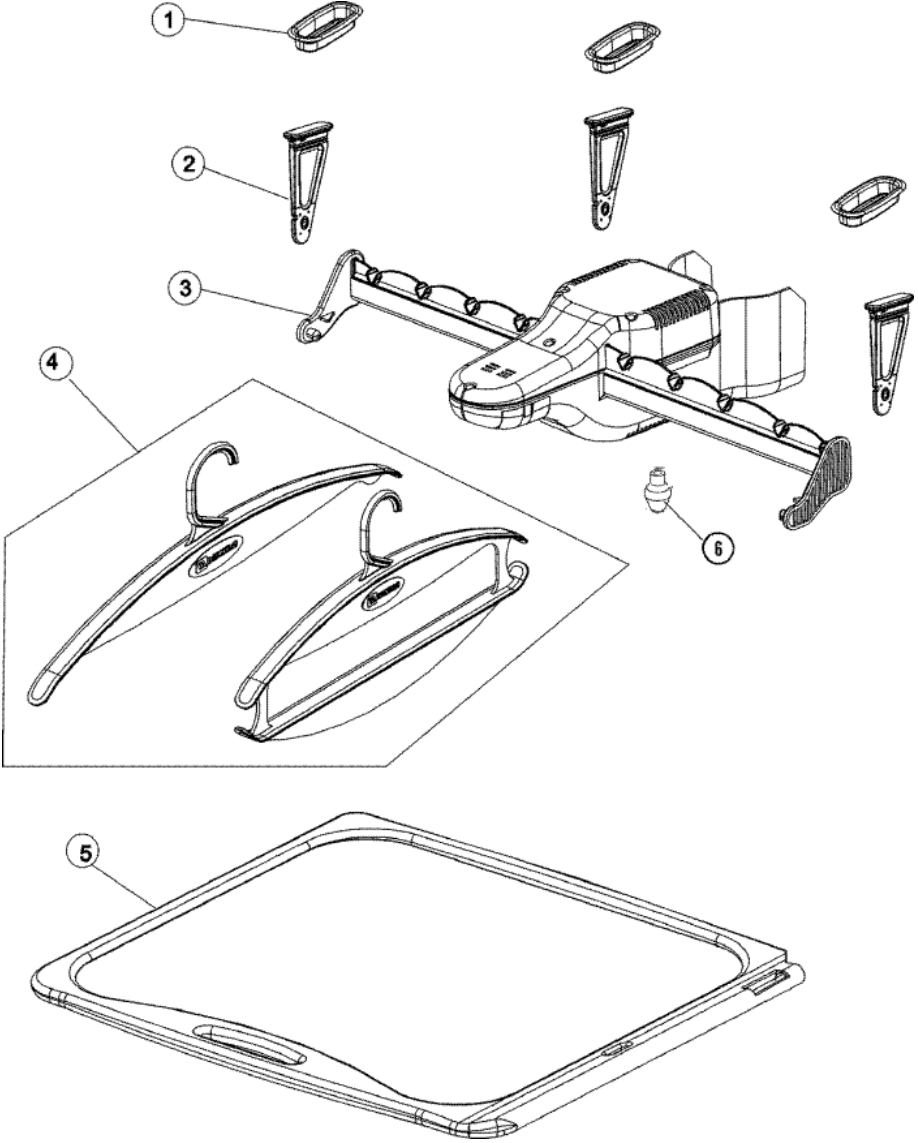


MCG8000AWW GABINETE

1	31001684	BOTTLE, RESERVOIR WATER (S/P)
2	31001623	DESCONTINUADO
3	31001604	HOT AIR DUCT ASSEMBLY (S/P)
4	31001630	THERMOSTAT, STEAMER (S/P)
4	31001721	SCREW, ABNo.8-18X3/8 HXWS (S/P)
5	31001761	HARNESS, UPPER HEATER/STEAMER (S/P)
5	31001666	DESCONTINUADO
5	31001790	WIRE, HEATER JUMPER (S/P)
5	31001664	HARNESS, UPPER HEATER/STEAMER (S/P)
6	31001681	FILTER FRAME ASSEMBLY (S/P)
7	31001687	VENT, RESERVOIR FILTER (S/P)
8	12002336	RETURN DUCT/DAMPER KIT (S/P)
8	31001760	COVER, RETURN DUCT (S/P)
8	12002648	RETURN DUCT/COVER KIT (S/P)
9	31001716	THERMISTOR, TEMP CONTROL (S/P)
9	31001600	SCREW, No.6 TRI-LOBE 3/8 TORX (S/P)
10	31001603	CAP, SHELF SUPPORT (S/P)
11	31001602	ROD, SHELF SUPPORT (S/P)
12	31001596	TOP, FRONT LINER COVER (S/P)
12	31001705	SCREW. No.8-18X1/2 TH RL (S/P)
13	31001722	SCREW, No.8-18X3/4 TF (S/P)
13	31001627	BLOWER ASSEMBLY (S/P)
14	31001631	HOSE, RESERVOIR VALVE (S/P)
15	31001563	VALVE, WATER (S/P)
16	31001720	T-CONNECTOR (S/P)
17	31001717	HOSE (12'') (S/P)
18	31001718	HOSE (8.5'') (S/P)
19	31001719	HOSE (1.5'') (S/P)
20	31001595	DESCONTINUADO
21	31001705	SCREW. No.8-18X1/2 TH RL (S/P)
21	31001609	TIE BAR, SHELF (S/P)
22	31001607	BRACKET, SHELF (S/P)
23	31001600	SCREW, No.6 TRI-LOBE 3/8 TORX (S/P)

23	31001606	PLENUM (S/P)
24	31001632	HOSE, VALVE STEAMER (S/P)
25	31001789	PLATE-RETURN DUCT COVER (S/P)
26	31001787	DUCT-AIR RETURN (S/P)
27	31001788	DESCONTINUADO

MCG8000AWW CUBIERTA

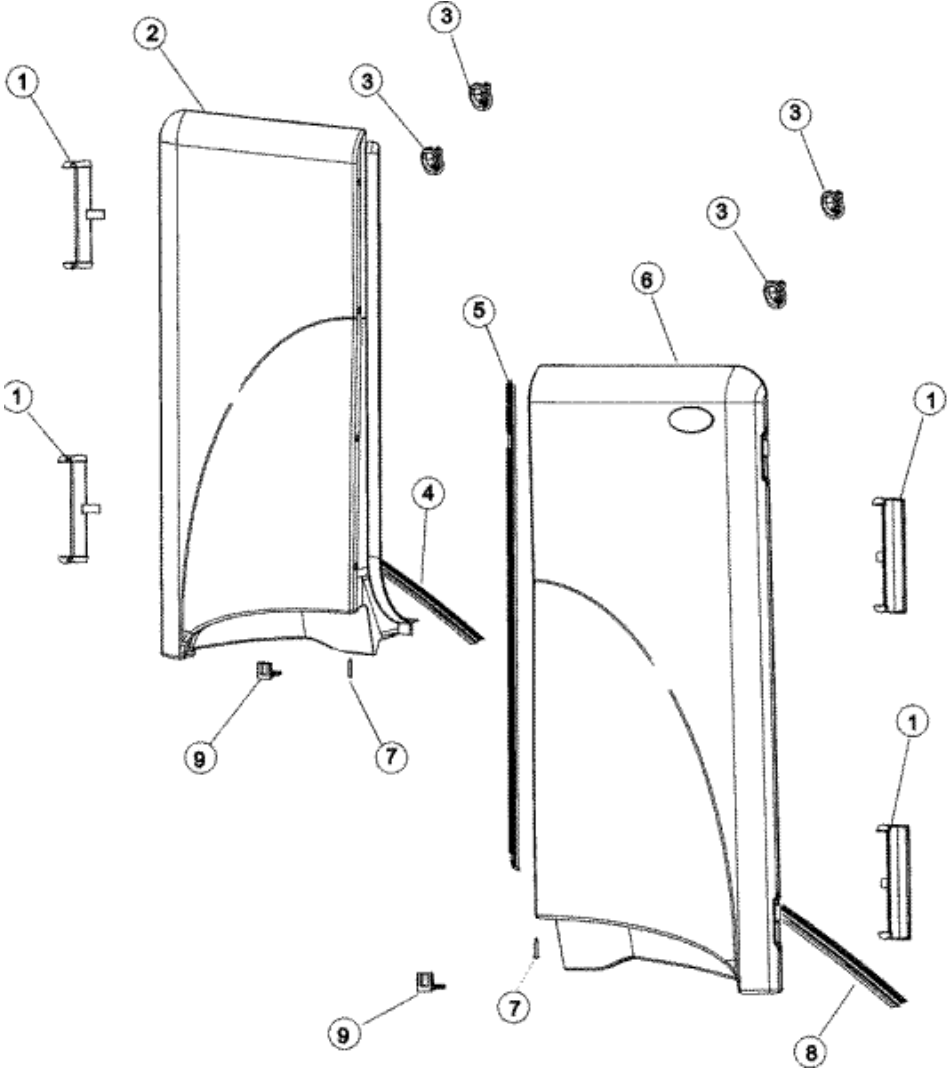




MCG8000AWW CUBIERTA

1	31001622	BOOT, SHAKER STRAP (S/P)
2	31001621	STRAP, SHAKER SUPPORT (S/P)
3	31001702	SHAKER ASSEMBLY (S/P)
4	31001781	HANGER PACKAGE (2/SM, 1/LG) (S/P)
5	31001679	SHELF ASSEMBLY (S/P)
6	22002263	LAMP (10 WATT) (S/P)

MCG8000AWW PUERTA SUPERIOR





MCG8000AWW PUERTA SUPERIOR

1	31001671	COVER, HINGE RETAINER (WHT) (S/P)
2	31001667	UPPER DOOR ASM (LT-WHT) (S/P)
3	31001670	HOOK, DOOR (S/P)
4	31001765	SEAL, DOOR (LT) (S/P)
5	31001677	SEAL, DOOR (RT DR SIDE) (S/P)
6	31001674	UPPER DOOR ASM (RT-WHT) (S/P)
7	25-3092	SCREW (S/P)
8	31001764	DESCONTINUADO
9	31001673	STRIKER, LATCH (S/P)