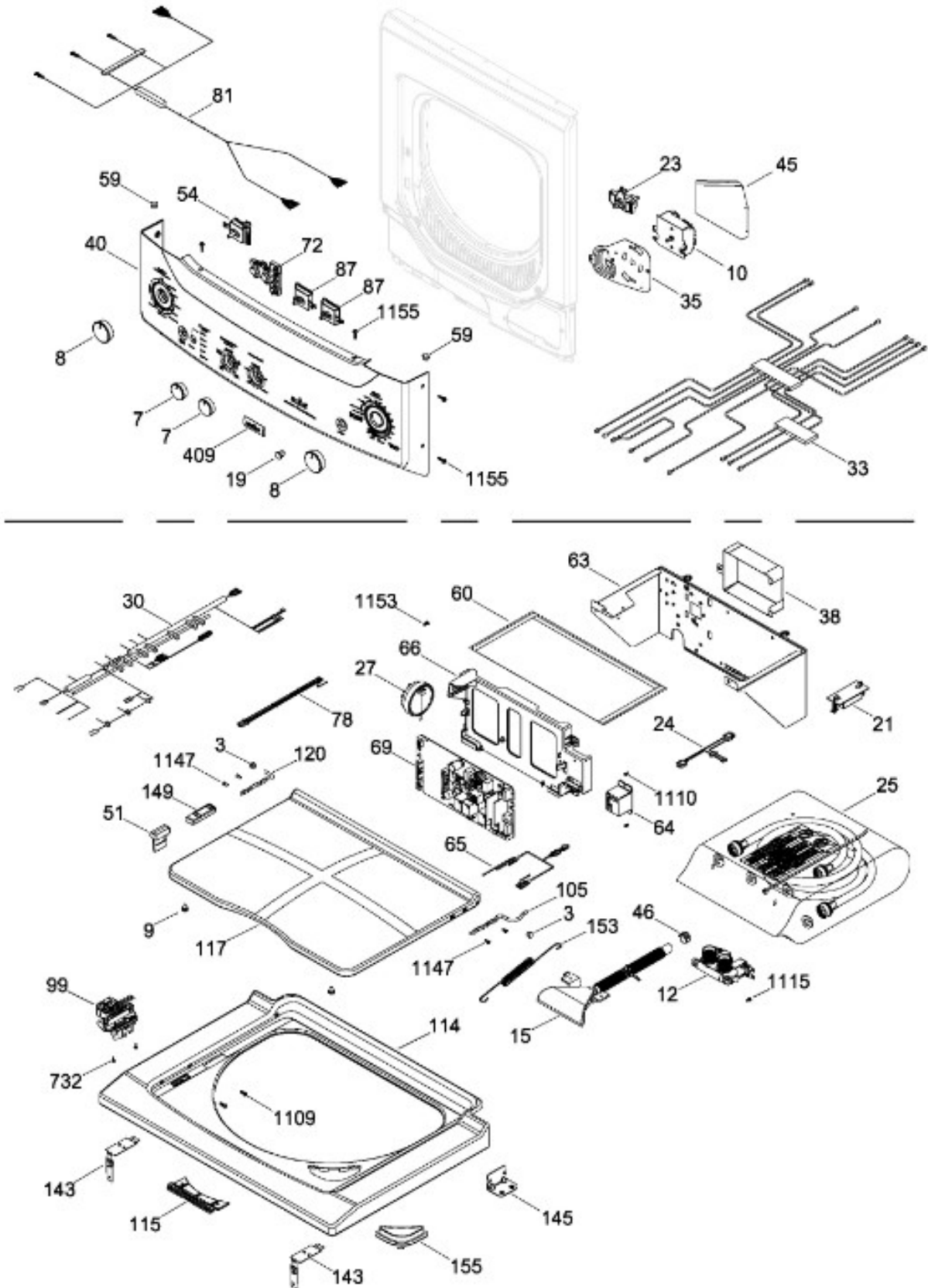


TAPA Y CONTROLES / LID AND CONTROLS

MCL1540EEDGX01



Distribuidor Autorizado

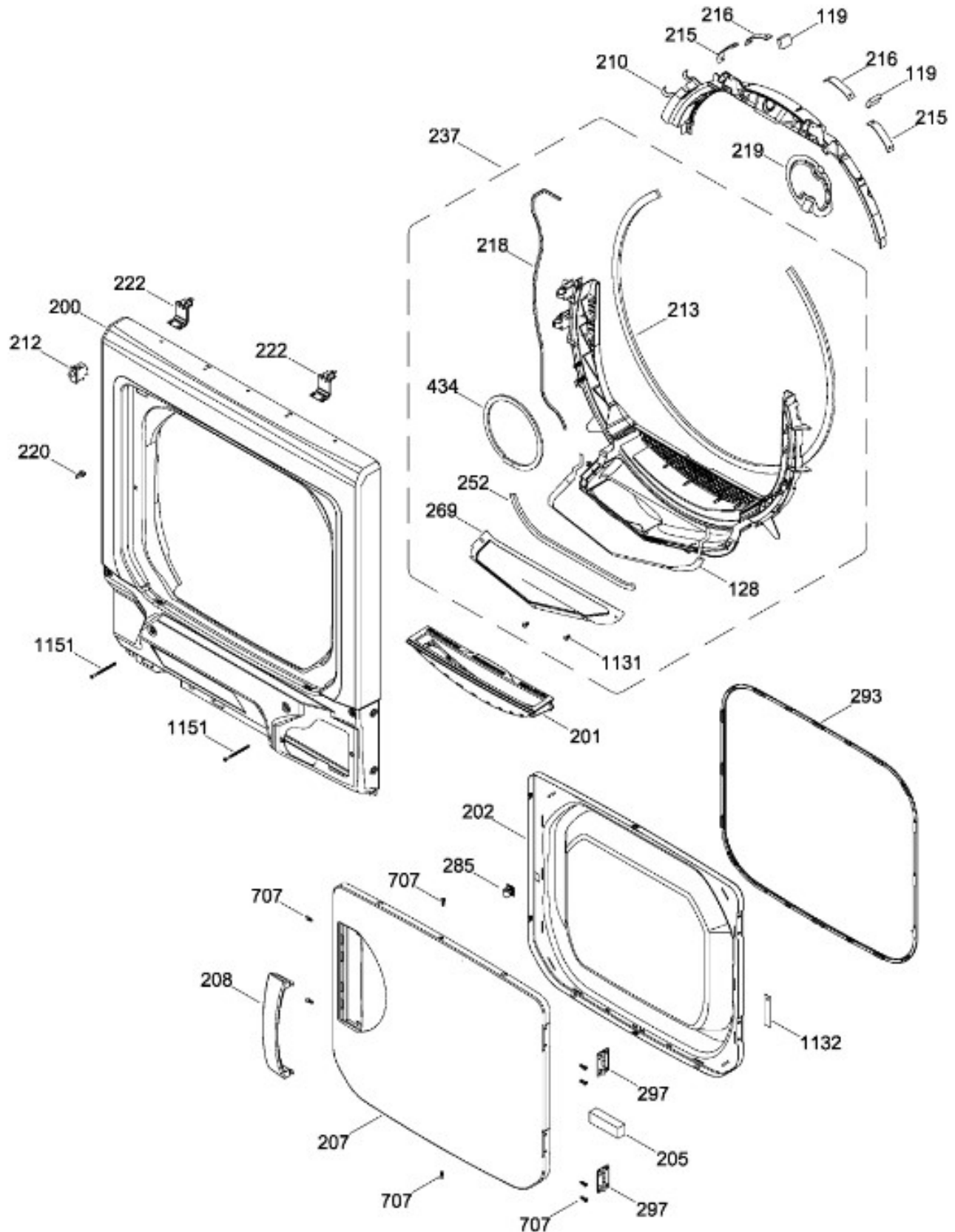
SurteRápido.com

Venta de Refacciones
Electrodomesticas

C.L. MCL1540EEDGX01

PUERTA SECADORA / DOOR DRYER

MCL1540EEDGX01



Distribuidor Autorizado

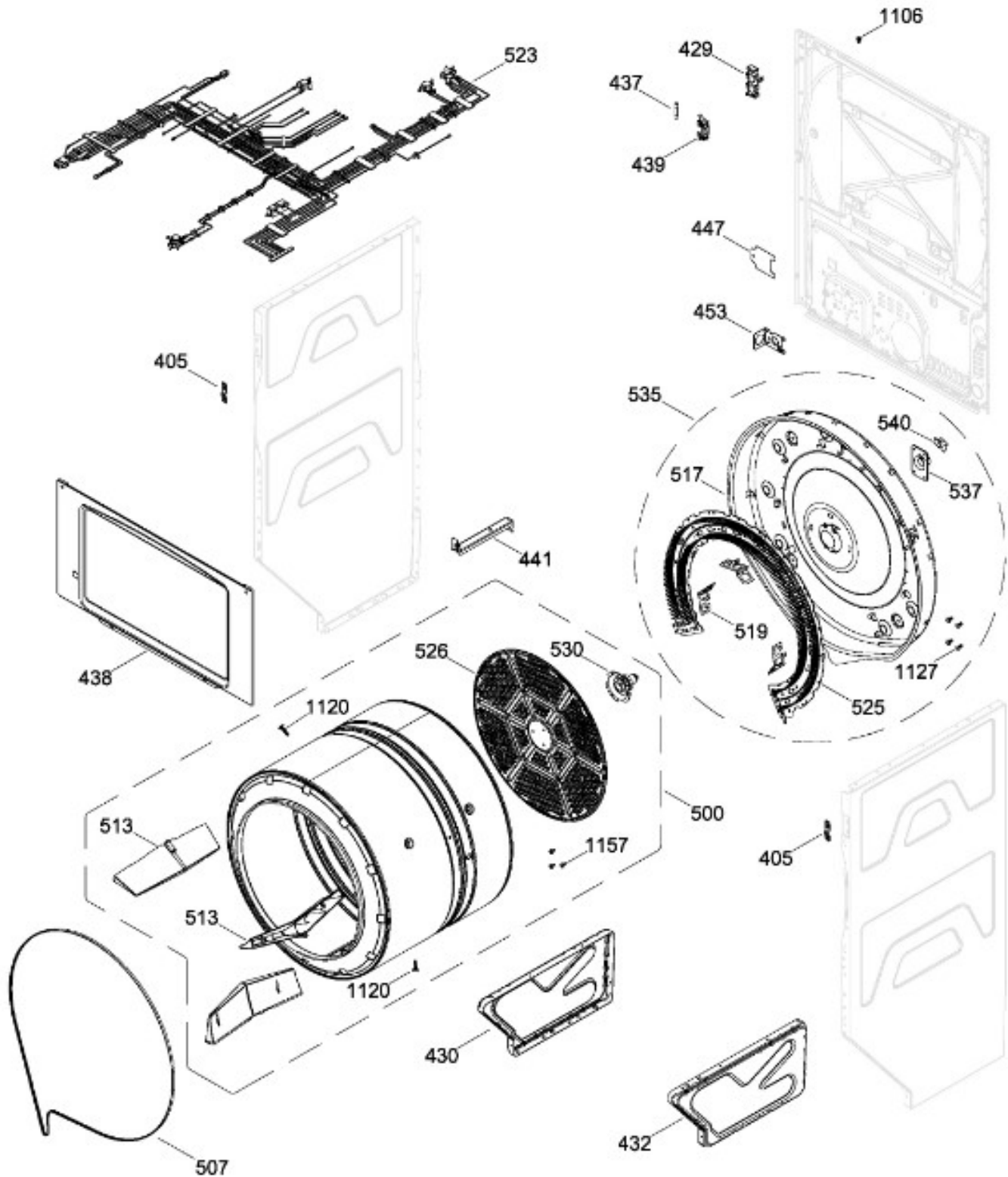
SurteRápido.com

Venta de Refacciones
Electrodomesticas

C.L. MCL1540EEDGX01

GABINETE Y TAMBOR SECADORA /CABINET & DRUM DRYER

MCL1540EEDGX01



Distribuidor Autorizado

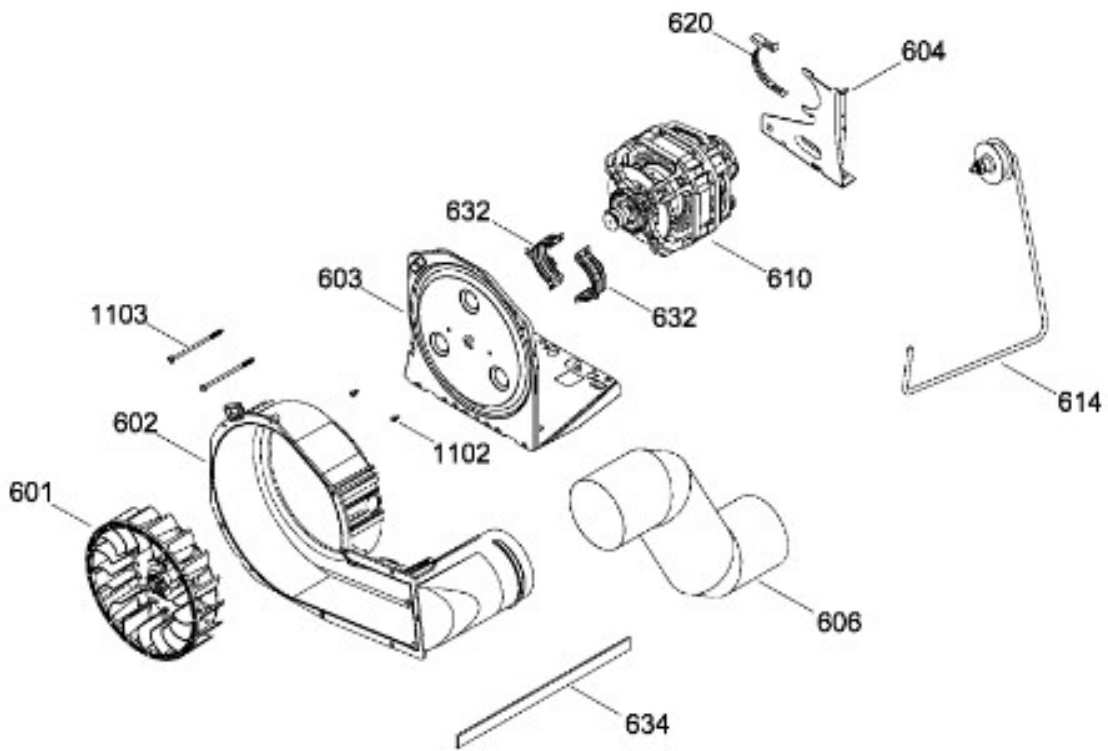
SurteRápido.com

Venta de Refacciones
Electrodomesticas

C.L. MCL1540EEDGX01

SISTEMA DE TRANSMISION SEC / BLOWER & DRIVE ASSEMBLY DRYER

MCL1540EEDGX01



Distribuidor Autorizado

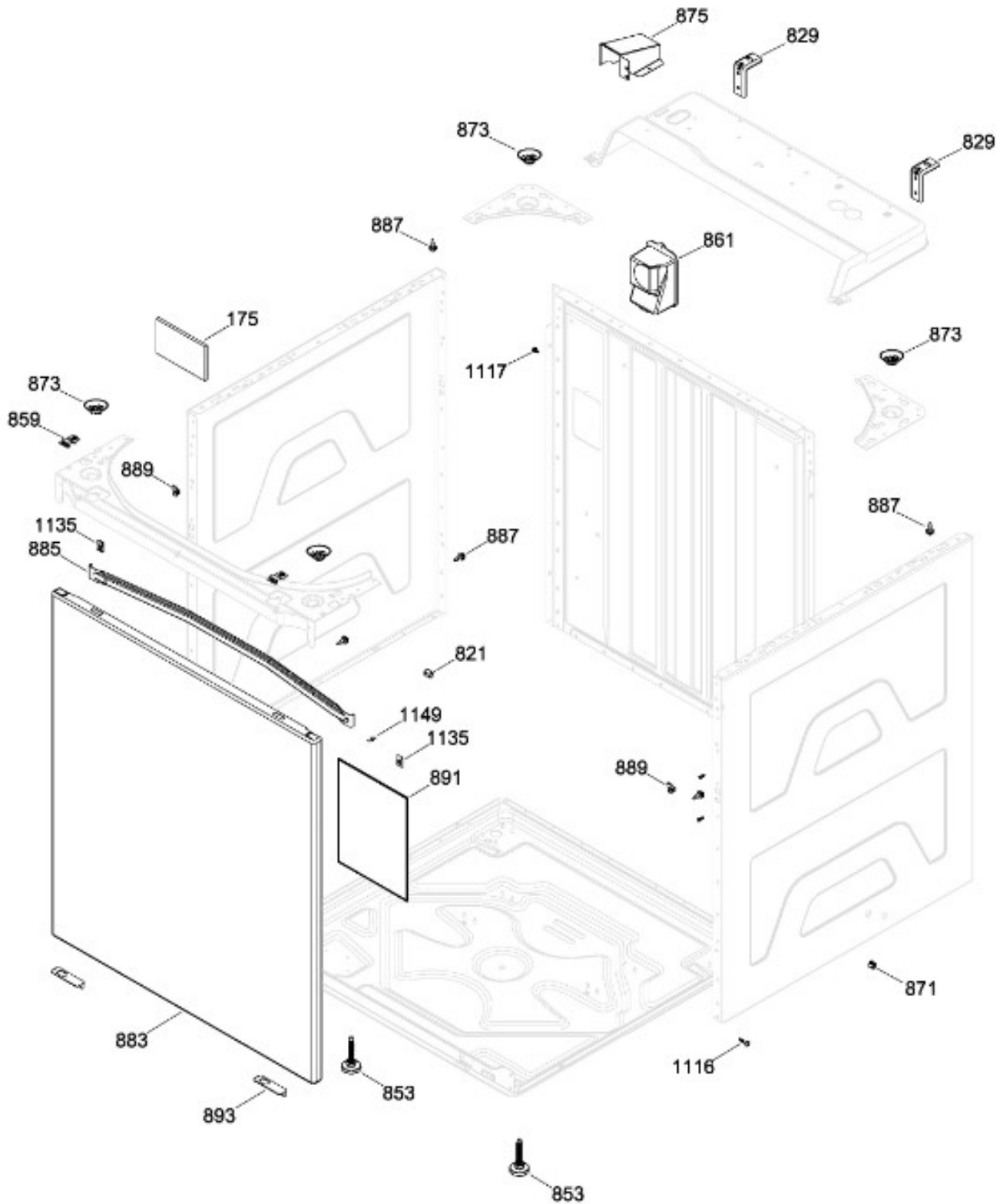
SurteRápido.com

Venta de Refacciones
Electrodomesticas

C.L. MCL1540EEDGX01

GABINETE LAV / WASHER CABINET

MCL1540EEDGX01



Distribuidor Autorizado

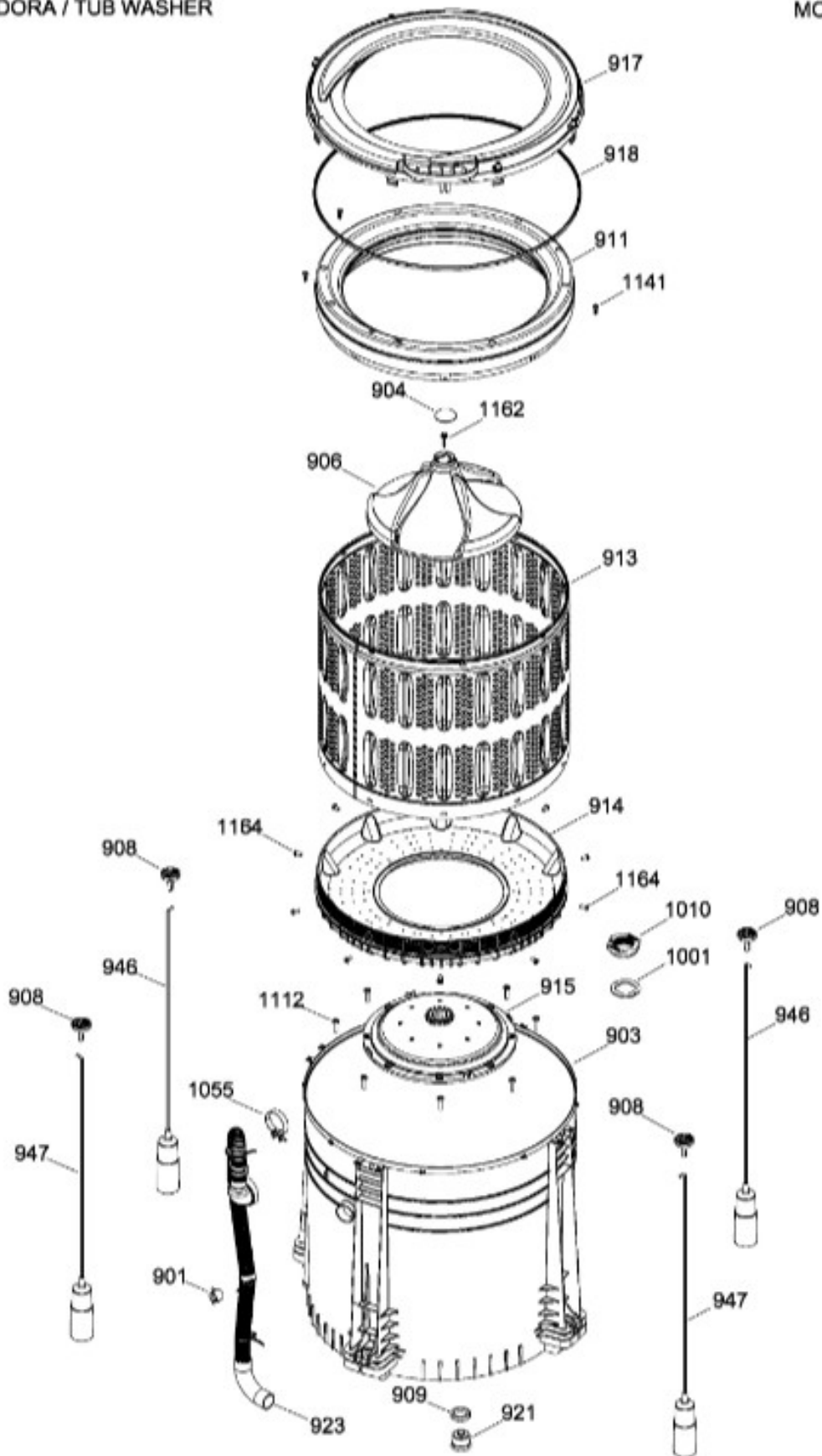
SurteRápido.com

Venta de Refacciones
Electrodomesticas

C.L. MCL1540EEDGX01

TINA LAVADORA / TUB WASHER

MCL1540EEDGX01



Distribuidor Autorizado

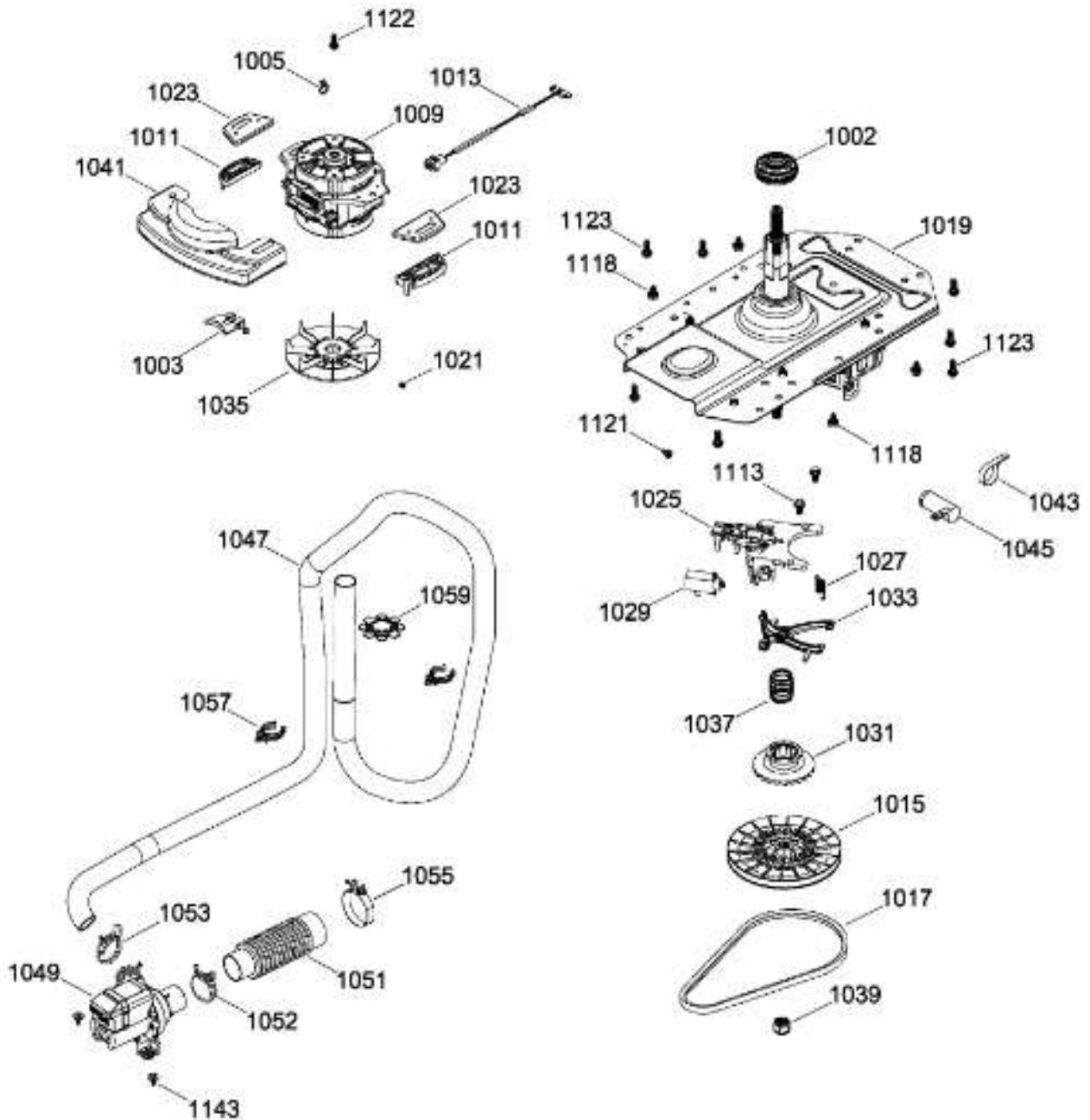
SurteRápido.com

Venta de Refacciones
Electrodomesticas

C.L. MCL1540EEDGX01

SISTEMA MOTRIZ LAV / DRIVE COMPONENTS WASHER

MCL1540EEDGX01



Distribuidor Autorizado

SurteRápido.com

Venta de Refacciones
Electrodomesticas

C.L. MCL1540EEDGX01

| Guía | Refacción | Descripción |
|------|------------|----------------------------------|
| 3 | WW03A00011 | BUJE BISAGRA |
| 7 | WW03L00389 | ENSAMBLE PERILLA ROTATORIA |
| 7 | WW03L00444 | ENSAMBLE PERILLA ROTATORIA |
| 7 | WW03A00271 | PERILLA ROTATORIA |
| 8 | WW01L01428 | PERILLA CONTROL ENSAMBLE |
| 8 | WW03L00445 | PERILLA CONTROL ENSAMBLE |
| 8 | WW03L00447 | PERILLA DE CONTROL |
| 8 | WW03L00460 | PERILLA CONTROL ENSAMBLE |
| 8 | WW03A00271 | PERILLA CONTROL ENSAMBLE |
| 9 | WW03A00059 | TOPE TAPA |
| 10 | WW02F00070 | TIMER |
| 10 | WW02F00070 | TIMER |
| 12 | WW03F00337 | VALVULA 2-1 |
| 15 | WW01F01167 | ENTRADA DE AGUA ENS |
| 19 | WW02L00036 | BOTON INICIO ENS. |
| 21 | WW02F00089 | RESISTENCIA ENS. |
| 23 | WW02L00024 | INTERRUPTOR ARRANQUE |
| 24 | WW03F00530 | HARNESS EXTENSION ASM |
| 25 | WW02L00026 | MANGUERAS |
| 27 | WW03F00531 | ARNES PRESOSTATO |
| 30 | WW01F01168 | ARNES PRINCIPAL LAV ENS |
| 33 | WW03F00338 | ARNES UI ENS. |
| 35 | WW03A00054 | SOPORTE CONTROLES |
| 35 | WW03A00255 | SOPORTE CONTROLES |
| 38 | WW03L00237 | CUBIERTA TERMINAL FUSIBLE |
| 40 | WW01L01439 | Panel de control y Heat Transfer |
| 45 | WW03L00366 | PROTECTOR TIMER |
| 46 | WW01A00113 | ABRAZADERA MANGUERA |
| 51 | WW03F00001 | ACTUADOR |
| 54 | WW03F00047 | SELECTOR PROGRAMA |
| 59 | WW03L00255 | TAPON PANEL SUPERIOR |
| 60 | WW02F00629 | PROTECTOR HUMEDAD TARJETA |
| 63 | WW01L01168 | PROTECTOR TARJETA |
| 64 | WW03F00339 | RELEVADOR |
| 64 | WW03A00253 | RELEVADOR |

Distribuidor Autorizado

SurteRápido.com

Venta de Refacciones
Electrodomesticas

C.L. MCL1540EEDGX01

| Guía | Refacción | Descripción |
|------|------------|-----------------------------|
| 65 | WW02F00024 | ARNES EXT PRINCIPAL |
| 66 | WW03A00056 | SOPORTE TARJETA |
| 69 | WW01F01851 | TARJETADE CONTROL |
| 72 | WW01F01504 | BOTON SELECTOR |
| 78 | WW01F00166 | ARNES PRESOSTATO |
| 81 | WW03F00011 | ARNES SELECTOR |
| 87 | WW01F00338 | SELECTOR 5 PROGRAMAS |
| 99 | WW02A00022 | BLOCAPUERTA |
| 105 | WW03L00006 | BISAGRA CUBIERTA |
| 114 | WW03L00386 | CUBIERTA LAVADORA |
| 115 | WW03A00009 | BRACKET |
| 115 | WW03A00277 | BRACKET |
| 117 | WW03L00387 | TAPA LAVADORA |
| 119 | WW02F00131 | FIELTRO |
| 119 | WW02F00784 | FIELTRO |
| 120 | WW03L00007 | BISAGRA CUBIERTA |
| 128 | WW03A00117 | SELLO |
| 143 | WW03A00012 | CLIP CUBIERTA |
| 145 | WW03A00055 | SOPORTE RESORTE |
| 149 | WW03F00049 | MAGNETO |
| 153 | WW03A00033 | RESORTE CUBIERTA LAVADOR |
| 155 | WW03F00031 | DESPACHADOR CLORO |
| 155 | WW03F00031 | DESPACHADOR CLORO |
| 175 | WW03L00037 | PARCHE IMPACTO |
| 175 | WW03L00037 | PARCHE IMPACTO |
| 200 | WW03L00391 | PANEL FRONTAL |
| 201 | WW02F00617 | FILTRO ATRAPAPELUSA |
| 202 | WW03L00044 | PUERTA INT. |
| 205 | WW03A00211 | ESPACIADRO DE PUERTA SOLIDA |
| 207 | WW03L00392 | PUERTA EXTERIOR |
| 208 | WW03L00393 | JALADERA PUERTA SOLIDA |
| 210 | WW01L01430 | ENS. COJINETE SUPERIOR |
| 212 | WW02L00025 | INTERRUPTOR PUERTA |
| 213 | WW01L01329 | FELPA COLECTOR DE AIRE |
| 213 | WW02F00783 | FELPA COLECTOR DE AIRE |

Distribuidor Autorizado

SurteRápido.com

Venta de Refacciones
Electrodomesticas

C.L. MCL1540EEDGX01

| Guía | Refacción | Descripción |
|-------------|------------------|--------------------------------|
| 213 | WW02F00783 | FELPA DUCTO RECOLECTOR |
| 215 | WW03A00015 | COJINETE DESLIZABLE |
| 216 | WW03A00016 | COJINETE DESLIZABLE |
| 216 | WW02A00250 | COJINETE DESLIZABLE |
| 218 | WW03F00010 | ARNES PUERTA |
| 219 | WW03L00047 | TAPA DUCTO |
| 220 | WW02A00004 | STRIKE |
| 222 | WW03A00053 | SOPORTE TOP BEARING |
| 222 | WW02F00762 | SOPORTE TOP BEARING |
| 237 | WW01F01169 | DUCTO RECOLECTOR ENS |
| 252 | WW01L01158 | SELLO CUBIERTA DUCTO RECOLECTO |
| 269 | WW03L00012 | CUBIERTA DUCTO RECOLECTOR |
| 285 | WW02L00037 | LATCH ASM. |
| 293 | WW03F00532 | SELLO PUERTA |
| 297 | WW02L00028 | BISAGRA PUERTA |
| 405 | WW03A00014 | CLIP PANEL FRONTAL |
| 405 | WW03A00254 | CLIP PANEL FRONTAL |
| 409 | WW03A00080 | LOGO MABE |
| 429 | WW01F01126 | TERMINAL BLOCK |
| 430 | WW03A00051 | SOPORTE BASE CHASIS |
| 432 | WW03A00050 | SOPORTE BASE CHASIS |
| 434 | WW03A00042 | SELLO DE SALIDA |
| 437 | WW03F00460 | FUSIBLE |
| 438 | WW03L00385 | PANEL DE ACCESO |
| 439 | WW03F00459 | PORTAFUSIBLE |
| 441 | WW01L01171 | REFUERZO |
| 447 | WW01A00458 | TAPA TOMACORRIENTE |
| 453 | WW02A00128 | SOPORTE ANTI TENSION |
| 453 | WW01A00535 | SOPORTE ANTI TENSION |
| 500 | WW02L00022 | TAMBOR ALETAS ENS. |
| 507 | WW02F00028 | BANDA SECADORA |
| 507 | WW02F00854 | BANDA SECADORA |
| 513 | WW03L00003 | ALETA |
| 513 | WW02F00851 | ALETA |
| 513 | WW02F00851 | ALETA |

Distribuidor Autorizado

SurteRápido.com

Venta de Refacciones
Electrodomesticas

C.L. MCL1540EEDGX01

| Guía | Refacción | Descripción |
|------|------------|---------------------------|
| 517 | WW03L00152 | CUBIERTA CALENTADOR |
| 517 | WW03L00152 | CUBIERTA CALENTADOR |
| 519 | WW01A00442 | SOPORTE DE PROTECCION |
| 523 | WW01F01852 | ARNES PRINCIPAL ENSAMBLE |
| 525 | WW03F00341 | CALENTADOR |
| 526 | WW02F00827 | DIFUSOR |
| 530 | WW02A00019 | ENS. SOPORTE BUJE |
| 535 | WW03F00342 | CALENTADOR Y CUBIERTA ENS |
| 537 | WW02A00005 | RETENEDOR RODAMIENTO |
| 540 | WW02F00833 | SOPORTE TIERRA ENS |
| 601 | WW01F01162 | VENTILADOR REDONDO |
| 601 | WW02A00011 | VENTILADOR REDONDO |
| 602 | WW02L00013 | CAJA DEL VENTILADOR |
| 603 | WW01L01163 | BASE MOTOR |
| 603 | WW01L01163 | BASE MOTOR |
| 603 | WW02L00642 | BASE MOTOR |
| 604 | WW02F00027 | SOPORTE MOTOR |
| 606 | WW03F00033 | DUCTO ESCAPE |
| 606 | WW02F00780 | DUCTO ESCAPE |
| 610 | WW01F00903 | MOTOR Y POLEA ENS |
| 614 | WW02A00008 | ENS. BRAZO AUXILIAR |
| 614 | WW03F00350 | ENS. BRAZO AUXILIAR |
| 620 | WW02F00031 | CLIP MOTOR |
| 632 | WW02F00003 | CORREA MOTOR |
| 632 | WW02A00232 | CORREA MOTOR |
| 634 | WW02A00026 | EMPAQUE ESCAPE SOPLADOR |
| 634 | WW02F00785 | EMPAQUE ESCAPE SOPLADOR |
| 707 | WW01A00539 | TORNILLO |
| 732 | WW03A00092 | TORNILLO 6-16 B B1Q1 3/4 |
| 821 | WW01L01164 | TAPON DE BOTON |
| 821 | WW01L01164 | TAPON DE BOTON |
| 829 | WW02A00014 | SOPORTE DE AJUSTE |
| 853 | WW03L00038 | PATA NIVELADORA |
| 859 | WW03A00013 | CLIP CIERRE |
| 861 | WW03L00050 | TAPA MANGUERA |

Distribuidor Autorizado

SurteRápido.com

Venta de Refacciones
Electrodomesticas

C.L. MCL1540EEDGX01

| Guía | Refacción | Descripción |
|-------------|------------------|-------------------------------|
| 871 | WW01L01166 | TAPON |
| 873 | WW03L00005 | BASE ROTULA |
| 875 | WW03F00009 | CUBIERTA ARNES PRINCIPAL |
| 883 | WW03L00388 | PANEL FRONTAL LAVADORA |
| 885 | WW03L00045 | REFUERZO PANEL FRONTAL |
| 887 | WW03A00028 | PERNO ALINEADOR |
| 889 | WW01A00445 | CLIP DE TIERRA |
| 891 | WW02F00025 | AISLANTE DE RUIDO |
| 893 | WW02L00031 | CALZA NIVELADORA |
| 901 | WW01A00068 | ABRAZADERA MANGUERA |
| 903 | WW02L00004 | TINA |
| 904 | WW01L00300 | TAPA PROPELA |
| 904 | WW01L01505 | TAPA PROPELA |
| 906 | WW03F00323 | INFUSOR |
| 906 | WW01F01657 | INFUSOR |
| 908 | WW01F00265 | ROTULA |
| 909 | WW03F00128 | GASKET |
| 911 | WW01L00017 | ARO DE BALANCE ENS |
| 913 | WW01L01387 | CANASTA ACERO INOXIDABLE |
| 913 | WW01L01744 | CANASTA ACERO INOXIDABLE |
| 914 | WW01L00154 | FONDO PLASTICO |
| 915 | WW03A00215 | FONDO CANASTA |
| 917 | WW01L01761 | CUBIERTA TINA 10 KG |
| 918 | WW01L00467 | SELLO CUBIERTA TINA |
| 921 | WW01F01152 | TAPON TUBO PRESOSTATO |
| 923 | WW03F00052 | MANGUERA |
| 946 | WW03F00501 | VARILLA ENSAMBLE |
| 947 | WW03F00504 | VARILLA ENSAMBLE |
| 1001 | WW01A00556 | ARANDELA PLANA NUEVA |
| 1002 | WW02F00547 | SELLO TINA |
| 1003 | WW01F01172 | SOPORTE TARJETA SENSOR |
| 1005 | WW01A00006 | CINCHO ESPADA (BOMBA Y ARNES) |
| 1009 | WW01F00203 | ENS. MOTOR |
| 1009 | WW03F00121 | ENS. MOTOR |
| 1010 | WW01A00048 | TUERCA AMAZ IZQ. |

Distribuidor Autorizado

SurteRápido.com

Venta de Refacciones
Electrodomesticas

C.L. MCL1540EEDGX01

| Guía | Refacción | Descripción |
|-------------|------------------|--------------------------------|
| 1011 | WW02F00018 | ESPACIADOR MOTOR |
| 1013 | WW02F00222 | TARJETA SENSOR |
| 1015 | WW01F00043 | POLEA TRANSMISION |
| 1017 | WW01F00345 | BANDA UNIFICADA |
| 1017 | WW01F00345 | BANDA UNIFICADA |
| 1019 | WW03L00381 | ENSAMBLE SOPORTES |
| 1021 | WW01F00272 | OPRESOR POLEA |
| 1023 | WW01L00355 | REFUERZO MOTOR |
| 1025 | WW01A00031 | SOPORTE HORQUILLA |
| 1027 | WW01A00091 | RESORTE HORQUILLA |
| 1029 | WW01F00263 | TERMOACTUADOR |
| 1031 | WW01F00015 | CAMBIADOR |
| 1031 | WW02F00796 | CAMBIADOR |
| 1033 | WW01A00029 | HORQUILLA CAMBIADOR |
| 1035 | WW03F00060 | POLEA MOTOR ENSAMBLE |
| 1037 | WW01A00053 | RESORTE CAMBIADOR |
| 1039 | WW03A00072 | TUERCA POLEA MOTOR |
| 1041 | WW02L00020 | PROTECTOR TINA |
| 1043 | WW01A00708 | ABRAZADERA CAPACITOR |
| 1045 | WW03F00533 | CAPACITOR |
| 1047 | WW02L00015 | MANGUERA |
| 1047 | WW03F00542 | MANGUERA |
| 1049 | WW03F00343 | BOMBA |
| 1051 | WW03F00053 | MANGUERA |
| 1052 | WW01A00094 | ABRAZADERA |
| 1053 | WW01A00447 | ABRAZADERA |
| 1055 | WW03A00002 | ABRAZADERA |
| 1057 | WW02A00021 | CLIP MANGUERA |
| 1059 | WW03A00058 | TOPE MANGUERA |
| 1102 | WW02A00029 | TORNILLO |
| 1102 | WW02A00211 | TORNILLO |
| 1103 | WW02A00032 | TORNILLO |
| 1106 | WW02A00027 | SCREW |
| 1109 | WW01A00449 | TO 2RNILLO 8-16B FLP .525 S ZN |
| 1110 | WW02A00121 | TORNILLO |

Distribuidor Autorizado

SurteRápido.com

Venta de Refacciones
Electrodomesticas

C.L. MCL1540EEDGX01

| Guía | Refacción | Descripción |
|-------------|------------------|-------------------------------|
| 1112 | WW01A00089 | TORNILLO |
| 1113 | WW01A00082 | TORNILLO SOPORTE |
| 1115 | WW01A00450 | TORNILLO 8-18 AB 1/2 |
| 1116 | WW03A00103 | TORNILLO Y ARANDELA ENS |
| 1117 | WW01A00452 | TORNILLO |
| 1118 | WW02A00024 | TORNILLO SOP BALERO-SOP PRINC |
| 1120 | WW02A00031 | TORNILLO |
| 1121 | WW01A00001 | TORNILLO |
| 1122 | WW01A00076 | TORNILLO SUJECION |
| 1123 | WW01A00084 | TORNILLO |
| 1127 | WW01A00521 | TORNILLO |
| 1127 | WW02A00211 | TORNILLO |
| 1131 | WW02A00028 | TORNILLO |
| 1132 | WW02L00033 | ESPACIADOR ESPUMADO |
| 1135 | WW03A00073 | TUERCA RAPIDA |
| 1141 | WW01A00063 | TORNILLO |
| 1143 | WW01A00453 | TORNILLO SUJECION BOMBA |
| 1147 | WW01A00439 | TORNILLO 6-32 MCH FLP 340 SS |
| 1149 | WW03A00070 | TORNILLO TIERRA |
| 1151 | WW03A00063 | TORNILLO |
| 1153 | WW01A00454 | TORNILLO 30 X 20 IA PP |
| 1155 | WW01A00455 | TORNILLO |
| 1157 | WW01A00456 | TORNILLO #10 |
| 1162 | WW01A00065 | TORNILLO |
| 1164 | WW01A00099 | TORNILLO FONDO CANASTA |