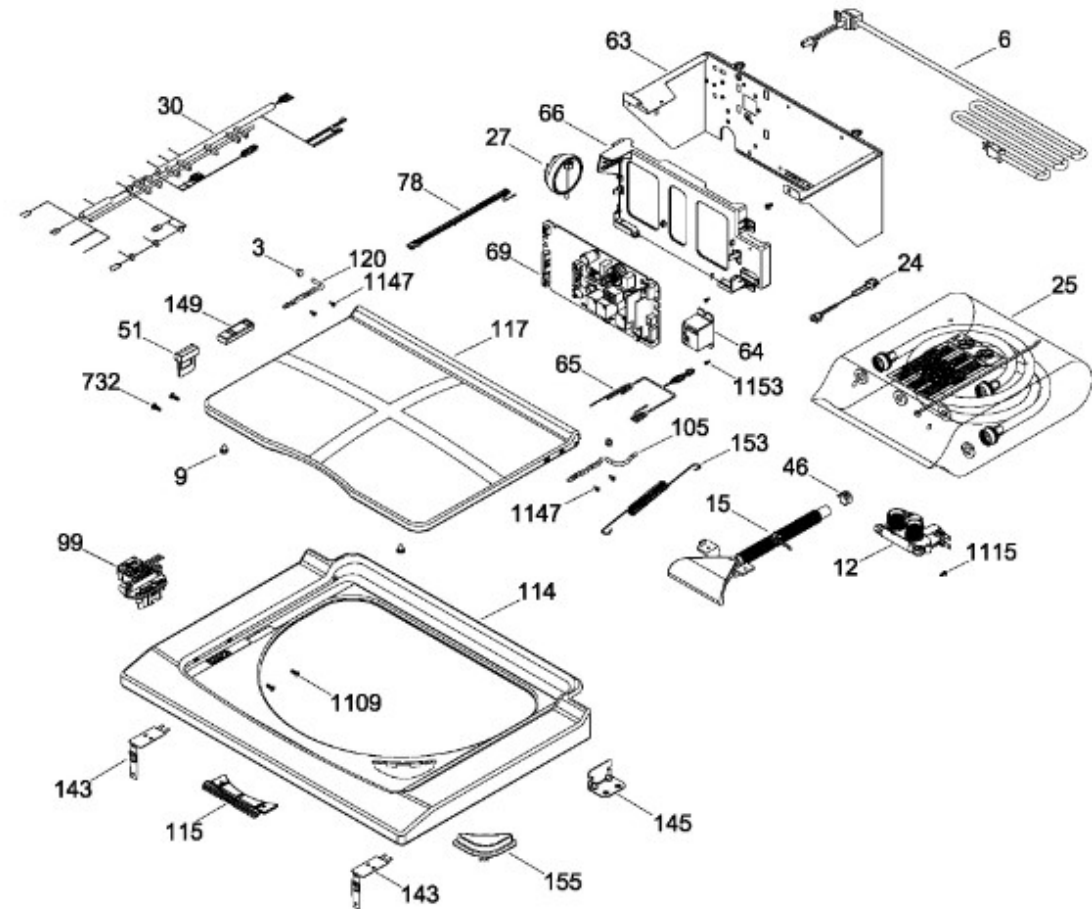
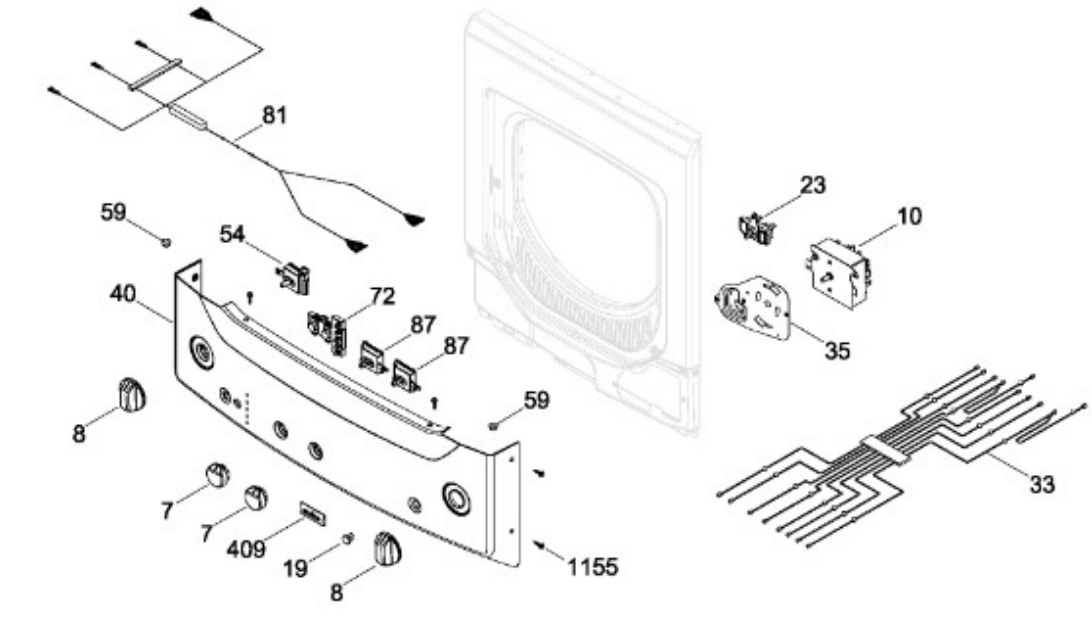


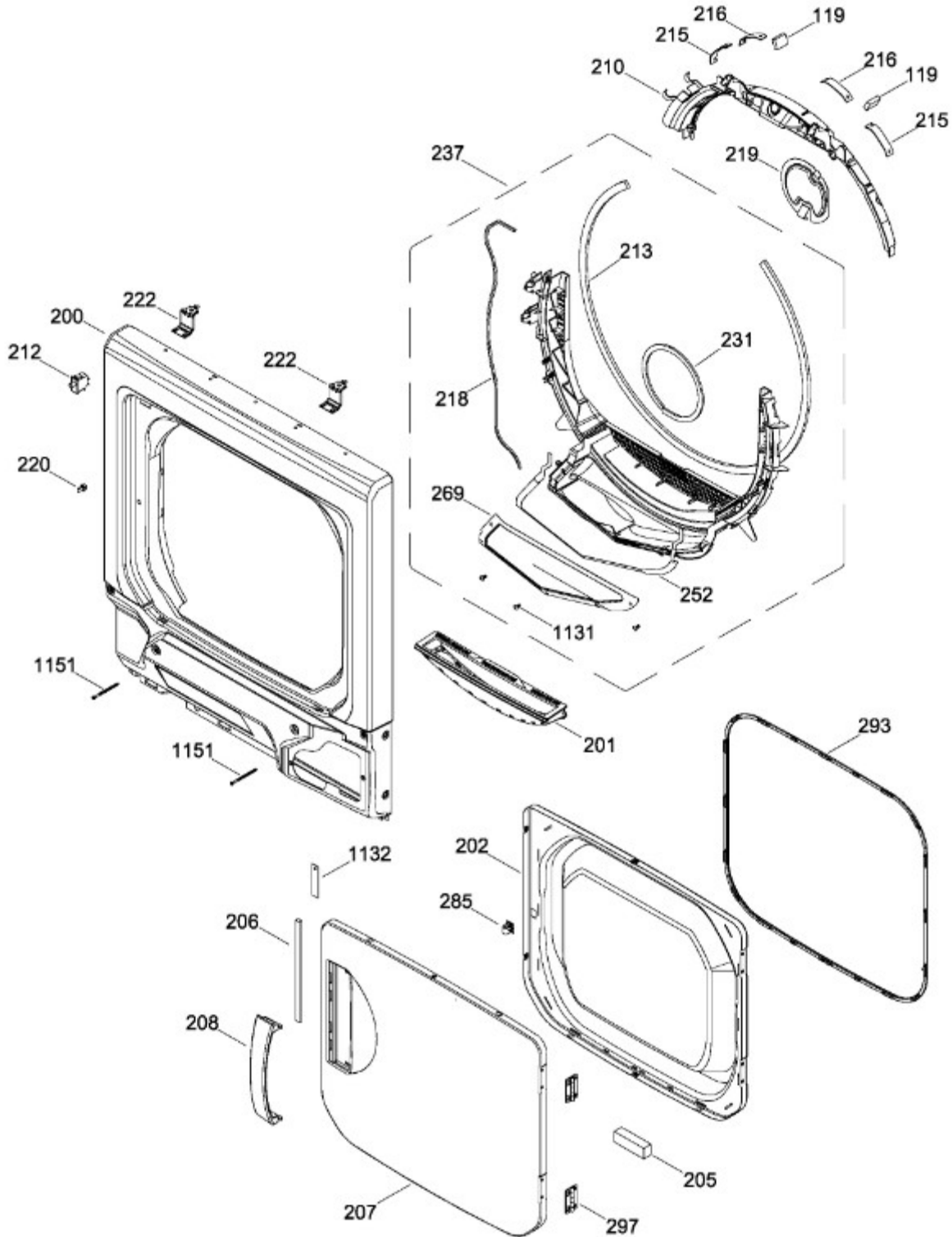
TAPA Y CONTROLES / LID AND CONTROLS

MCL1640PWBB00



PUERTA SECADORA / DOOR DRYER

MCL1640PWBB00

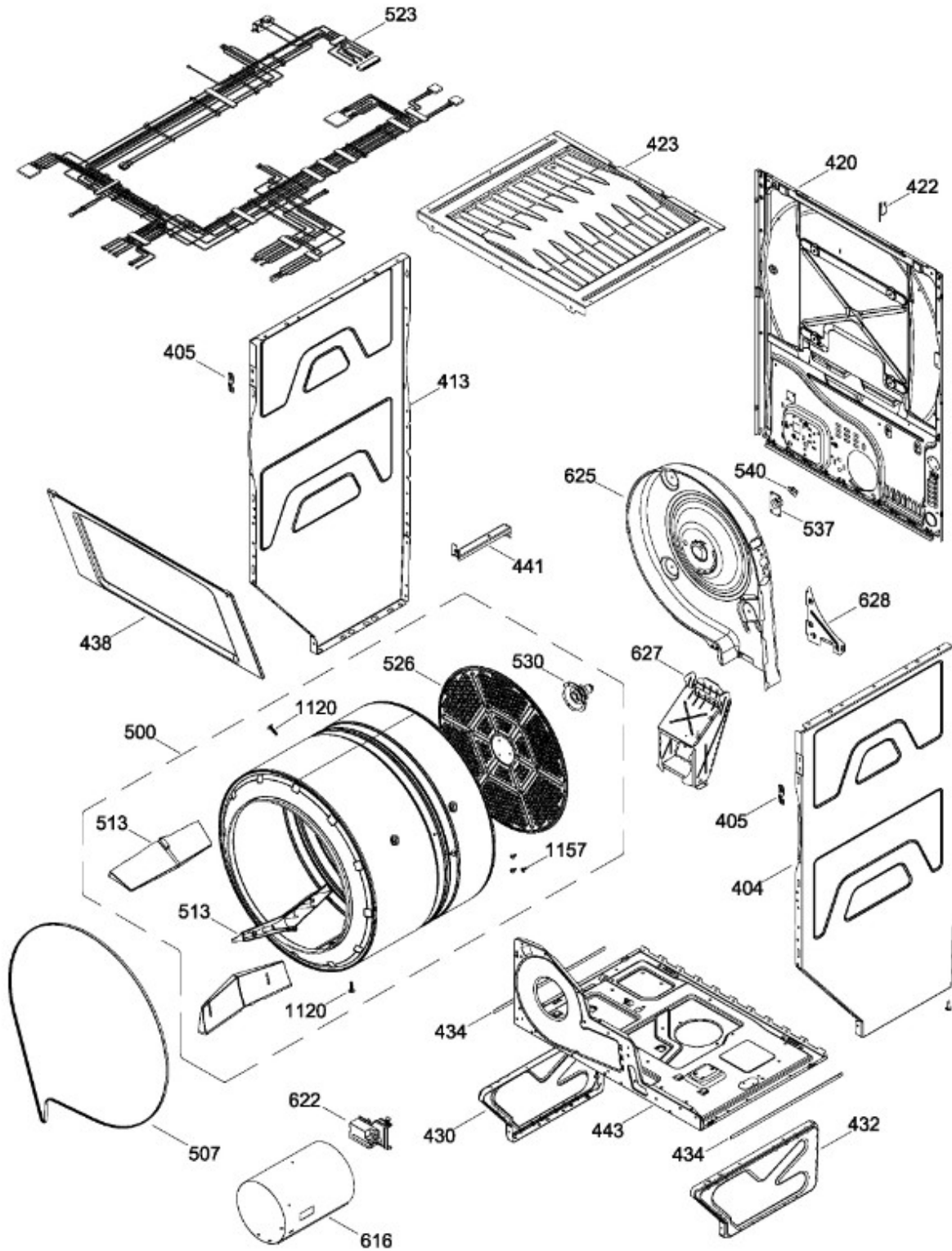




C.L. MCL1640PWBB00

GABINETE Y TAMBOR SECADORA /CABINET & DRUM DRYER

MCL1640PWBB00



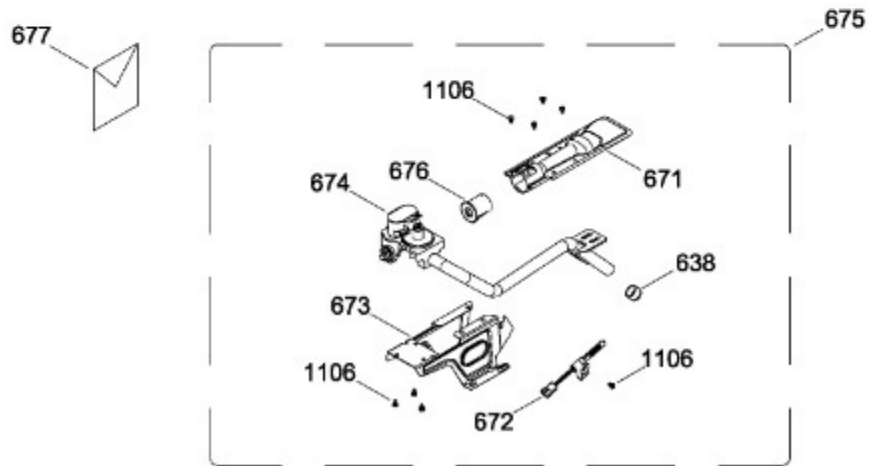
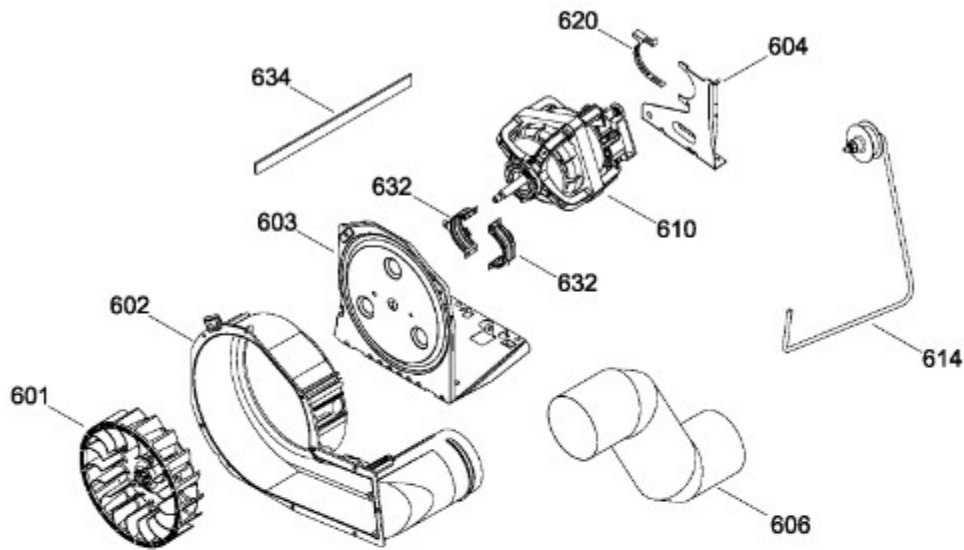
BENITO JUÁREZ #1500 GPE ZITON, CD. GUADALUPE NUEVO LEÓN TEL: 8183377999 Y 49
HORARIOS: LUNES A VIERNES 8:30 A 6:00 PM Y SÁBADOS DE 8:30 A 2:00 PM
www.denek.com



C.L. MCL1640PWBB00

SISTEMA DE TRANSMISION SEC / BLOWER & DRIVE ASSEMBLY DRYER

MCL1640PWBB00

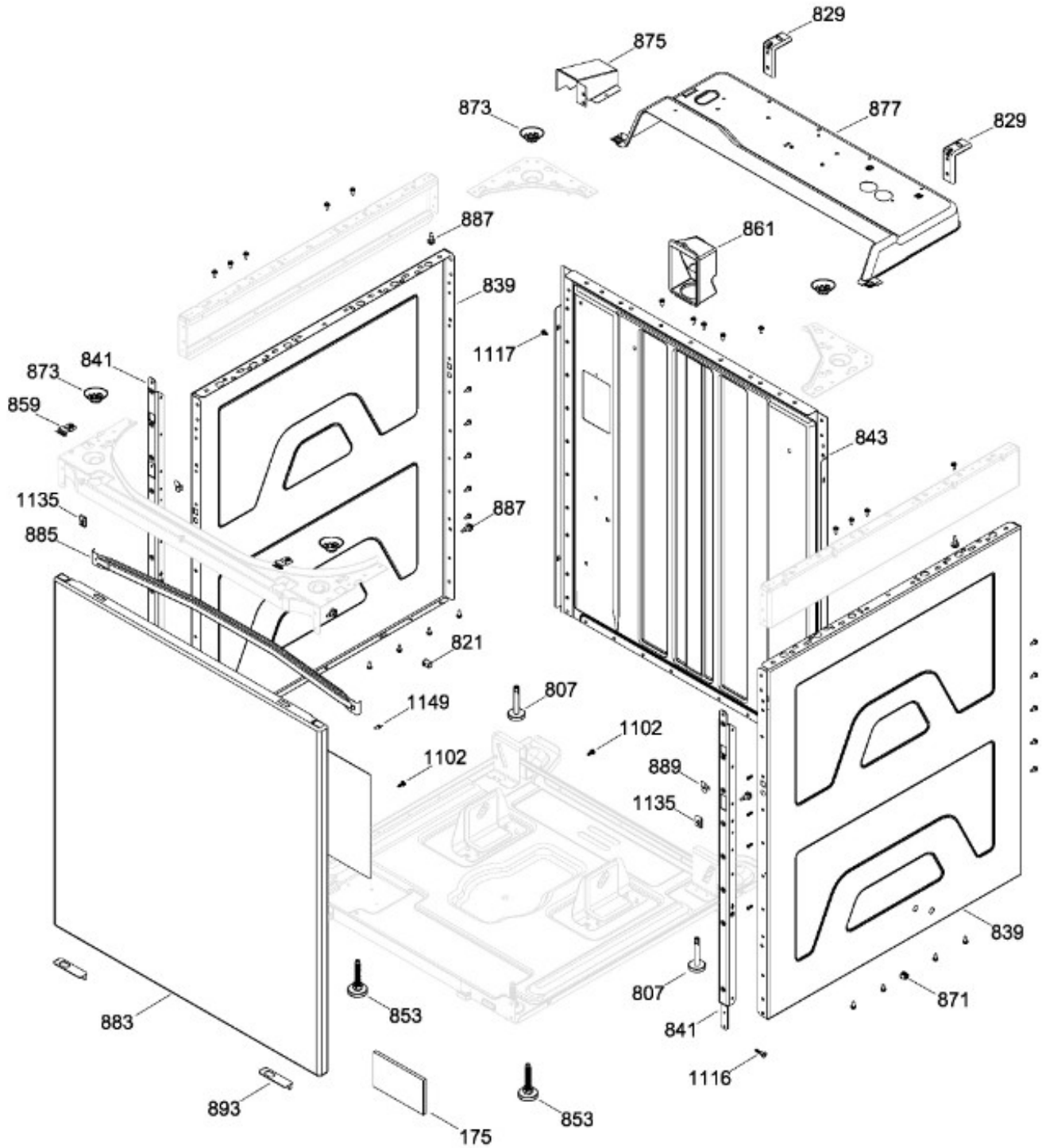




C.L. MCL1640PWBB00

GABINETE LAV / WASHER CABINET

MCL1640PWBB00



BENITO JUÁREZ #1500 GPE ZITON, CD. GUADALUPE NUEVO LEÓN TEL: 8183377999 Y 49
HORARIOS: LUNES A VIERNES 8:30 A 6:00 PM Y SÁBADOS DE 8:30 A 2:00 PM

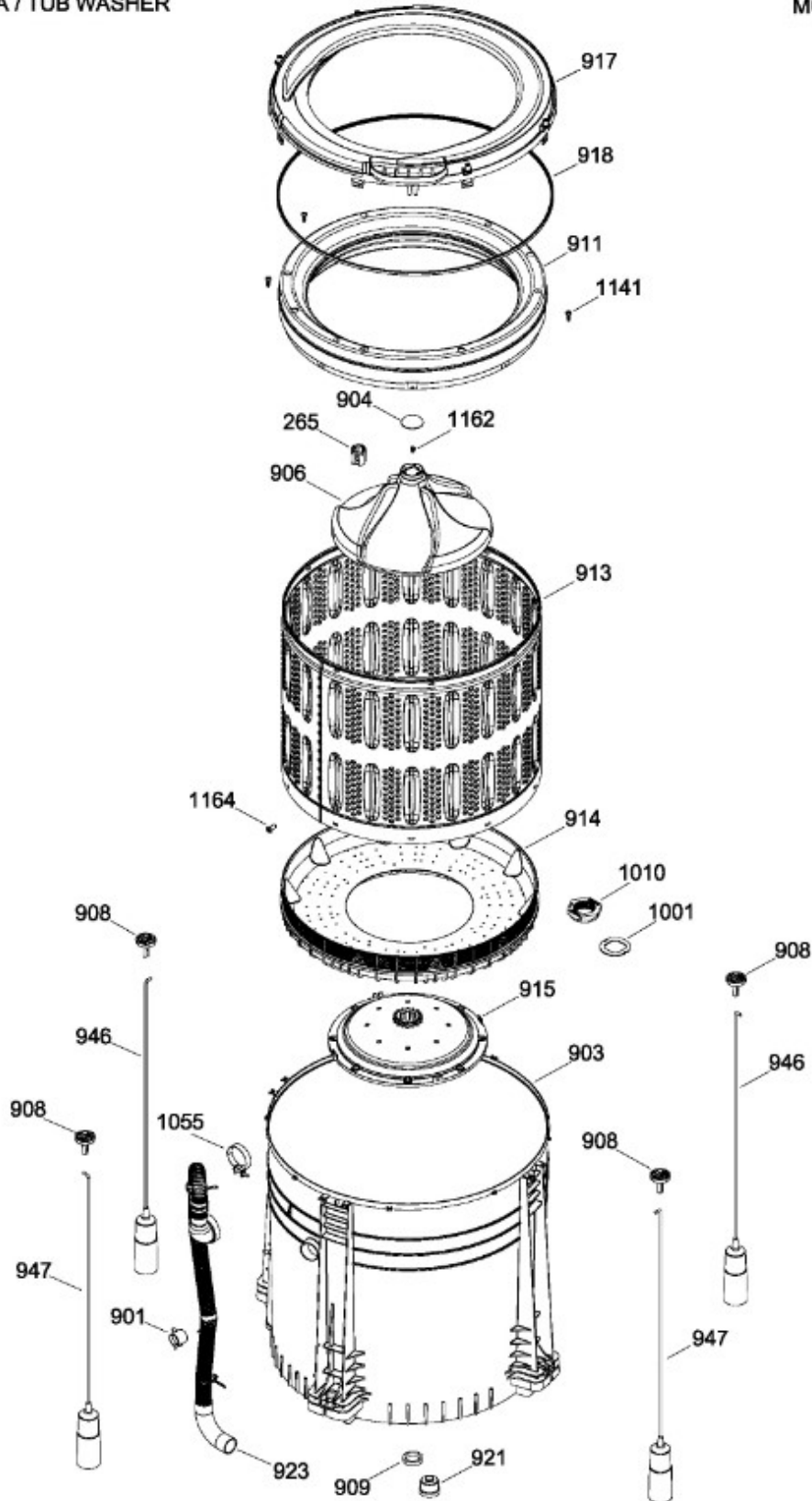
www.denek.com



C.L. MCL1640PWBB00

TINA LAVADORA / TUB WASHER

MCL1640PWBB00



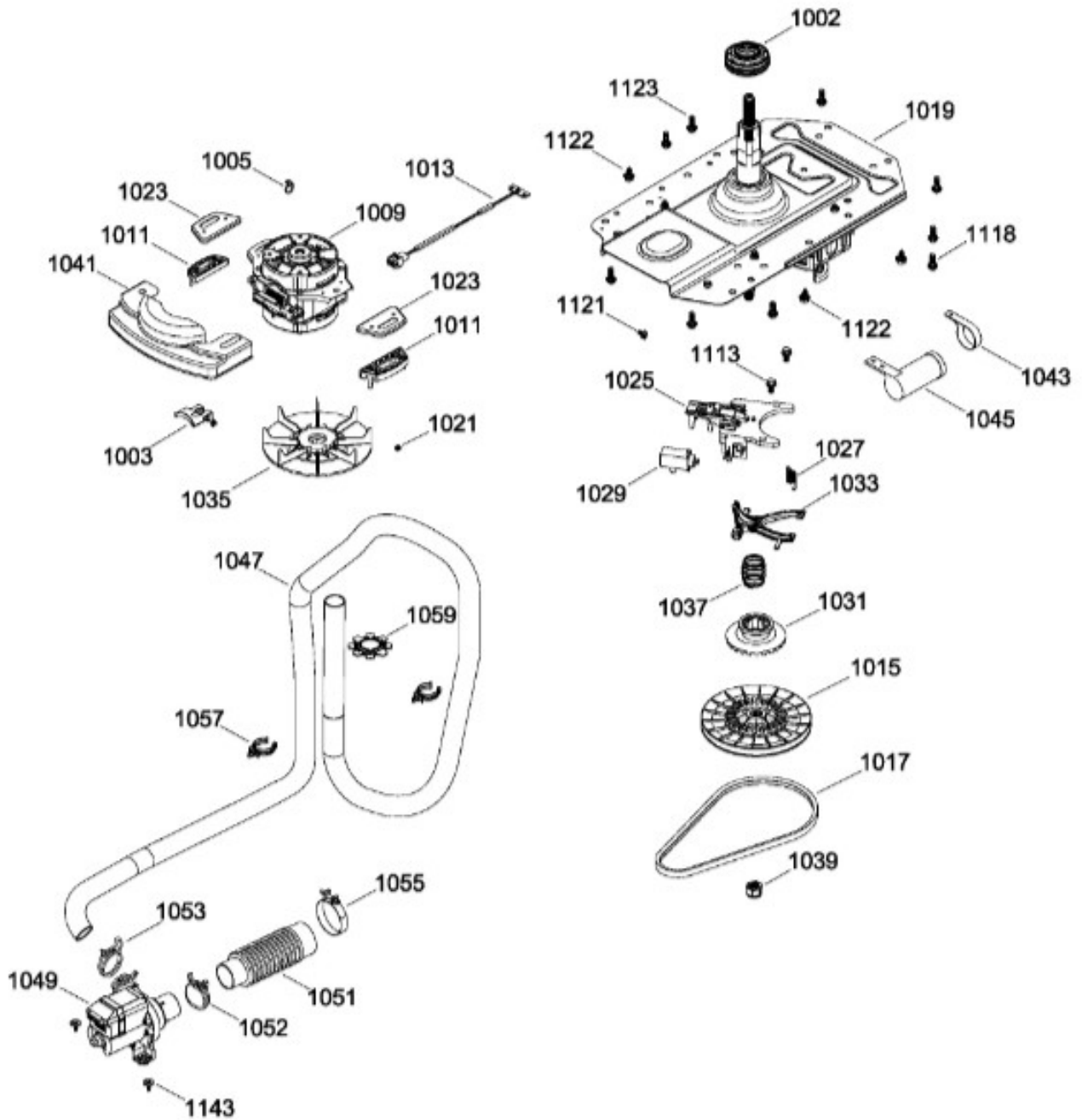
BENITO JUÁREZ #1500 GPE ZITON, CD. GUADALUPE NUEVO LEÓN TEL: 8183377999 Y 49
HORARIOS: LUNES A VIERNES 8:30 A 6:00 PM Y SÁBADOS DE 8:30 A 2:00 PM
www.denek.com



C.L. MCL1640PWBB00

SISTEMA MOTRIZ LAV / DRIVE COMPONENTS WASHER

MCL1640PWBB00



BENITO JUÁREZ #1500 GPE ZITON, CD. GUADALUPE NUEVO LEÓN TEL: 8183377999 Y 49
HORARIOS: LUNES A VIERNES 8:30 A 6:00 PM Y SÁBADOS DE 8:30 A 2:00 PM

www.denek.com



C.L. MCL1640PWBB00

Guía	Refacción	Descripción
3	WW03A00011	BUJE BISAGRA
6	WW03F00029	CORDON TOMACORRIENTE
7	WW03L00042	PERILLA ROTATORIA ENS.
8	WW03L00040	PERILLA CONTROL ENS.
9	WW03A00059	TOPE TAPA
9	WW03A00283	TOPE TAPA
10	WW03F00064	RELOJ
12	WW01F01157	VALVULA CW 47C
15	WW01F01167	ENTRADA DE AGUA ENS
19	WW02L00036	BOTON INICIO ENS.
23	WW02L00024	INTERRUPTOR ARRANQUE
24	WW02F00023	ARNES EXTENS.ION ENS.
25	WW02L00026	MANGUERAS
27	WW01F00251	PRESOSTATO
30	WW01F01168	ARNES PRINCIPAL LAV ENS
33	WW03F00012	ENS. ARNES UI
35	WW03A00054	SOPORTE CONTROLES
35	WW03A00255	SOPORTE CONTROLES
40	WW03L00030	PANEL CONTROL Y GRAFICOS ENS
40	WW03L00030	PANEL CONTROL Y GRAFICOS ENS
46	WW01A00113	ABRAZADERA MANGUERA
51	WW03F00001	ACTUADOR
54	WW03F00047	SELECTOR PROGRAMA
59	WW03L00255	TAPON PANEL SUPERIOR
63	WW01L01168	PROTECTOR DE TARJETA
63	WW01L01168	PROTECTOR DE TARJETA
64	WW02F00019	RELEVADOR
65	WW02F00024	ARNES EXT PRINCIPAL
66	WW03A00056	SOPORTE TARJETA
69	WW03F00506	TARJETA DE CONTROL
72	WW01F01504	BOTON SELECTOR
78	WW01F00166	ARNES PRESOSTATO
81	WW03F00011	ARNES SELECTOR
87	WW01F00338	SELECTOR 5 PROGRAMAS
99	WW02A00022	BLOCAPUERTA



C.L. MCL1640PWBB00

Guía	Refacción	Descripción
105	WW03L00006	BISAGRA CUBIERTA
114	WW03L00015	CUBIERTA LAVADORA
114	WW03L00015	CUBIERTA LAVADORA
115	WW03A00009	BRACKET
115	WW03A00277	BRACKET
117	WW03L00048	TAPA LAVADORA
119	WW02F00131	FIELTRO
119	WW02F00784	FIELTRO
120	WW03L00007	BISAGRA CUBIERTA
143	WW03A00012	CLIP CUBIERTA
145	WW03A00055	SOPORTE RESORTE
149	WW03F00049	MAGNETO
153	WW03A00033	RESORTE CUBIERTA LAVADOR
155	WW03F00031	DESPACHADOR CLORO
155	WW03F00031	DESPACHADOR CLORO
175	WW03L00037	PARCHE IMPACTO
175	WW03L00037	PARCHE IMPACTO
200	WW03L00031	PANEL FRONTAL
200	WW02A00228	PANEL FRONTAL DIAMOND GREY
201	WW03F00042	FILTRO
201	WW02F00617	FILTRO
202	WW03L00044	PUERTA INTERIOR
202	WW03L00044	PUERTA INTERIOR
202	WW03L00044	PUERTA INTERIOR
205	WW03A00211	ESPACIADRO DE PUERTA SOLIDA
206	WW01L01169	SELLO DUCTO RECOLECTOR
206	WW03A00117	SELLO DUCTO RECOLECTOR
207	WW03L00043	PUERTA EXTERIOR (BLANCO)
207	WW03L00043	PUERTA EXTERIOR (BLANCO)
208	WW02L00016	JALADERA PUERTA(BCO)
210	WW01L01430	ENS. COJINETE SUPERIOR
212	WW02L00025	INTERRUPTOR PUERTA
213	WW01L01329	FELPA COLECTOR DE AIRE
213	WW02F00783	FELPA COLECTOR DE AIRE
215	WW03A00015	COJINETE DESLIZABLE



C.L. MCL1640PWBB00

Guía	Refacción	Descripción
216	WW03A00016	COJINETE DESLIZABLE
216	WW02A00250	COJINETE DESLIZABLE
218	WW03F00010	ARNES PUERTA
219	WW03L00047	TAPA DUCTO
220	WW02A00004	STRIKE
222	WW03A00053	SOPORTE TOP BEARING
222	WW02F00762	SOPORTE TOP BEARING
231	WW03A00041	SELLO DE SALIDA
231	WW03A00042	SELLO DE SALIDA
237	WW01F01169	DUCTO RECOLECTOR ENS
252	WW01L01158	SELLO CUBIERTA DUCTO RECOLECTO
265	WW01A00536	INSERTO INFUSOR PARA TORNILLO
269	WW03L00012	CUBIERTA DUCTO RECOLECTOR
285	WW02L00037	LATCH ASM.
293	WW03A00045	SELLO PUERTA
293	WW03F00532	SELLO PUERTA
297	WW02L00028	BISAGRA PUERTA
405	WW03A00014	CLIP PANEL FRONTAL
405	WW03A00254	CLIP PANEL FRONTAL
409	WW03A00080	LOGO MABE
422	WW02F00022	CORD SET RETAINER
430	WW03A00051	SOPORTE BASE CHASIS
432	WW03A00050	SOPORTE BASE CHASIS
434	WW03A00042	SELLO DE SALIDA
438	WW03L00029	PANEL DE ACCESO
441	WW01L01171	REFUERZO
500	WW02L00022	TAMBOR ALETAS ENS.
507	WW02F00028	BANDA SECADORA
507	WW02F00854	BANDA SECADORA
513	WW03L00003	ALETA
513	WW02F00851	ALETA
523	WW02F00440	ARNES PRINCIPAL ENSAMBLE
526	WW02F00221	DIFUSOR
526	WW02F00827	DIFUSOR
530	WW02A00019	SOPORTEYFLECHAENSAMBLE



C.L. MCL1640PWBB00

Guía	Refacción	Descripción
537	WW02A00005	RETENEDOR RODAMIENTO
540	WW01A00443	GROUND STRAP ASSEMBLY
540	WW02F00833	GROUND STRAP ASSEMBLY
601	WW01F01162	VENTILADOR REDONDO
602	WW02L00013	CAJA DEL VENTILADOR
602	WW02L00433	CAJA DEL VENTILADOR
603	WW01L01163	BASE MOTOR
603	WW02L00642	BASE MOTOR
604	WW02F00027	SOPORTE MOTOR
606	WW03F00033	DUCTO ESCAPE
606	WW02F00780	DUCTO ESCAPE
610	WW02F00456	ENS MOTOR Y POLEA
610	WW03F00447	ENS MOTOR Y POLEA
614	WW02A00008	ENS. BRAZO AUXILIAR
614	WW03F00350	ENS. BRAZO AUXILIAR
616	WW03F00023	CAMARA DE COMBUSTION
620	WW02F00031	CLIP MOTOR
622	WW02F00001	DETECTOR TERMOSTATO
625	WW03F00095	DIFUSOR DE GAS
627	WW02F00127	DUCTO DE TRANSICION
627	WW03F00539	DUCTO DE TRANSICION
628	WW03F00097	PLACA DIFUSOR
632	WW02F00003	CORREA MOTOR
632	WW02A00232	CORREA MOTOR
634	WW02A00026	EMPAQUE ESCAPE SOPLADOR
634	WW02F00785	EMPAQUE ESCAPE SOPLADOR
638	WW02A00003	TAPA
671	WW02A00020	QUEMADORES
672	WW02F00002	ALLUME-GAZ
672	WW02F00740	ALLUME-GAZ
672	WW01F01432	ENCENDEDOR INCANDESCENTE
673	WW02A00016	SOPORTE VALVULA DE GAS
674	WW03F00484	ENS. VALVULA Y TUBO GAS LP CL
675	WW03F00087	VALVULA QUEMADOR ENS.
676	WW03F00099	CONTRA VENTANA



C.L. MCL1640PWBB00

Guía	Refacción	Descripción
677	WW03F00485	KIT VALVULA Y TUBO A GAS NAT 27"
732	WW03A00092	TORNILLO 6-16 B B1Q1 3/4
821	WW01L01164	TAPON DE BOTON
821	WW01L01164	TAPON DE BOTON
829	WW02A00014	SOPORTE DE AJUSTE
839	WW03L00035	PANEL LATERAL(BLANCO) LAVADORA
841	WW03L00257	REFUERZO LATERAL FRONTAL
843	WW02L00492	PANEL POSTERIOR LAVADORA
853	WW03L00038	PATA NIVELADORA
859	WW03A00013	CLIP CIERRE
861	WW03L00050	TAPA MANGUERA
871	WW01L01166	TAPON
873	WW03L00005	BASE ROTULA
875	WW03F00009	CUBIERTA ARNES PRINCIPAL
877	WW02F00582	SOPORTE ENTRADA AGUA 27
883	WW03L00032	PANEL FRONTAL
883	WW03L00032	PANEL FRONTAL
883	WW03L00032	PANEL FRONTAL LAVADORA
885	WW03L00045	REFUERZO PANEL FRONTAL
887	WW03A00028	PERNO ALINEADOR
889	WW01A00445	CLIP DE TIERRA
893	WW02L00031	CALZA NIVELADORA
901	WW01A00068	ABRAZADERA MANGUERA
903	WW02L00004	TINA
904	WW01L00300	TAPA PROPELA
904	WW01L01505	TAPA PROPELA
906	WW03F00323	INFUSOR
906	WW01F01657	INFUSOR
908	WW01F00265	ROTULA
909	WW03F00128	GASKET
911	WW01L00017	ARO DE BALANCE ENS
913	WW01L01387	CANASTA ACERO INOXIDABLE
913	WW01L01744	CANASTA ACERO INOXIDABLE
914	WW01L00154	FONDO PLASTICO
915	WW03A00215	FONDO CANASTA



C.L. MCL1640PWBB00

Guía	Refacción	Descripción
917	WW01L01761	CUBIERTA TINA 10 KG
918	WW01L00467	SELLO CUBIERTA TINA
921	WW01F01152	TAPON TUBO PRESOSTATO
921	WW01F01152	TAPON TUBO PRESOSTATO
921	WW01F01152	TAPON TUBO PRESOSTATO
923	WW03F00052	MANGUERA
946	WW03F00501	VARILLA ENSAMBLE
947	WW03F00504	VARILLA ENSAMBLE
1001	WW01A00556	ARANDELA PLANA NUEVA
1002	WW01L00471	SELLO TINA
1002	WW02F00547	SELLO TINA
1003	WW01F01172	SOPORTE TARJETA SENSOR
1005	WW01A00006	CINCHO ESPADA (BOMBA Y ARNES)
1009	WW01F00331	ENS. MOTOR
1009	WW01F01173	ENS. MOTOR
1010	WW01A00048	TUERCA AMAZ IZQ.
1011	WW02F00018	ESPACIADOR MOTOR
1013	WW02F00222	TARJETA SENSOR
1015	WW01F00043	POLEA TRANSMISION
1017	WW01F00345	BANDA UNIFICADA
1017	WW01F00345	BANDA UNIFICADA
1019	WW03L00381	ENSAMBLE SOPORTES
1021	WW01F00272	OPRESOR POLEA
1023	WW01L00355	REFUERZO MOTOR
1025	WW01A00031	SOPORTE HORQUILLA
1027	WW01A00091	RESORTE HORQUILLA
1029	WW01F00263	TERMOACTUADOR
1031	WW01F00015	CAMBIADOR
1031	WW02F00796	CAMBIADOR
1033	WW01A00029	HORQUILLA CAMBIADOR
1035	WW03F00060	POLEA MOTOR ENSAMBLE
1037	WW01A00053	RESORTE CAMBIADOR
1039	WW03A00072	TUERCA POLEA MOTOR
1041	WW02L00020	PROTECTOR TINA
1043	WW01A00446	CLIP CAPACITOR



C.L. MCL1640PWBB00

Guía	Refacción	Descripción
1045	WW01F00342	CAPACITOR
1047	WW02L00015	MANGUERA
1047	WW03F00542	MANGUERA
1049	WW02F00011	BOMBA
1051	WW03F00053	MANGUERA
1052	WW01A00094	ABRAZADERA
1053	WW01A00447	ABRAZADERA
1055	WW03A00002	ABRAZADERA
1057	WW02A00021	CLIP MANGUERA
1059	WW03A00058	TOPE MANGUERA
1102	WW02A00029	TORNILLO
1106	WW02A00027	SCREW
1109	WW01A00449	TO 2RNILLO 8-16B FLP .525 S ZN
1113	WW01A00082	TORNILLO SOPORTE
1115	WW01A00450	TORNILLO 8-18 AB 1/2
1116	WW03A00103	TORNILLO Y ARANDELA ENS
1117	WW01A00452	TORNILLO
1118	WW02A00024	TORNILLO SOP BALERO-SOP PRINC
1120	WW02A00031	TORNILLO
1121	WW01A00001	TORNILLO
1122	WW01A00076	TORNILLO SUJECION
1123	WW01A00084	TORNILLO
1131	WW02A00028	TORNILLO
1132	WW02L00033	ESPACIADOR ESPUMADO
1135	WW03A00073	TUERCA RAPIDA
1141	WW01A00063	TORNILLO
1143	WW01A00453	TORNILLO SUJECION BOMBA
1147	WW01A00439	TORNILLO 6-32 MCH FLP 340 SS
1149	WW03A00070	TORNILLO TIERRA
1151	WW03A00063	TORNILLO
1153	WW01A00454	TORNILLO 30 X 20 IA PP
1155	WW01A00455	TORNILLO
1157	WW01A00456	TORNILLO #10
1162	WW01A00064	TORNILLO C/GROMET COPLE
1164	WW01A00089	TORNILLO