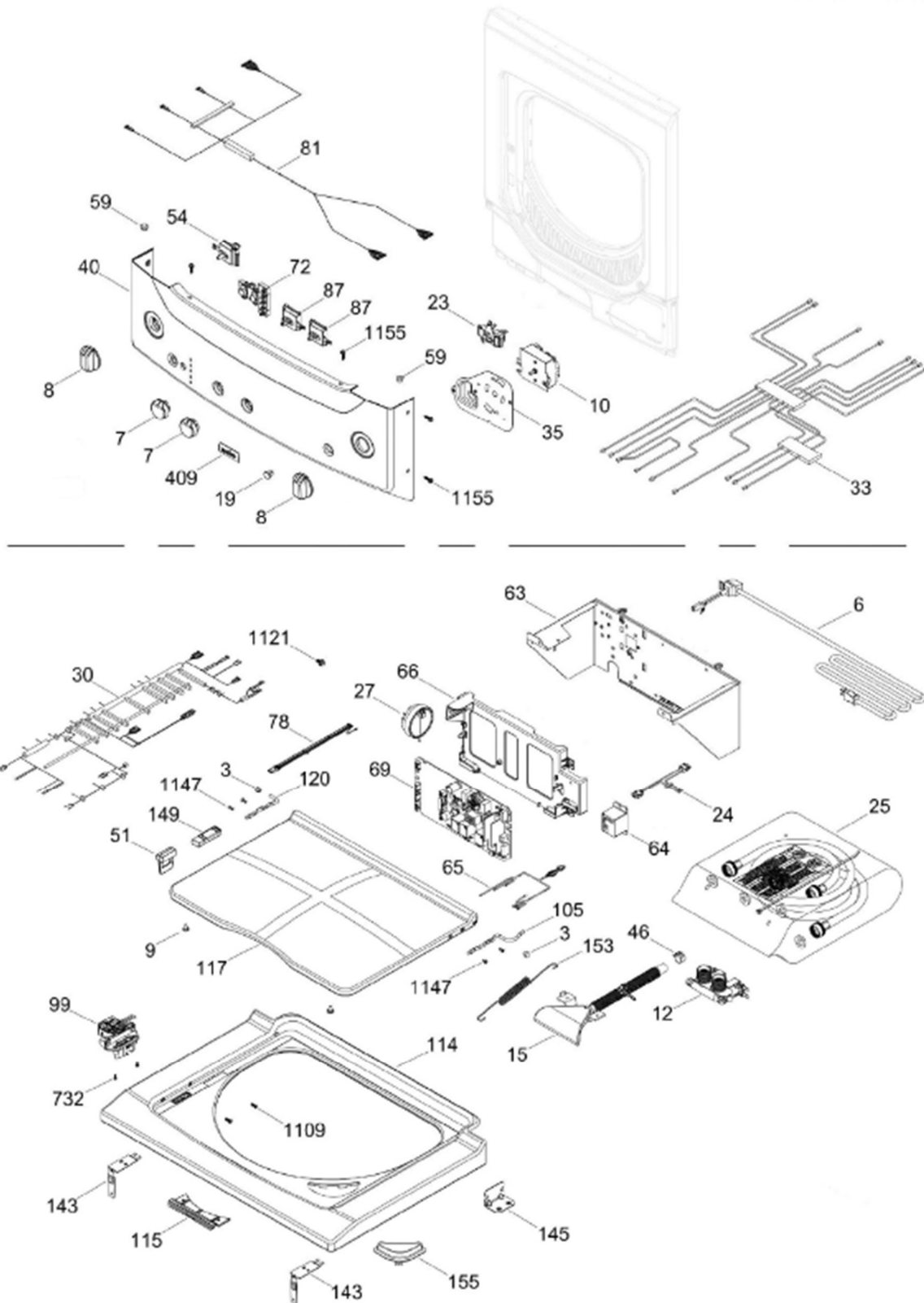


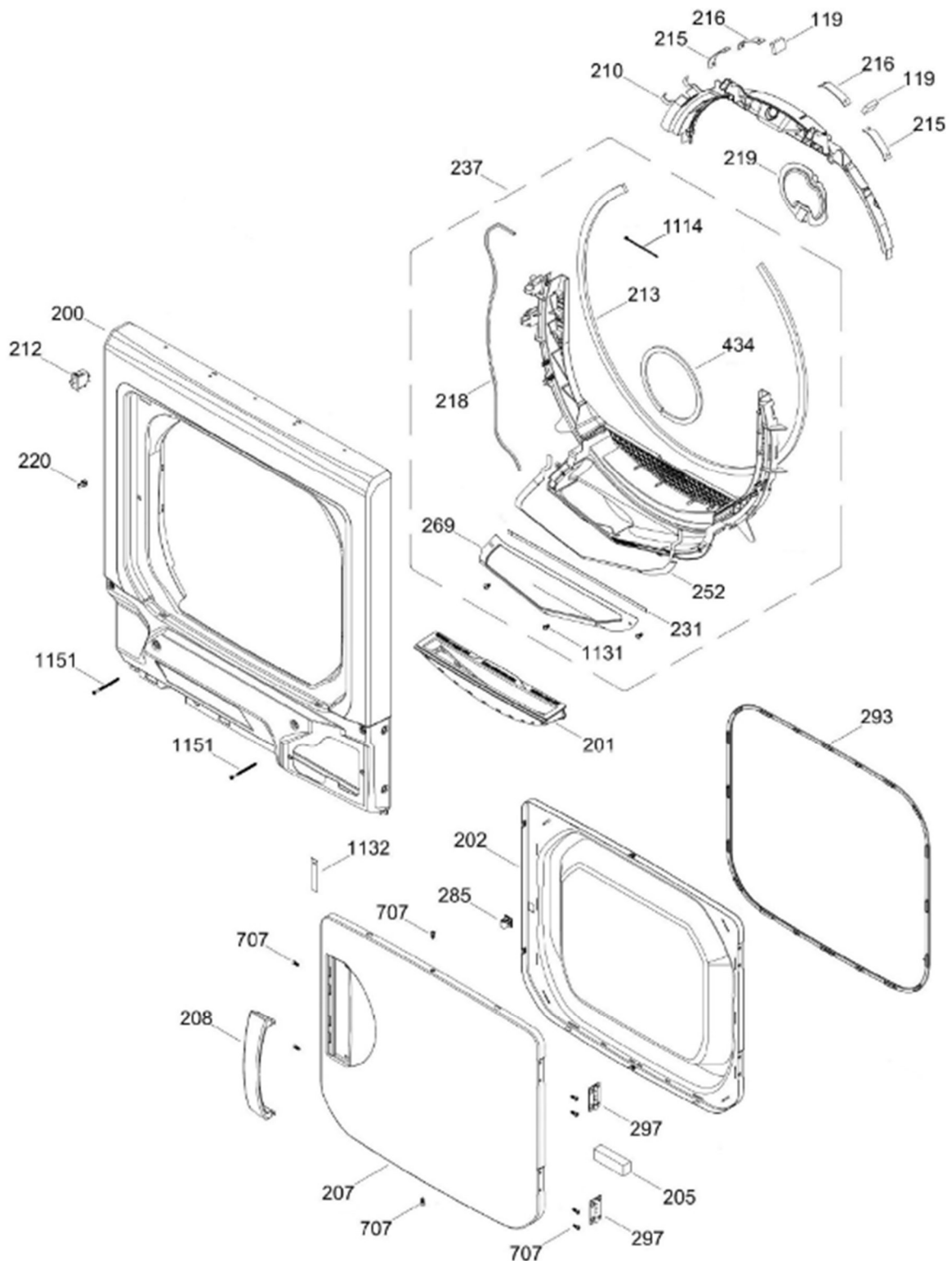
TAPA Y CONTROLES / LID AND CONTROLS

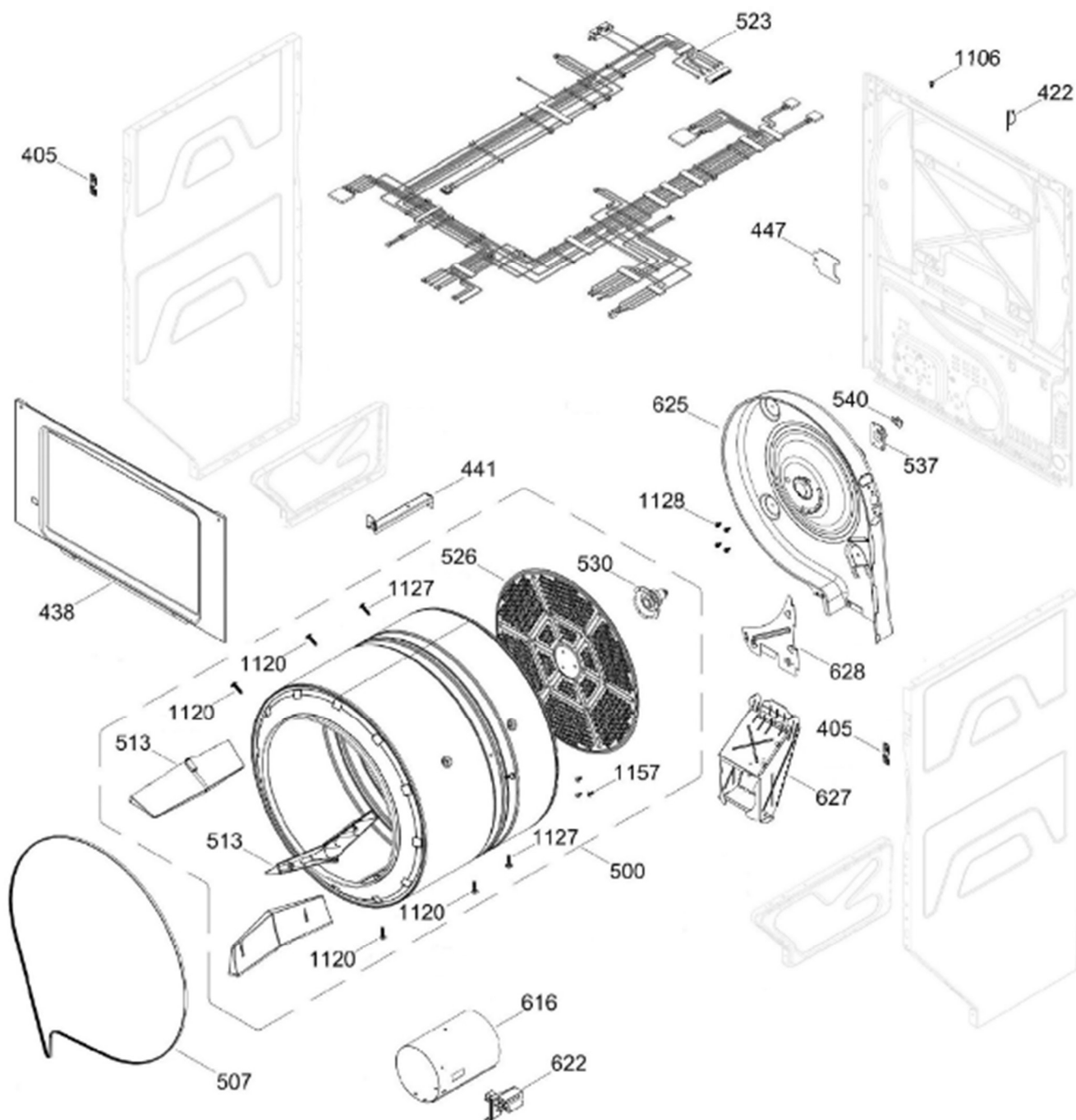
MCL1640PWBB10

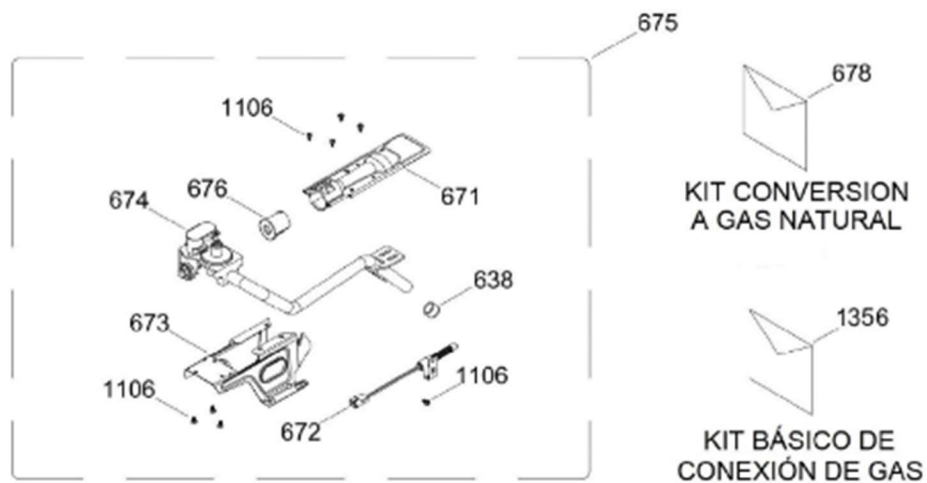
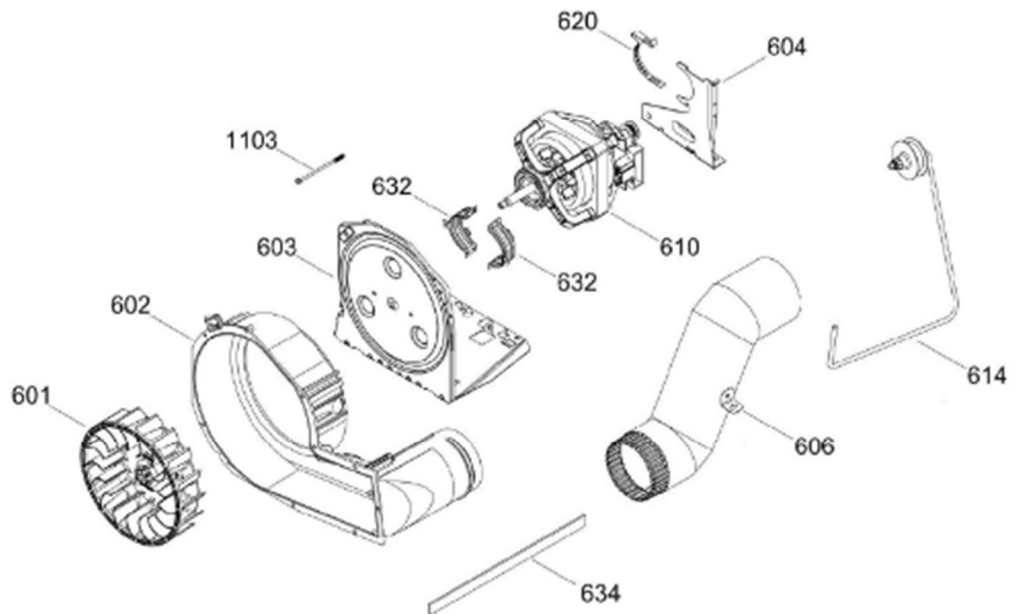


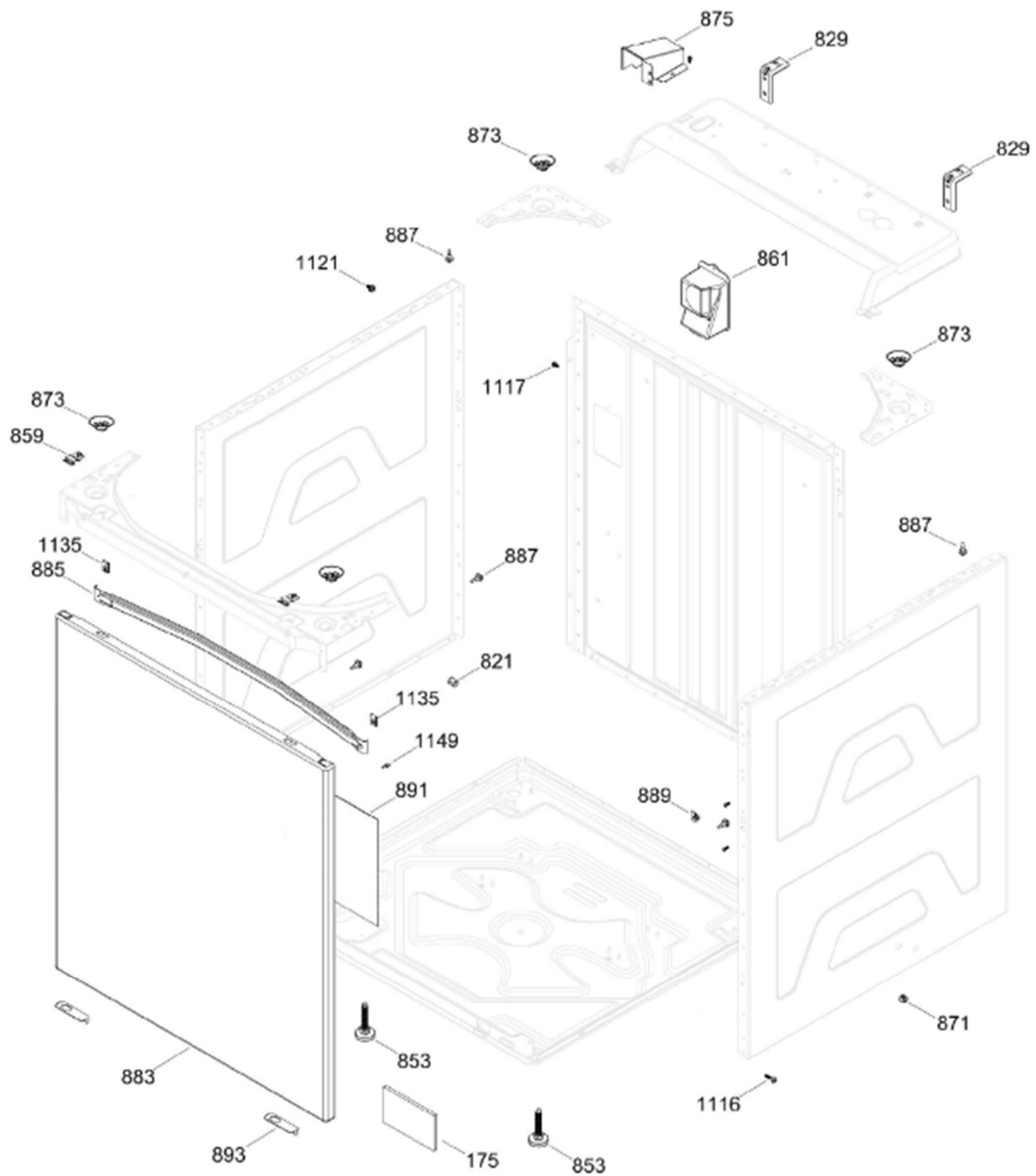
PUERTA SECADORA / DOOR DRYER

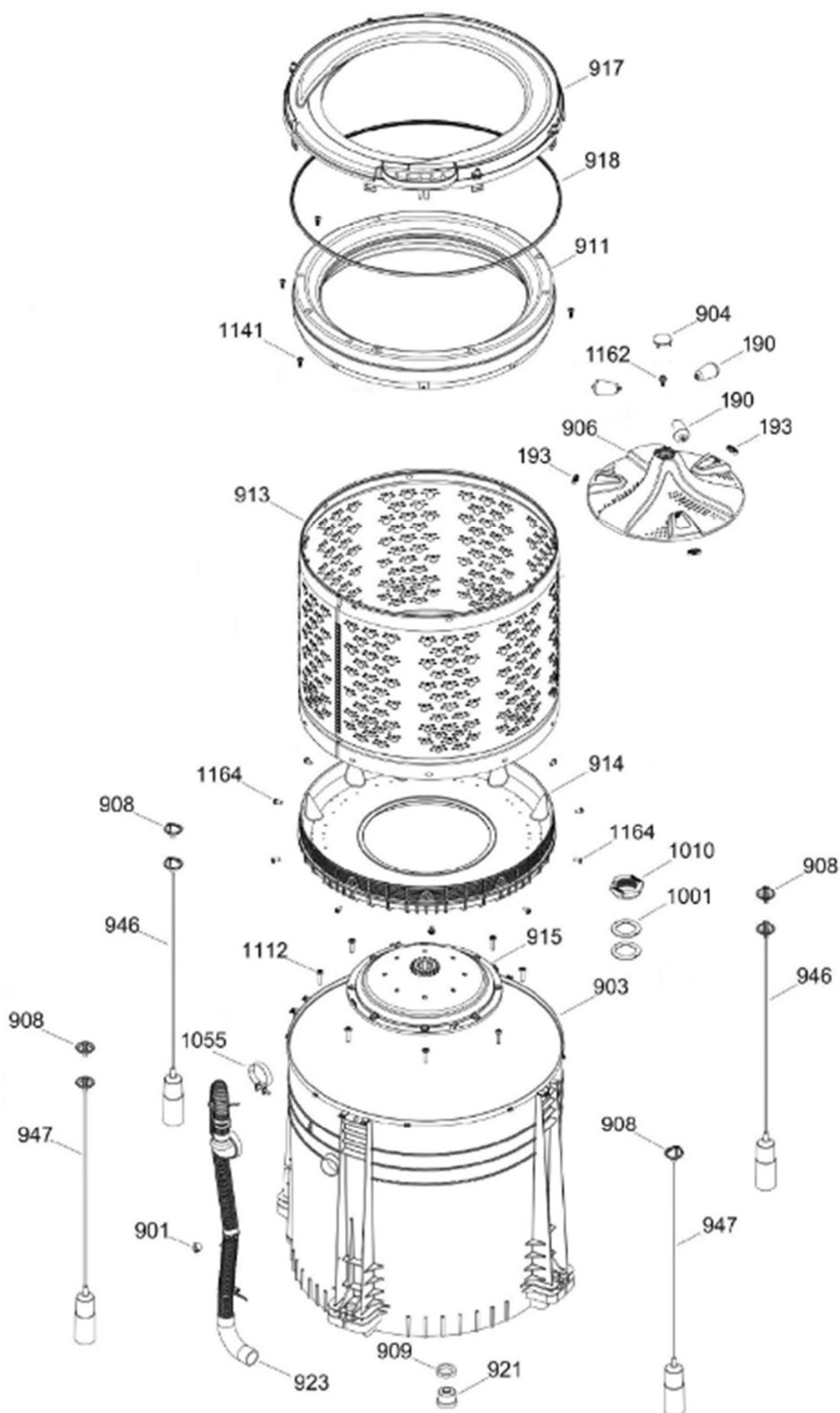
MCL1640PWBB10

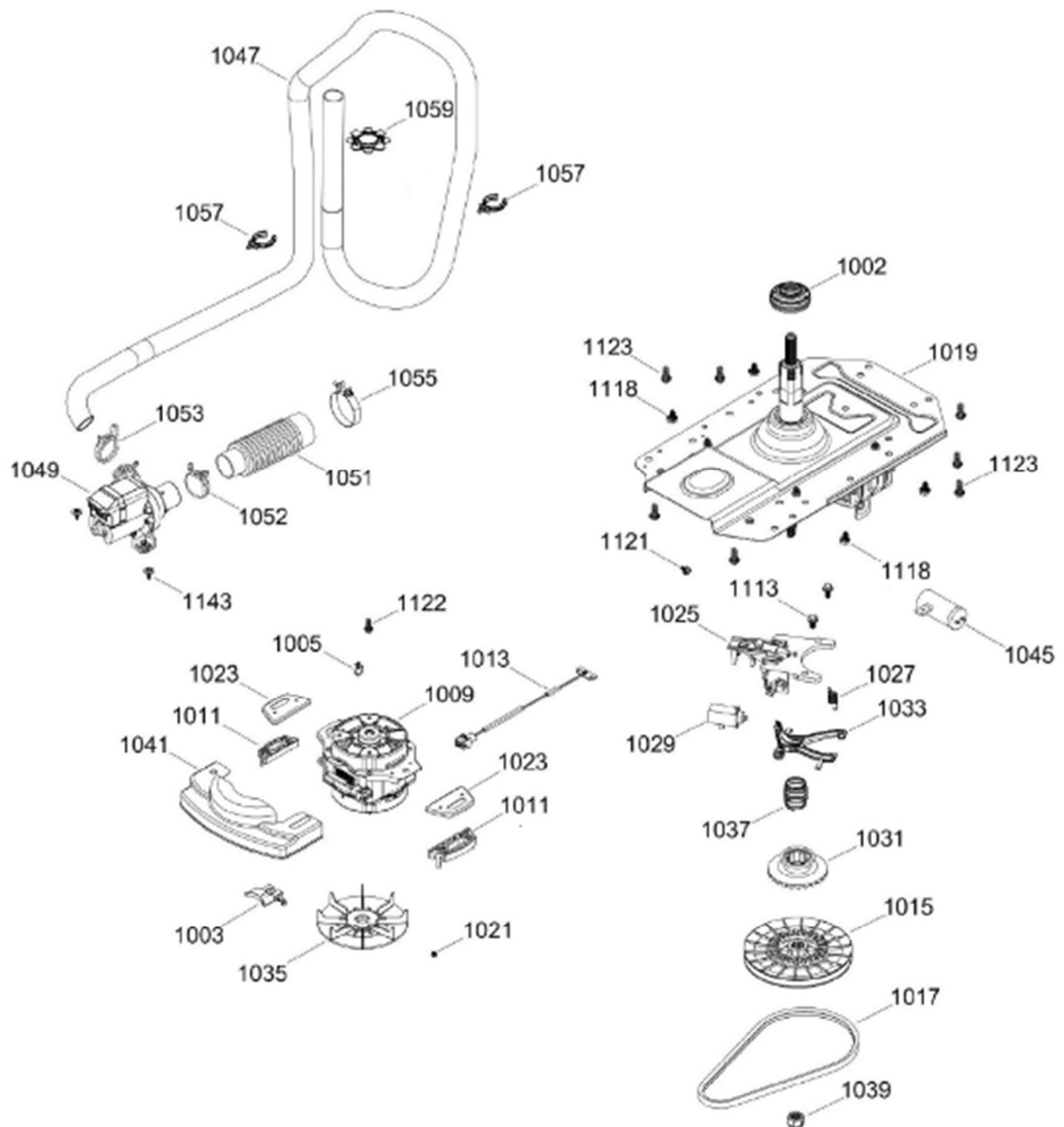












Guía	Refacción	Descripción
3	WW03A00011	BUJE BISAGRA
6	WW03F00029	CORDON TOMACORRIENTE
7	WW03L00042	PERILLA ROTATORIA ENS.
8	WW03L00040	PERILLA CONTROL ENS.
9	WW03A00059	TOPE TAPA
9	WW03A00283	TOPE TAPA
10	WW03F00064	RELOJ
12	WW01F01157	VALVULA CW 47C
15	WW01F01167	ENTRADA DE AGUA ENS
19	WW02L00036	BOTON INICIO ENS.
23	WW02L00024	INTERRUPTOR ARRANQUE
24	WW02F00023	ARNES EXTENS.ION ENS.
25	WW02L00026	MANGUERAS
27	WW01F00251	PRESOSTATO
30	WW01F01168	ARNES PRINCIPAL LAV ENS
33	WW03F00012	ENS. ARNES UI
35	WW03A00054	SOPORTE CONTROLES
35	WW03A00255	SOPORTE CONTROLES
40	WW03L00030	PANEL CONTROL
46	WW01A00113	ABRASADERA MANGUERA
51	WW03F00001	ACTUADOR
54	WW03F00047	SELECTOR PROGRAMA
59	WW03L00255	TAPON PANEL SUPERIOR
63	WW01L01168	PROTECTOR TARJETA
64	WW02F00019	RELEVADOR
65	WW02F00024	ARNES EXT PRINCIPAL
66	WW03A00056	SOPORTE TARJETA
69	WW03F00506	TARJETA DE CONTROL
72	WW01F01504	BOTON SELECTOR
78	WW01F00166	ARNES PRESOSTATO
81	WW03F00011	ARNES SELECTOR
87	WW01F00338	SELECTOR 5 PROGRAMAS
99	WW02A00022	BLOCAPUERTA
105	WW03L00006	BISAGRA CUBIERTA
114	WW03L00015	CUBIERTA LAVADORA
115	WW03A00009	BRACKET
115	WW03A00277	BRACKET



Guía	Refacción	Descripción
117	WW03L00048	TAPA LAVADORA
119	WW02F00784	FELPA
120	WW03L00007	BISAGRA CUBIERTA
143	WW03A00012	CLIP CUBIERTA
145	WW03A00055	SOPORTE RESORTE
149	WW03F00049	MAGNETO
153	WW03A00033	RESORTE CUBIERTA LAVADOR
155	WW03F00031	DESPACHADOR CLORO
155	WW03F00031	DESPACHADOR CLORO
175	WW03L00037	PARCHE IMPACTO
175	WW03L00037	PARCHE IMPACTO
190	WW01F01745	RODILLO ENSAMBLE
193	WW01F01764	ADAPTADOR RODILLO
200	WW03L00031	PANEL FRONTAL DIAMOND GREY
200	WW02A00228	PANEL FRONTAL DIAMOND GREY
201	WW02F00617	FILTRO ATRAPAPELUSA
202	WW03L00044	PUERTA INT.
205	WW03A00211	ESPACIADRO DE PUERTA SOLIDA
207	WW03L00410	PUERTA EXTERIOR
208	WW03L00411	JALADERA PUERTA
210	WW02F00762	COJINETE SUPERIOR
212	WW02L00025	INTERRUPTOR PUERTA
213	WW02F00783	FELPA DUCTO RECOLECTOR
215	WW03A00015	COJINETE DESLIZABLE
216	WW03A00016	COJINETE DESLIZABLE
216	WW02A00250	COJINETE DESLIZABLE
218	WW03F00010	ARNES PUERTA
219	WW03L00047	TAPA DUCTO
220	WW02A00004	STRIKE
231	WW01L01158	SELLO CUBIERTA DUCTO RECOLECTO
237	WW01F01169	DUCTO RECOLECTOR ENS
252	WW03A00117	SELLO
269	WW03L00012	CUBIERTA DUCTO RECOLECTOR
285	WW02L00037	LATCH ASM.
293	WW03F00532	SELLO PUERTA
297	WW02L00028	BISAGRA PUERTA
405	WW03A00254	CLIP PANEL FRONTAL

Guía	Refacción	Descripción
409	WW03A00080	LOGO MABE
422	WW02F00022	CORD SET RETAINER
434	WW03A00042	SELLO DE SALIDA
438	WW03L00029	PANEL DE ACCESO
441	WW01L01171	REFUERZO
447	WW01A00458	TAPA TOMACORRIENTE
500	WW02L00022	TAMBOR ALETAS ENS.
507	WW02F00028	BANDA SECADORA
507	WW02F00854	BANDA SECADORA
513	WW02F00851	ALETA
513	WW02F00851	ALETA
523	WW02F00440	ARNES PRINCIPAL ENSAMBLE
526	WW02F00827	DIFUSOR
530	WW02A00019	ENS. SOPORTE BUJE
537	WW02A00005	RETENEDOR RODAMIENTO
540	WW02F00833	SOPORTE TIERRA ENS
601	WW01F01162	VENTILADOR REDONDO
601	WW02A00011	VENTILADOR REDONDO
602	WW02L00013	CAJA DEL VENTILADOR
602	WW02L00433	CAJA DEL VENTILADOR
603	WW02L00642	BASE MOTOR NV
604	WW02F00027	SOPORTE MOTOR
606	WW02F00780	DUCTO DE ESCAPE
610	WW03F00447	MOTOR POLEA ENSAMBLE
614	WW03F00350	ENSAMBLE BRAZO TENSOR
616	WW03F00023	CAMARA DE COMBUSTION
620	WW02F00031	CLIP MOTOR
622	WW02F00001	DETECTOR TERMOSTATO
625	WW02F00824	DIFUSOR DE GAS
627	WW03F00539	DUCTO DE TRANSICION
628	WW03F00097	PLATO DIFUSOR
628	WW03F00097	PLATO DIFUSOR
632	WW02F00003	CORREA MOTOR
632	WW02A00232	CORREA MOTOR
634	WW02F00785	EMPAQUE ESCAPE VENTILADOR
638	WW02A00003	TAPA
671	WW02A00020	QUEMADORES

Guía	Refacción	Descripción
672	WW02F00740	ENCENDEDOR INCANDESCENTE
672	WW01F01432	ENCENDEDOR INCANDESCENTE
673	WW02A00016	SOPORTE VALVULA DE GAS
674	WW03F00484	ENS. VALVULA Y TUBO GAS LP CL
675	WW03F00087	VALVULA QUEMADOR ENS.
676	WW02F00794	REDUCTOR VENTURI
678	WW03F00485	KIT VALVULA Y TUBO A GAS NAT 27"
707	WW01A00539	TORNILLO
732	WW03A00092	TORNILLO 6-16 B B1Q1 3/4
821	WW01L01164	TAPON DE BOTON
821	WW01L01164	TAPON DE BOTON
829	WW02A00014	SOPORTE DE AJUSTE
853	WW03L00038	PATA NIVELADORA
859	WW03A00013	CLIP CIERRE
861	WW03L00050	TAPA MANGUERA
861	WW03L00463	TAPA MANGUERA
871	WW01L01166	TAPON
873	WW01F01894	ASIENTO ROTULA
875	WW03F00009	CUBIERTA ARNES PRINCIPAL
883	WW03L00032	PANEL FRONTAL BLANCO
885	WW03L00045	REFUERZO PANEL FRONTAL
887	WW03A00028	PERNO ALINEADOR
889	WW01A00445	CLIP DE TIERRA
891	WW02F00025	AISLADOR DE RUIDO
893	WW02L00031	CALZA NIVELADORA
901	WW01A00068	ABRAZADERA MANGUERA
903	WW02L00004	TINA
904	WW01F01765	INFUSOR TAPA
906	WW01F01702	INFUSOR
908	WW01F01680	ROTULA SUPERIOR
909	WW03F00128	GASKET
911	WW01L00017	ARO DE BALANCE ENS
913	WW01L01744	CANASTA
914	WW01F02021	FONDO PLASTICO
915	WW03A00215	FONDO CANASTA
917	WW01L01761	CUBIERTA TINA 10 KG
918	WW01L00467	SELLO CUBIERTA TINA

Guía	Refacción	Descripción
921	WW01F01152	TAPON TUBO PRESOSTATO
923	WW03F00052	MANGUERA
946	WW01F01687	ENSAMBLE SUSPENSION
947	WW01F01688	ENSAMBLE SUSPENSION
1001	WW01A00556	ARANDELA PLANA NUEVA
1002	WW02F00547	SELLO TINA
1003	WW01F01172	SOPORTE TARJETA SENSOR
1005	WW01A00006	CINCHO ESPADA (BOMBA Y ARNES)
1009	WW01F00331	ENS. MOTOR
1009	WW01F01173	ENS. MOTOR
1009	WW03F00534	ENS. MOTOR
1010	WW01A00048	TUERCA AMAZ IZQ.
1011	WW02F00018	ESPACIADOR MOTOR
1013	WW02F00222	TARJETA SENSOR
1015	WW01F00043	POLEA TRANSMISION
1017	WW01F00345	BELT DRIVE
1019	WW03L00381	ENSAMBLE SOPORTES
1021	WW01F00272	OPRESOR POLEA
1023	WW01L00355	REFUERZO MOTOR
1025	WW01A00031	SOPORTE HORQUILLA
1027	WW01A00091	RESORTE HORQUILLA
1029	WW01F00263	TERMOACTUADOR
1031	WW02F00796	EMBRAGUE
1033	WW01A00029	HORQUILLA CAMBIADOR
1035	WW03F00060	POLEA MOTOR ENSAMBLE
1037	WW01A00053	RESORTE CAMBIADOR
1039	WW03A00072	TUERCA POLEA MOTOR
1041	WW02L00020	PROTECTOR TINA
1045	WW01F01945	CAPACITOR PERMANENTE
1047	WW03F00542	MANGUERA DRENADO ENSAMBLE
1049	WW02F00011	BOMBA
1051	WW03F00053	MANGUERA
1052	WW01A00094	ABRAZADERA MANGUERA
1053	WW01A00447	ABRAZADERA
1055	WW03A00002	ABRAZADERA
1057	WW02A00021	CLIP MANGUERA
1059	WW03A00058	TOPE MANGUERA

<b>Guía</b>	<b>Refacción</b>	<b>Descripción</b>
1103	WW02A00032	TORNILLO
1106	WW02A00027	SCREW
1109	WW01A00449	TO 2RNILLO 8-16B FLP .525 S ZN
1112	WW01A00099	TORNILLO FONDO CANASTA
1113	WW01A00082	TORNILLO SOPORTE
1114	WW01A00695	CINCHO
1116	WW03A00103	TORNILLO Y ARANDELA ENS
1117	WW01A00452	TORNILLO
1118	WW02A00024	TORNILLO SOP BALERO-SOP PRINC
1120	WW02A00224	TORNILLO Y ARANDELA ENSAMBLE
1121	WW01A00001	TORNILLO
1122	WW01A00076	TORNILLO SUJECION
1123	WW01A00084	TORNILLO
1127	WW02A00031	TORNILLO
1128	WW02A00211	TORNILLO ESTANDARIZANTE
1131	WW02A00028	TORNILLO
1132	WW02L00033	ESPACIADOR ESPUMADO
1135	WW03A00073	TUERCA RAPIDA
1141	WW01A00063	TORNILLO
1143	WW01A00453	TORNILLO SUJECION BOMBA
1147	WW01A00439	TORNILLO 6-32 MCH FLP 340 SS
1149	WW03A00070	TORNILLO TIERRA
1151	WW03A00063	TORNILLO
1155	WW01F01896	TORNILLO
1157	WW01A00456	TORNILLO #10
1162	WW01A00064	TORNILLO
1164	WW01A00089	TORNILLO
1356	WS01A00000	KIT BÁSICO DE CONEXIÓN DE GAS