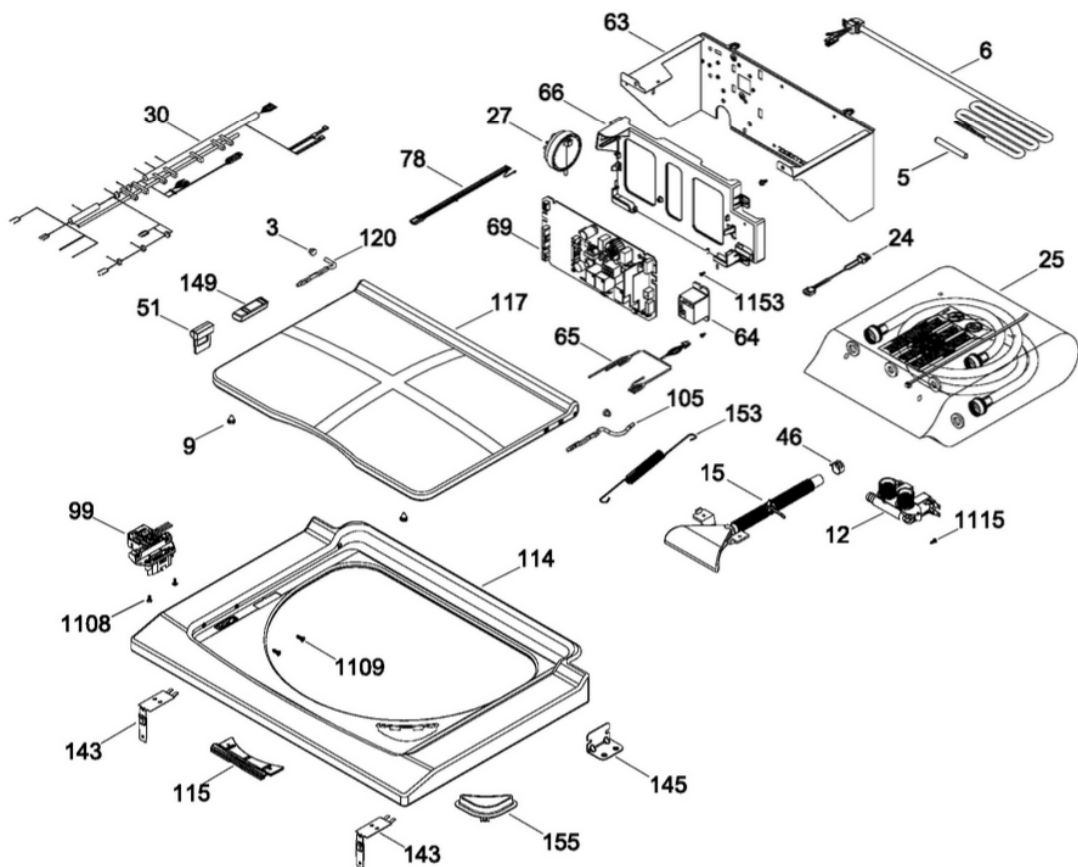
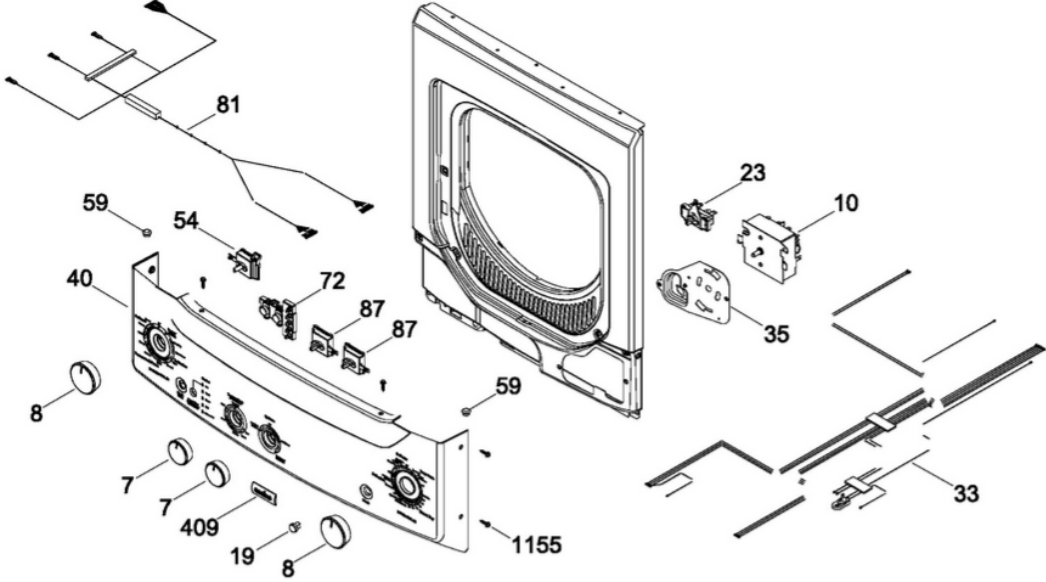
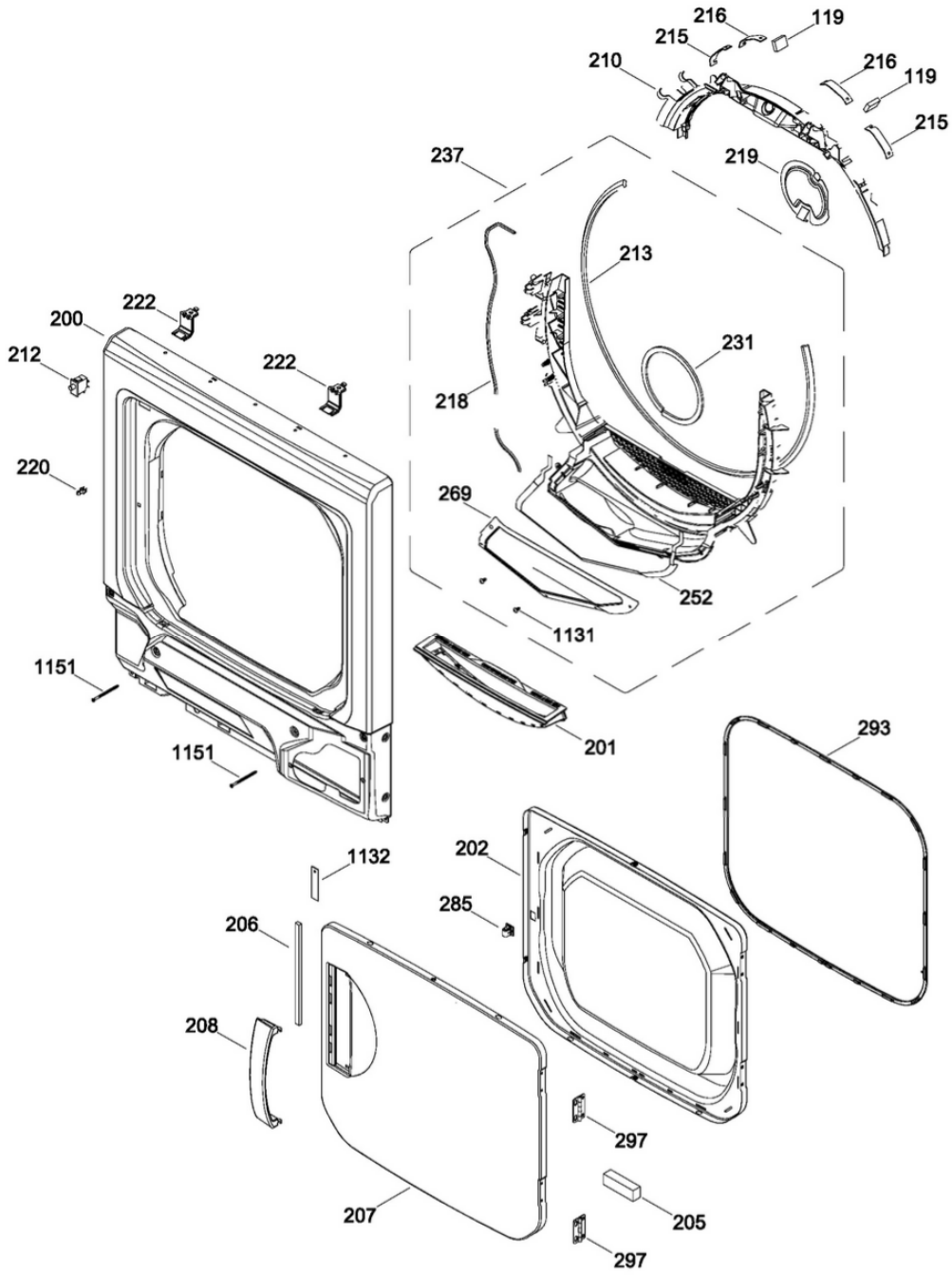


CENTRO DE LAVADO MCL1740ESBB02



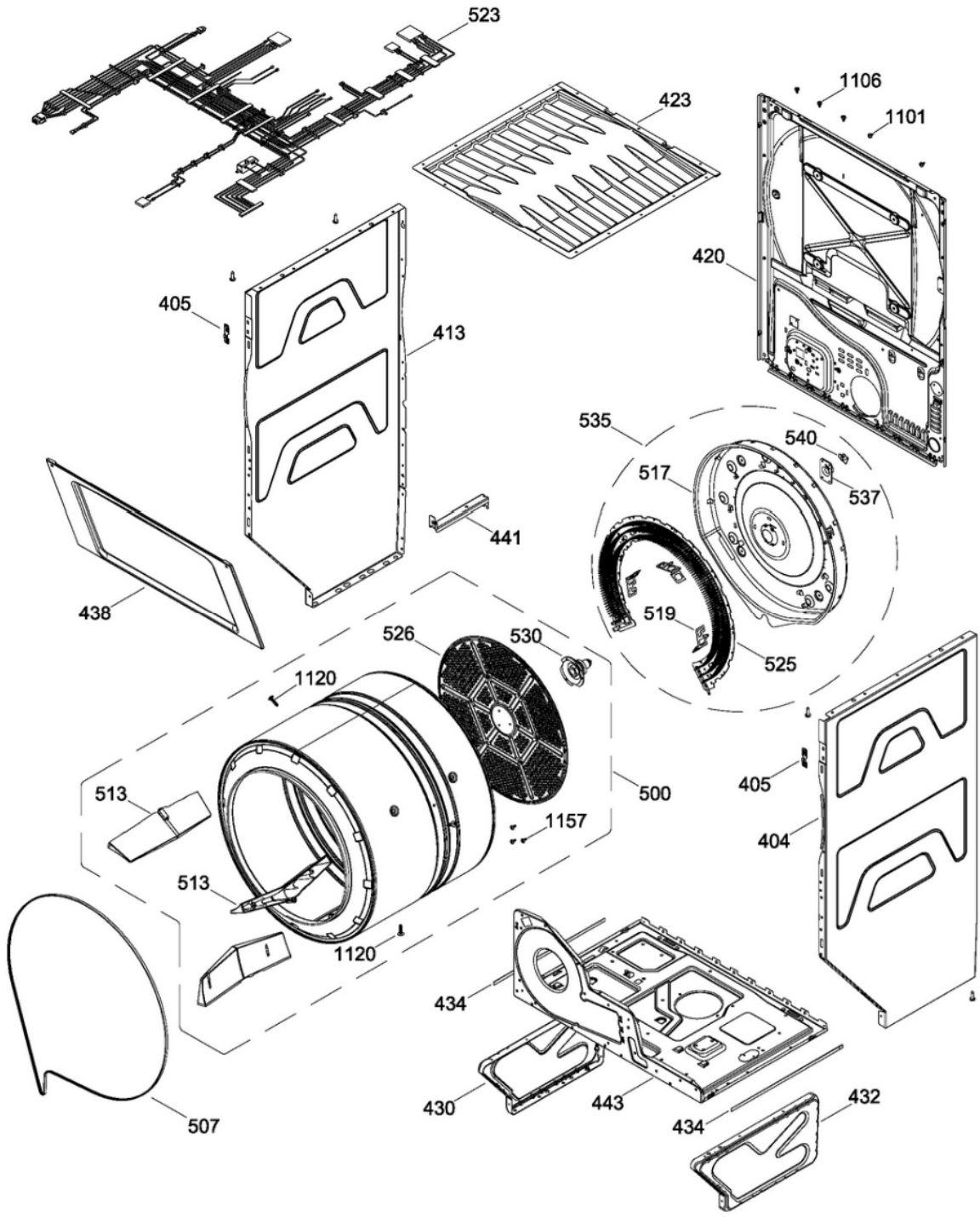


CENTRO DE LAVADO MCL1740ESBB02

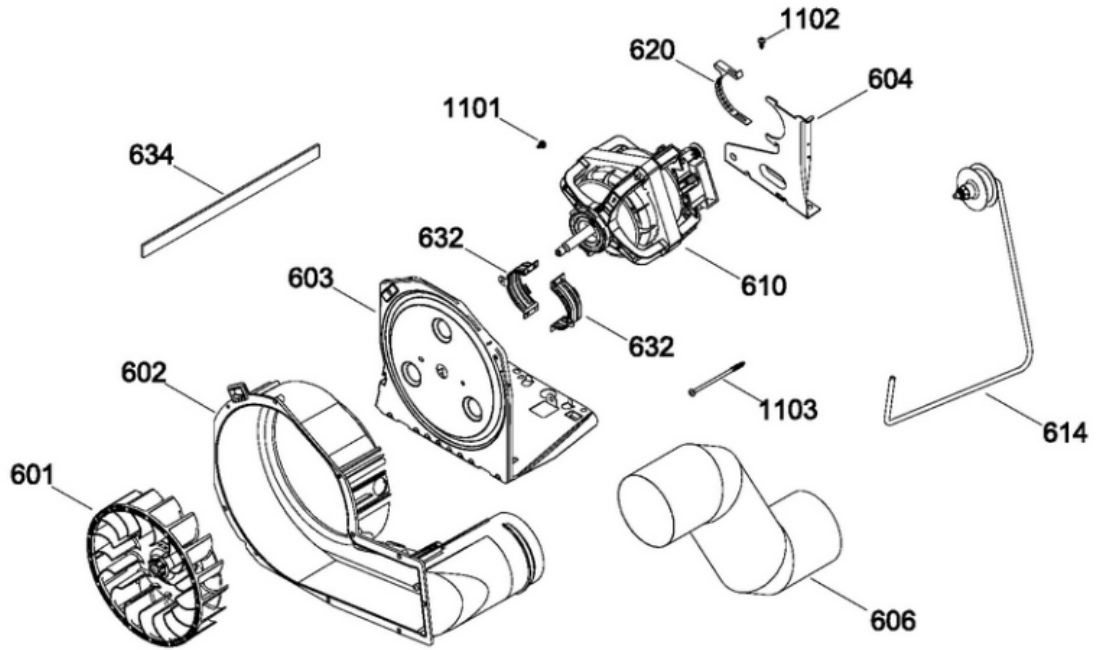




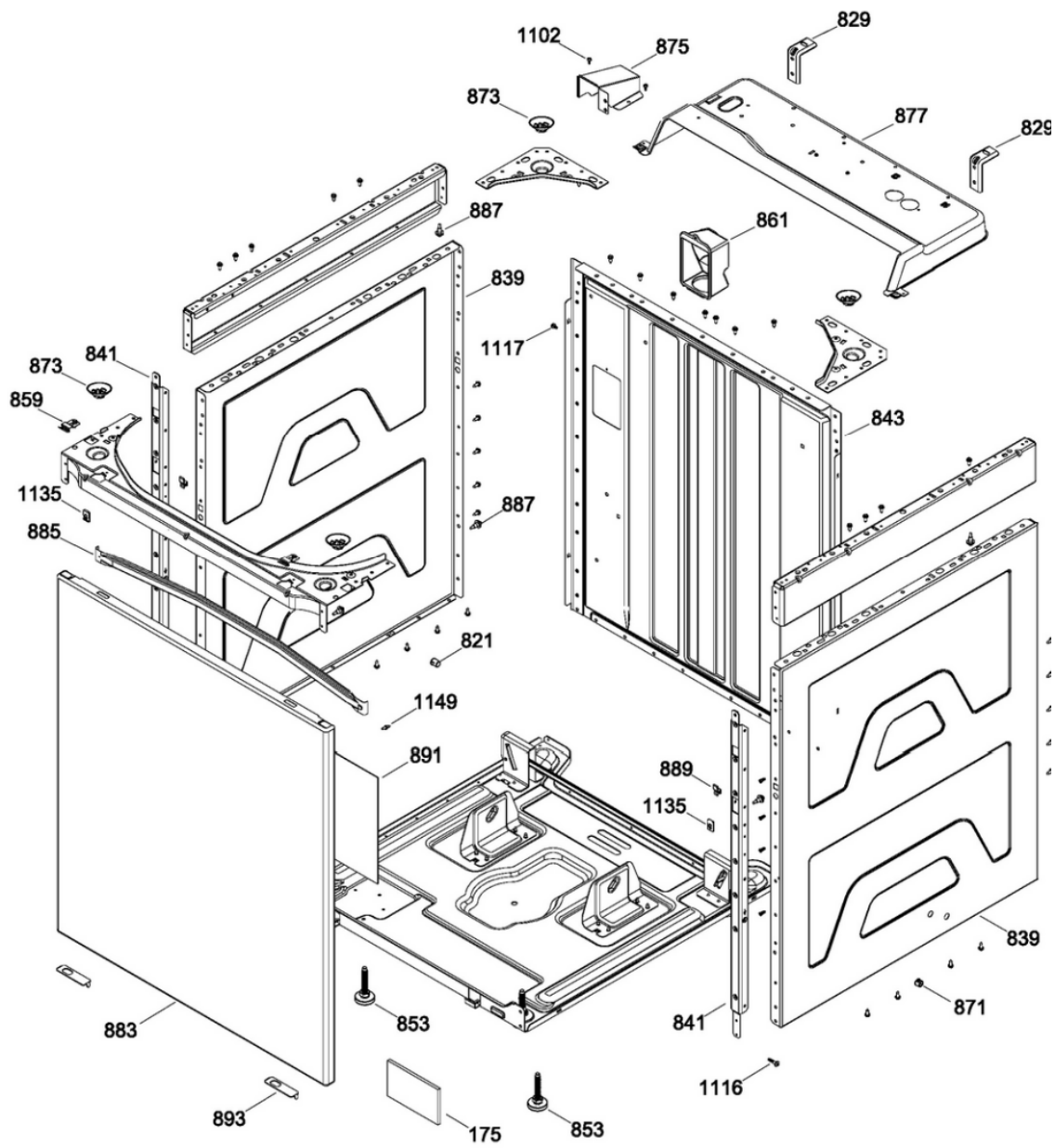
CENTRO DE LAVADO MCL1740ESBB02



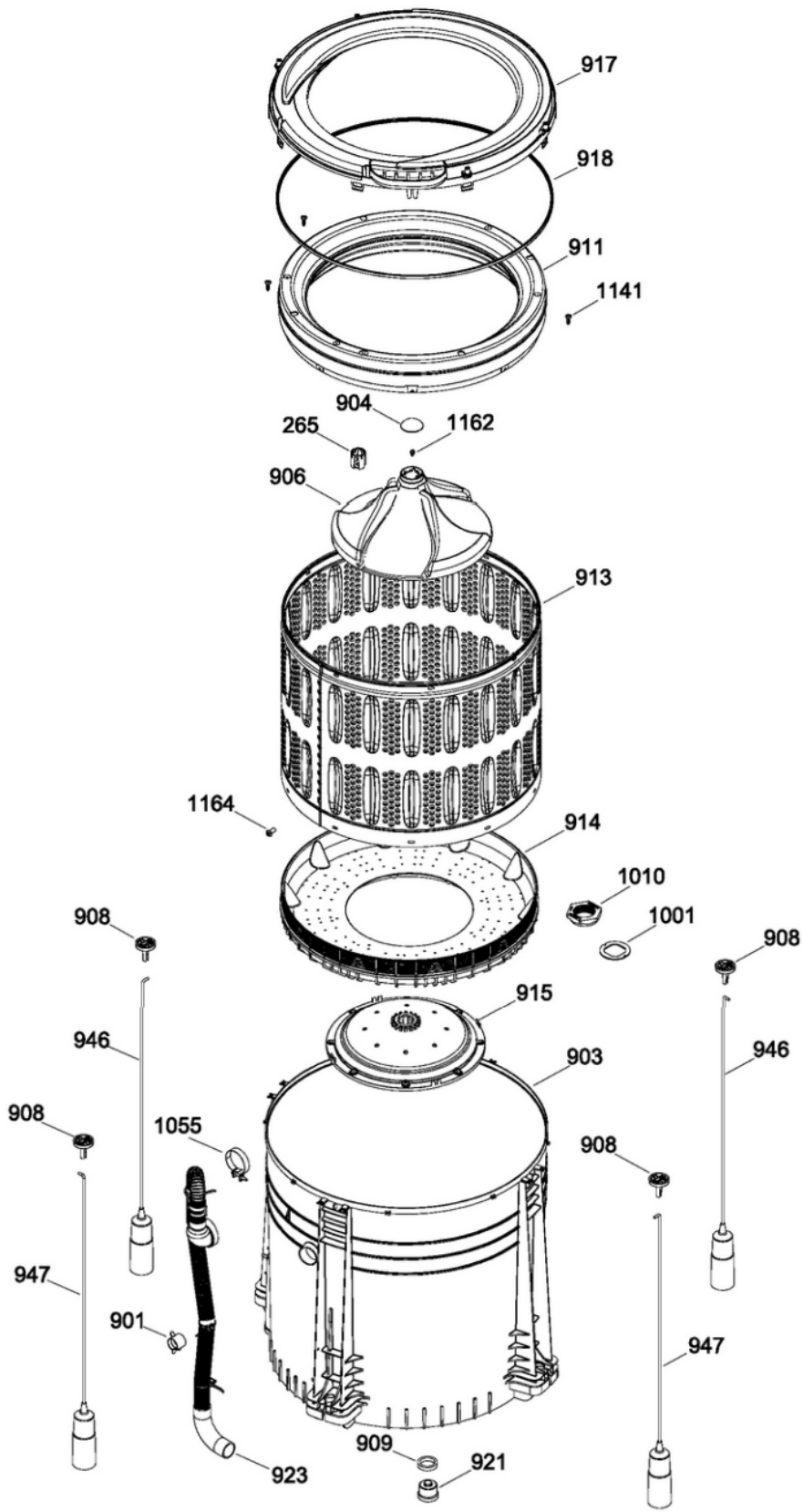
CENTRO DE LAVADO MCL1740ESBB02



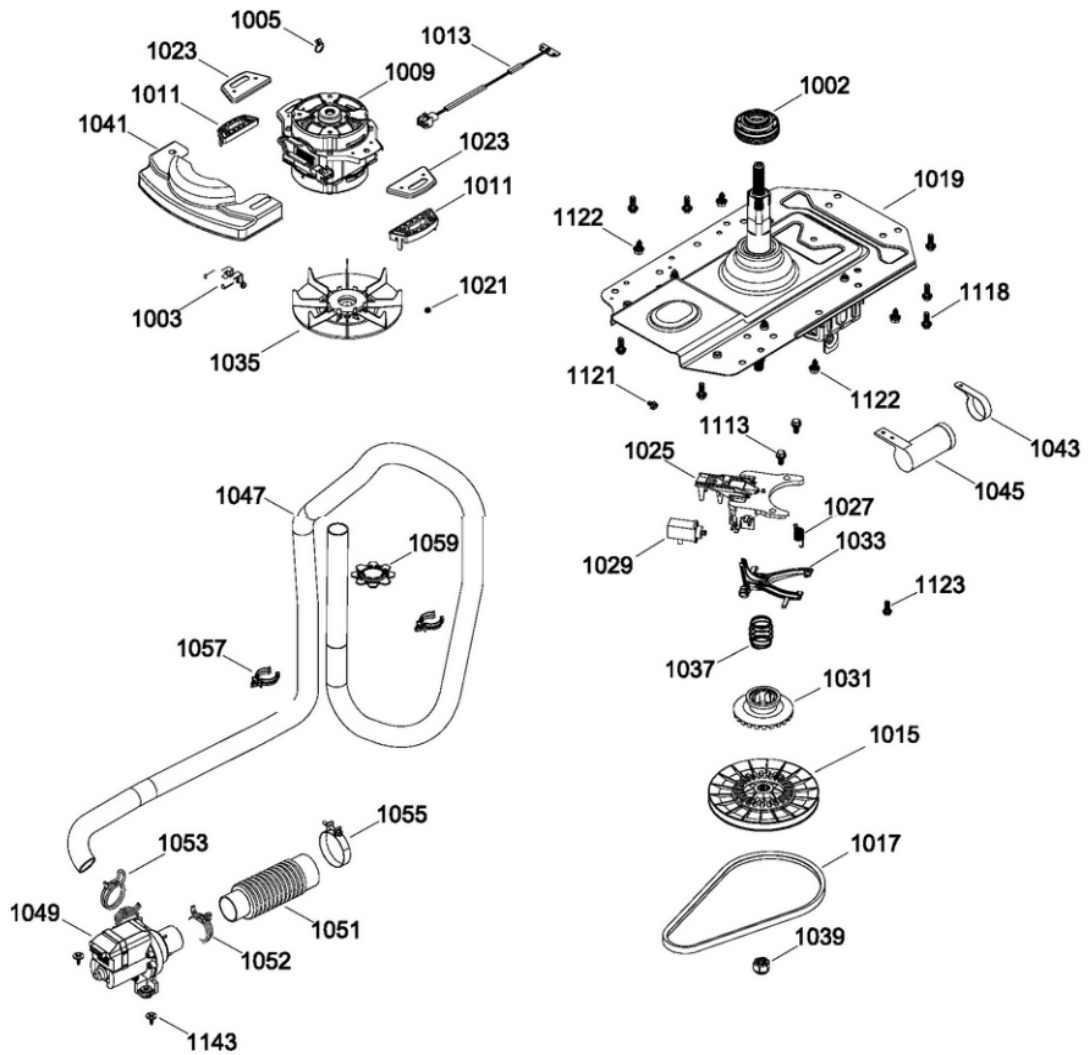
CENTRO DE LAVADO MCL1740ESBB02



CENTRO DE LAVADO MCL1740ESBB02



CENTRO DE LAVADO MCL1740ESBB02





CENTRO DE LAVADO MCL1740ESBB02

Guía	Componente	Descripción
3	277B1069P001	BUJE BISAGRA
5	278B1158P001	CAPUCHON TOMACORRIENTE
6	248C1014G002	CORDON TOMACORRIENTE
7	323B2342G026	PERILLA ROTATORIA BLANCA ARO C
8	323B2343G012	ENS. PERILLA CONTROL
9	277B1079P001	TOPE TAPA
10	234D1296P017	RELOJ
12	189D5366P003	VALVULA CW 47C
15	228C2478G006	ENTRADA DE AGUA ENS
19	323B4097G003	BOTON INICIO ENS.
23	248C1146P001	INTERRUPTOR ARRANQUE
24	277B1083G002	ARNES EXTENS.ION ENS.
25	253C1035G002	MANGUERAS
27	228C2084P003	PRESOSTATO
30	233D1472G002	ARNES PRINCIPAL LAV ENS
33	189D7182G002	ARNES UI ENS
35	228C2436P001	SOPORTE CONTROLES
40	234D1181G003F	PANEL CONTROL Y GRAFICOS ENS
46	277B1146P002	ABRAZADERA MANGUERA
51	228C2424P001	ACTUADOR
54	228C1256G006	SELECTOR PROGRAMA
59	278B1494P001	TAPON PANEL SUPERIOR
63	233D1720P001T	PROTECTOR DE TARJETA
64	253C1102P001	RELEVADOR
65	277B1154G001	ARNES EXT PRINCIPAL
66	253C1097P001	SOPORTE TARJETA
69	233D1496G004	TARJETA DE CONTROL
72	189D2761G025	BOTON SELECTOR
78	189D3652G002	ARNES PRESOSTATO
81	233D1460G001	ARNES SELECTOR
87	228C1256G002	SELECTOR 5 PROGRAMAS
99	253C1098P001	BLOCAPUERTA
105	228C2425P001	BISAGRA CUBIERTA
114	189D5272P002P	CUBIERTA LAVADORA
115	233D1537P001	BRACKET
117	189D5276P005	TAPA LAVADORA



CENTRO DE LAVADO MCL1740ESBB02

Guía	Componente	Descripción
119	364B7118P002	FIELTRO
120	228C2425P002	BISAGRA CUBIERTA
143	228C2470P001	CLIP CUBIERTA
145	253C1047P001	SOPORTE RESORTE
149	253C1064P001	MAGNETO
153	323B2598P001	RESORTE CUBIERTA LAVADOR
155	233D1264P001	DESPACHADOR CLORO
175	323B2646P001	PARCHE IMPACTO
200	189D7082P002P	PANEL FRONTAL
201	234D1031P001	FILTRO
202	189D7120P002P	PUERTA INTERIOR
205	323B4001P005	ESPACIADRO DE PUERTA SOLIDA
206	323B4048P001	SELLO DUCTO RECOLECTOR
207	189D7118P002P	PUERTA EXTERIOR (BLANCO)
208	228C2419P001	JALADERA PUERTA(BCO)
210	234D1978G003	ENS. COJINETE SUPERIOR
212	248C1157P001	INTERRUPTOR PUERTA
213	323B4099P002	FIELTRO DUCTO RECOLECTOR
215	278B1139P001	COJINETE DESLIZABLE
216	278B1139P002	COJINETE DESLIZABLE
218	189D7183G002	ARNES PUERTA
219	228C4009P001T	TAPA DUCTO
220	143B9304P001	STRIKE
222	323B4044P001	SOPORTE TOP BEARING
231	323B4047P001	SELLO DE SALIDA
237	189D7071G001	DUCTO RECOLECTOR ENS
252	323B4049P001	SELLO CUBIERTA DUCTO RECOLECTO
265	277B1152P002	INSERTO INFUSOR PARA TORNILLO
269	234D1022P001	CUBIERTA DUCTO RECOLECTOR
285	364B6004G001	LATCH ASM.
293	189D7140P001	SELLO PUERTA
297	254C1041P001	BISAGRA PUERTA
404	189D7067P004P	PANEL LATERAL DERECHO (BLANCO)
405	323B4094P001	CLIP PANEL FRONTAL
409	277B1244P001	LOGO MABE



CENTRO DE LAVADO MCL1740ESBB02

Guía	Componente	Descripción
413	189D7068P004P	PANEL LATERAL IZQUIERDO (BLANCO)
420	234D1514P002	PANEL POSTERIOR
423	189D7069P004F	PANEL SUPERIOR
430	189D7137P002	SOPORTE BASE CHASIS
432	189D7137P001	SOPORTE BASE CHASIS
434	323B4047P002	SELLO DE SALIDA
438	189D5246P002P	PANEL DE ACCESO
441	323B4098P002	REFUERZO
443	189D7080P002F	CHASSIS BAE MAQUILA
500	234D1004G002	TAMBOR ALETAS ENS.
507	559C197P005	BANDA SECADORA
513	189D7127P001	ALETA
517	234D1003P001VS	CUBIERTA CALENTADOR
519	364B7003P002	SOPORTE DE PROTECCION
523	234D1278G004	ARNES PRINCIPAL ENS
525	234D1030P002	CALENTADOR ENS.
526	233D1581P001T	DIFUSOR
530	248C1156G001F	SOPORTEYFLECHAENSAMBLE
535	189D7110G010	CALENTADOR CUBIERTA ENS.
537	161B3251P004	RETENEDOR RODAMIENTO
540	278B1309G001F	GROUND STRAP ASSEMBLY
601	234D1593P001F	VENTILADORREDONDO
602	212D1503P006	CAJA DEL VENTILADOR
603	234D1526P001T	BASE MOTOR
604	559C001P006	SOPORTE MOTOR
606	189D7078P001	DUCTO ESCAPE
610	234D2341G001	ENS MOTOR Y POLEA
614	189D7031G001	ENS. BRAZO AUXILIAR
620	717B299P001	CLIP MOTOR
632	123C7934P001	CORREA MOTOR
634	364B7029P001	EMPAQUE ESCAPE SOPLADOR
821	228C2484P001	TAPON DE BOTON
829	228C2407P001	SOPORTE DE AJUSTE
839	189D5584P002P	PANEL LATERAL(BLANCO) LAVADORA
841	189D5587P001	REFUERZO LATERAL FRONTAL
843	189D5585P002	PANEL POSTERIOR LAVADORA



CENTRO DE LAVADO MCL1740ESBB02

Guía	Componente	Descripción
853	277B1066P001	PATA NIVELADORA
859	228C2465P001	CLIP CIERRE
861	323B2659P002	TAPA MANGUERA
871	253C1049P001	TAPON
873	277B1050P001	BASE ROTULA
875	254C1000P001	CUBIERTA ARNES PRINCIPAL
877	189D5119P004	SUPPORT WATER INLET 27
883	189D5590P002P	PANEL FRONTAL
885	228C2427P001	REFUERZO PANEL FRONTAL
887	228C2466P001	PERNO ALINEADOR
889	228C2467P001	CLIP DE TIERRA
891	323B2658P001	AISLANTE DE RUIDO
893	277B1080P001	CALZA NIVELADORA
901	323B1408P001	ABRAZADERA MANGUERA
903	189D2668P004	TINA
904	228C2443P002	TAPA PROPELA
906	233D1179P004	INFUSOR
908	228C2372P001	ROTULA
909	277B1272P001	GASKET
911	189D1111G005	ARO DE BALANCE ENS
913	189D3561P008	CANASTA ACERO INOXIDABLE
914	189D3562P002F	FONDO PLASTICO
915	189D3971P002	FONDO CANASTA
917	189D1087P002	CUBIERTA TINA 10 KG
918	228C1177P002	SELLO TINA
921	228C2217P001F	TAPON TUBO PRESOSTATO
923	233D1376P001	MANGUERA
946	189D3916G023	VARILLA ENSAMBLE
947	189D3916G024	VARILLA ENSAMBLE
1001	323B2127P002	ARANDELA PLANA NUEVA
1002	228C2451P001	SELLO TINA
1003	253C1058P001	SOPORTE TARJETA SENSOR
1005	143B9478P001	CINCHO ESPADA (BOMBA Y ARNES)
1009	189D4153P002	ENS. MOTOR
1010	228C2160P001	TUERCA AMAZ IZO.
1011	253C1092P001	ESPACIADOR MOTOR



CENTRO DE LAVADO MCL1740ESBB02

Guía	Componente	Descripción
1013	253C1142P001	TARJETA SENSOR
1015	189D2652P001	POLEA TRANSMISION
1017	228C2115P003	BANDA UNIFICADA
1019	189D5234G008	ENSAMBLE SOPORTES
1021	323B1279P002	OPRESOR POLEA
1023	323B2167P001	REFUERZO MOTOR
1025	189D3938P001	SOPORTE HORQUILLA
1027	323B2560P001	RESORTE HORQUILLA
1029	228C2329P001	TERMOACTUADOR
1031	189D2010P001	CAMBIADOR
1033	189D3937P001	HORQUILLA CAMBIADOR
1035	189D2645G012L	POLEA MOTOR ENSAMBLE
1037	228C2367P001	RESORTE CAMBIADOR
1039	323B2610P001	TUERCA POLEA MOTOR
1041	233D1088P001	PROTECTOR TINA
1043	228C1155P004	CLIP CAPACITOR
1045	228C1259P001	CAPACITOR
1047	228C2378G001	MANGUERA
1049	228C2389P001	BOMBA
1051	228C2474P001	MANGUERA
1052	323B2665P002	ABRAZADERA
1053	323B2665P001	ABRAZADERA
1055	277B1026P001	ABRAZADERA
1057	253C1054P001	CLIP MANGUERA
1059	253C1073P001	TOPE MANGUERA
1101	540B006P020	TORNILLO
1102	540B006P001	TORNILLO
1103	540B006P046	TORNILLO
1106	540B004P002	SCREW
1108	323B2666P001	TORNILLO
1109	277B1126P001	TO 2RNILLO 8-16B FLP .525 S ZN
1113	323B2148P001	TORNILLO SOPORTE
1115	278B1126P001	TORNILLO 8-18 AB 1/2
1116	253C1147G001	TORNILLO Y ARANDELA ENS
1117	277B1076P001	TORNILLO
1118	323B2094P002	TORNILLO SOP BALERO-SOP PRINC



CENTRO DE LAVADO MCL1740ESBB02

Guía	Componente	Descripción
1120	540B006P033	TORNILLO
1121	109B3403P052	TORNILLO
1122	323B2094P001	TORNILLO SUJECION
1123	323B2190P002	TORNILLO
1131	540B004P062	TORNILLO
1132	323B2599P001	ESPACIADOR ESPUMADO
1135	278B1175P001	TUERCA RAPIDA
1141	323B1193P001	TORNILLO
1143	277B1040P001	TORNILLO SUJECION BOMBA
1149	323B2660P001	TORNILLO TIERRA
1151	278B1094P001	TORNILLO
1153	323B2264P004	TORNILLO 30 X 20 IA PP
1155	323B4046P001	TORNILLO
1157	540B006P031	TORNILLO #10
1162	323B1346P001	TORNILLO C/GROMET COPLE
1164	323B2433P001	TORNILLO