

# REFRIGERADOR MD5520L00

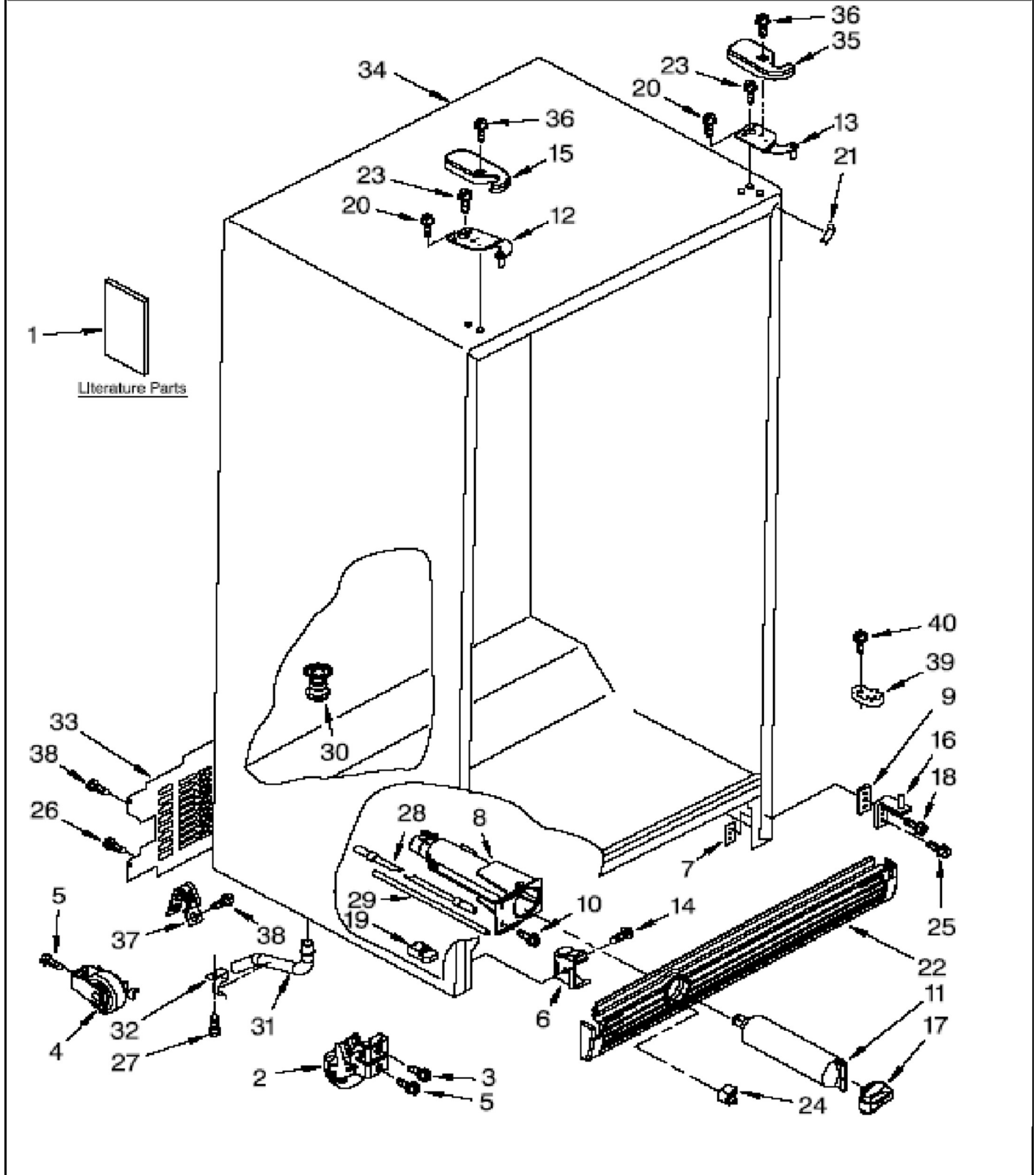
Capacidad

25 pies

Color

Satina Monocromatico

## Gabinete



# REFRIGERADOR MD5520L00

Marca		Maytag	
Capacidad		25 pies	
Color		Satina Monocromatico	
Gabinete			
R e f	Descripción	C a n t	Numero de Parte
1	Literature Parts	**	***
2	Front Roller	2	2174748
3	Screw	**	***
4	Roller (Rear)	2	2196236
5	Screw	**	***
6	Clip Grille	1	2155013
7	Plate Screw	1	2304249
8	Housing water filter	1	W10121138
9	Shim	2	2209697
10	Screw	**	***
11	Water Filter	1	W10121146
12	Hinge Top FC	1	2203770
13	Hinge Top RC	1	2203771
14	Screw	**	***
15	Hinge cover FC	1	2203407B
16	Hinge bottom	2	2217075
17	Cap water	1	2260502B
18	Screw	**	***
19	Block housing support	1	2260519
20	Screw	**	***
21	Filler wrapper	1	2201017
22	Grille	1	2260500B
23	Screw	**	***
24	Button water filter	1	2260503B
25	Screw	**	***
26	Screw	**	***
27	Screw	**	***
28	Tube filter inlet	1	2319867
29	Tube filter outlet	1	2255012
30	Drain fitting	1	2304888
31	extension tube	1	W10153550
32	Clip drain tube	**	***
33	Cover unit	1	2188741
34	Cabinet (not servicable)	**	***
35	Hinge cover RC	1	2203408B
36	Screw	**	***
37	Clamp service corp	1	489348
38	Screw	**	***
39	Door closer lower cam	2	2155311
40	Screw	**	***

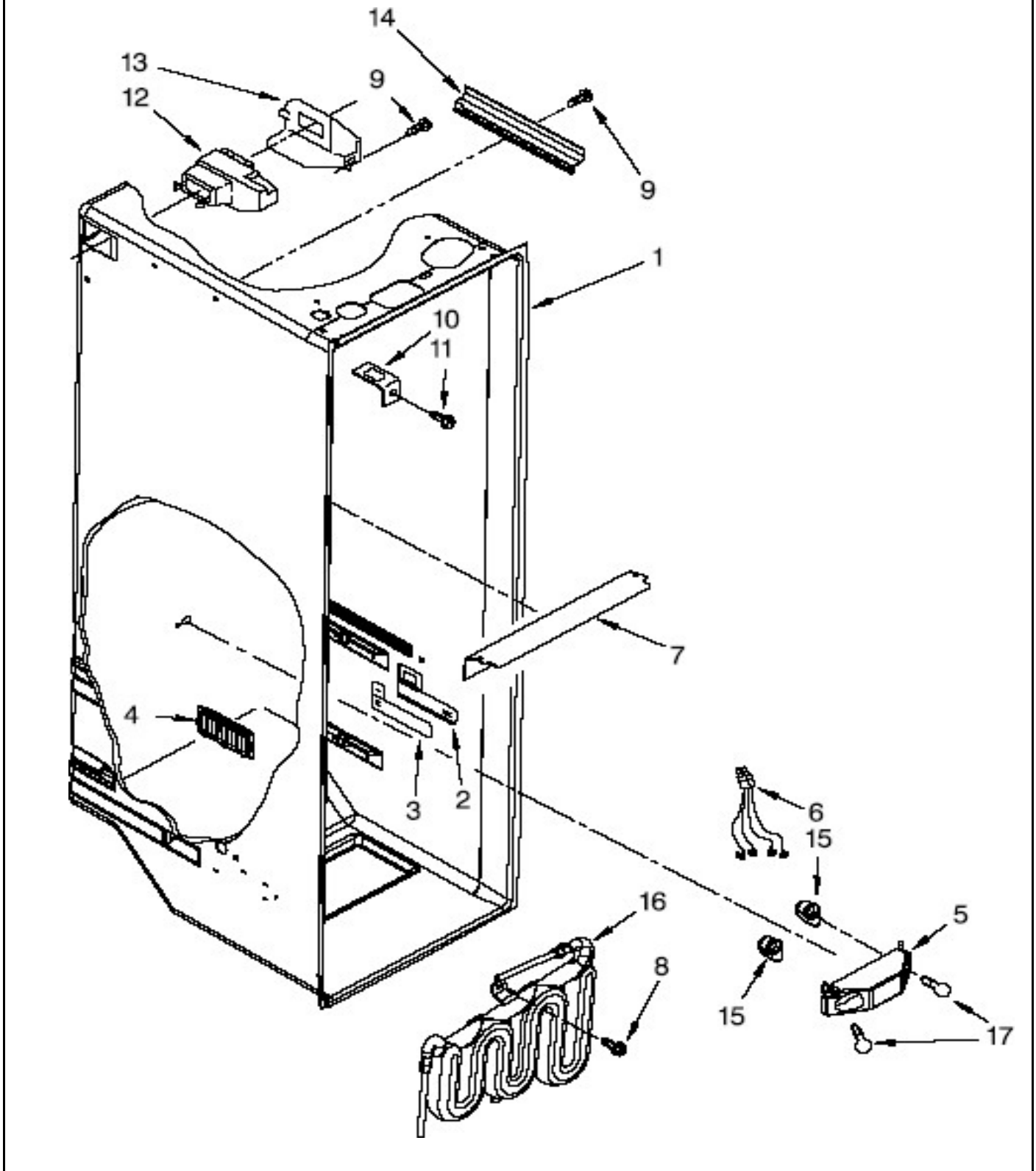
# REFRIGERADOR MD5520L00

idad  
or

25 pies

Satina Monocromatico

## Partes del Liner Refrigerador



# REFRIGERADOR MD5520L00

<b>Marca</b>		<b>Maytag</b>	
<b>Capacidad</b>		<b>25 pies</b>	
<b>Color</b>		<b>Satina Monocromatico</b>	
<b>Partes del Liner Refrigerador</b>			
<b>R e f</b>	<b>Descripción</b>	<b>C a n t</b>	<b>Numero de Parte</b>
1	Liner (not a servicable part)	**	***
2	Escutcheon, Meat Pan Control	1	W10175967
3	Slide Meat Pan Control	1	2182757
4	Louver	1	2257741
5	Bracket Dual Crisper Light	1	2256035
6	Wire Harness, Dual Crisper	1	2311637
7	Light Lens	1	2209769
8	Screw	**	***
9	Screw	**	***
10	Bracket Retainer	2	2256085
11	Screw	**	***
12	Air Diffuser Assembly	1	2209754
13	Air Diffuser Cover	1	2152019
14	Cover, Wiring	1	2150331
15	Socket	1	2162085
16	Reservoir	1	W10204356
17	Light Bulb	1	527949

# REFRIGERADOR MD5520L00

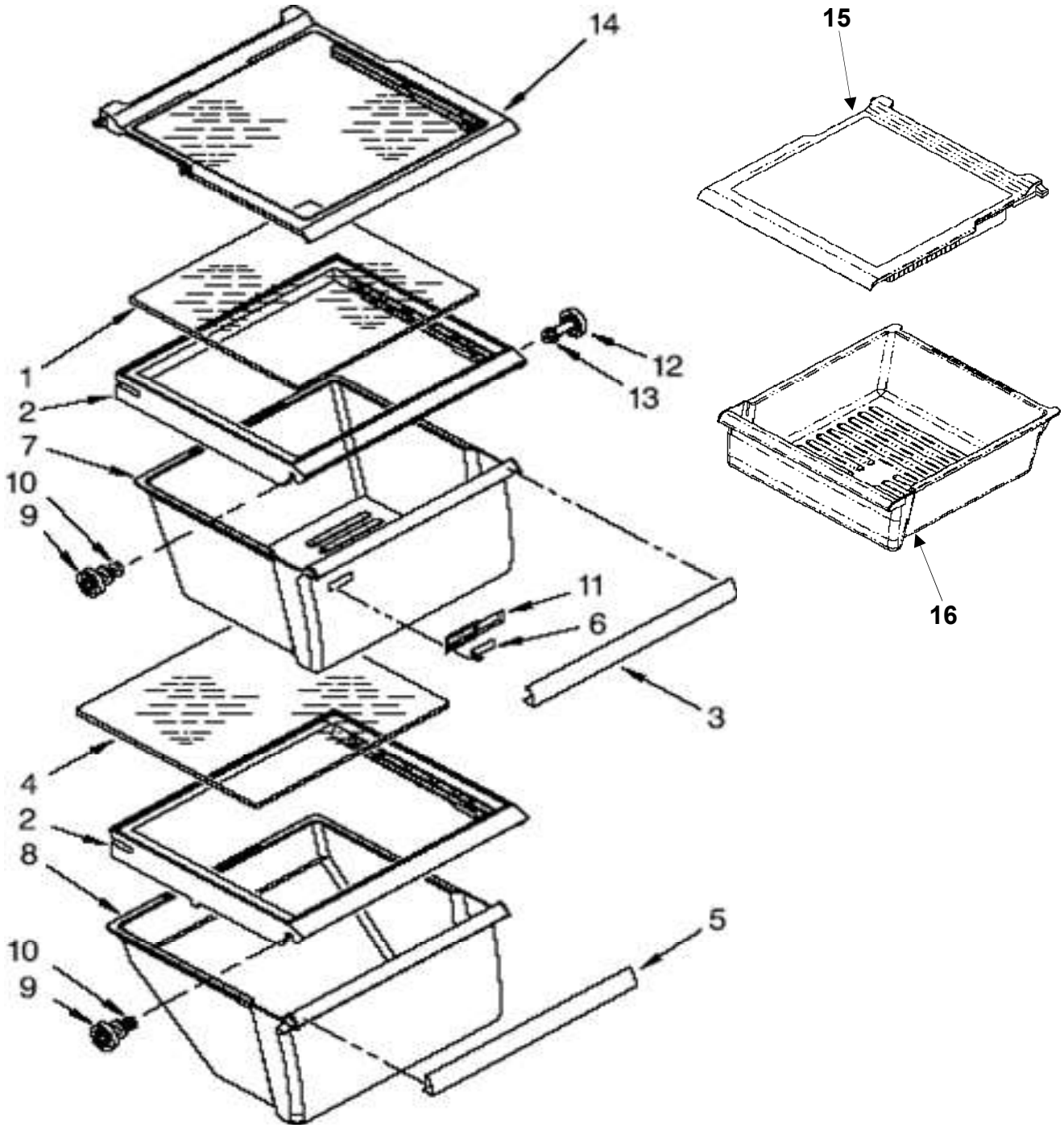
idad

25 pies

or

Satina Monocromatico

## Parrillas y Cajones



# REFRIGERADOR MD5520L00

<b>Marca</b>		<b>Maytag</b>	
<b>Capacidad</b>		<b>25 pies</b>	
<b>Color</b>		<b>Satina Monocromatico</b>	
<b>Parrillas y Cajones</b>			
<b>R e f</b>	<b>Descripción</b>	<b>C a n t</b>	<b>Numero de Parte</b>
1	Glass, cover	1	2179259
2	Cover, crisper	1	2209698
3	Trim,pan	1	2255593
4	Glass, cover	1	2179259
5	Trim, meat pan	1	2255592
6	Slide, Humidity control	1	2179342
7	Crisper pan	1	2188656
8	Meat pan	1	2188724
9	Stud assembly	1	2196485
10	Screw	**	***
11	Body, humidity control	1	2179343
12	Stud assembly	1	2196483
13	Screw	**	***
14	SHELF ASSY-RC,S/G,S/O,22/25	2	2309524
15	SHELF ASSY-RC,PAN,22/25	1	2309560
16	Pan Assy Snack	1	2309517



# REFRIGERADOR MD5520L00

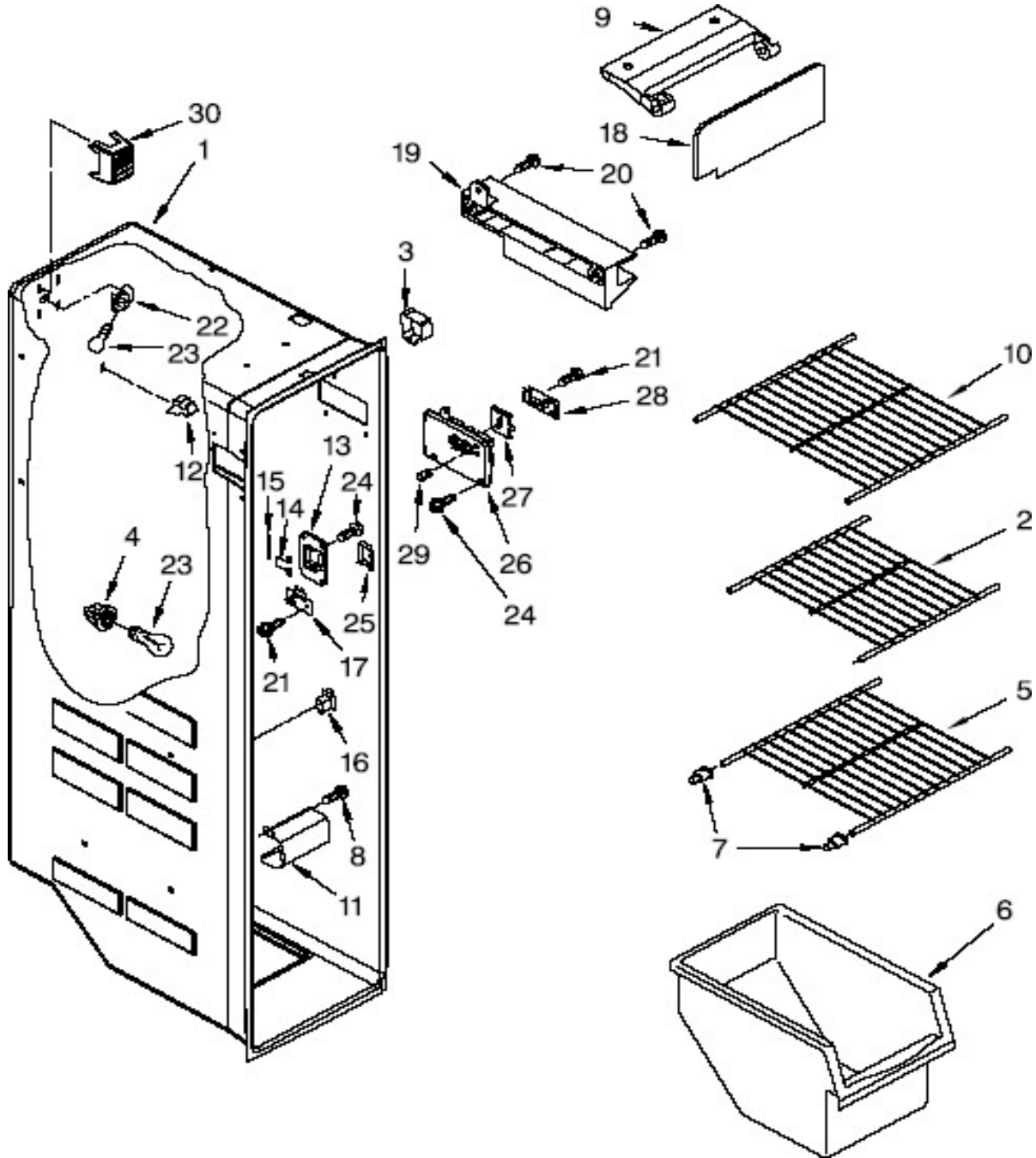
idad

25 pies

or

Satina Monocromatico

## Partes de Liner Congelador



# REFRIGERADOR MD5520L00

<b>Marca</b>		<b>Maytag</b>	
<b>Capacidad</b>		<b>25 pies</b>	
<b>Color</b>		<b>Satina Monocromatico</b>	
<b>Partes de Liner Congelador</b>			
<b>R e f</b>	<b>Descripción</b>	<b>C a n t</b>	<b>Numero de Parte</b>
1	Liner (Not A Seviceable Part)	**	***
2	Shelf Upper	1	2312041
3	Shield Wiring	1	2303234
4	Socket, Light	1	2155597
5	Shelf	1	2309597
6	Freezer Bin	1	2309757
7	Cup, Shelf	16	W10130299
8	Screw	**	***
9	Bracket, Ice Maker Cover	1	2198641
10	Shelf	2	2309596
11	Light Lens	1	2212340
12	Clip, Air Duct	2	842534
13	Cover, Emitter	1	2198587
14	Spring	1	2198635
15	Pin	1	2198634
16	Switch, Rocker Arm	1	1115373
17	P.C. Board Emitter	1	2220398
18	Cover, Ice Maker	1	2255720
19	Slide, Ice Maker Mounting	1	2212321
20	Screw	**	***
21	Screw	**	***
22	Light Socket	1	2162085
23	Light Bulb	1	527949
24	Screw	**	***
25	Flipper	1	2198633
26	Cover, Receiver	1	W10173569
27	Slide, Ice Maker Shut Off	1	2315398
28	P.Circuit. Board, Receiver	1	W10193666
29	Lens	1	2198643
30	Light Shield	1	2198589



# REFRIGERADOR MD5520L00

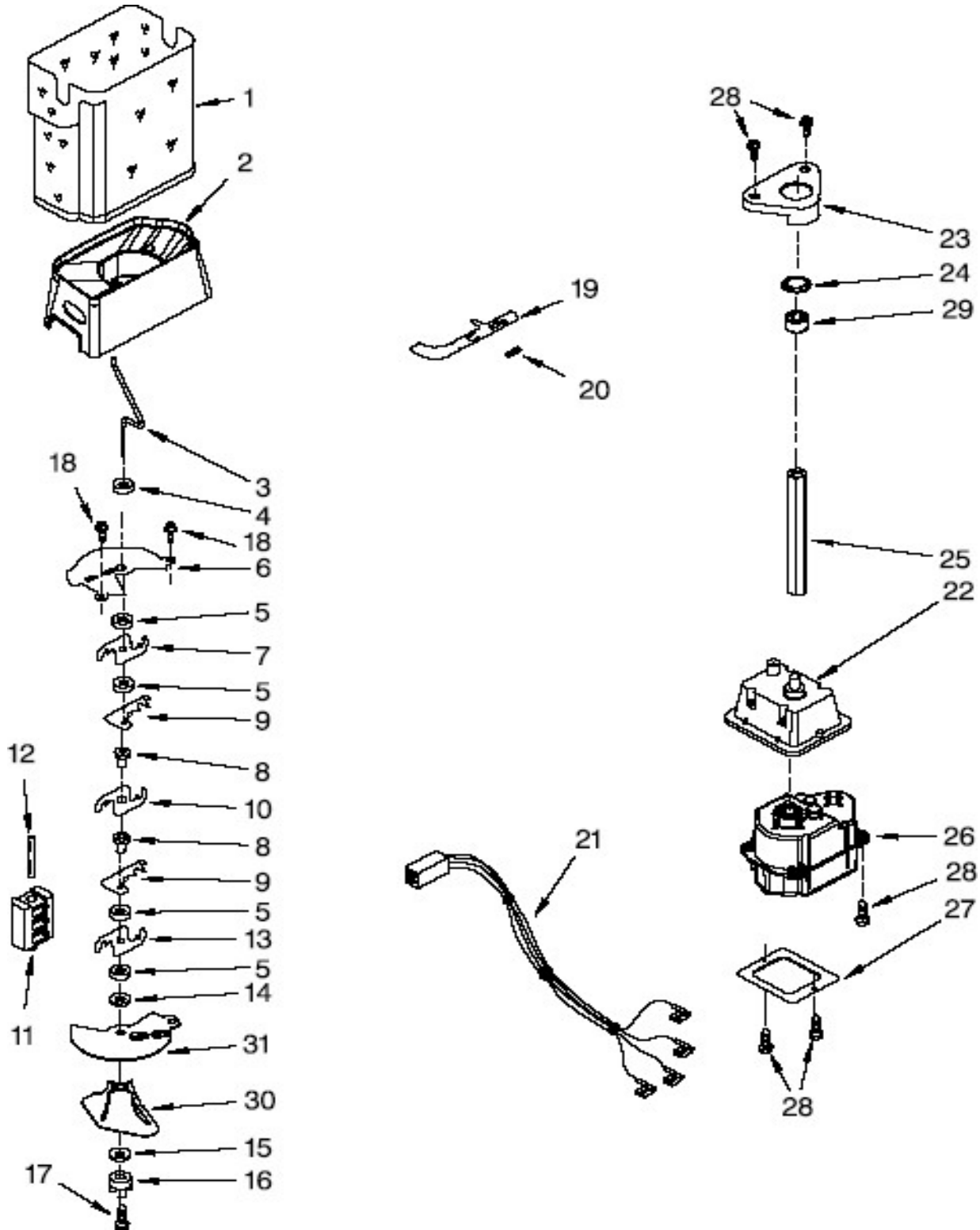
idad

25 pies

or

Satina Monocromatico

## Partes del Contenedor de Hielos



# REFRIGERADOR MD5520L00

Marca		Maytag	
Capacidad		25 pies	
Color		Satina Monocromatico	
Partes del Contenedor de Hielos			
R e f	Descripción	C a n t	Numero de Parte
1	Ice Bin	1	2198573
2	Crusher Bin	1	W10170127
3	Auger	1	2317240
4	Washer, Auger	1	2258220
5	Spacer, Flat	4	1119007
6	Cover, Crusher	1	2317248
7	Blade, Rotary	1	2257024
8	Spacer, Step	2	1119005
9	Blade, Fixed	1	2257020
10	Blade, Rotary	1	2257023
11	Block, Blade	1	2317239
12	Roll Pin	1	489229
13	Blade, Rotary	1	2257022
14	Washer, Plain	1	489235
15	Washer, Coupling	1	2198661
16	Coupling	1	2188918
17	Screw	**	***
18	Screw	**	***
19	Latch, Bin	1	2317277
20	Spring, Latch	1	2198608
21	Wire Assembly,IDI Motor	1	2187467
22	Enclosure, Motor	1	2256154
23	Clip Shaft	1	2188919
24	Seal	1	2198628
25	Drive Shaft	1	2188916
26	Dispenser, Motor	1	2315544
27	Cover	1	2212305
28	Screw	**	***
29	Sleeve, Coupling	1	2315559
30	Wiper	1	2317243
31	Divider Chamber	1	2317250
100	Ice Container (Complete)	1	W10204467

# REFRIGERADOR MD5520L00

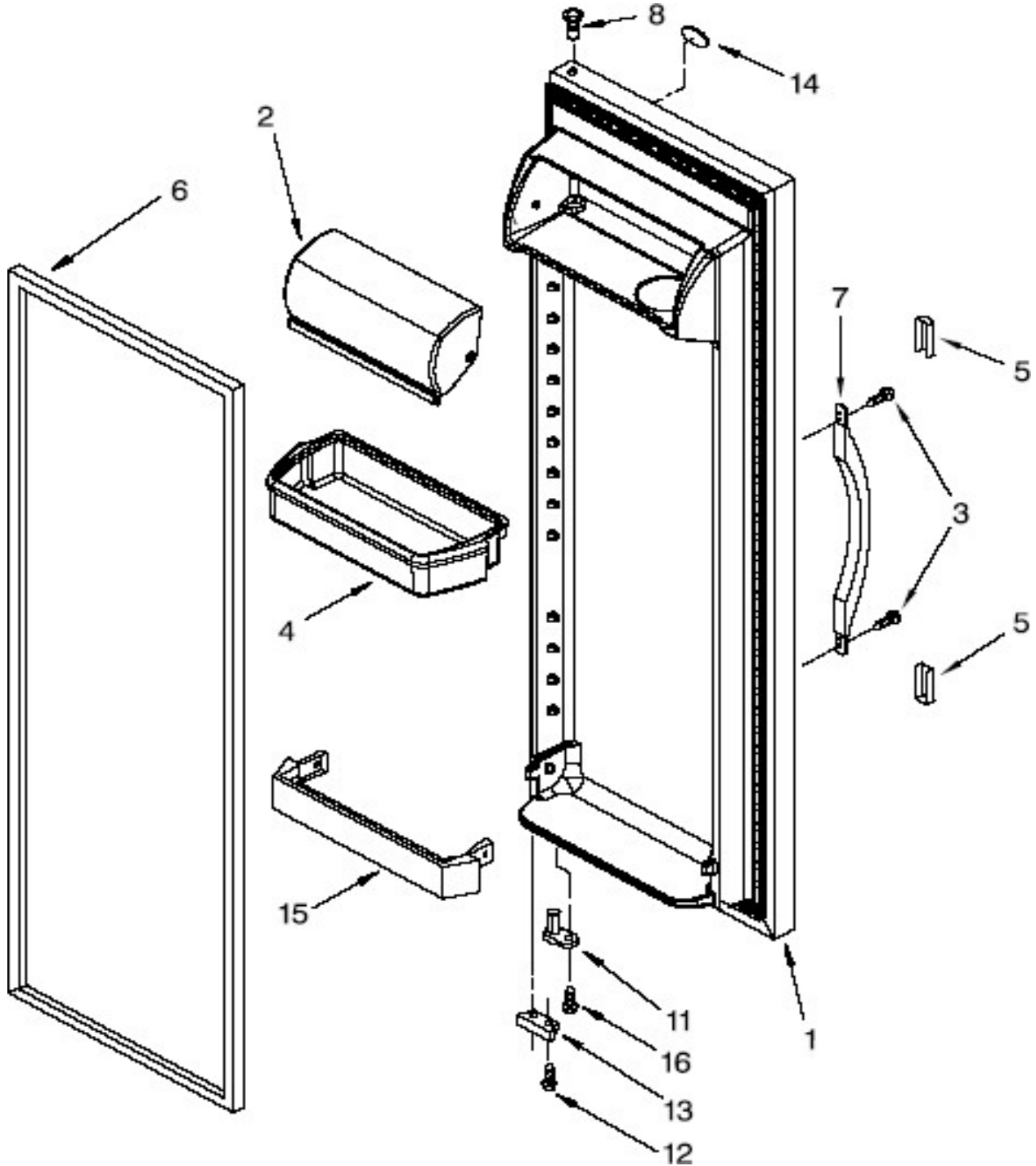
idad

25 pies

or

Satina Monocromatico

## Puerta Refrigerador



# REFRIGERADOR MD5520L00

<b>Marca</b>		<b>Maytag</b>	
<b>Capacidad</b>		<b>25 pies</b>	
<b>Color</b>		<b>Satina Monocromatico</b>	
<b>Puerta Refrigerador</b>			
<b>R e f</b>	<b>Descripción</b>	<b>C a n t</b>	<b>Numero de Parte</b>
1	Refrigerator Door (include item 6)	1	W10172722
2	Door, Compartment	1	2256101
3	Screw	**	***
4	Door Bin	3	2256101
5	Extension, Handle	**	***
6	Door Gasket, Magnetic	1	2309529
7	Handle	1	13004701S
8	Thimble-Top	1	2308091
11	Door Closer, Upper Cam	1	2182178
12	Screw	**	***
13	Bracket, Door Stop	1	2206629B
14	Nameplate	**	***
15	Trivet	1	2156022
16	Screw	**	***

# REFRIGERADOR MD5520L00

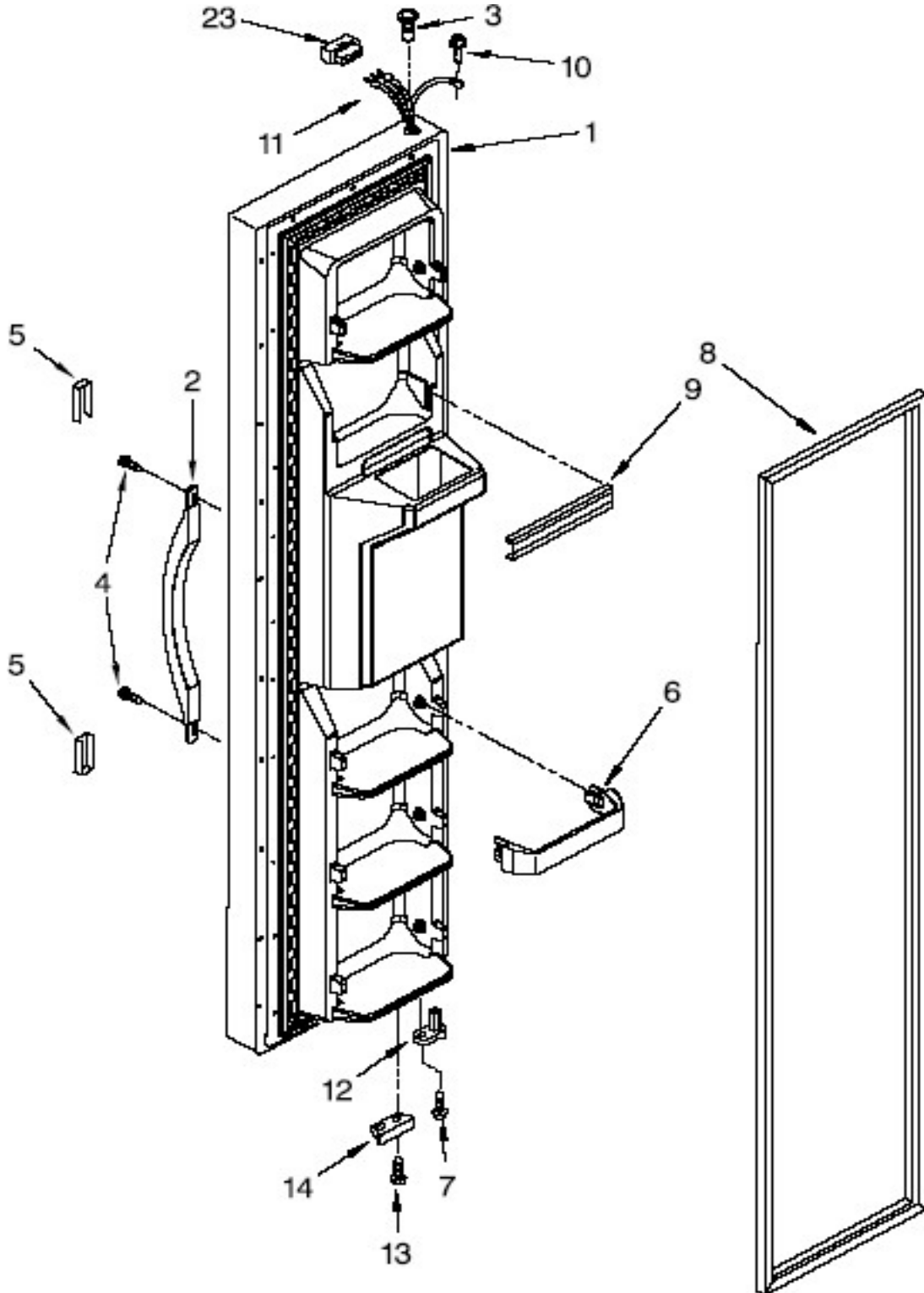
idad

25 pies

or

Satina Monocromatico

## Puerta Congelador



# REFRIGERADOR MD5520L00

<b>Marca</b>		<b>Maytag</b>	
<b>Capacidad</b>		<b>25 pies</b>	
<b>Color</b>		<b>Satina Monocromatico</b>	
<b>Puerta Congelador</b>			
<b>R e f</b>	<b>Descripción</b>	<b>C a n t</b>	<b>Numero de Parte</b>
1	Freezer Door (Includes Item 8 And Dispenser Front Parts)	1	W10171705
2	Handle	1	13004701S
3	Thimble-Top	1	2182181
4	Screw	**	***
5	Extension, Handle *incluye # 2	**	***
6	Trivet	3	2223559
7	Screw	**	***
8	Door Gasket, Magnetic	1	2309533
9	Trim, Door Shelf	1	2219982
10	Screw	**	***
11	Wire Harness	1	2187491
12	Door Closer, Upper Cam	1	2182179
13	Screw	**	***
14	Bracket, Door Stop	1	2206629B
23	Connector	1	2154473



# REFRIGERADOR MD5520L00

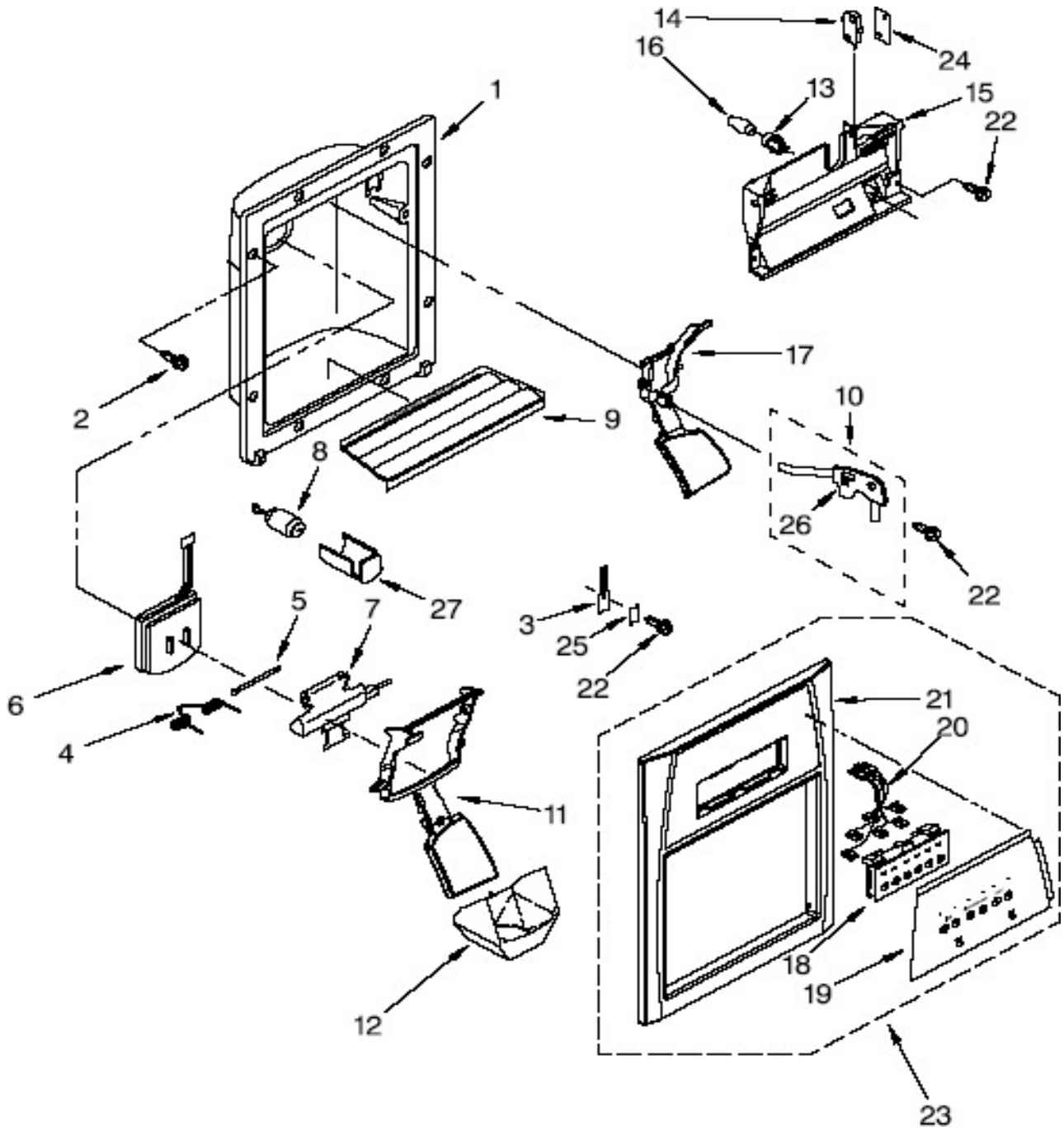
idad

25 pies

or

Satina Monocromatico

## Dispensador



# REFRIGERADOR MD5520L00

Marca		Maytag	
Capacidad		25 pies	
Color		Satina Monocromatico	
Dispensador			
R e f	Descripción	C a n t	Numero de Parte
1	Housing, Dispenser (Not Serviced)	**	***
2	Screw	**	***
3	Retainer, Levers	1	2194719
4	Spring, Torsion	1	W10224328
5	Pin	1	2196195
6	Door, Ice	1	2180353
7	Door, Mechanism Assembly	1	2304355
8	Mechanism Delay	1	2205686
9	Grille, Overflow	1	2206670B
10	Water Fitting Assembly (Includes Water Tube)	1	2304317
11	Lever, Ice Dispenser	1	2203562B
12	Guide, Ice	1	2180224
13	Lamp Holder	1	2180200
14	Switch	2	2162361
15	Bracket, Control	1	2183771
16	Bulb, Light	1	3406124
17	Lever, Water Dispenser	1	2203561B
18	Switch Assembly (Not Available Order #23)	1	2198621
19	Overlay, Front Cover (Not Available Order #23)	1	W10185335
20	Wire Assembly	1	2187406
21	Front Cover Housing (Not Available Order #23)	1	2220102B
22	Screw	**	***
23	Front Cover Assembly (Includes Items 18, 19, 20 & 21)	1	W10175698
24	Spacer, Switch	2	625834
25	Strain Relief	1	2195051
26	Bracket, Dispenser	1	2304673
27	Sleeve, Delay Mechanism	1	2252127

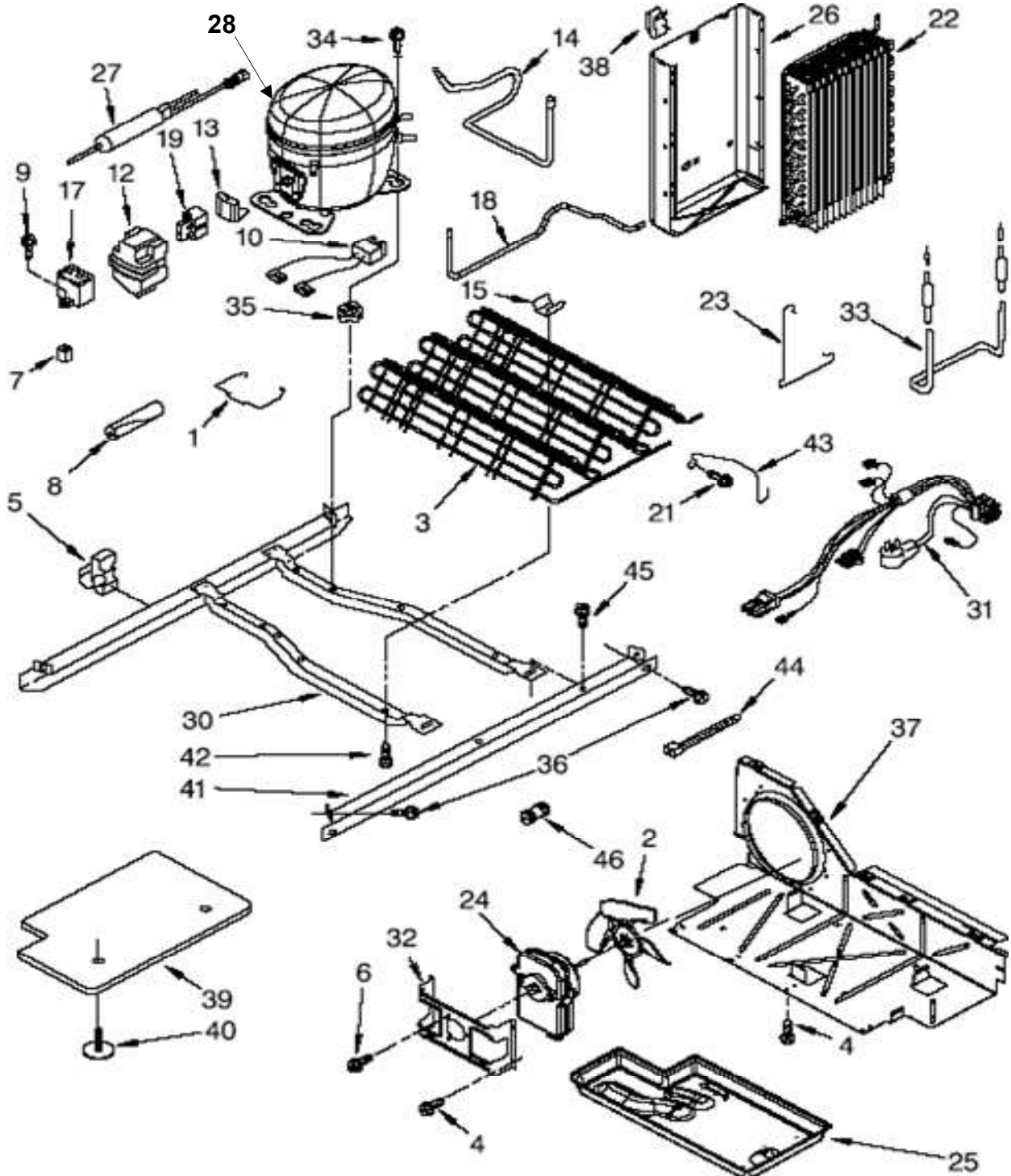
# REFRIGERADOR MD5520L00

idad  
or

25 pies

Satina Monocromatico

## Sistema Sellado



# REFRIGERADOR MD5520L00

Categoría		25 pies	
Modelo		Satina Monocromatico	
Sistema Sellado			
R e f	Descripción	C a n t	Numero de Parte
1	Bale Strap	1	W10204187
2	Fan Blade	1	12825802
3	Condenser Assembly	1	W10222348
4	Screw	**	***
5	Clip wire	1	2208280
6	Screw	**	***
7	Grommet	1	2176759
8	Sleeve	1	2161302
9	Screw	**	***
10	Wire Capacitor	**	***
12	Cover Terminal	**	***
13	Overload	**	***
14	Tube Suction	1	2205765
15	Clip Condenser	2	2311725
17	Capacitor	1	2169373
18	Tube Condenser to Heat Loop	1	2325479
19	Relay TSD2 115V ELECTRICAL	1	W10197427
21	Screw	**	***
22	Evaporator	1	2188823
23	Clamp	1	2161324
24	Fan Motor	1	2188874
25	Tray Evaporator	1	1105523
26	Heat Shield	1	W10194475
27	Drier	1	W10177049
28	Compressor	1	W10121055
30	Unit mounting frame	1	W10196321
31	Unit Harness (includes power cord)	1	2187605
32	Fan motor bracket	1	2181929
33	Heater defrost	1	2188175
34	Screw	**	***
35	Grommet	4	1100826
36	Screw	**	***
37	Air Baffle	1	W10196306
38	Clip heat shield	1	2155547
39	Unit Cover Bottom	1	2304891
40	Clip	1	489396
41	Unit mounting Rail	1	W10196313
42	Screw	**	***
43	Guard Fan	1	2260517
44	Strap	1	2263990
45	Screw	**	***
46	Union	1	2320322

# REFRIGERADOR MD5520L00

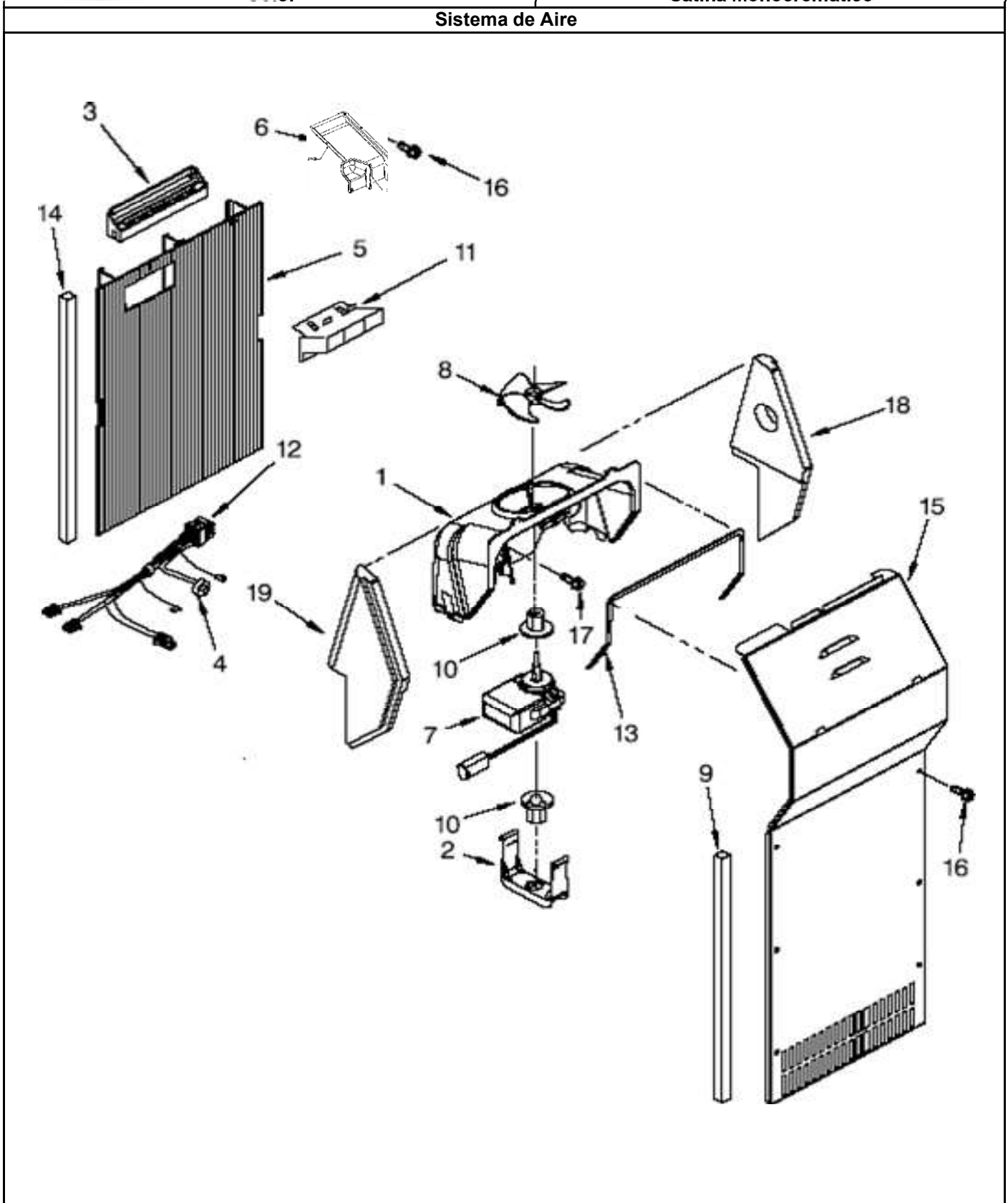
idad

25 pies

or

Satina Monocromatico

## Sistema de Aire



# REFRIGERADOR MD5520L00

Marca		Maytag	
Capacidad		25 pies	
Color		Satina Monocromatico	
Sistema de Aire			
R e f	Descripción	C a n t	Numero de Parte
1	Fan Scroll	1	2182120
2	Retainer Fan motor	1	2155590
3	Diffuser Air duct	1	1108450
4	Bi-metal Defrost	1	2321799
5	Air duct Freezer	1	2312010
6	Air Duct Upper	1	2313359
7	Fan motor	1	2315549
8	Fan blade	1	2169142
9	Gasket evaporator Cover	2	2304241
10	Fan Grommet	2	2176759
11	Duct Icemaker	**	***
12	Harness Fan Evaporator (includes #4)	1	W10129815
13	Gasket Fan Scroll	1	2155789
14	Gasket	1	2261191
15	Cover Evaporator (includes #9)	1	W10194477
16	Screw	**	***
17	Screw	**	***
18	Support R.S	1	2203595
19	Support L.S	1	2203596



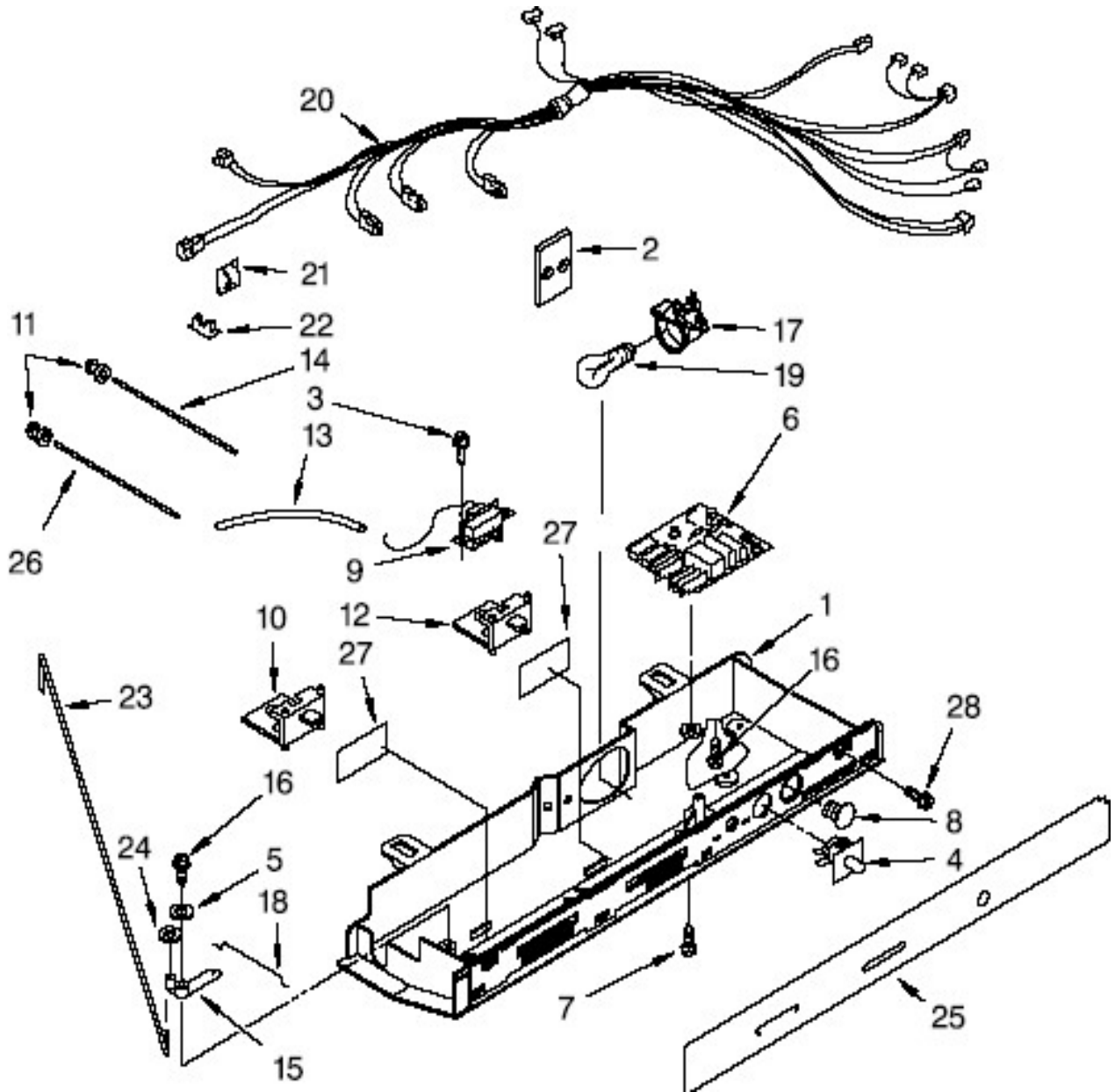
# REFRIGERADOR MD5520L00

idad  
or

25 pies

Satina Monocromatico

## Partes del Control



# REFRIGERADOR MD5520L00

Marca		Maytag	
Capacidad		25 pies	
Color		Satina Monocromatico	
Partes del Control			
R e f	Descripción	C a n t	Numero de Parte
1	Control Box	1	2311721
2	Heat Shield	1	2172931
3	Screw	**	***
4	Switch, Plunger	1	2149705
5	Spring Washer	1	489203
6	Control Board Assembly	1	W10135052
7	Screw	**	***
8	Hole Plug	1	940014
9	Thermostat	1	2315562
10	Slide, Air Control	1	2181741
11	Grommet, Light Bar	4	2172906
12	Slide, Thermostat	1	2161466
13	Tube Barrier	1	2196001
14	Light Bar (Fiber Optic Light)	1	2179920
15	Pivot Arm	1	2161306
16	Screw	**	***
17	Light Socket	1	2162085
18	Connecting Rod, Short	1	2161307
19	Light Bulb	1	527949
20	Control Box Harness	1	2311632
21	Clip, Wiring	1	1115374
22	Clip, Wiring	1	1115375
23	Connecting Rod	1	2161308
24	Fastner, Push-On	1	489391
25	Cover Front, Control Box	1	W10171457
26	Light Bar (Fiber Optic Light)	1	2179921
27	Window	1	2175513
28	Screw	**	***

# REFRIGERADOR MD5520L00

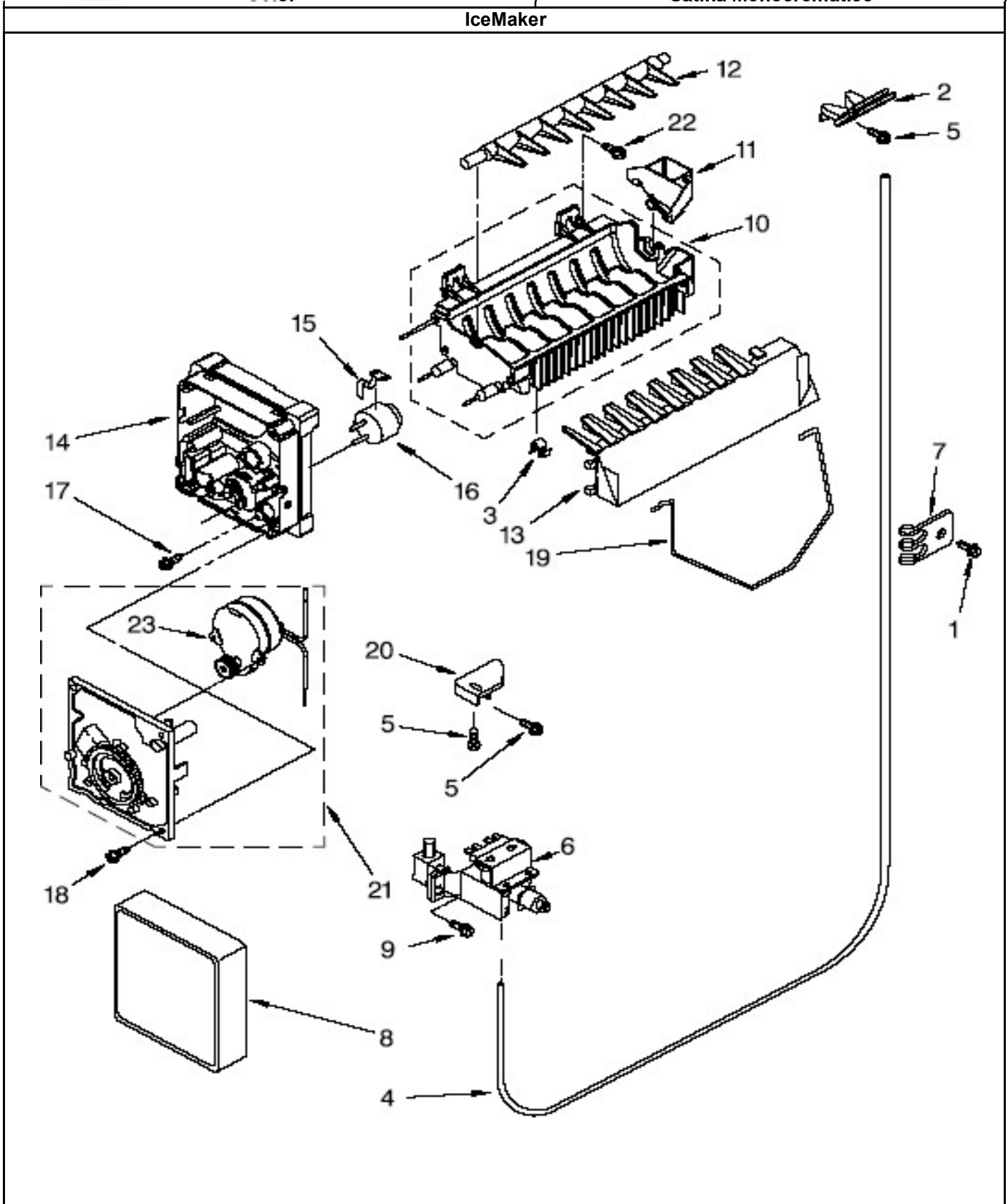
idad

25 pies

or

Satina Monocromatico

## IceMaker



# REFRIGERADOR MD5520L00

<b>Marca</b>		<b>Maytag</b>	
<b>Capacidad</b>		<b>25 pies</b>	
<b>Color</b>		<b>Satina Monocromatico</b>	
<b>IceMaker</b>			
<b>R e f</b>	<b>Descripción</b>	<b>C a n t</b>	<b>Numero de Parte</b>
1	Screw	**	***
2	Chute Water	**	***
3	Clip Fuse	1	628379
4	Tube Water	1	2304316
5	Screw	**	***
6	Filter Valve Asm	1	2188708
7	Clip Water Tube	1	2208136
8	Cover	1	2174358
9	Screw	**	***
10	Molde y Heater Assembly	1	W10122527
11	Cup water fill	1	2304969
12	Ejector	1	627843
13	Ice Striper	1	2198598
14	Support	1	2194712
15	Retainer Thermostat	1	2315522
16	Thermostat	1	628397
17	Screw	**	***
18	Screw	**	***
19	Shut off arm	**	***
20	Bracket	**	***
21	Module Assembly	1	626681
22	Screw	**	***
23	Motor (Not Serviced)	1	626683
100	Complete Icemaker Assembly	1	W10190960