



MD7816S02
MAYTAG | 26 CUFT | ACERO INOX

EXPLOSIONADO DE PARTES

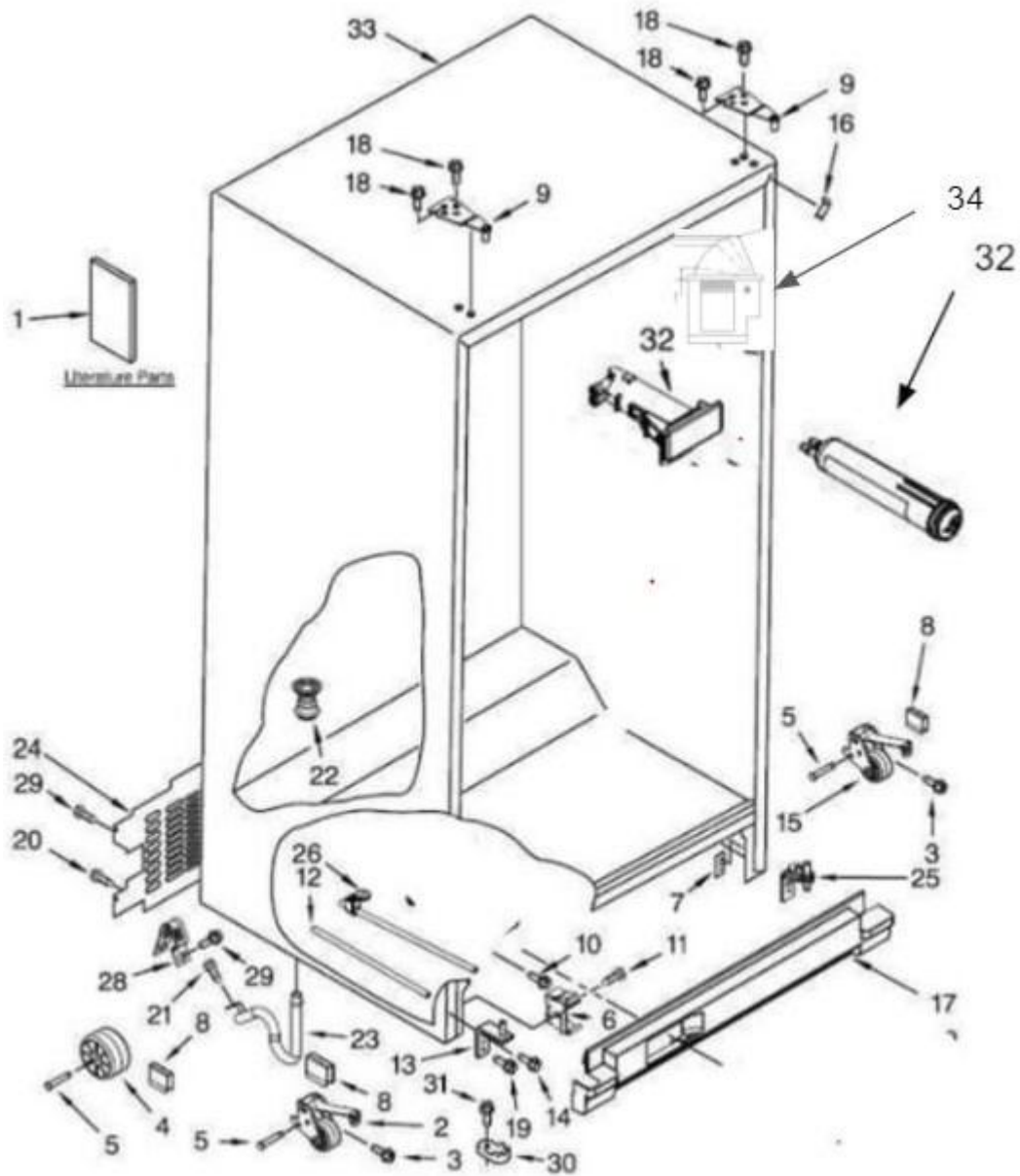
— **REFRIGERADOR DÚPLEX** —

MODELO: MD7816S02



MODELO | MD7816S

REFRIGERADOR MD7816S02



Distribuidor Autorizado

SurteRápido.com

Venta de Refacciones
Electrodomesticas

REFRIGERADOR MD7816S02

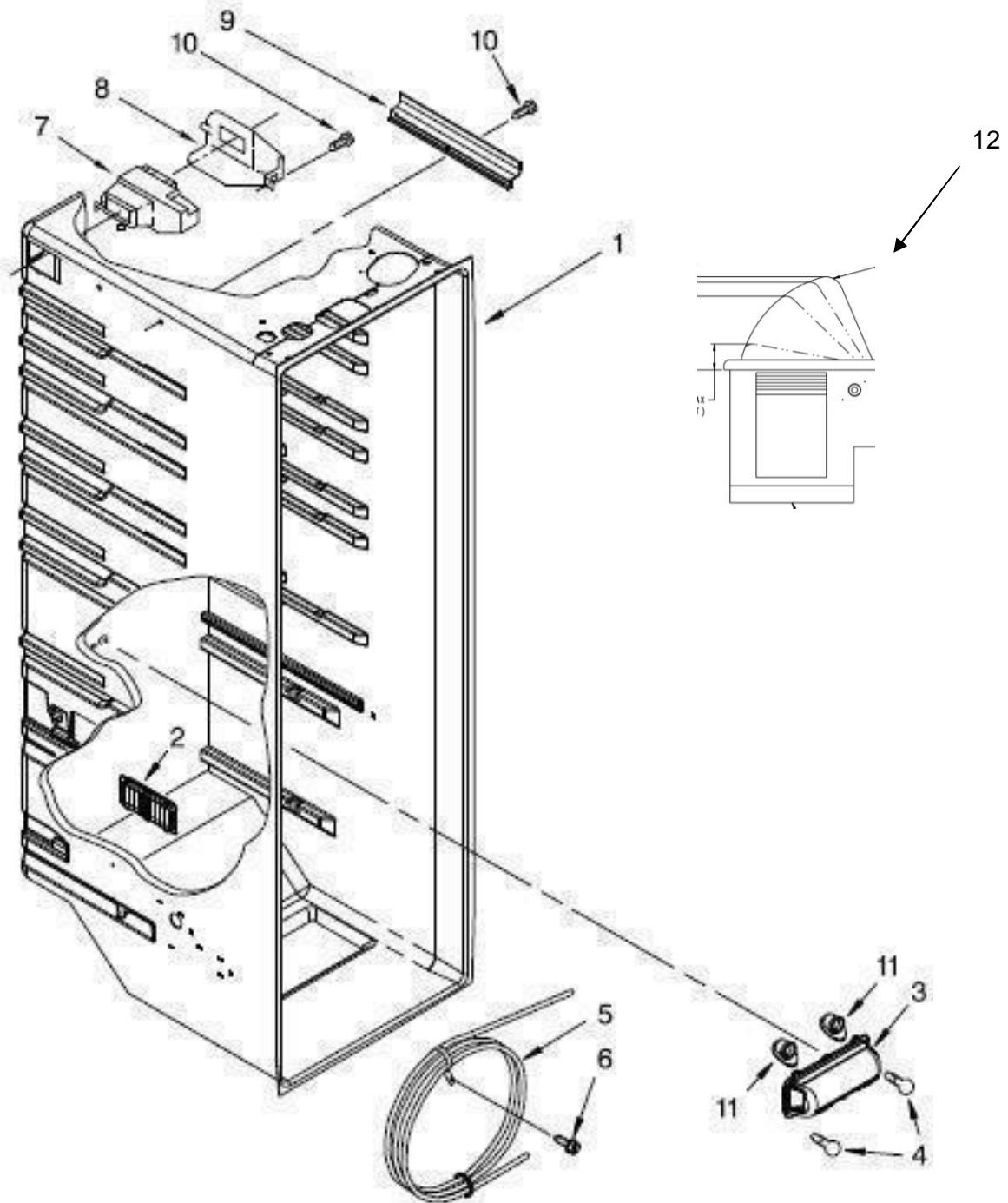
No.	DESCRIPCIÓN	Cant.	No. de Parte
1	Literature Parts	**	*****
2	Roller cabinet	1	12477102
3	Screw	**	*****
4	Roller	1	2150304
5	Axle, Roller	1	12477202
6	Clip, Grille	2	*****
7	Plate, Screw	1	*****
8	Clip, Roller	1	*****
9	Top Hinge RC	1	W10611065
	Top Hinge FC	1	W10673327
10	Screw	**	*****
11	Screw	**	*****
12	Tube Filter - Inlet	1	W10279882
13	Hinge, Bottom FC	1	W10249943
	Cam closer - FC		W10770893
14	Screw	**	*****
15	Front Roller Right	1	2150304
16	Filler, Wrapper	2	12587703AP
17	Grille	1	*****
18	Screw, Hinge	**	*****
19	Screw	**	*****
20	Screw	**	*****
21	Screw	**	*****
22	Drain Fitting	1	*****
23	Extension, Drain Fitting	1	W10379525
24	Cover Unit	1	W10257323
25	Hinge, Bottom RC & BOLT	1	W10666895
26	Tube Filter - Outlet	1	W10279884
28	Clamp, Power Cord	1	*****
29	Screw	**	*****
30	Door Closer, RC	1	W10738911
31	Screw	**	*****
32	Housing & Filter Assy.	1	W10844058
33	<u>Cabinet (No Servicable)</u>	**	*****
34	<u>Switch Door</u>	<u>1</u>	<u>W10847849</u>

Distribuidor Autorizado

SurteRápido.com

Venta de Refacciones
Electrodomesticas

REFRIGERADOR MD7816S02



Distribuidor Autorizado

SurteRápido.com

Venta de Refacciones
Electrodomesticas



REFRIGERADOR MD7816S02

No.

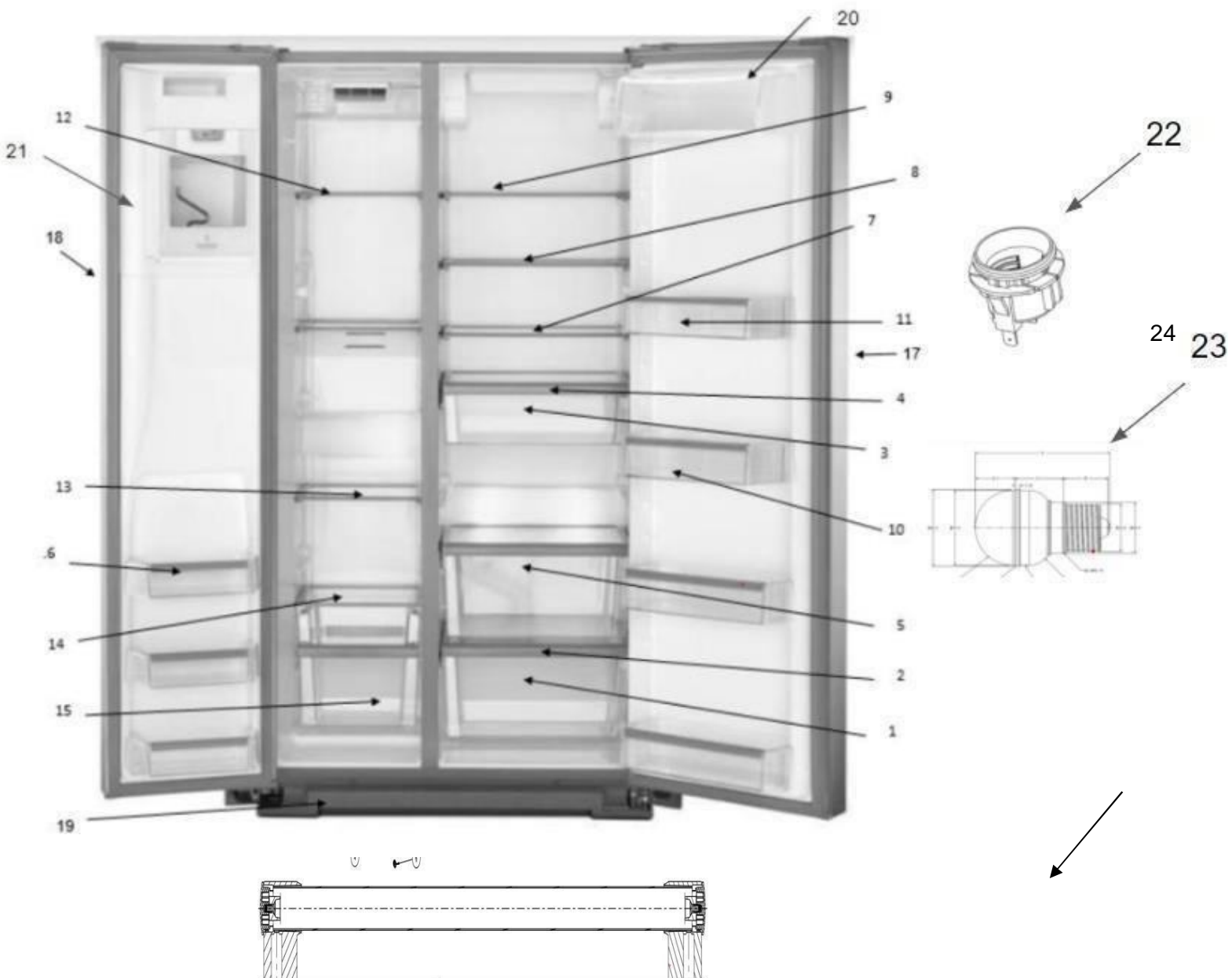
<u>Ilus.</u>	<u>DESCRIPCIÓN</u>	<u>Cant.</u>	<u>No. de Parte</u>
1	Liner (No Servicable)	**	*****
2	Louver	1	*****
3	HOUSING ASSY- LIGHT,RC	1	W10464826
4	Bulb, Light	1	W10574850
5	Reservoir	1	W10366790
6	Screw	**	*****
7	DAMPER	1	W11175955
8	Cover, Air Diffuser	1	W10457605
9	Cover, Wiring	1	*****
10	Screw	**	*****
12	Switch Door	1	W10847849_

Distribuidor Autorizado

SurteRápido.com

Venta de Refacciones
Electrodomesticas

REFRIGERADOR MD7816S02



Distribuidor Autorizado

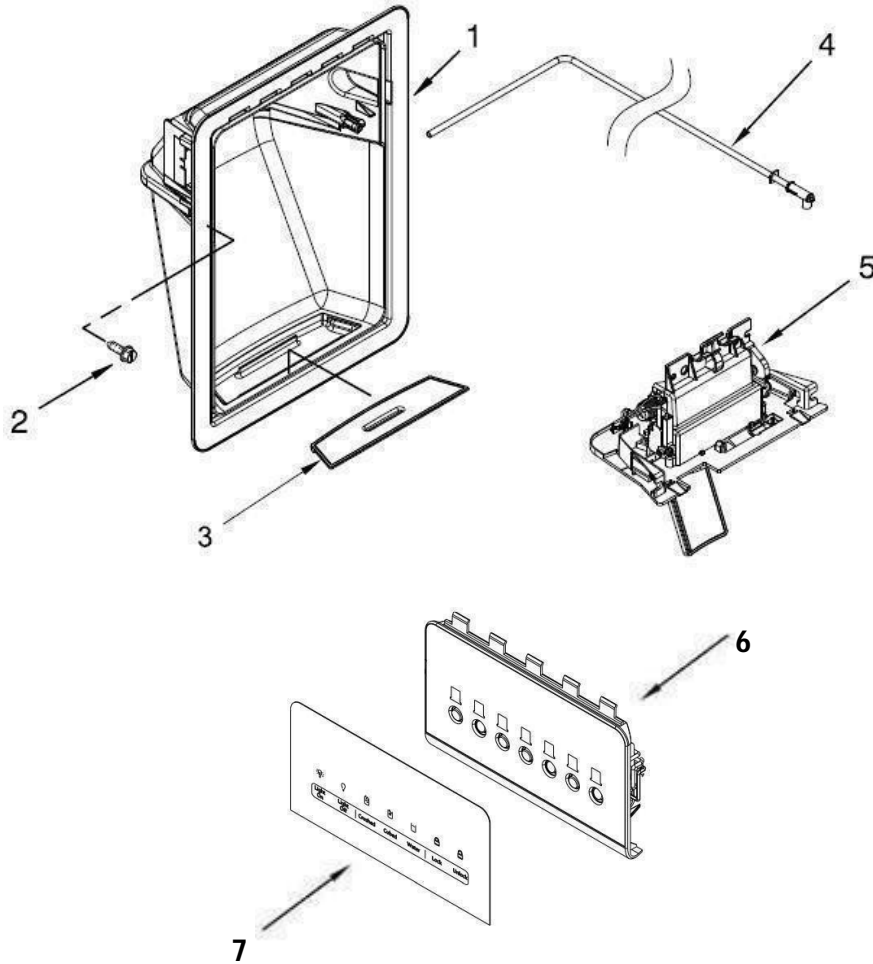
SurteRápido.com

Venta de Refacciones
Electrodomesticas

REFRIGERADOR MD7816S02

<u>No.</u>	<u>DESCRIPCIÓN</u>	<u>Can</u>	<u>No. de Parte</u>
<u>Ilus.</u>		<u>t.</u>	
1	Crisper pan RC (Control de humedad)	1	W10839074
2	Trim	1	W10839075
3	Cajón eg - rc	1	W10839055
4	Trim - eg	1	W10839059
5	Cajón de carnes	1	W10839077
6	Trim cajón de carnes	1	W10839078
7	Parrilla snack (Parrilla Mayor)	1	W10463649
8	Parrilla-pan (Parrilla media)	1	W10463651
9	Parrilla RC	1	W10463259
10	Bin door RC	2	W10672337
11	Bin door Galonero RC.	2	W10672344
12	Parrilla FC Superior	1	W10463643
13	Parrilla FC baja	1	W10463645
14	Parrilla cubierta FC	1	W10463654
15	Cajón FC	1	W10839081
16	Bin FC	3	W10646629
17	Door RC	1	LW11034347
18	Door FC	1	LW11034349
19	Base Grill	1	W10713153
20	Compt Assy-Utility/ Anaquel mantequillero	1	W10324760
21	ICE-CONTNR	1	W11347840
22	socket FC	4	2155597
23	lamp led	4	W11125625
24	Jaladera	1	W10838130
	Placa marca	1	W10675688

REFRIGERADOR MD7816S02



Distribuidor Autorizado

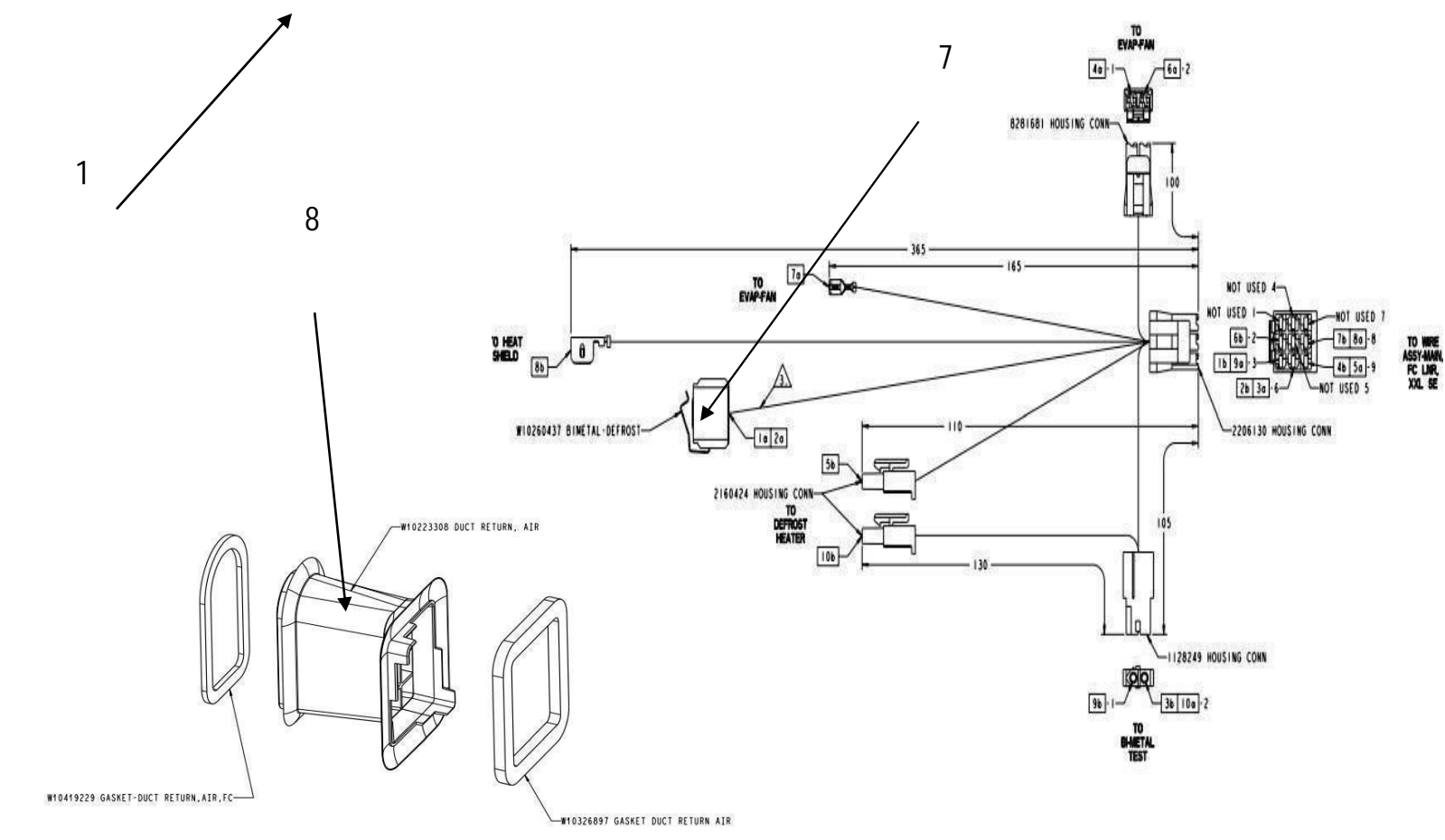
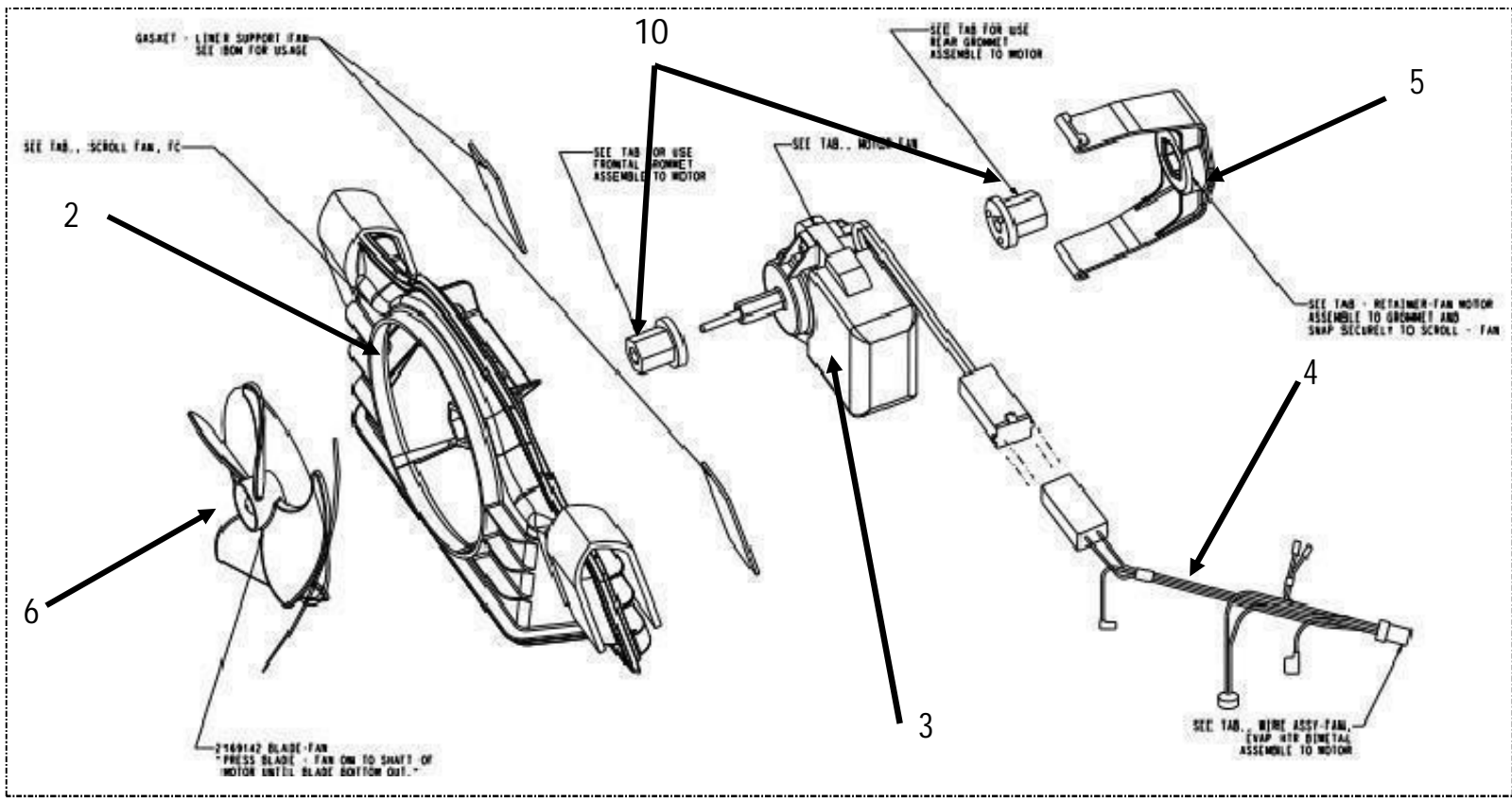
SurteRápido.com

Venta de Refacciones
Electrodomesticas

REFRIGERADOR MD7816S02

No. Ilus.	DESCRIPCION	Cant.	No. de Parte
1	Housing, Dispenser (No	**	*****
2	Screw	**	*****
3	Grille, Overflow	1	*****
4	Water Fitting Assembly	1	W10294737
5	Separator Assembly	1	W10781995
6	U.I. Assembly	1	W10841976

REFRIGERADOR MD7816S02



REFRIGERADOR MD7816S02

<u>No. Ilus.</u>	<u>DESCRIPCIÓN</u>	<u>Cant.</u>	<u>No. de Parte</u>
1	Assy-scroll fan, FC, 220v	1	W10274560
2	Scroll fan, fc Fan Motor	1	W10260421
3	Motor-fan	1	2315549
4	Wire assy-evap fan, XXL	1	W10242409
5	Retainer-fan motor	1	W10260421
6	Blade, Fan		2169142
7	BI-Metal, Defrost	1	W10260437
8	Ai Duct Freezer	1	W10423204
9	Gasket, Evaporator Cover	2	W10240370
10	Grommet, Motor	2	2176759
13	Gasket, Evaporator Cover	2	2304241
14	Cover, Evaporator	1	W10388268



REFRIGERADOR MD7816S02

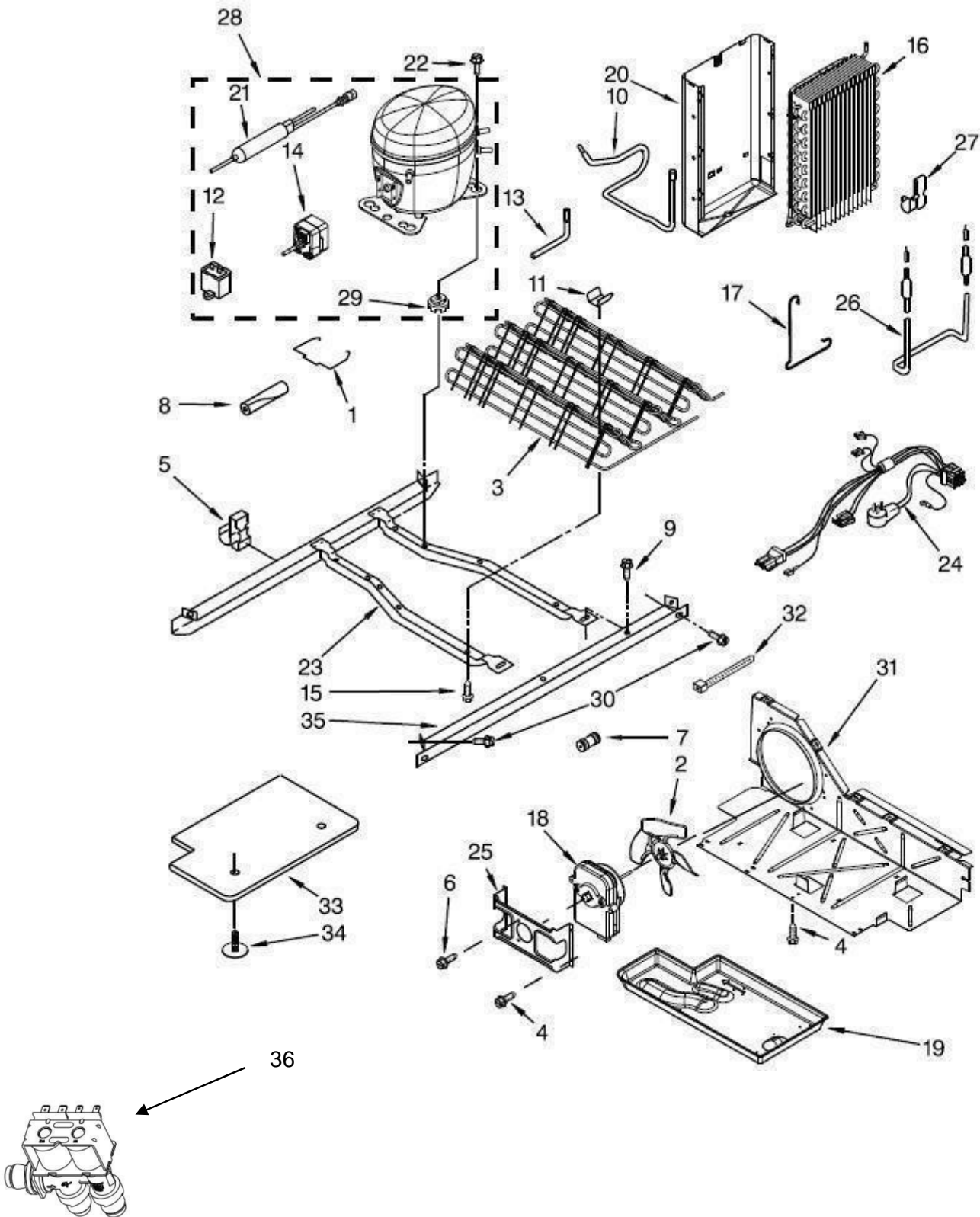
<u>No.</u>	<u>Ilus.</u>	<u>DESCRIPCIÓN</u>	<u>Cant.</u>	<u>No. de Parte</u>
1		Control Box (ensamble)	1	W10759660
2		Tarjeta de control (cntl-elek)	1	W10759661
3		Arnes control box assy	1	W10612040
4		Gasket-hv control box	1	W10257341
5		Core box - hv control		W10247993
6		Lid-hv control box	1	12957702
7		Arnes	1	W10298093
8		Thermistor RC	1	W10280385

Distribuidor Autorizado

SurteRápido.com

Venta de Refacciones
Electrodomesticas

REFRIGERADOR MD7816S02



Distribuidor Autorizado

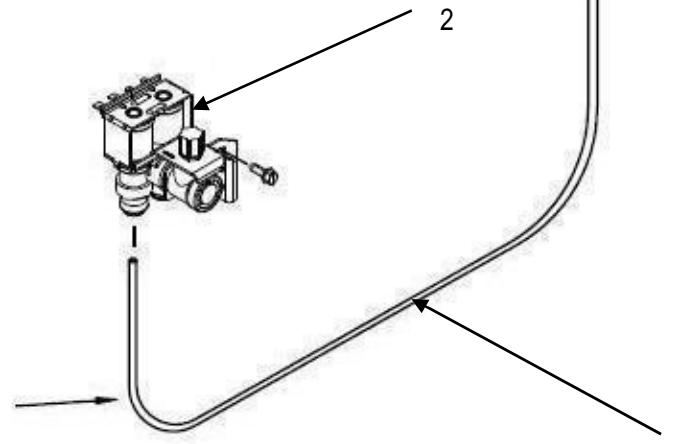
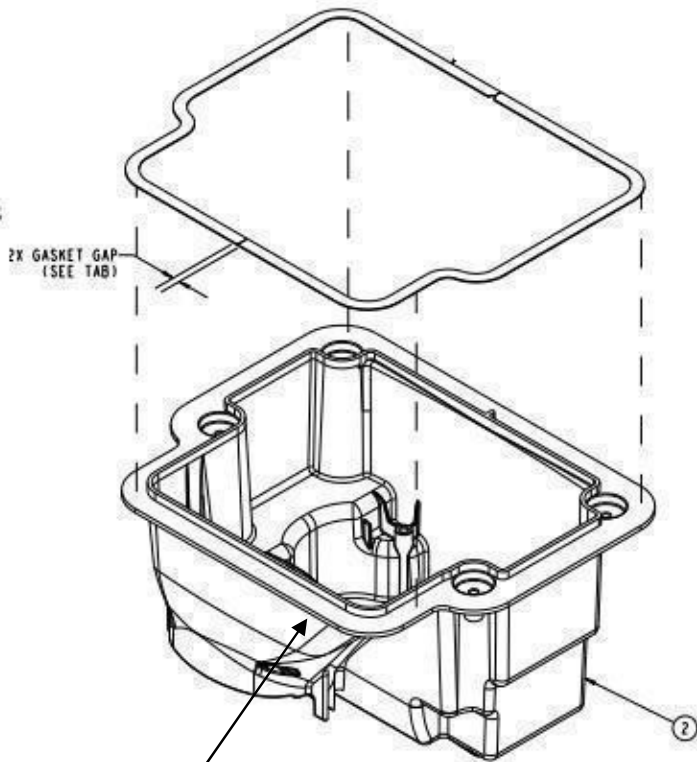
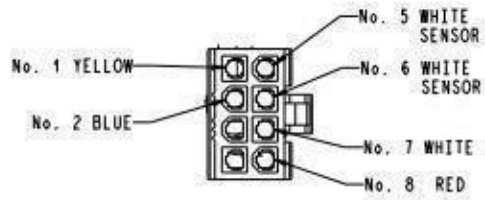
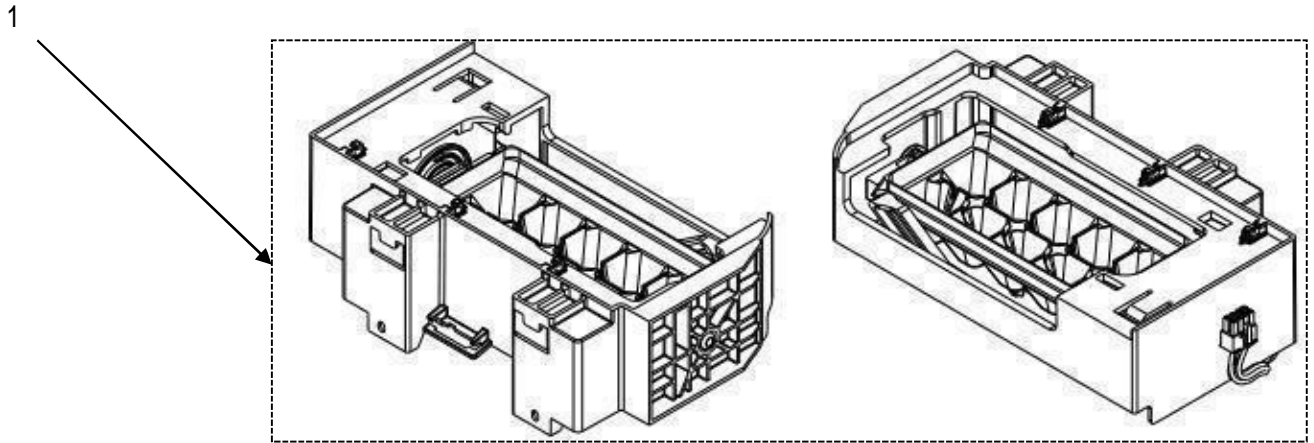
SurteRápido.com

Venta de Refacciones
Electrodomesticas

REFRIGERADOR MD7816S02

No. Ilus.	DESCRIPCIÓN	Cant.	No. de Parte
1	Strap, Bale	1	2212996
2	Blade, Fan	1	2225834
3	Condenser Assembly	1	W10276899
4	Screw	**	*****
5	Clip, Wire	3	*****
6	Screw	**	*****
7	Connector, Water Tube	1	W10271541
8	Sleeve, Pressure Switch Hose	1	W10303521
9	Screw	**	*****
10	Tube, Suction	1	W10219381
11	Clip, Condenser	2	W10248621
12	Capacitor	1	W10350564
13	Tube, Process	**	*****
14	Start Device Combination (Start and	1	W10197428
15	Screw	**	*****
16	Evaporator, FC	1	W10251503
17	Clip, Defrost Heater	2	2161324
18	Motor, Condenser	1	W10527155
19	Tray, Evaporator	1	W10703216
20	Heat Shield and Drain Pan	1	W10274575
21	Drier	1	W10771114
22	Screw	**	*****
23	Frame, Unit Mounting	1	W10123397
24	Unit, Harness	1	W10670174
25	Bracket, Fan Motor	1	W10251467
26	Heater, Defrost	1	W10495967
27	Clip, Defrost Heater	2	2161324
28	Compressor	1	W10615772
29	Grommet	4	2183042
30	Bolt	2	489340
31	Base plate air Baffle	1	W10864421
32	Tie, Wire	1	2263990
33	Unit Cover, Bottom	1	W10466694
34	Clip	2	489396
35	Rail, Unit Mounting	1	W10196313
36	Válvula dual	1	W10341320

REFRIGERADOR MD7816S02



4

Distribuidor Autorizado

SurteRápido.com

Venta de Refacciones
Electrodomesticas

REFRIGERADOR MD7816S02

<u>No. Ilus.</u>	<u>DESCRIPCIÓN</u>	<u>Cant.</u>	<u>No. de Parte</u>
1	Ice maker assy TTIM	1	W10798411
2	Valve-solenoid,single	1	W10498992
3	Tube-water, valve I.M. Tube-water, thick wall	1	W10238092 W10876364
4	Complete Icemaker	1	W10798411
5	Motor box assy-ice, sin TTIM	1	W10771442