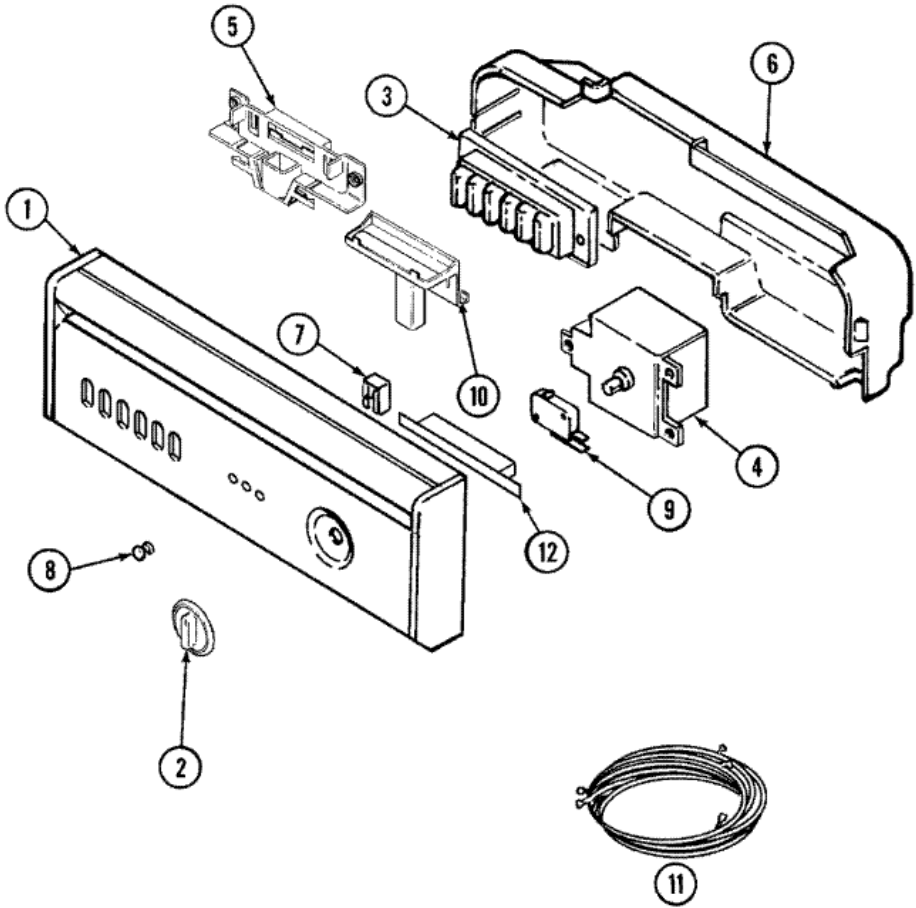


MDB5000AWW TABLERO

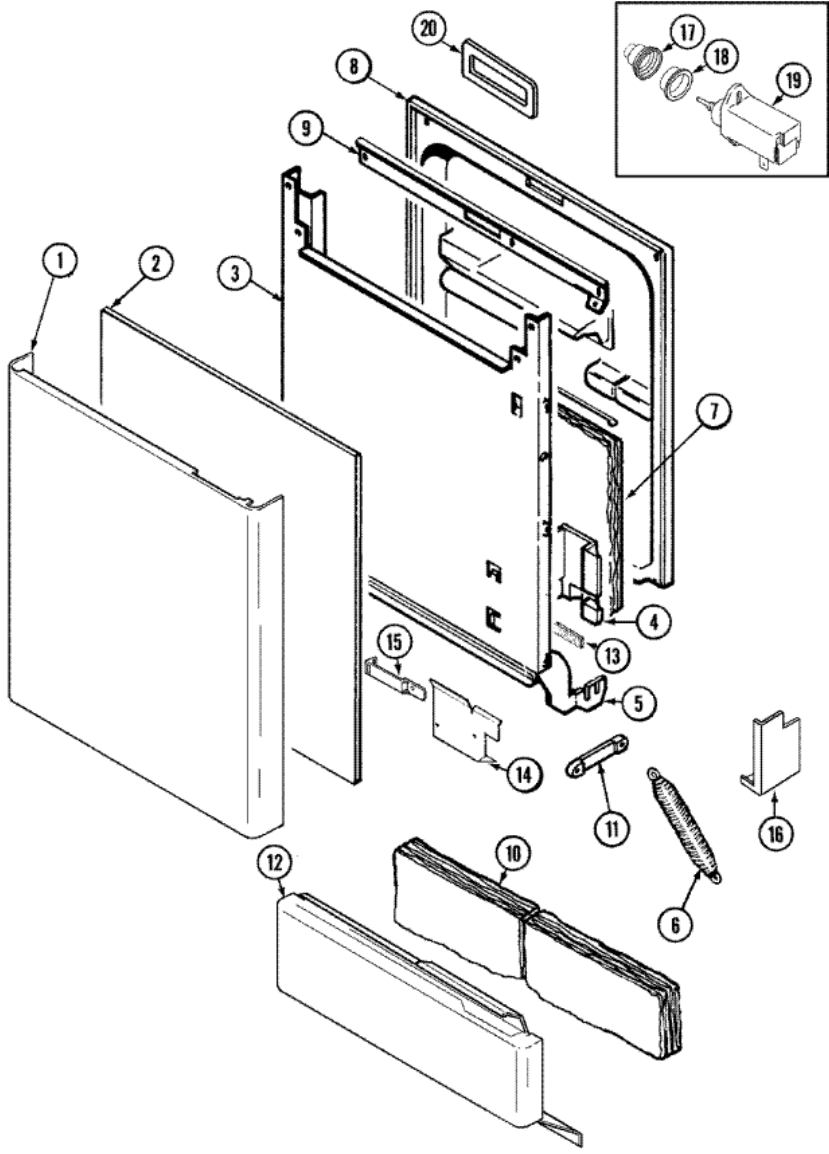




MDB5000AWW TABLERO

1	912615	SCREW, No.8X1/2 HEX WASHER HEAD (S/P)
1	99001762	PANEL, CONTROL (WHT) (S/P)
2	99001856	KNOB, TIMER (WHT) (S/P)
3	912615	SCREW, No.8X1/2 HEX WASHER HEAD (S/P)
3	99001861	SWITCH, CONTROL (8-BUTTON) (S/P)
4	12001533	TIMER (S/P)
4	912615	SCREW, No.8X1/2 HEX WASHER HEAD (S/P)
4	99001946	TIMER (S/P)
4	12001533	TIMER (6 & 8 BUTTON) (S/P)
5	912615	SCREW, No.8X1/2 HEX WASHER HEAD (S/P)
5	99002254	HOLDER, DOOR SWITCH
6	99001545	BARRIER, CONTROL PANEL (S/P)
7	903115	LOCK LIGHT (S/P)
8	99001860	LENS, INDICATOR LIGHT (S/P)
9	99002254	SWITCH, DOOR
10	99002085	HANDLE, LATCH (WHT) (S/P)
10	99001402	FOAM, LATCH HANDLE (S/P)
10	99001401	PAD, LATCH (S/P)
11	99001862	WIRE HARNESS, MAIN (S/P)
12	99001420	LINER, HANDLE HOLE (S/P)

MDB5000AWW PUERTA





MDB5000AWW PUERTA

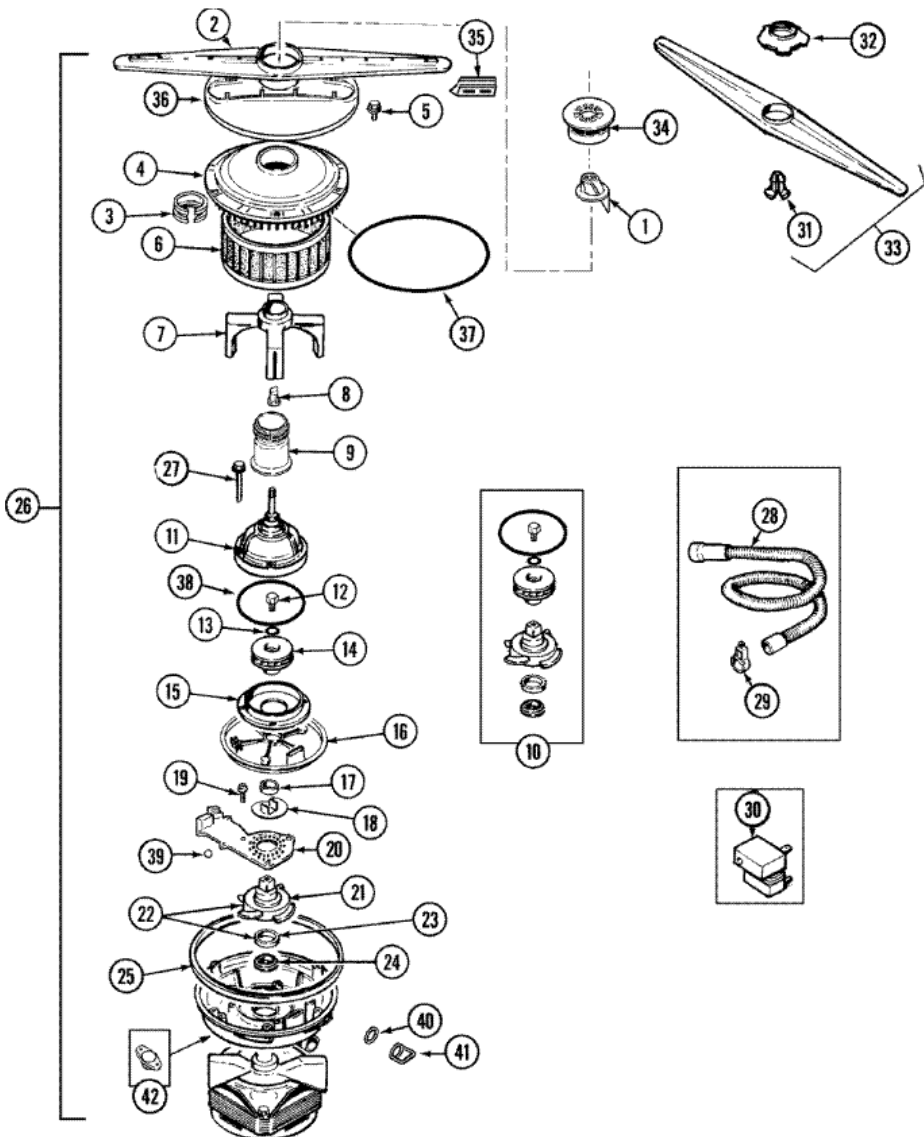
1	99001416	PANEL, DECORATOR (WHT)
2	99001415	FILLER, FRONT PANEL (S/P)
3	99001688	GROUND WIRE, REINFORCEMENT (S/P)
3	99001892	DOOR, OUTER (S/P)
4	Y912666	RETAINER, WIRE (S/P)
4	912615	SCREW, No.8X1/2 HEX WASHER HEAD (S/P)
5	99001075	SCREW (S/P)
5	903070	HINGE (LT) (S/P)
5	903071	HINGE (RT) (S/P)
5	99001898	HINGE (LT) (S/P)
5	99001899	HINGE (RT) (S/P)
6	912652	SPRING, DOOR (S/P)
7	99002411	INSULATION, DOOR (S/P)
8	99001215	DAMPER, SOUND (TOP) (S/P)
8	Y912751	DAMPER, SOUND (BTM) (S/P)
8	99001775	DOOR, INNER (W/VENT ASSY) (S/P)
9	Y912668	BAR, REINFORCEMENT (S/P)
10	99002413	INSULATION, ACCESS PANEL (S/P)
11	912653	LINK, DOOR SPRING (S/P)
12	99001194	SCREW, ACCESS PANEL (S/P)
12	99002299	DESCONTINUADO
13	903233	FOAM STRIP, INSULATION (S/P)
14	3347868	STRAP, CABLE (S/P)
14	99001414	SHIELD, TUB (S/P)
15	99001444	STRAP, HARNESS (S/P)
15	912365	SCREW (S/P)
16	Y912809	SHIELD, ACCESS PANEL (RT) (S/P)
16	Y912810	SHIELD, ACCESS PANEL (LT) (S/P)
17	99001805	GROMMET, VENT (S/P)
18	99001806	RETAINER, GROMMET (S/P)
19	99001807	MOTOR, WAX (S/P)
20	99001783	SEAL, VENT BACK (S/P)

Distribuidor Autorizado

SurteRápido.com

Venta de Refacciones
Electrodomesticas

MDB5000AWW BOMBA



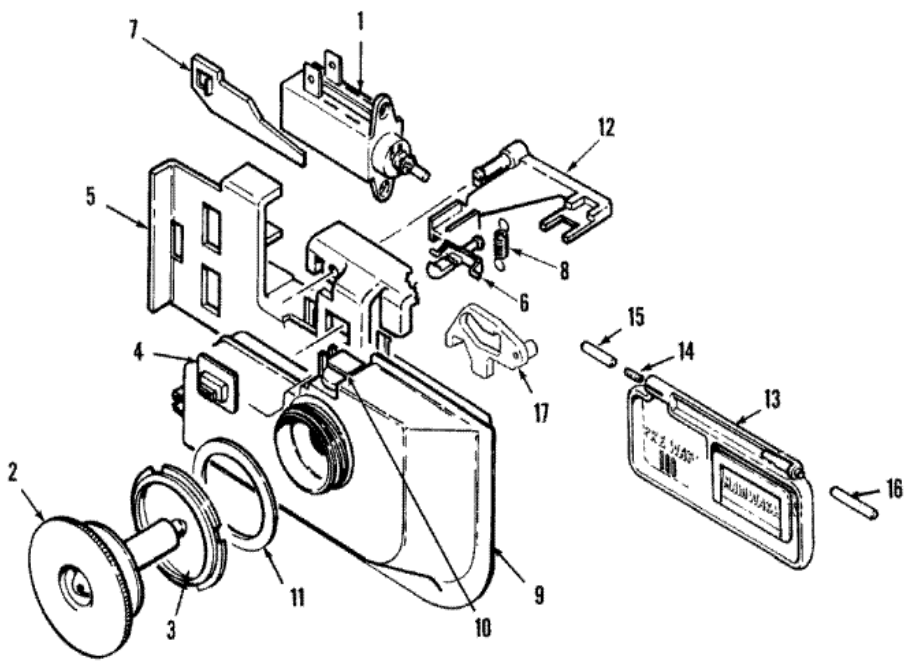


MDB5000AWW BOMBA

1	99001787	NOZZLE, JUMP UP (GRAY) (S/P)
2	99001788	ARM ASSY., WASH (LWR-GRAY) (S/P)
3	912313	RING, SEAL (S/P)
4	99001789	FILTER ASSY., SECONDARY (S/P)
5	99001790	SCREW, SECONDARY FILTER (S/P)
6	99001791	FILTER, PUMP (S/P)
7	99001748	ARM ASSY., RINSE (S/P)
8	99001426	NUT, DISCHARGE HOUSING (S/P)
9	99001422	SUPPORT, SPRAY ARM (S/P)
10	12001489	PUMP MODULE REPAIR PACKET (S/P)
11	99001792	HOUSING, DISCHARGE (UPR) (S/P)
12	910654	SCREW, IMPELLER (S/P)
13	910934	SEAL, O-RING (S/P)
14	902461	IMPELLER ASSEMBLY
15	99001793	PLATE, SUCTION (S/P)
16	99001794	SUPPORT, FILTER (S/P)
17	912510	O-RING (S/P)
18	912310	DISC, CUTTER (S/P)
19	99001081	SCREW (S/P)
20	99001795	COVER, DRAIN (S/P)
21	912317	DRAIN IMPELLER (S/P)
22	903304	DRAIN IMPELLER ASSEMBLY (S/P)
23	903303	ASSEMBLY, SEAL SEAT (S/P)
24	902882	SEAL, PUMP
25	912529	GASKET, PUMP (S/P)
26	99001934	MOTOR/PUMP HOUSING ASSY (S/P)
27	912383	DESCONTINUADO
28	99001782	HOSE, DRAIN (S/P)
29	99001774	CLAMP, HOSE (1 3/8") (S/P)
30	912612	SCREW, RELAY (S/P)
30	99001425	RELAY, MOTOR (S/P)
30	Y913156	BRACKET, RELAY (S/P)
31	Y912681	RETAINER, SNAP SPRAY (S/P)

32	912680	OUTLET, SNAP (S/P)
33	12001446	UPPER SPRAY ARM/RETAINER ASSY (S/P)
34	99001428	CAP, WASH ARM (GRAY) (S/P)
35	99002288	SHIELD, RADIANT (S/P)
36	99001796	GUARD, FILTER (GRAY) (S/P)
37	99001797	O-RING (S/P)
38	99001326	GASKET, DISCHARGE HSNG (UPR) (S/P)
39	99001798	BALL, CHECK (S/P)
40	99001799	FLAPPER, VALVE (S/P)
41	99001800	CLIP, RETAINER (S/P)
42	99001979	O-RING, PUMP THERMOSTAT (S/P)
42	99001981	THERMOSTAT, BOOST (S/P)

**MDB5000AWW DEPOSITO
DETERGENTE**





**MDB5000AWW DEPOSITO
DETERGENTE**

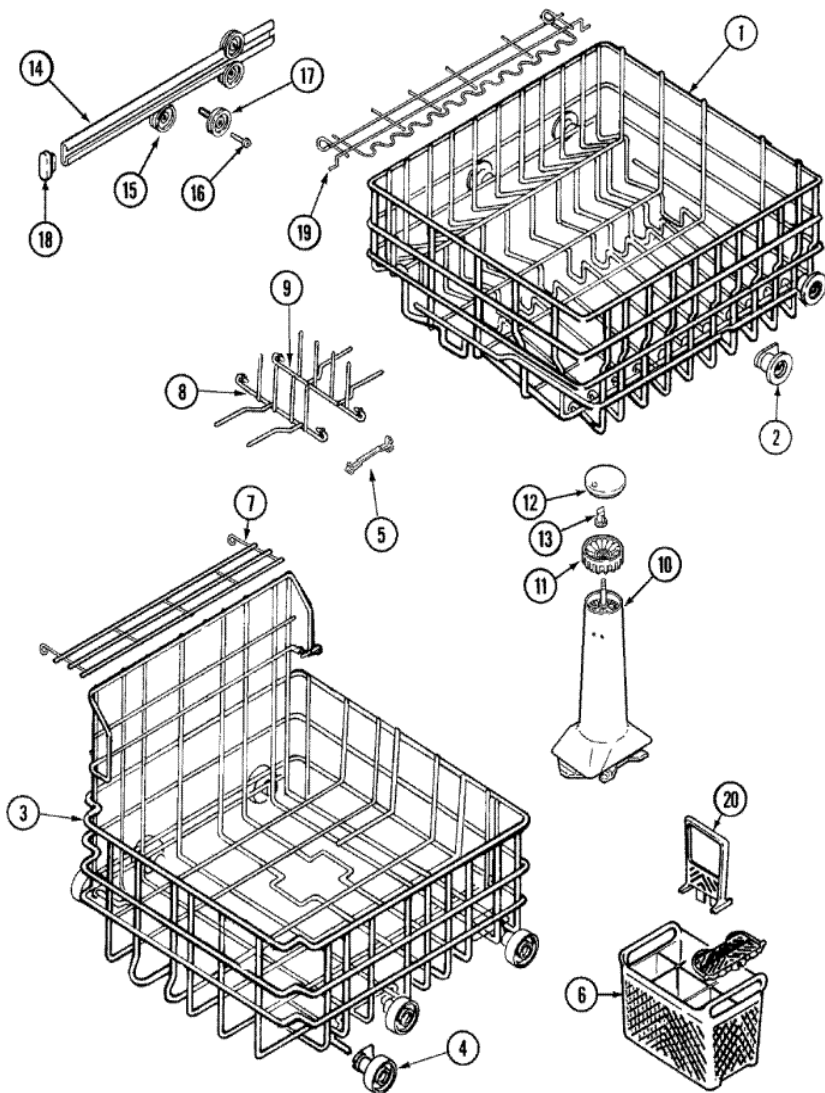
1	902899	MOTOR, WAX
2	903123	KNOB, RINSE AID (GRAY) (S/P)
3	99002005	NUT, RESERVOIR (S/P)
4	99001553	GROMMET, DISPENSER (S/P)
5	912615	SCREW, No.8X1/2 HEX WASHER HEAD (S/P)
5	99001288	RETAINER (S/P)
6	99001291	LATCH, DISPENSER (S/P)
7	99001289	SLIDER (S/P)
8	Y912676	SPRING, DISPENSER LATCH (S/P)
9	99002833	RESERVOIR, RINSE AID (S/P)
10	903124	PLUNGER ASSEMBLY (S/P)
11	99002003	GASKET, RESERVOIR (S/P)
12	99001290	ACTUATOR, RINSE AID (S/P)
13	99002354	LID, DETERGENT CUP (S/P)
14	Y912547	SPRING, CUP LID (S/P)
15	Y912679	PIN, HINGE (SHORT) (S/P)
16	Y912678	PIN, HINGE (LONG) (S/P)
17	99001287	PIVOT (S/P)

Distribuidor Autorizado

SurteRápido.com

Venta de Refacciones
Electrodomesticas

MDB500AWW CANASTA





MDB5000AWW CANASTA

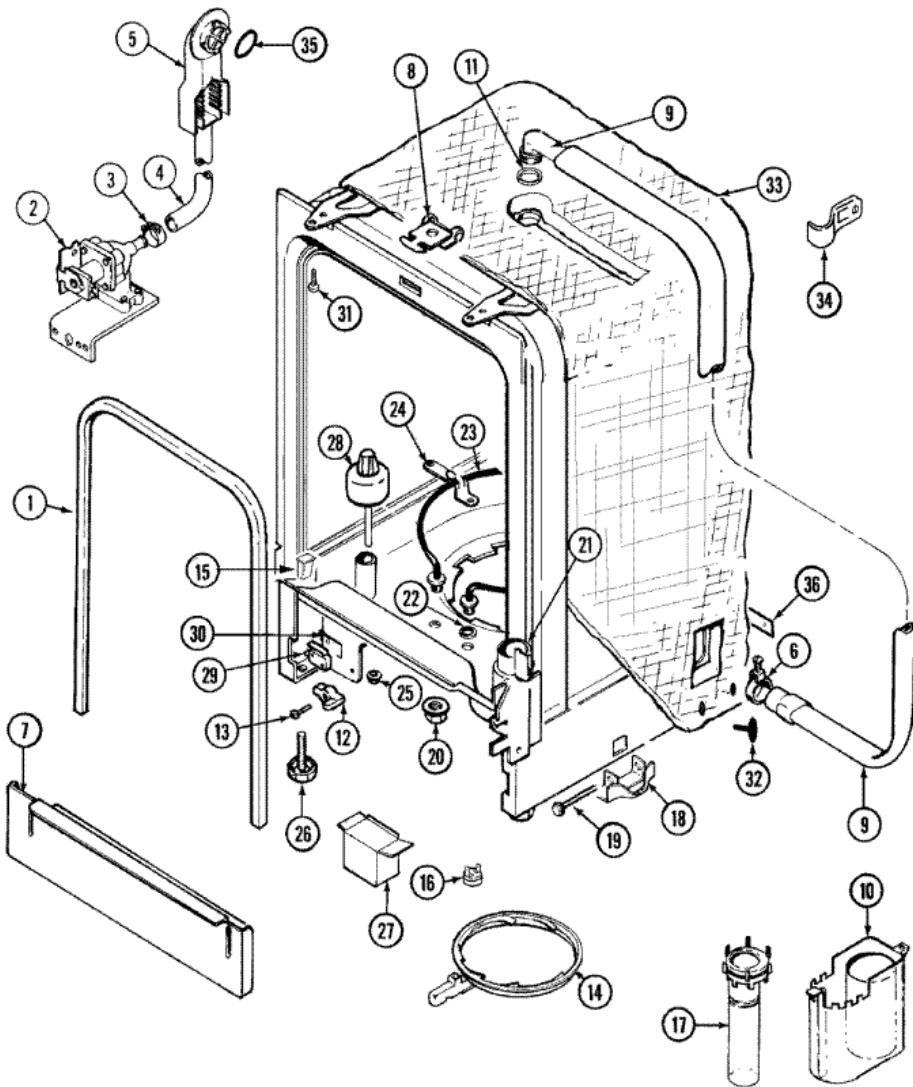
1	99001454	RACK ASSEMBLY (UPR)
2	903093	WHEEL ASSEMBLY (UPR) (S/P)
3	99002396	RACK ASSEMBLY (LWR)
4	99002780	WHEEL ASSEMBLY (LWR) (S/P)
5	Y912709	CLIP, ADJUSTABLE PEG (S/P)
6	99001751	BASKET, SILVERWARE (W/COVER) (S/P)
7	903436	SHELF, RACK (LWR) (S/P)
8	12002218	TINE, BOWL (FRT) (S/P)
9	99002138	TINE, BOWL (REAR) (S/P)
10	99003318	TOWER, SPRAY (W/SHAFT-GRAY) (S/P)
11	99001442	DIVERTER, SPRAY (GRAY) (S/P)
12	99001443	CAP, SPRAY DIVERTER (GRAY) (S/P)
13	99001426	NUT, DISCHARGE HOUSING (S/P)
14	Y912545	TRACK, RACK (S/P)
15	99002342	WHEEL, TUB (S/P)
16	99002343	SHAFT, TUB WHEEL (S/P)
17	Y912710	SLEEVE, FOLDING TINES (S/P)
18	99002135	STOP, RACK (S/P)
19	99001429	SHELF, RACK (UPR) (S/P)
20	Y912708	HANDLE, SILVERWARE BASKET (S/P)
21	99002016	CAP, RACK (WHT) (S/P)
21	99002017	CAP, RACK (LIGHT GRAY) (S/P)

Distribuidor Autorizado

SurteRápido.com

Venta de Refacciones
Electrodomesticas

MDB5000AWW TINA





MDB5000AWW TINA

1	902894	SEAL, DOOR
2	99001359	VALVE, WATER (S/P)
2	912365	SCREW (S/P)
3	911856	CLAMP, SPRING (S/P)
4	912633	HOSE, INJECTOR (S/P)
5	912533	INJECTOR, WATER (S/P)
6	99002468	CLAMP, HOSE (1 1/4") (S/P)
7	99002414	INSULATION, TOE PANEL (S/P)
7	99001106	PANEL, TOE (WHT) (S/P)
7	99001194	SCREW, ACCESS PANEL (S/P)
8	912648	SPRING, LATCH (S/P)
8	912650	RETAINER, LATCH (S/P)
8	99001355	HOOK, LATCH (S/P)
8	Y912873	SCREW, LATCH (S/P)
8	903098	DOOR LATCH HOOK ASSY (S/P)
9	912647	HOSE, TOP SHOWER (S/P)
10	Y913095	DESCONTINUADO
11	910069	WASHER, TUB TOP (S/P)
12	912014	LEVER, ACTUATOR (S/P)
13	99002531	PIN, LEVER PIVOT (S/P)
14	Y912686	RING, LOCKING (S/P)
15	99001885	DEFLECTOR, WATER (S/P)
16	99001852	THERMOSTAT, LIMITING (S/P)
16	99001008	CLIP, THERMOSTAT (S/P)
17	Y913096	TUBE, INLET (S/P)
18	912651	BRACKET, ADJUSTING (S/P)
19	912613	SCREW, ADJUSTING BRACKET (S/P)
20	912645	NUT, HEATING ELEMENT (S/P)
20	99001333	SLEEVE, INSULATING (S/P)
21	912622	SCREW (S/P)
21	Y912659	CAP, AIR INLET (S/P)
22	Y913079	O-RING, HEATER (S/P)
23	99001995	ELEMENT, HEATING (830W/650W) (S/P)

24	Y912541	BRACKET, HEATING ELEMENT (S/P)
25	911265	PALNUT, FLOAT (S/P)
26	912579	LEG, LEVELING (S/P)
27	912365	SCREW (S/P)
27	912563	BOX, TERMINAL (S/P)
27	400321	CLAMP, CABLE (S/P)
28	99002363	FLOAT (S/P)
29	99002560	SWITCH, WATER LEVEL (S/P)
29	912012	SCREW (S/P)
30	912365	SCREW (S/P)
30	912656	BRACKET, WATER LEVEL SWITCH (S/P)
31	912799	SCREW, CABINET MOUNT (S/P)
32	911917	FASTENER, INSULATION (S/P)
33	99002695	INSULATION, TUB (S/P)
33	99001057	FASTENER, PANEL (S/P)
33	99001076	STRAP, INSULATION (S/P)
33	912749	DESCONTINUADO
33	99002695	INSULATION, TUB (BACK) (S/P)
33	99002566	DAMPER, SOUND (TOP-BACK) (S/P)
34	Y912790	HOOK, DRAIN HOSE (S/P)
35	912644	SEAL RING, INJECTOR (S/P)
36	912654	STRAP, SUPPORT (S/P)
36	912365	SCREW (S/P)