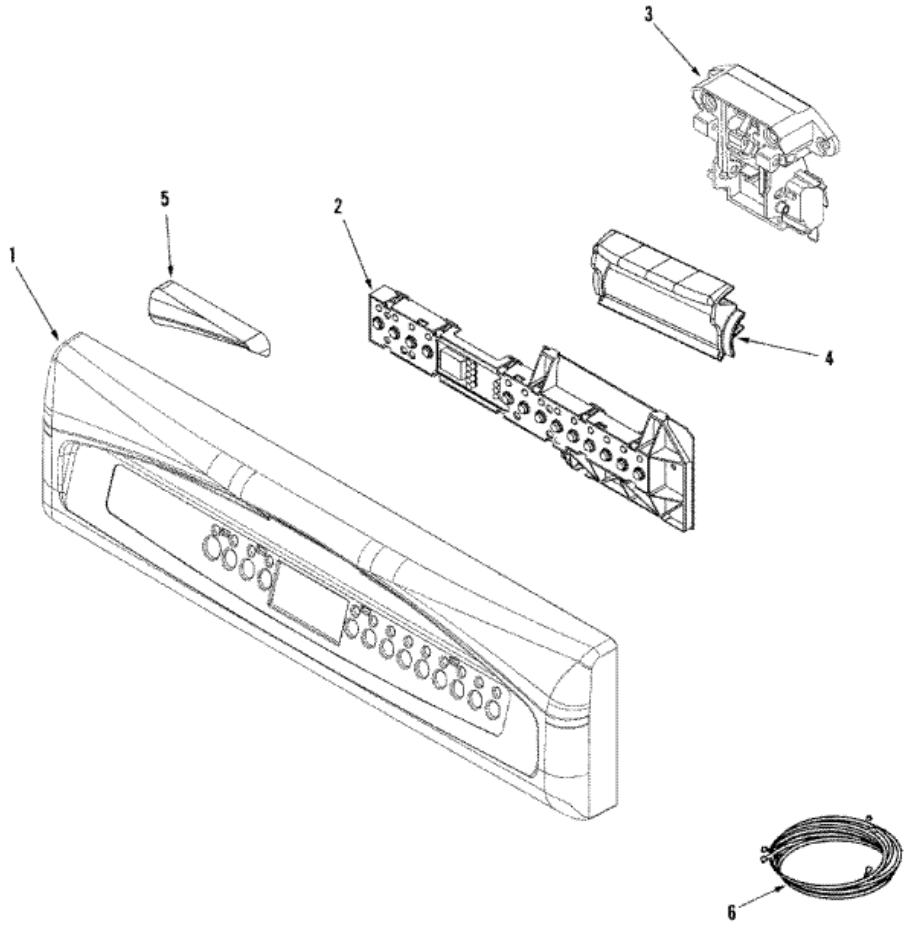


**MDB6650AWS CONTROL PANEL**





## MDB6650AWS CONTROL PANEL

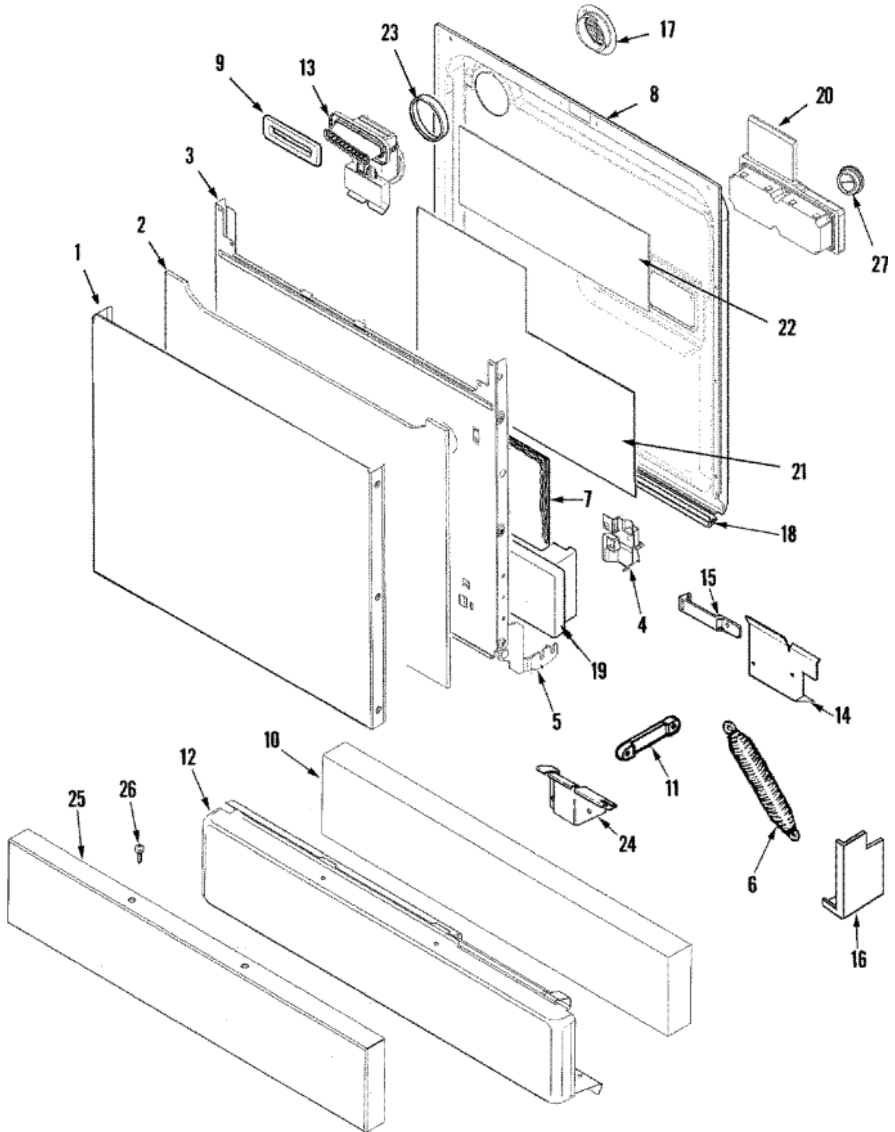
1	912615	SCREW, No.8X1/2 HEX WASHER HEAD <b>(S/P)</b>
1	99002302	PANEL, CONTROL (BLK) <b>(S/P)</b>
2	99002828	PCB ASSEMBLY (9-BUTTON) <b>(S/P)</b>
2	912615	SCREW, No.8X1/2 HEX WASHER HEAD <b>(S/P)</b>
3	99002292	LATCH ASSEMBLY
3	912615	SCREW, No.8X1/2 HEX WASHER HEAD <b>(S/P)</b>
4	99002836	HANDLE, LATCH (BLK) <b>(S/P)</b>
5	99002291	INSERT, VENT <b>(S/P)</b>
6	99002487	HARNESS, WIRE <b>(S/P)</b>
6	99002265	HARNESS, WIRE <b>(S/P)</b>
7	99002463	MANUAL, USE & CARE (TRILINGL) <b>(S/P)</b>

Distribuidor Autorizado

SurteRápido.com

Venta de Refacciones  
Electrodomesticas

## MDB6650AWS DOOR





## MDB6650AWS DOOR

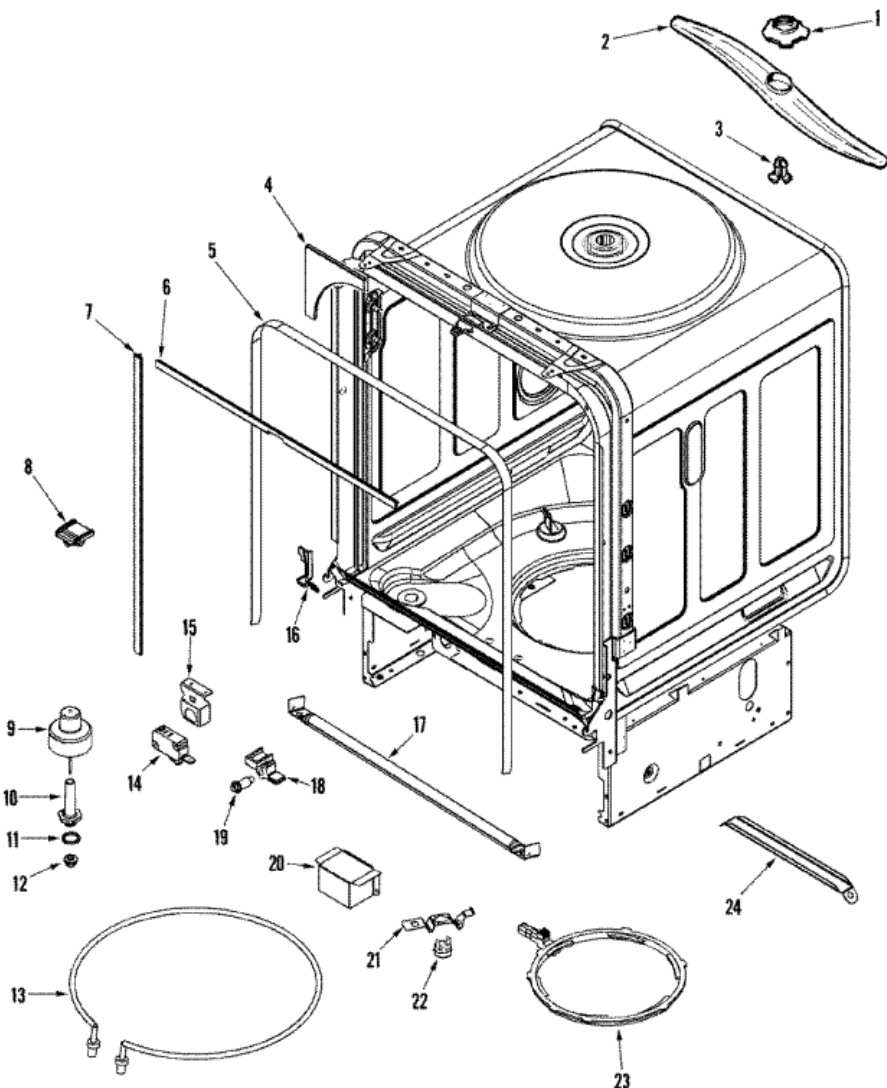
1	99002169	PANEL, DECORATOR (STNLS) (S/P)
2	99001415	FILLER, FRONT PANEL (S/P)
3	99002570	DOOR, OUTER (S/P)
4	99002188	RETAINER, WIRE (S/P)
5	99001898	HINGE (LT) (S/P)
5	99001899	HINGE (RT) (S/P)
6	912652	SPRING, DOOR (S/P)
7	99002410	INSULATION, DOOR (S/P)
8	Y912620	SCREW (S/P)
8	99002157	DOOR, INNER (S/P)
9	99002185	SEAL, VENT (S/P)
10	99002413	INSULATION, ACCESS PANEL (S/P)
11	912653	LINK, DOOR SPRING (S/P)
12	912636	PANEL, ACCESS (BLK) (S/P)
12	99001205	SEAL, ACCESS PANEL (S/P)
12	99002548	DAMPER, ACCESS PANEL (S/P)
13	99002177	VENT ASSEMBLY (S/P)
14	912366	SCREW (S/P)
14	99003025	SHIELD, TUB (BLK) (S/P)
16	Y912809	SHIELD, ACCESS PANEL (RT) (S/P)
16	Y912810	SHIELD, ACCESS PANEL (LT) (S/P)
17	99002178	BEZEL, DOOR VENT (S/P)
18	99002158	SEAL, DOOR (BOTTOM) (S/P)
19	99002174	BARRIER, CONDENSATION (S/P)
20	99002180	DETERGENT/RINSE AID ASSEMBLY (S/P)
20	99002270	SEAL, BASE (S/P)
20	99002465	BRACKET, DISPENSER (S/P)
21	99002933	DAMPER, DOOR (CTR) (S/P)
22	99002693	DAMPER, DOOR (TOP) (S/P)
23	99002186	SEAL, DOOR VENT (S/P)
24	99003022	COVER, WIRE (BLK) (S/P)
25	99002204	CAP, ACCESS PANEL (STNLS) (S/P)
27	99002269	KNOB, RINSE AID (S/P)

Distribuidor Autorizado

SurteRápido.com

Venta de Refacciones  
Electrodomesticas

## MDB6650AWS INNER TUB

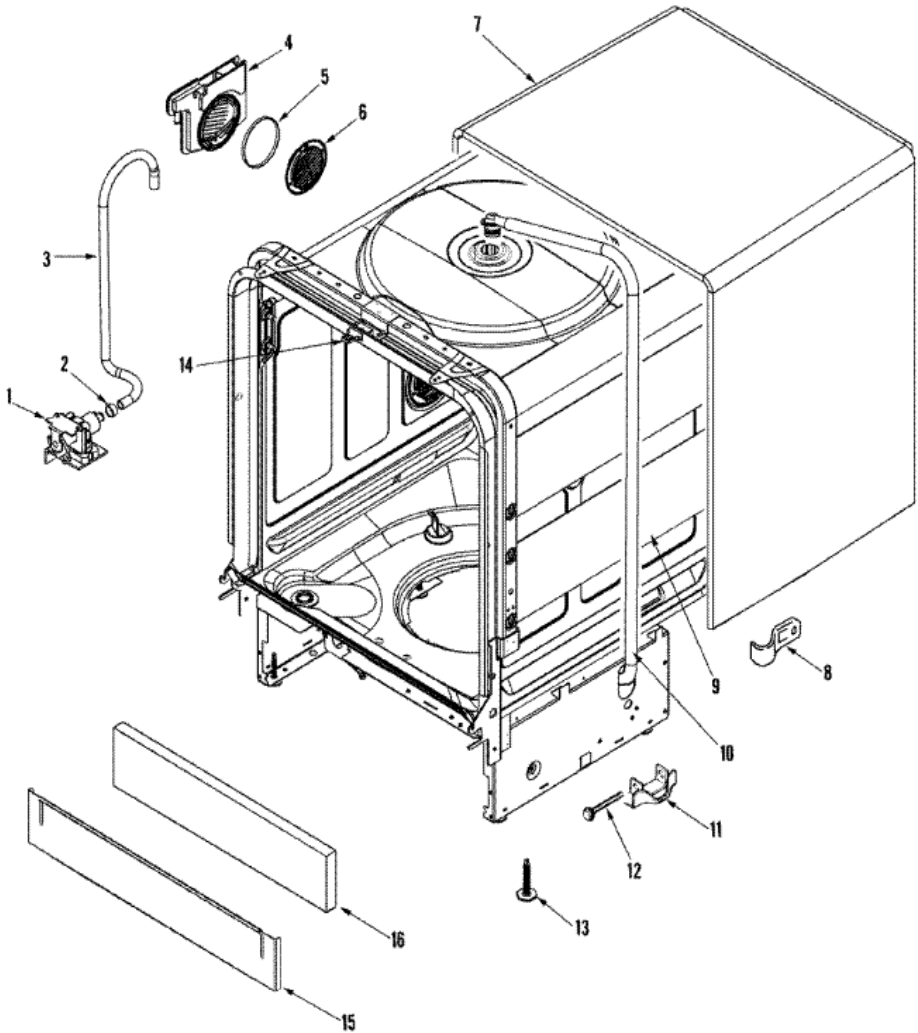




**MDB6650AWS INNER TUB**

1	912680	OUTLET, SNAP (S/P)
2	99002061	ARM, WASH (UPR-GRAY) (S/P)
3	Y912681	RETAINER, SNAP SPRAY (S/P)
4	99002162	TRIM, CORNER (TOP) (S/P)
5	99002140	SEAL, DOOR (S/P)
6	99002163	TRIM, EDGE (TOP/BTM) (S/P)
7	99002165	TRIM, EDGE (SIDES) (S/P)
8	99002159	BRACKET, DOOR CENTERING (S/P)
9	99002221	FLOAT (S/P)
10	99002145	STANDPIPE, FLOAT (S/P)
11	99002146	SEAL, STANDPIPE (S/P)
12	99002147	NUT, STANDPIPE (S/P)
13	99002360	ELEMENT, HEATING (S/P)
13	99001333	SLEEVE, INSULATING (S/P)
13	Y913079	O-RING, HEATER (S/P)
13	99002208	NUT, HEATING ELEMENT (S/P)
14	912012	SCREW (S/P)
14	99002560	SWITCH, WATER LEVEL CONTROL (S/P)
15	912365	SCREW (S/P)
15	99001727	BRACKET, WATER LEVEL SWITCH (S/P)
16	99002181	EDGE, DRIP (RT) (S/P)
16	99002182	EDGE, DRIP (LT) (S/P)
17	99002190	BRACE, BOTTOM (S/P)
18	912014	LEVER, ACTUATOR (S/P)
19	99002531	PIN, LEVER PIVOT (S/P)
20	912365	SCREW (S/P)
20	912563	BOX, TERMINAL (S/P)
20	400321	CLAMP, CABLE (S/P)
21	99001008	CLIP, THERMOSTAT (S/P)
22	99001852	THERMOSTAT, LIMITING (S/P)
23	99002161	RATCHET, LOCK RING (S/P)
23	Y912686	RING, LOCKING (S/P)
24	99002173	GUSSET, TUB SUPPORT (S/P)

**MDB6650AWS OUTER TUB**





## MDB6650AWS OUTER TUB

1	912365	SCREW (S/P)
1	99001359	VALVE, WATER (S/P)
2	911856	CLAMP, SPRING (S/P)
3	99002160	HOSE, INJECTOR (S/P)
4	99002148	AIR/WATER INLET ASSEMBLY (S/P)
5	99002150	SEAL, AIR/WATER INLET (S/P)
6	99002149	GRILL, AIR/WATER INLET (S/P)
7	99002695	INSULATION ASSEMBLY (S/P)
7	911917	FASTENER, INSULATION (S/P)
8	Y912790	HOOK, DRAIN HOSE (S/P)
9	99002934	DAMPER (6`` X 18``) (S/P)
9	99002933	DAMPER (4`` X 12``) (S/P)
10	99002468	CLAMP, HOSE (1 1/4``) (S/P)
10	99002170	SEAL, SHOWER HOSE (S/P)
10	912647	HOSE, TOP SHOWER (S/P)
11	912651	BRACKET, ADJUSTING (S/P)
12	912613	SCREW, ADJUSTING BRACKET (S/P)
13	912579	LEG, LEVELING (S/P)
14	99002141	STRIKER, LATCH (S/P)
15	912366	SCREW (S/P)
15	912640	PANEL, TOE (BLK) (S/P)
16	99002414	INSULATION, TOE PANEL (S/P)

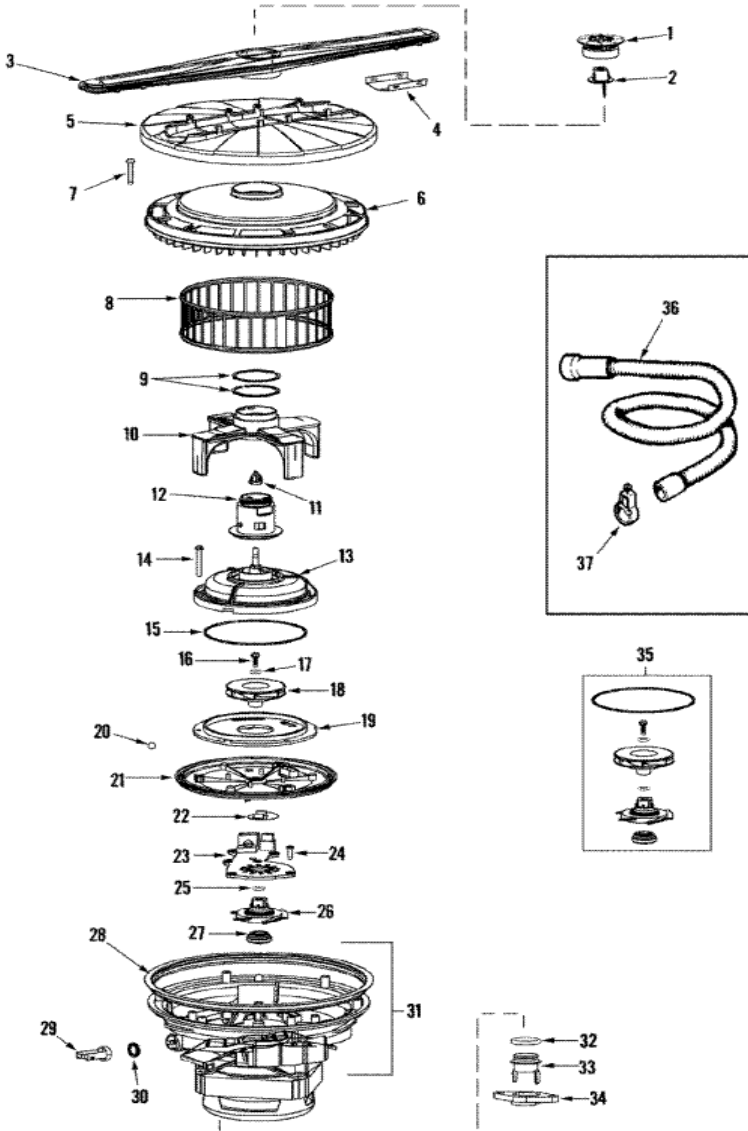


Distribuidor Autorizado

SurteRápido.com

Venta de Refacciones  
Electrodomesticas

# MDB6650AWS PUMP & MOTOR

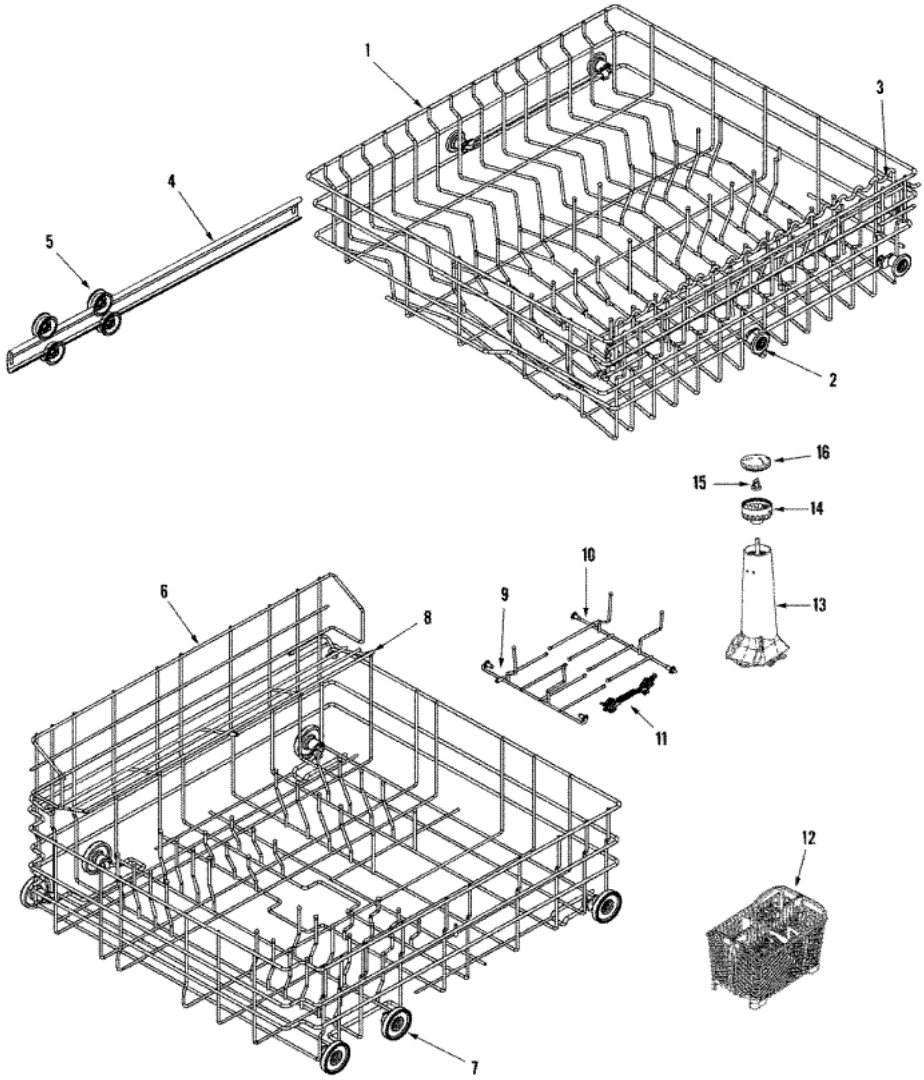




## MDB6650AWS PUMP & MOTOR

1	99001428	CAP, WASH ARM (GRAY) (S/P)
2	99001787	NOZZLE, JUMP UP (GRAY) (S/P)
3	99001788	ARM ASSY., WASH (LWR-GRAY) (S/P)
4	99002288	SHIELD, RADIANT (S/P)
5	99001796	GUARD, FILTER (GRAY) (S/P)
6	99001789	FILTER ASSY., SECONDARY (S/P)
8	99001791	FILTER, PUMP (S/P)
9	912313	RING, SEAL (S/P)
10	99002043	ASSEMBLY, RINSE ARM (S/P)
11	99001426	NUT, DISCHARGE HOUSING (S/P)
12	99002041	SUPPORT, WASH ARM (S/P)
13	99002461	DISCHARGE HOUSING ASSY (UPR) (S/P)
15	99001326	GASKET, DISCHARGE HSNG (UPR) (S/P)
17	910934	SEAL, O-RING (S/P)
18	99002069	IMPELLER ASSEMBLY (S/P)
19	99002279	PLATE, SUCTION (S/P)
20	99002281	BALL, CHECK (S/P)
21	99002280	SUPPORT, FILTER (S/P)
22	912310	DISC, CUTTER (S/P)
23	99001795	COVER, DRAIN (S/P)
24	99001081	SCREW (S/P)
25	912510	O-RING (S/P)
26	903304	DRAIN IMPELLER ASSEMBLY (S/P)
27	902882	SEAL, PUMP
28	912529	GASKET, PUMP (S/P)
29	99001800	CLIP, RETAINER (S/P)
30	99001799	FLAPPER, VALVE (S/P)
31	99002481	MOTOR/PUMP HOUSING ASSEMBLY (S/P)
32	99001979	O-RING, PUMP THERMOSTAT (S/P)
33	99002565	THERMISTOR (S/P)
34	99001980	FLANGE, THERMOSTAT/THERMISTOR (S/P)
35	99002103	SEAL KIT (MOTOR/PUMP) (S/P)
36	99002175	HOSE, DRAIN (S/P)

# MDB6650AWS TRACK & RACK ASSEMBLY





## MDB6650AWS TRACK & RACK ASSEMBLY

1	99002193	BUMPER, RACK (S/P)
1	99001454	RACK ASSEMBLY (UPR)
2	903093	WHEEL ASSEMBLY (UPR) (S/P)
3	99001429	SHELF, RACK (UPR) (S/P)
4	99002135	STOP, RACK (GRAY) (S/P)
4	Y912545	TRACK, RACK (S/P)
5	99002343	SHAFT, TUB WHEEL (S/P)
5	99002183	WHEEL, TUB (S/P)
5	Y912798	WASHER, TUB WHEEL (S/P)
6	99002199	RACK ASSEMBLY (LWR) (S/P)
7	99003149	WHEEL ASSEMBLY (LWR) (S/P)
8	903436	SHELF, RACK (LWR) (S/P)
9	Y912710	SLEEVE, FOLDING TINES (S/P)
9	12002218	TINE, BOWL (FRT) (S/P)
10	Y912710	SLEEVE, FOLDING TINES (S/P)
10	99002138	TINE, BOWL (REAR) (S/P)
11	Y912709	CLIP, ADJUSTABLE PEG (S/P)
12	99002028	BASKET, SPLIT & FIT (W/COVER) (S/P)
12	99002031	COVER, BASKET (S/P)
12	99002684	BASKET/HALF, SILVERWARE (S/P)
13	99003318	TOWER, SPRAY (W/SHAFT-GRAY) (S/P)
14	99001442	DIVERTER, SPRAY (GRAY) (S/P)
15	99001426	NUT, DISCHARGE HOUSING (S/P)
16	99001443	CAP, SPRAY DIVERTER (GRAY) (S/P)
17	99002017	CAP, RACK (LIGHT GRAY) (S/P)