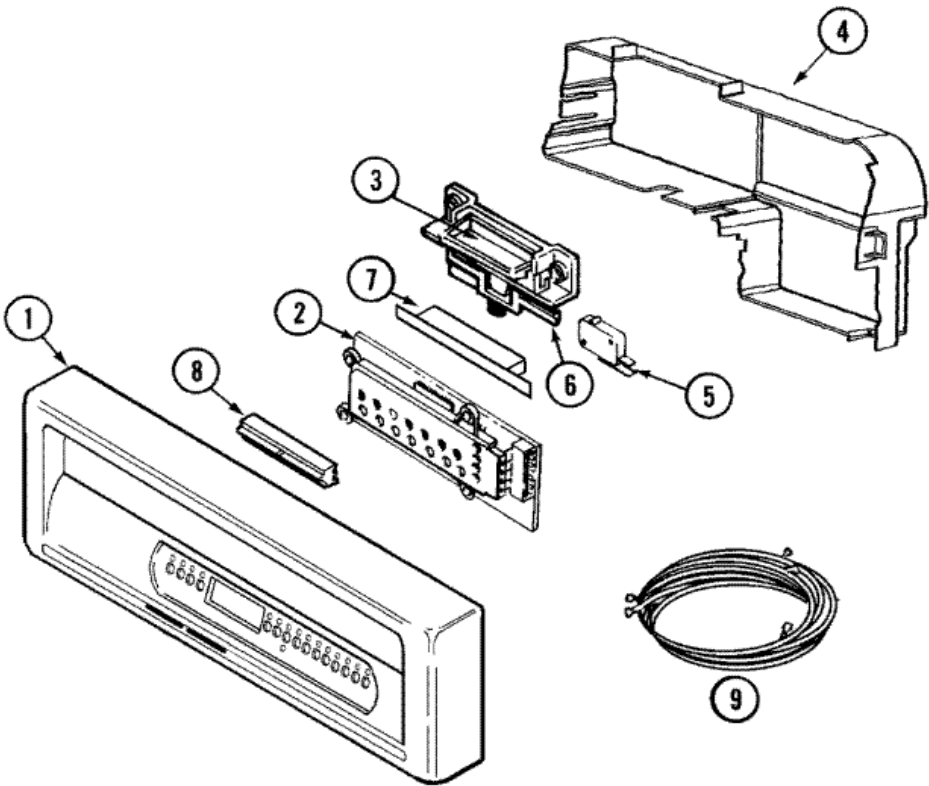


MDB7100AWW TABLERO

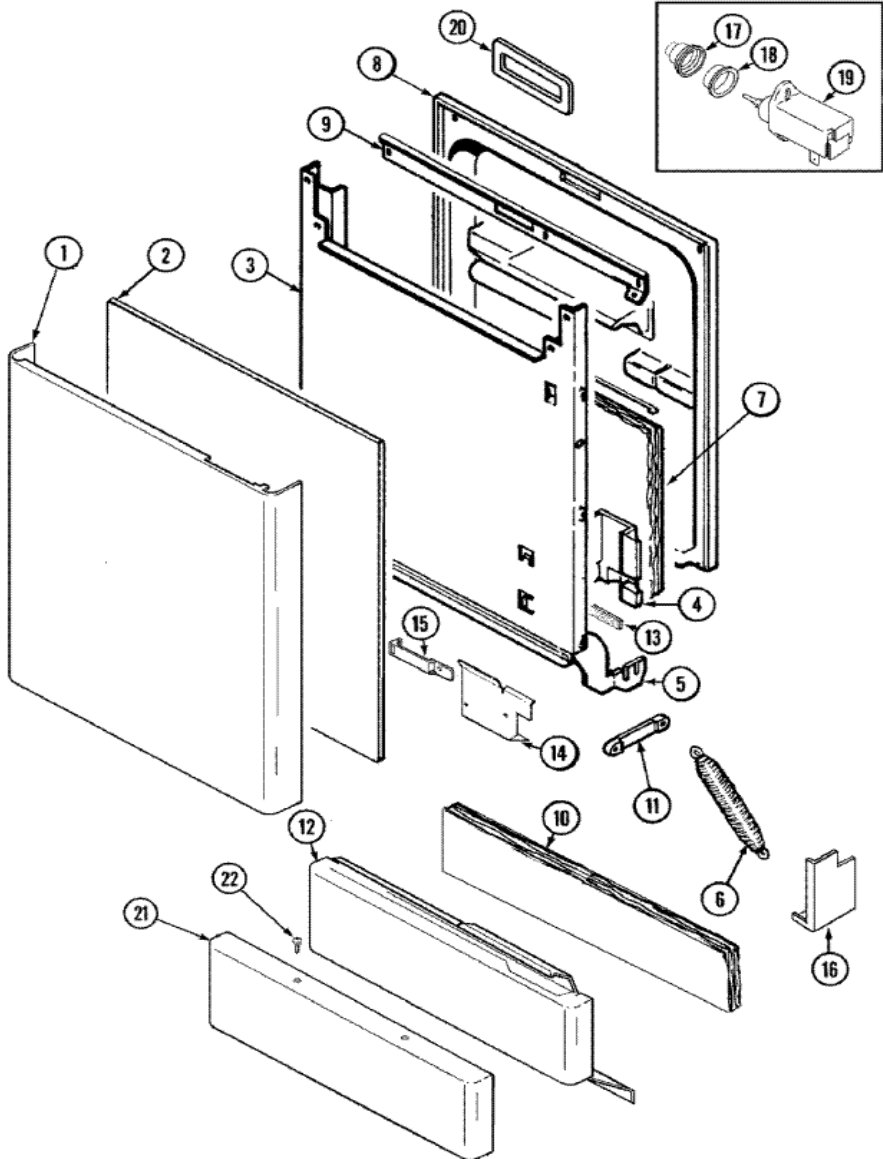




MDB7100AWW TABLERO

1	912615	SCREW, No.8X1/2 HEX WASHER HEAD (S/P)
1	99002090	PANEL, CONTROL (WHT) (S/P)
2	99002824	PCB ASSEMBLY (11-BUTTON) (S/P)
2	12001718	DESCONTINUADO
2	912615	SCREW, No.8X1/2 HEX WASHER HEAD (S/P)
2	99002824	PCB ASSEMBLY (11-BUTTON) (S/P)
2	99002268	BARRIER, MOISTURE (S/P)
2	99002824	PCB ASSEMBLY (S/P)
3	912615	SCREW, No.8X1/2 HEX WASHER HEAD (S/P)
3	99002240	HOLDER, SWITCH (S/P)
3	99002254	HOLDER, DOOR SWITCH (S/P)
4	99002080	BARRIER, CONTROL PANEL (S/P)
5	99002207	SWITCH, DOOR (S/P)
6	99002085	HANDLE, LATCH (WHT) (S/P)
6	99001402	FOAM, LATCH HANDLE (S/P)
6	99001401	PAD, LATCH (S/P)
7	99001420	LINER, HANDLE HOLE (S/P)
8	99002009	INSERT, VENT LINER (S/P)
9	99002237	HARNESS, WIRE (S/P)
9	99002264	HARNESS, WIRE (S/P)
9	99002237	HARNESS, WIRE (S/P)
9	99002486	HARNESS, WIRE (S/P)
9	99002104	WIRE, JUMPER (MOTOR) (S/P)

MDB7100AWW PUERTA





MDB7100AWW PUERTA

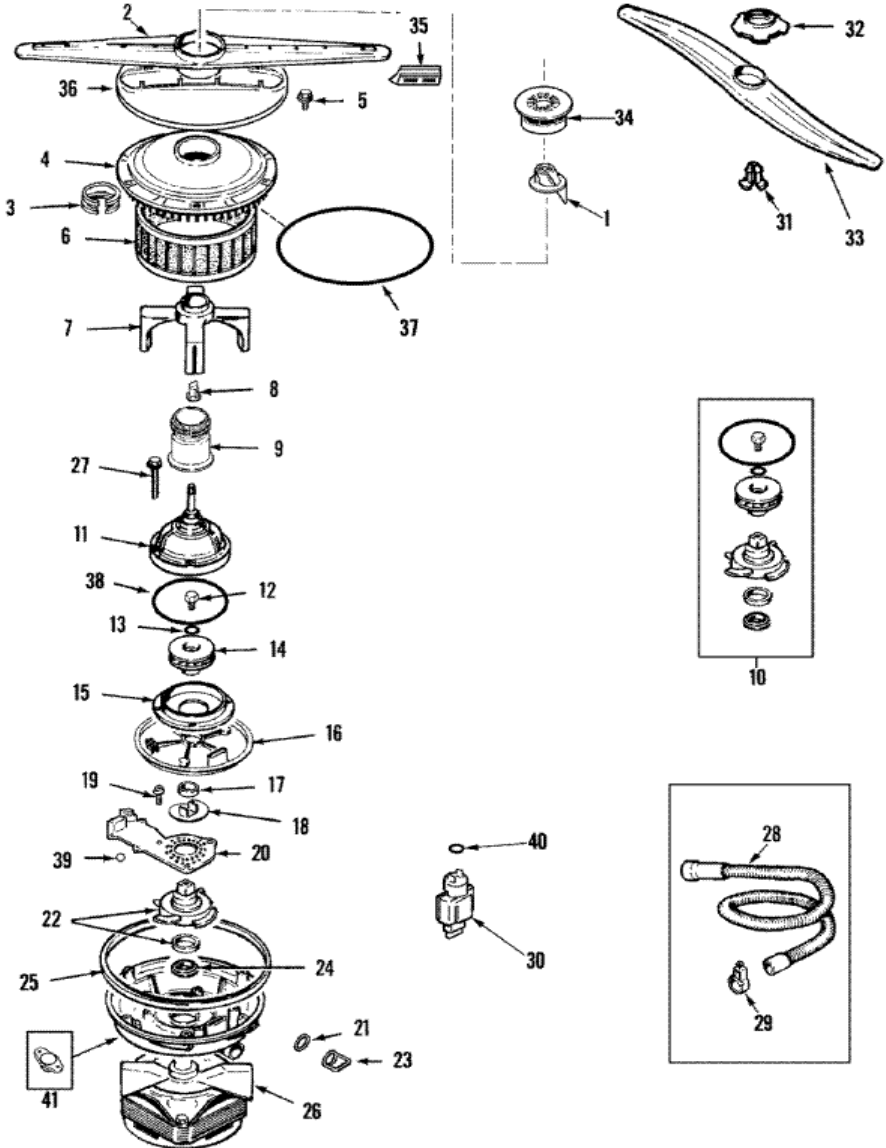
1	99001416	PANEL, DECORATOR (WHT)
1	99001445	SCREW, DECORATOR PANEL (WHT) (S/P)
2	99001415	FILLER, FRONT PANEL (S/P)
3	99001688	GROUND WIRE, REINFORCEMENT (S/P)
3	99002570	DOOR, OUTER (S/P)
4	912615	SCREW, No.8X1/2 HEX WASHER HEAD (S/P)
4	Y912666	RETAINER, WIRE (S/P)
4	99002362	SPACER, FOAM (S/P)
5	99001898	HINGE (LT) (S/P)
5	99001899	HINGE (RT) (S/P)
6	99002469	SPRING, DOOR (S/P)
7	99002411	INSULATION, DOOR (S/P)
8	99002547	DAMPER, SOUND (BTM) (S/P)
8	99003680	DOOR, INNER (W/VENT ASSY) (S/P)
8	99002383	DOOR, INNER (S/P)
9	Y912668	BAR, REINFORCEMENT (S/P)
10	99002413	INSULATION, ACCESS PANEL (S/P)
10	99002548	DAMPER, ACCESS PANEL (S/P)
11	912653	LINK, DOOR SPRING (S/P)
12	99001194	SCREW, ACCESS PANEL (S/P)
12	99001205	SEAL, ACCESS PANEL (S/P)
12	99002060	PANEL, ACCESS (WHT) (S/P)
13	903233	FOAM STRIP, INSULATION (S/P)
14	99003025	SHIELD, TUB (S/P)
14	3347868	STRAP, CABLE (S/P)
15	99001444	STRAP, HARNESS (S/P)
16	Y912809	SHIELD, ACCESS PANEL (RT) (S/P)
16	Y912810	SHIELD, ACCESS PANEL (LT) (S/P)
17	99001805	GROMMET, VENT (S/P)
18	99001806	RETAINER, GROMMET (S/P)
19	99001807	MOTOR, WAX (S/P)
20	99001783	SEAL, VENT BACK (S/P)

Distribuidor Autorizado

SurteRápido.com

Venta de Refacciones
Electrodomesticas

MDB7100AWW MOTOR-BOMBA





MDB7100AWW MOTOR-BOMBA

3	912313	RING, SEAL (S/P)
4	99001789	FILTER ASSY., SECONDARY (S/P)
5	99001790	SCREW, SECONDARY FILTER (S/P)
6	99001791	FILTER, PUMP (S/P)
7	99002043	ASSEMBLY, RINSE ARM (S/P)
8	99001426	NUT, DISCHARGE HOUSING (S/P)
9	99002041	SUPPORT, WASH ARM (S/P)
10	99002103	SEAL KIT (MOTOR/PUMP) (S/P)
11	99002461	DISCHARGE HOUSING ASSY (UPR) (S/P)
12	910654	SCREW, IMPELLER (S/P)
13	910934	SEAL, O-RING (S/P)
14	99002069	IMPELLER ASSEMBLY (S/P)
15	99002279	PLATE, SUCTION (S/P)
15	99001793	PLATE, SUCTION (S/P)
16	99001794	SUPPORT, FILTER (S/P)
16	99002280	SUPPORT, FILTER (S/P)
17	912510	O-RING (S/P)
18	912310	DISC, CUTTER (S/P)
19	99001081	SCREW (S/P)
20	99001795	COVER, DRAIN (S/P)
21	99001799	FLAPPER, VALVE (S/P)
22	903304	DRAIN IMPELLER ASSEMBLY (S/P)
23	99001800	CLIP, RETAINER (S/P)
24	902882	SEAL, PUMP
25	912529	GASKET, PUMP (S/P)
26	99002089	MOTOR&PUMP HOUSING ASSEMBLY (S/P)
26	99002482	MOTOR/PUMP HOUSING ASSEMBLY (S/P)
27	912383	DESCONTINUADO
28	99001782	HOSE, DRAIN (S/P)
29	99001774	CLAMP, HOSE (1 3/8``) (S/P)
30	99002071	DESCONTINUADO
31	Y912681	RETAINER, SNAP SPRAY (S/P)
32	912680	OUTLET, SNAP (S/P)

33	99002418	ARM, WASH (UPR-WHT) (S/P)
34	99001428	CAP, WASH ARM (GRAY) (S/P)
35	99002288	SHIELD, RADIANT (S/P)
36	99001796	GUARD, FILTER (GRAY) (S/P)
37	99001797	O-RING (S/P)
38	99001326	GASKET, DISCHARGE HSNG (UPR) (S/P)
39	99001798	BALL, CHECK (S/P)
39	99002281	BALL, CHECK (S/P)
40	99001888	SEAL, SENSOR (S/P)
41	99001979	O-RING, PUMP THERMOSTAT (S/P)
41	912615	SCREW, No.8X1/2 HEX WASHER HEAD (S/P)
41	99001980	FLANGE, THERMOSTAT/THERMISTOR (S/P)
41	99002565	THERMISTOR (S/P)
42	99002104	WIRE, JUMPER (MOTOR) (S/P)

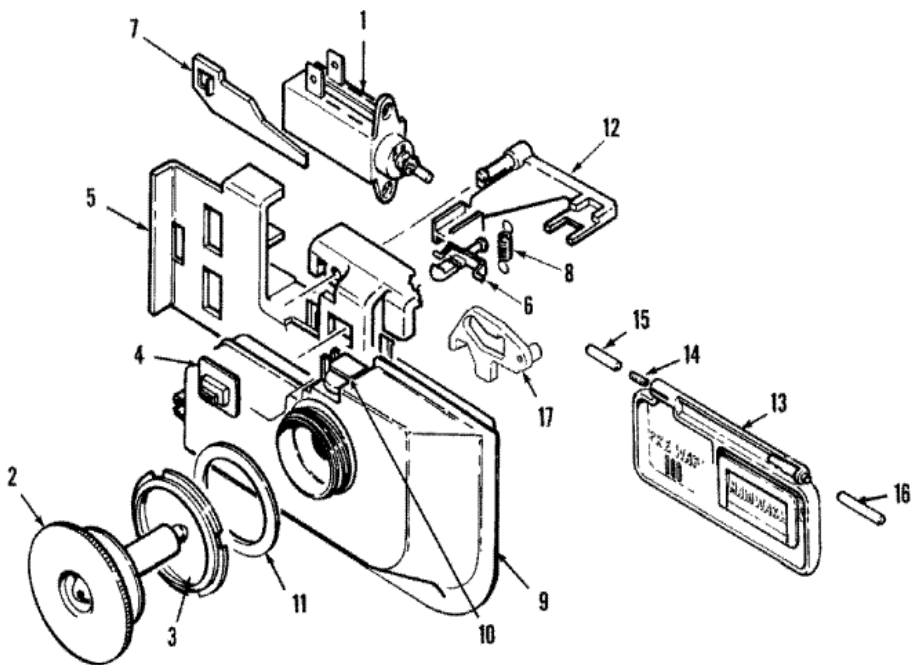
Distribuidor Autorizado

SurteRápido.com

Venta de Refacciones
Electrodomesticas



MDB7100AWW DEPOSITO DETERGENTE





**MDB7100AWW DEPOSITO
DETERGENTE**

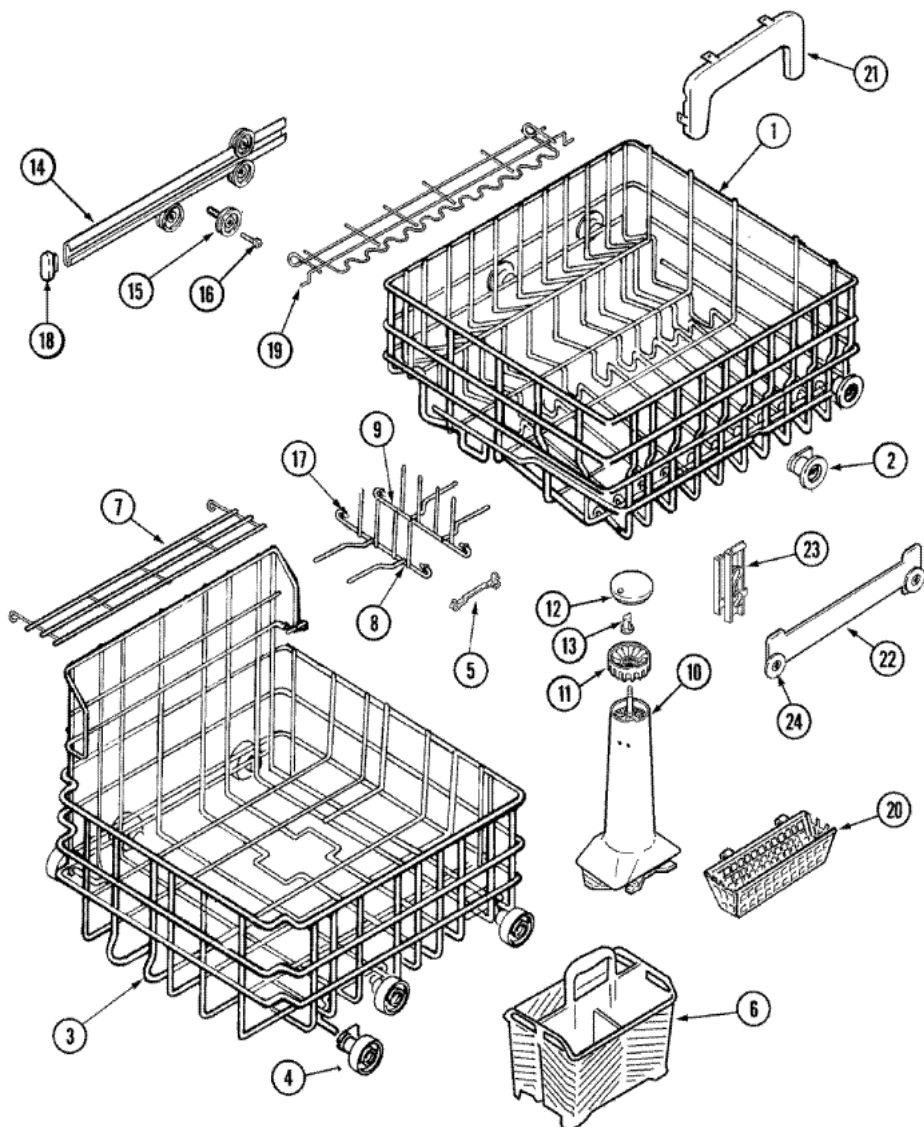
1	902899	MOTOR, WAX
2	903123	KNOB, RINSE AID (GRAY) (S/P)
3	99002005	NUT, RESERVOIR (S/P)
4	99001553	GROMMET, DISPENSER (S/P)
5	912615	SCREW, No.8X1/2 HEX WASHER HEAD (S/P)
5	99001288	RETAINER (S/P)
6	99001291	LATCH, DISPENSER (S/P)
7	99001289	SLIDER (S/P)
8	Y912676	SPRING, DISPENSER LATCH (S/P)
9	99002833	RESERVOIR, RINSE AID (S/P)
10	903124	PLUNGER ASSEMBLY (S/P)
11	99002003	GASKET, RESERVOIR (S/P)
12	99001290	ACTUATOR, RINSE AID (S/P)
13	99002354	LID, DETERGENT CUP (S/P)
14	Y912547	SPRING, CUP LID (S/P)
15	Y912679	PIN, HINGE (SHORT) (S/P)
16	Y912678	PIN, HINGE (LONG) (S/P)
17	99001287	PIVOT (S/P)

Distribuidor Autorizado

SurteRápido.com

Venta de Refacciones
Electrodomesticas

MDB7100AWW CANASTA





MDB7100AWW CANASTA

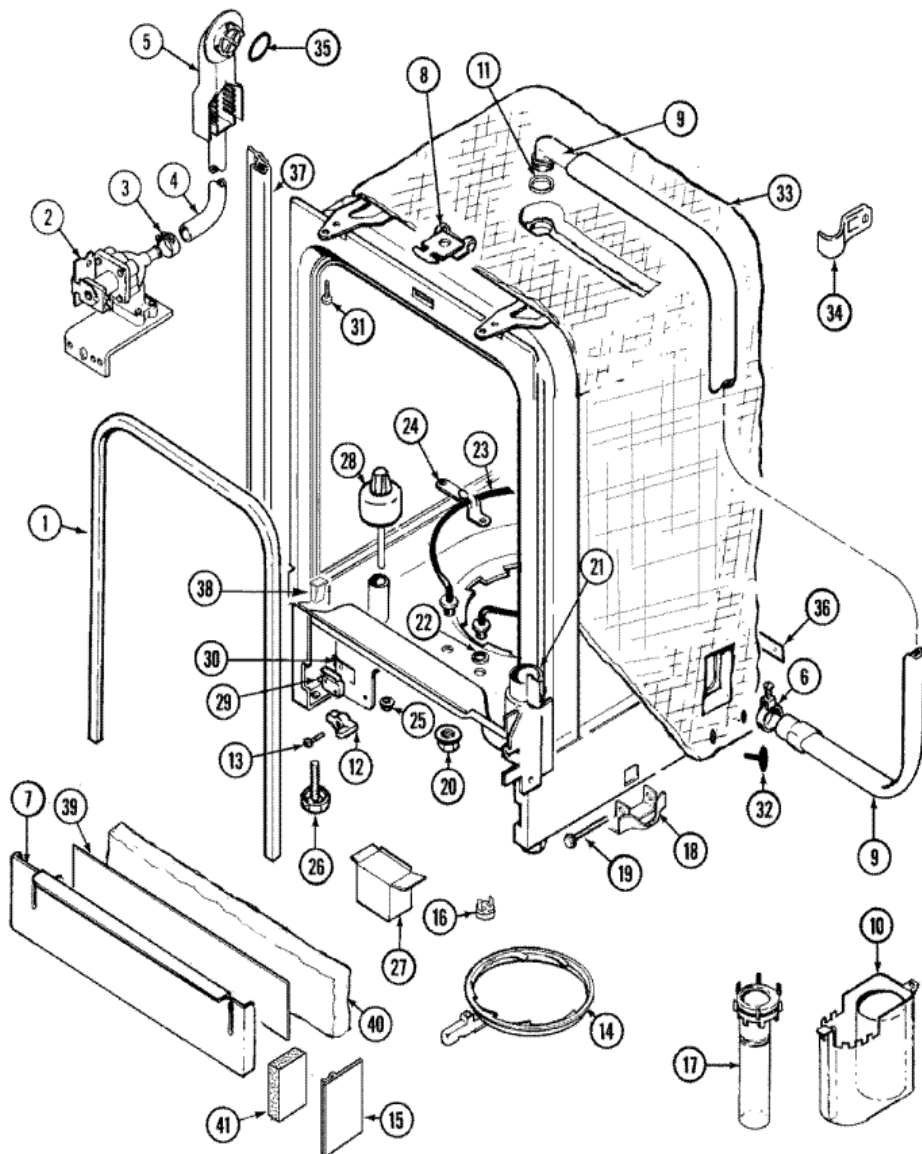
1	99001454	RACK ASSEMBLY (UPR)
2	903093	WHEEL ASSEMBLY (UPR) (S/P)
3	99002387	RACK, LOWER (S/P)
4	99002780	WHEEL ASSEMBLY (LWR) (S/P)
5	Y912709	CLIP, ADJUSTABLE PEG (S/P)
6	99002031	COVER, BASKET (S/P)
6	99002028	BASKET, SPLIT & FIT (W/COVER) (S/P)
6	99002684	BASKET/HALF, SILVERWARE (S/P)
7	99002139	SHELF, RACK (LWR) (S/P)
8	99002138	TINE, BOWL (REAR) (S/P)
9	99002137	TINE, BOWL (FRT) (S/P)
10	99003318	TOWER, SPRAY (W/SHAFT-GRAY) (S/P)
11	99001442	DIVERTER, SPRAY (GRAY) (S/P)
12	99001443	CAP, SPRAY DIVERTER (GRAY) (S/P)
13	99001426	NUT, DISCHARGE HOUSING (S/P)
14	Y912545	TRACK, RACK (S/P)
15	Y912798	WASHER, TUB WHEEL (S/P)
15	99002342	WHEEL, TUB (S/P)
16	99002343	SHAFT, TUB WHEEL (S/P)
17	Y912710	SLEEVE, FOLDING TINES (S/P)
18	99002135	STOP, RACK (GRAY) (S/P)
19	99001429	SHELF, RACK (UPR) (S/P)
20	99002075	BASKET, AUXILLARY (S/P)
21	99002108	HANDLE, RACK (RT) (S/P)
21	99002107	HANDLE, RACK (LT) (S/P)
22	99002072	STRIP, WHEEL MOUNTING (S/P)
23	99002073	PLATE, WHEEL MOUNTING (S/P)
24	99002106	WHEEL, MOUNTING STRIP (S/P)
25	99002017	CAP, RACK (LIGHT GRAY) (S/P)

Distribuidor Autorizado

SurteRápido.com

Venta de Refacciones
Electrodomesticas

MDB7100AWW TINA





MDB7100AWW TINA

1	902894	SEAL, DOOR
2	99001359	VALVE, WATER (S/P)
2	912365	SCREW (S/P)
3	911856	CLAMP, SPRING (S/P)
4	912633	HOSE, INJECTOR (S/P)
5	912533	INJECTOR, WATER (S/P)
6	99002468	CLAMP, HOSE (1 1/4") (S/P)
7	99001106	PANEL, TOE (WHT) (S/P)
7	99001194	SCREW, ACCESS PANEL (S/P)
8	Y912873	SCREW, LATCH (S/P)
8	912648	SPRING, LATCH (S/P)
8	912650	RETAINER, LATCH (S/P)
8	903098	DOOR LATCH HOOK ASSY (S/P)
8	99001355	HOOK, LATCH (S/P)
9	912647	HOSE, TOP SHOWER (S/P)
10	Y913095	DESCONTINUADO
11	910069	WASHER, TUB TOP (S/P)
12	912014	LEVER, ACTUATOR (S/P)
13	99002531	PIN, LEVER PIVOT (S/P)
14	Y912686	RING, LOCKING (S/P)
15	99001393	BARRIER (WHT) (S/P)
16	99001852	THERMOSTAT, LIMITING (S/P)
16	99001008	CLIP, THERMOSTAT (S/P)
17	Y913096	TUBE, INLET (S/P)
18	912651	BRACKET, ADJUSTING (S/P)
19	912613	SCREW, ADJUSTING BRACKET (S/P)
20	912645	NUT, HEATING ELEMENT (S/P)
20	99001333	SLEEVE, INSULATING (S/P)
21	Y912659	CAP, AIR INLET (S/P)
21	912622	SCREW (S/P)
22	Y913079	O-RING, HEATER (S/P)
23	99001995	ELEMENT, HEATING (830W/650W) (S/P)
23	99002360	ELEMENT, HEATING (S/P)

24	99002361	BRACKET, ELEMENT (S/P)
24	Y912541	BRACKET, HEATING ELEMENT (S/P)
25	911265	PALNUT, FLOAT (S/P)
26	912579	LEG, LEVELING (S/P)
27	400321	CLAMP, CABLE (S/P)
27	912365	SCREW (S/P)
27	912563	BOX, TERMINAL (S/P)
28	99002363	FLOAT (S/P)
29	99002560	SWITCH, WATER LEVEL CONTROL (S/P)
29	912012	SCREW (S/P)
30	912365	SCREW (S/P)
30	912656	BRACKET, WATER LEVEL SWITCH (S/P)
31	912799	SCREW, CABINET MOUNT (S/P)
32	99002415	FASTENER, INSULATION (COLLAR) (S/P)
32	911917	FASTENER, INSULATION (S/P)
33	99002695	INSULATION, TUB (S/P)
33	912749	DESCONTINUADO
33	99002566	DAMPER, SOUND (TOP-BACK) (S/P)
33	99002695	INSULATION, TUB (BACK) (S/P)
34	Y912790	HOOK, DRAIN HOSE (S/P)
35	912644	SEAL RING, INJECTOR (S/P)
36	912365	SCREW (S/P)
36	912654	STRAP, SUPPORT (S/P)
37	99002335	SEAL, SOUND (WHT) (S/P)
38	99001885	DEFLECTOR, WATER (S/P)
39	99001204	DAMPER, TOE PANEL (S/P)
40	99002414	INSULATION, TOE PANEL (S/P)
41	99001395	INSULATION, BARRIER (S/P)