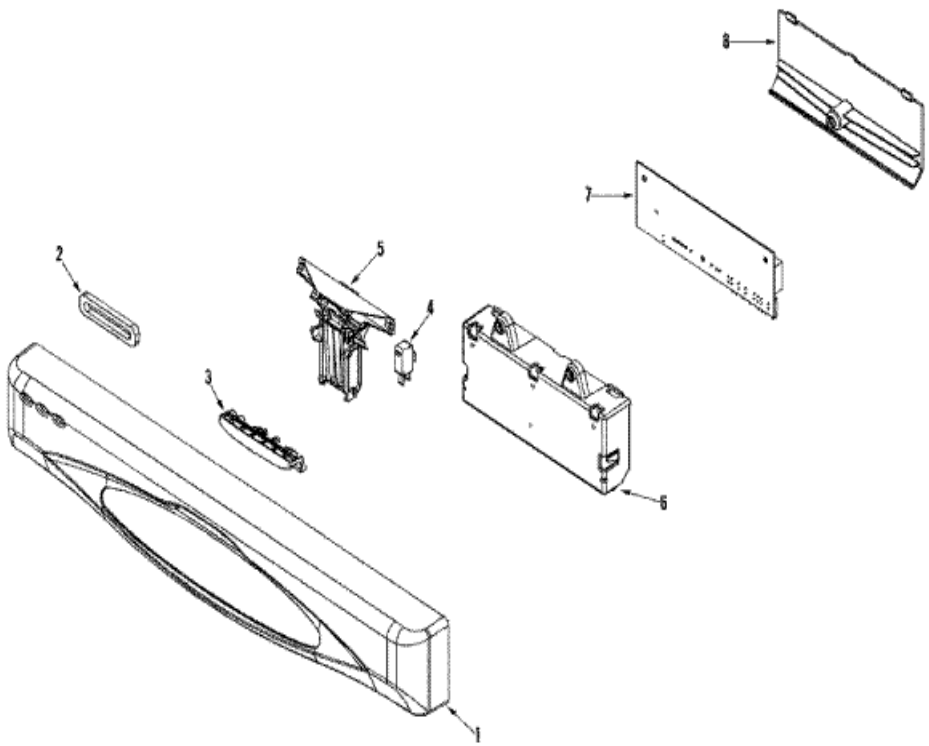




MDB8600AWW CONTROL PANEL

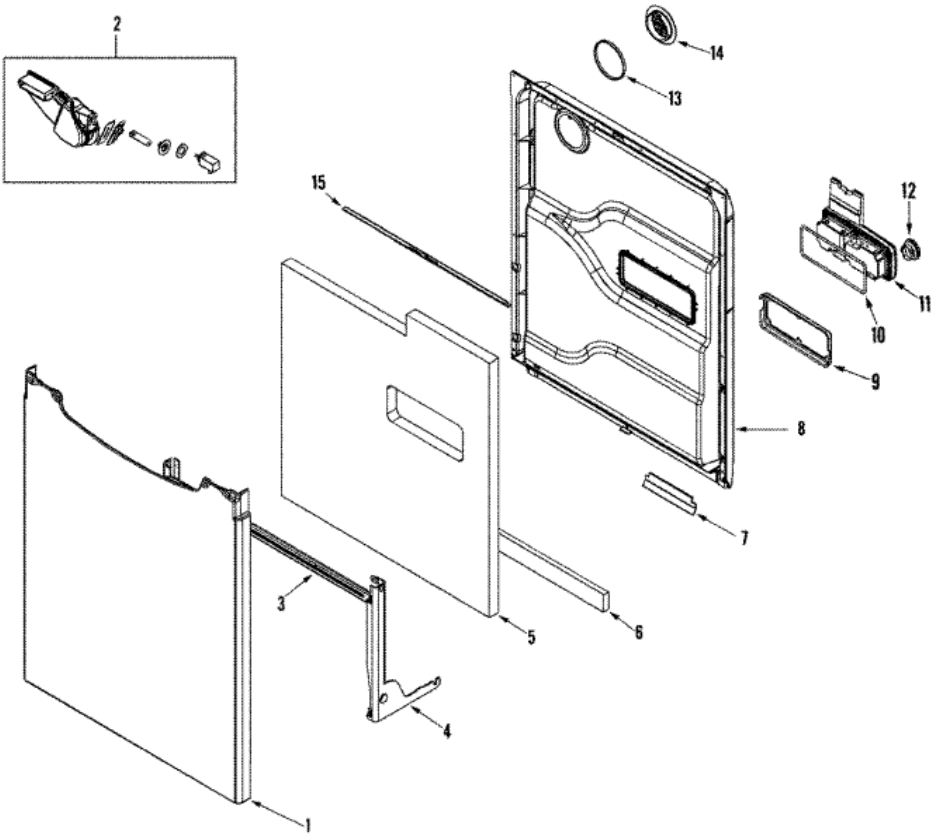




MDB8600AWW CONTROL PANEL

1	99002789	PANEL, CONTROL (WHT) (S/P)
1	912615	SCREW, No.8X1/2 HEX WASHER HEAD (S/P)
2	99003222	VENT SEAL, CONTROL PANEL (S/P)
3	99002579	HANDLE, LATCH (WHT) (S/P)
4	99002751	SWITCH, DOOR (S/P)
5	99003347	LATCH ASSEMBLY (S/P)
6	912615	SCREW, No.8X1/2 HEX WASHER HEAD (S/P)
6	99002576	HOUSING, BOARD (BASE) (S/P)
7	12002711	BOARD, CONTROL (S/P)
7	99003162	BOARD, CONTROL (S/P)
8	912615	SCREW, No.8X1/2 HEX WASHER HEAD (S/P)
8	99002575	HOUSING, BOARD (TOP) (S/P)
9	99002581	DESCONTINUADO
9	99002986	WIRE HARNESS, MICROPROCESSOR (S/P)
9	99002845	WIRE HARNESS, MICROPROCESSOR (S/P)

MDB8600AWW DOOR





MDB8600AWW DOOR

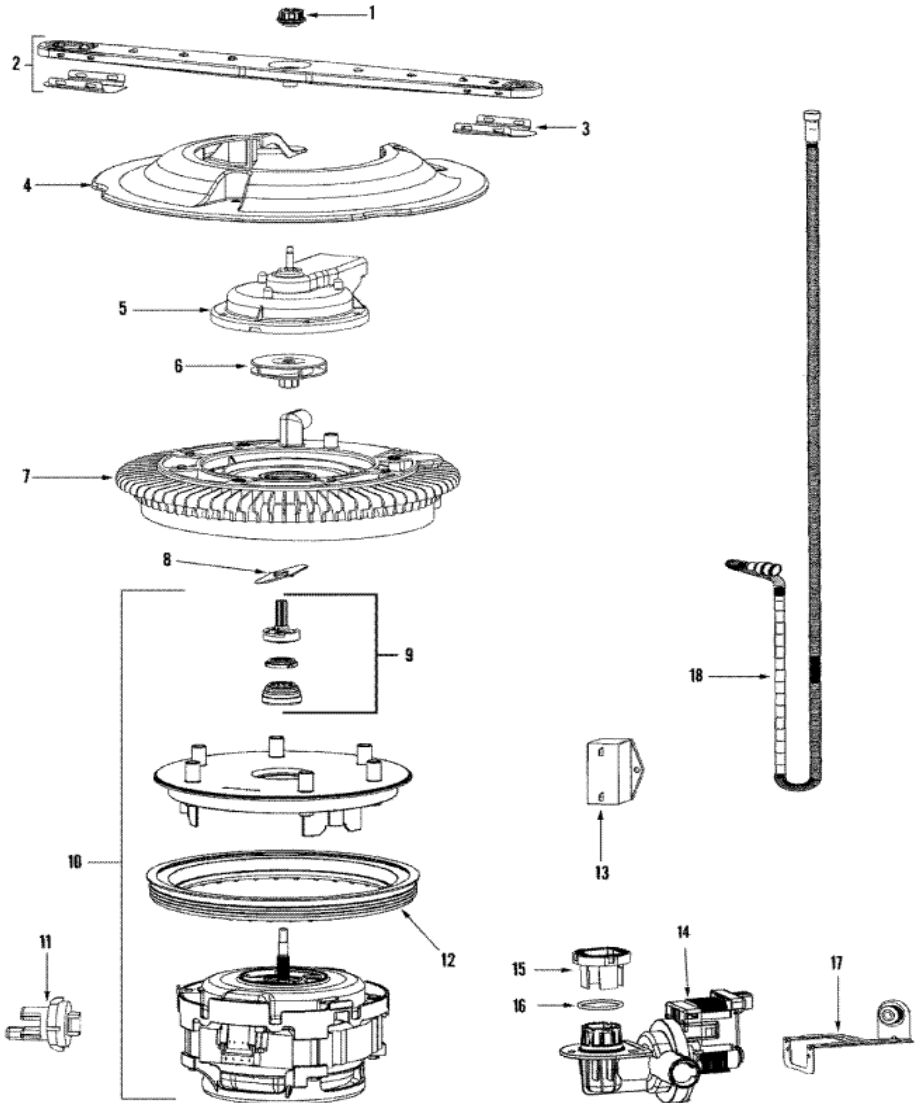
1	99002770	PANEL, DECO (W/DAMPER-WHT) (S/P)
2	99002673	VENT HOUSING ASSEMBLY (S/P)
3	99002604	DESCONTINUADO
4	99001075	SCREW (S/P)
4	99002929	BRACKET, HINGE (LT) (S/P)
4	99002930	BRACKET, HINGE (RT) (S/P)
5	Y99002587	INSULATION, DOOR (S/P)
6	903233	FOAM STRIP, INSULATION (S/P)
7	99002756	PUSHNUT, STAINLESS (S/P)
7	99002589	SEAL, DOOR (BTM) (S/P)
8	99002970	DOOR, INNER (W/DAMPER) (S/P)
8	Y912620	SCREW (S/P)
8	12002179	DOOR, INNER (W/DAMPER) (S/P)
9	99003316	BRACKET, DISPENSER MOUNTING (S/P)
9	912615	SCREW, No.8X1/2 HEX WASHER HEAD (S/P)
10	99002270	SEAL, BASE (S/P)
11	99003317	RINSE AID/DETERGENT DISPENSER (S/P)
12	99002614	KNOB, RINSE AID (W/O-RING) (S/P)
13	99002186	SEAL, DOOR VENT (S/P)
14	99002590	BEZEL, DOOR VENT (S/P)
15	99002586	REINFORCEMENT, INNER DOOR (S/P)
15	Y912620	SCREW (S/P)

Distribuidor Autorizado

SurteRápido.com

Venta de Refacciones
Electrodomesticas

MDB860AWW PUMP & MOTOR





MDB8600AWW PUMP & MOTOR

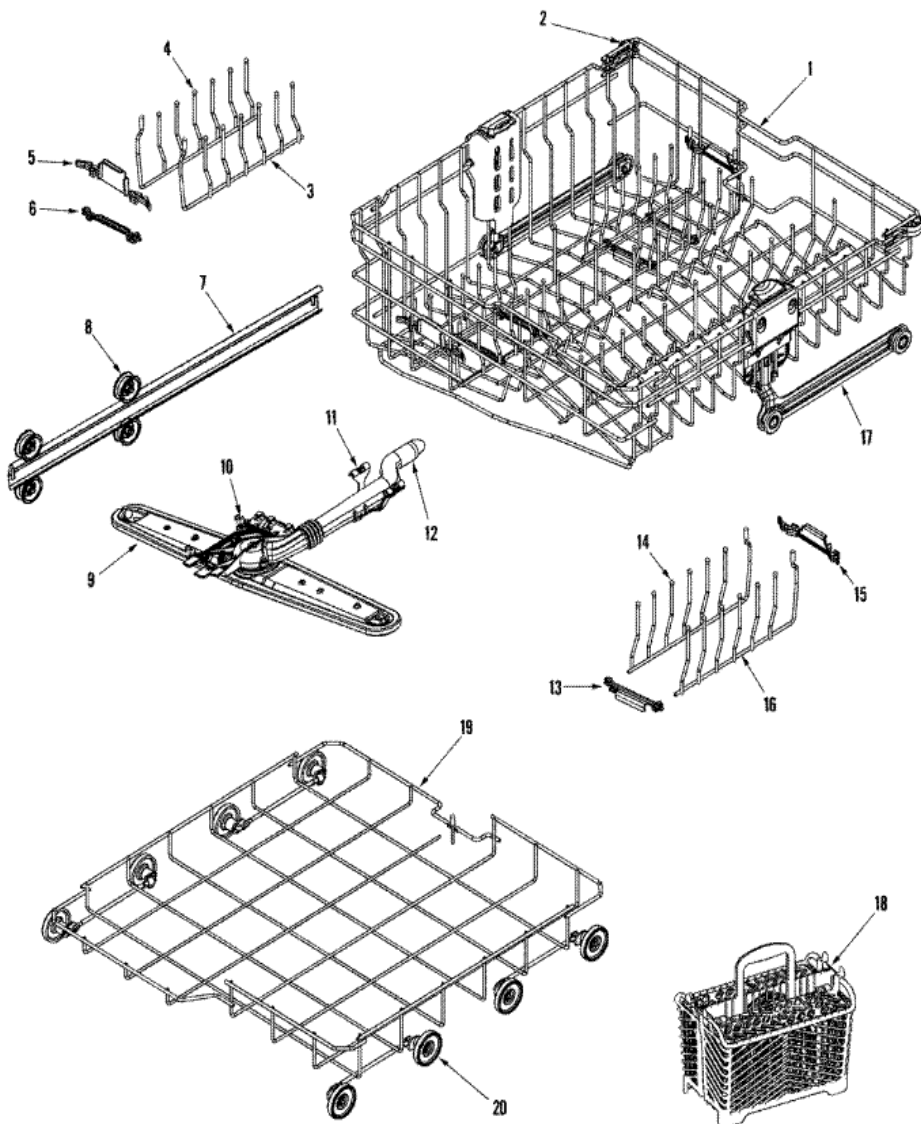
1	99002654	CAP, WASH ARM (S/P)
2	99002678	WASH ARM, LOWER (W/SHIELDS) (S/P)
3	99002653	SHIELD, RADIANT (S/P)
4	99002979	GUARD, FILTER (GRAY) (S/P)
4	99002666	SCREW (S/P)
5	99002677	DISCHARGE HOUSING ASSY (UPR) (S/P)
5	99002664	SCREW, DISCHARGE HOUSING (S/P)
6	99002660	SCREW, IMPELLER (S/P)
6	99002741	WASH IMPELLER ASSEMBLY (S/P)
7	99003291	FILTER/FLOWPLATE ASSEMBLY (S/P)
7	99002668	SCREW, STAINLESS PAN HEAD (S/P)
8	99002658	CHOPPER (S/P)
9	99003341	WASH MOTOR SEAL KIT (S/P)
10	99003430	WASH MOTOR ASSY SEAL NOT INCL (S/P)
11	99002650	SENSOR, TURBIDITY (S/P)
11	912615	SCREW, No.8X1/2 HEX WASHER HEAD (S/P)
11	99002651	O-RING, TURBIDITY SENSOR (S/P)
12	99002663	GASKET, PUMP (S/P)
13	99002601	SCREW 10-32X.400 (T-20 HEAD) (S/P)
13	99002665	CAPACITOR, MOTOR (S/P)
14	99002750	DRAIN PUMP ASSEMBLY (S/P)
14	99002815	FLAPPER, DRAIN PUMP VALVE (S/P)
15	99003309	FLAPPER, DRAIN FILTER (S/P)
16	99002857	O-RING, DRAIN PUMP (S/P)
17	99002657	SCREW, DRAIN PUMP MOUNTING (S/P)
17	99002752	BRKT, DRAIN PUMP (W/GROMMET) (S/P)
18	99002652	HOSE, DRAIN (S/P)
18	99002656	CLAMP, DRAIN HOSE (1-3/8") (S/P)

Distribuidor Autorizado

SurteRápido.com

Venta de Refacciones
Electrodomesticas

MDB860AWW RACK ASSEMBLY (MIDDLE/LWR)

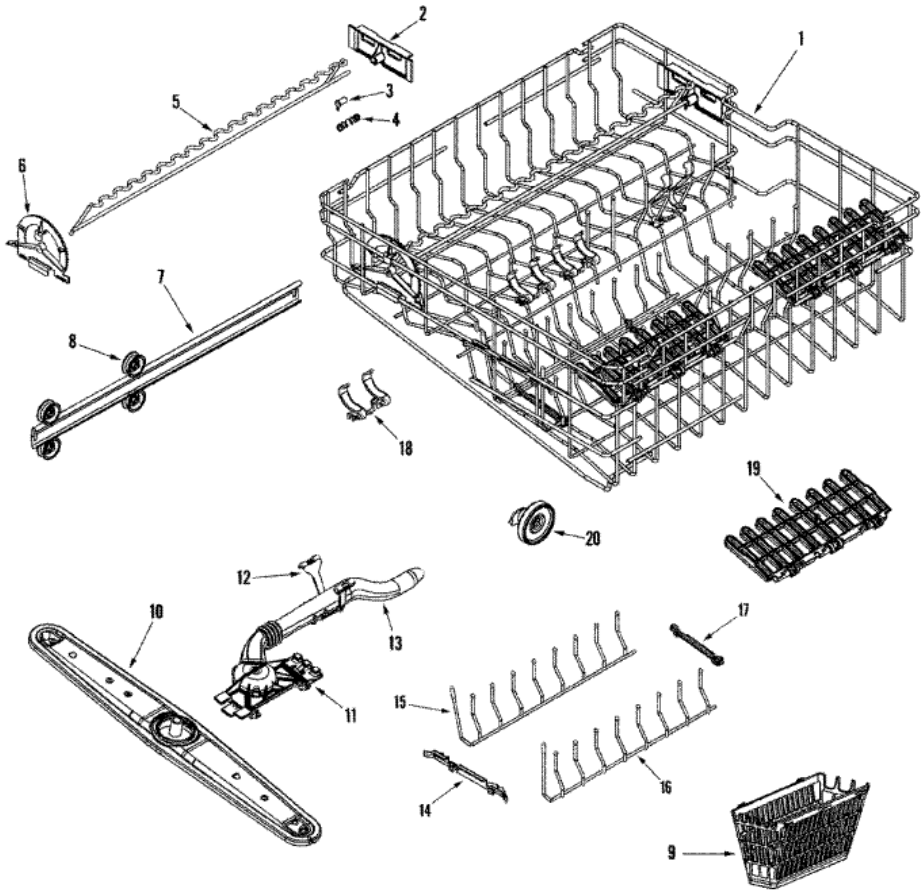




MDB8600AWW RACK ASSEMBLY (MIDDLE/LWR)

1	99002905	CAP, RACK (DARK GRAY) (S/P)
1	99003207	RACK ASSEMBLY (MIDDLE) (S/P)
1	99003207	RACK ASSEMBLY (MIDDLE) (S/P)
2	99002853	SNUGGER, RACK (S/P)
5	99002737	LATCH, FOLD AWAY TINE (FRT) (S/P)
6	99002735	PIVOT, FOLD AWAY TINE (S/P)
7	99002621	TRACK, RACK (S/P)
7	99003475	STOP, RACK (GRAY) (S/P)
8	99002947	WHEEL, TUB (S/P)
8	99002343	SHAFT, TUB WHEEL (S/P)
8	Y912798	WASHER, TUB WHEEL (S/P)
9	99002739	ARM, WASH (MIDDLE) (S/P)
9	99002740	SCREW, TRUSS HEAD (10-18X.75) (S/P)
10	99002732	CLIP, MIDDLE MANIFOLD (FRT) (S/P)
11	99002944	CLIP, MIDDLE MANIFOLD (BACK) (S/P)
12	99002793	WASH MANIFOLD ASSY (MIDDLE) (S/P)
13	99002735	PIVOT, FOLD AWAY TINE (S/P)
15	99002736	LATCH, FOLD AWAY TINE (REAR) (S/P)
17	99002782	DESCONTINUADO
17	99003585	RACK ADJUSTER ASSEMBLY (RT) (S/P)
17	99003008	RACK ADJUSTER ASSEMBLY (LT) (S/P)
17	99002783	DESCONTINUADO
17	99003011	COVER, RACK ADJUSTER (GRAY) (S/P)
17	99003020	STABILIZER, RACK ADJUSTER (S/P)
17	99003178	LEVER, ADJUSTER (BLUE) (S/P)
18	99002730	BASKET, SPLIT/FIT (S/P)
18	99002731	COVER, SPLIT/FIT BASKET (S/P)
18	99002729	SPLIT/FIT BASKET (S/P)
19	99002905	CAP, RACK (DARK GRAY) (S/P)
19	12002185	PAN RACK ASSEMBLY (S/P)
20	99002780	WHEEL ASSEMBLY (LWR) (S/P)

**MDB8600AWW RACK ASSEMBLY
(UPR)**

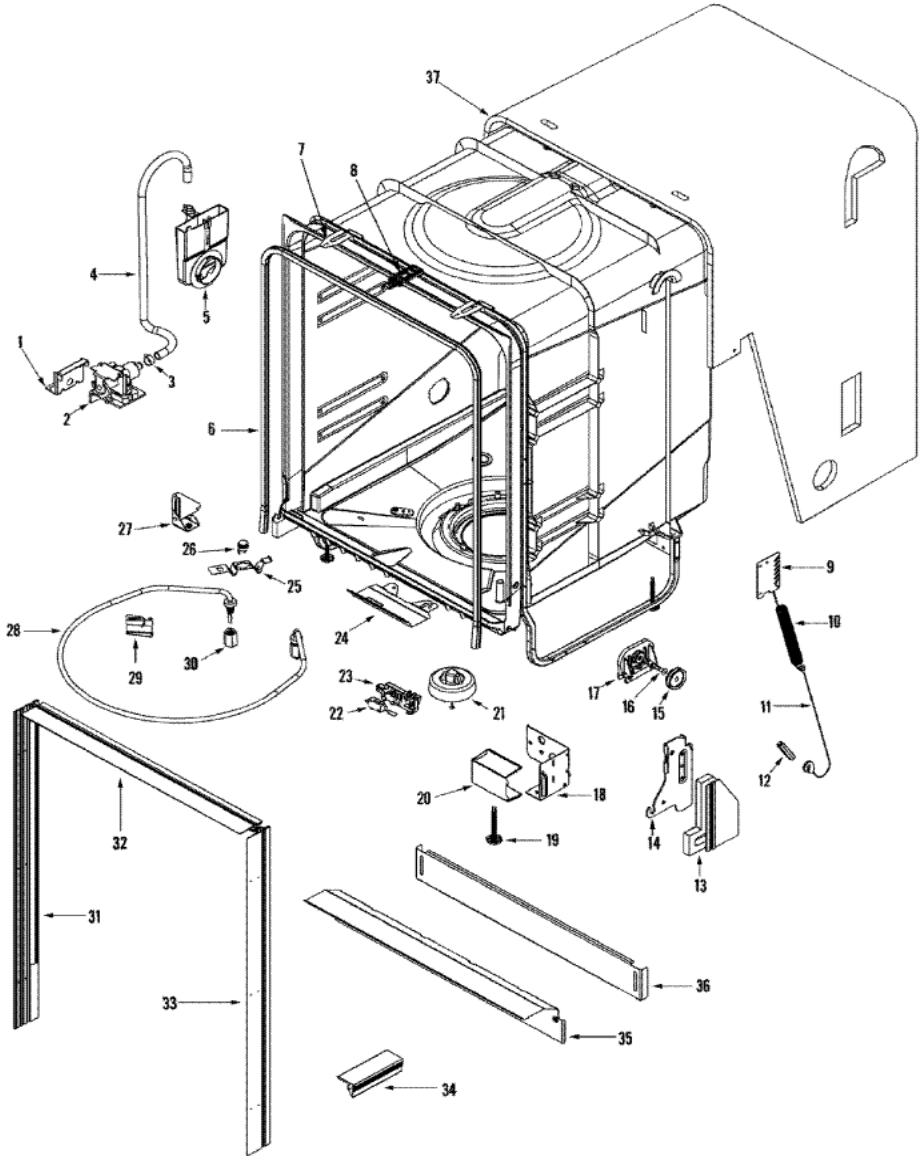




MDB8600AWW RACK ASSEMBLY (UPR)

1	99002905	CAP, RACK (DARK GRAY) (S/P)
1	99002742	RACK ASSEMBLY (UPR) (S/P)
1	99003019	RACK ASSEMBLY (UPR) (S/P)
2	99002712	VARILOCK (REAR) (S/P)
3	99002714	CUP, VARILOCK (S/P)
4	99002715	SPRING, VARILOCK (S/P)
5	99002713	SUPPORT, VARILOCK (S/P)
6	99002711	VARILOCK (FRT) (S/P)
7	99002621	TRACK, RACK (S/P)
7	99003475	STOP, RACK (GRAY) (S/P)
8	99002947	WHEEL, TUB (S/P)
8	Y912798	WASHER, TUB WHEEL (S/P)
8	99002343	SHAFT, TUB WHEEL (S/P)
9	99002620	BASKET, AUXILLARY (BLUE) (S/P)
10	99002624	ARM, WASH (UPR) (S/P)
11	99002669	CLIP, UPR WASH MANIFOLD (FRT) (S/P)
12	99002945	CLIP, UPR WASH MANIFOLD (BACK) (S/P)
13	99002679	WASH MANIFOLD ASSY (UPR) (S/P)
14	99002710	LATCH, FOLD AWAY TINE (S/P)
15	99003496	TINE, FOLD AWAY (LT) (S/P)
16	99003496	TINE, FOLD AWAY (RT) (S/P)
17	99002709	PIVOT, FOLD AWAY TINE (S/P)
18	99002696	CLIP, CUP (BLUE) (S/P)
19	99002671	SHELF, CUP (UPR) (S/P)
20	99002781	WHEEL ASSEMBLY (UPR) (S/P)

MDB860AWW TUB



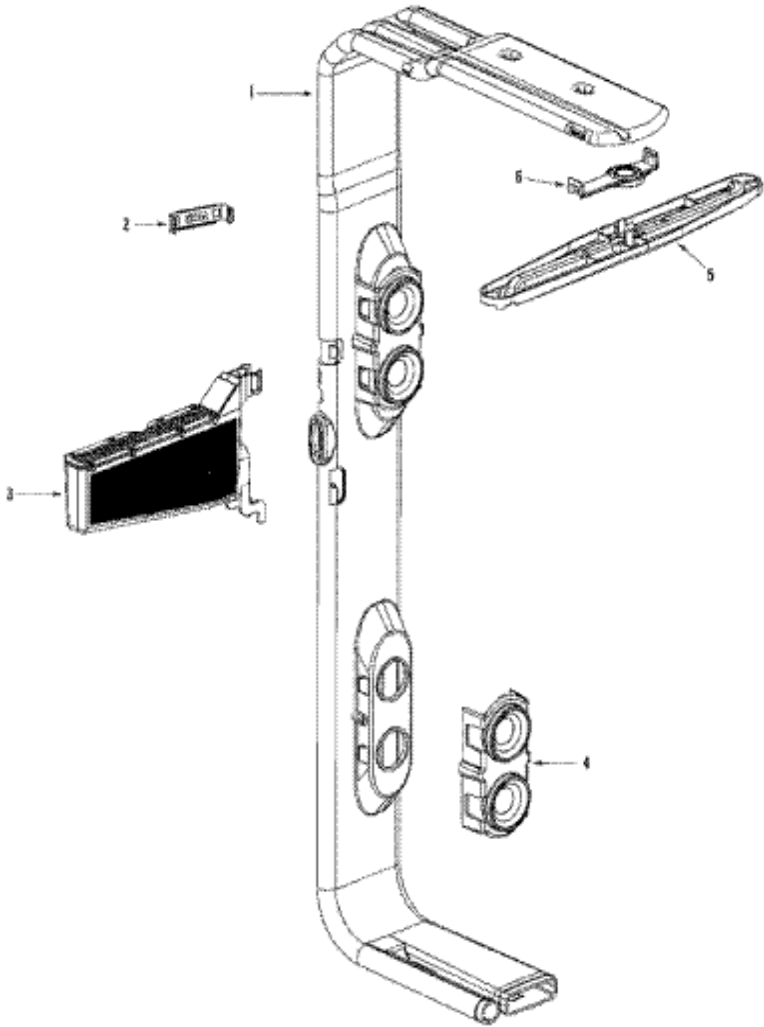


MDB8600AWW TUB

1	99002601	SCREW 10-32X.400 (T-20 HEAD) (S/P)
1	99002629	BRACKET, WATER VALVE (S/P)
2	99002553	SCREW-No.8X7/16 HEX WASHER HEAD (S/P)
2	99002975	VALVE, WATER (S/P)
2	99002628	VALVE, WATER (S/P)
3	911856	CLAMP, SPRING (S/P)
4	99002852	HOSE, INJECTOR (S/P)
5	99002645	INLET, AIR/WATER (S/P)
5	99002646	SEAL, AIR/WATER INLET (S/P)
5	99002867	FOAM INSERT, AIR/WATER INLET (S/P)
5	99002948	COVER, AIR/WATER INLET (S/P)
5	99002954	FELT, AIR/WATER INLET (S/P)
5	99002955	FOAM BLOCK, AIR/WATER INLET (S/P)
6	99002588	SEAL, DOOR (S/P)
7	99002648	BRACKET, CABINET MOUNTING (S/P)
8	99002601	SCREW 10-32X.400 (T-20 HEAD) (S/P)
8	99002644	STRIKER, DOOR (S/P)
9	99002601	SCREW 10-32X.400 (T-20 HEAD) (S/P)
9	99002610	BRACKET, SPRING ADJUSTMENT (S/P)
10	99002598	SPRING, DOOR (S/P)
11	99003446	CABLE, DOOR (S/P)
12	99003446	LINK, DOOR CABLE
13	99003307	BACKER, HINGE SEAL (RT) (S/P)
13	99003306	BACKER, HINGE SEAL (LT) (S/P)
14	99002928	SUPPORT, HINGE (LT) (S/P)
14	99002927	SUPPORT, HINGE (RT) (S/P)
14	99002601	SCREW 10-32X.400 (T-20 HEAD) (S/P)
15	99002608	ROLLER, CABLE BRACKET (S/P)
16	99002609	SHOULDER BOLT, CABLE BRACKET (S/P)
17	99002607	BRACKET, CABLE (S/P)
17	99002601	SCREW 10-32X.400 (T-20 HEAD) (S/P)
18	99002601	SCREW 10-32X.400 (T-20 HEAD) (S/P)
18	99002637	BRACKET, JUNCTION BOX SUPPORT (S/P)
19	99002635	LEG, LEVELING (S/P)
20	99002638	COVER, JUNCTION BOX (S/P)

20	912365	SCREW (S/P)
21	99002630	FLOAT (S/P)
22	99002631	SWITCH, FLOAT (S/P)
23	99002632	PLATE, SWITCH MOUNTING (S/P)
23	99002749	SCREW, STEEL HEX HD PLASITE (S/P)
24	99002749	SCREW, STEEL HEX HD PLASITE (S/P)
24	99002754	CLIP, WIRE (S/P)
24	99002855	CLAMP, HARNESS (S/P)
24	99002858	CLIP, TINNEMAN (S/P)
25	99002634	CLIP, THERMOSTAT (S/P)
26	99002633	THERMOSTAT, LIMITING (S/P)
27	99002601	SCREW 10-32X.400 (T-20 HEAD) (S/P)
27	99002636	BRACKET, SUPPORT (LT) (S/P)
28	99002971	HEATER (W/GASKET) (S/P)
28	99002973	GASKET, HEATER (S/P)
28	99002625	HEATER (S/P)
29	99002626	BRACKET, HEATER SUPPORT (S/P)
30	99002972	NUT, HEATER (S/P)
30	Y913079	O-RING, HEATER (S/P)
30	99002627	NUT, HEATER (S/P)
31	99002690	STRIP, TRIM/MOUNTING (LT) (S/P)
31	99002692	SCREW, TRIM MOUNTING (S/P)
32	99002723	STRIP, TRIM/MOUNTING (TOP) (S/P)
33	99002691	STRIP, TRIM/MOUNTING (RT) (S/P)
33	99002692	SCREW, TRIM MOUNTING (S/P)
34	99002703	GAP SEAL, TOE KICK (WHT) (S/P)
35	99002860	SUPPORT, FRONT (W/SEALS)(WHT) (S/P)
35	99001194	SCREW, ACCESS PANEL (S/P)
36	99001194	SCREW, ACCESS PANEL (S/P)
36	99002766	PANEL, TOE (W/DAMPER-WHT) (S/P)
36	99002698	SOUND SEAL, TOE PANEL (WHT) (S/P)
37	99002640	FASTENER, INSULATION (S/P)
37	99002849	INSULATION, TUB (S/P)

**MDB860AWW WATER DISTRIBUTION
ASSEMBLY**





MDB8600AWW WATER DISTRIBUTION ASSEMBLY

1	99002738	MANIFOLD, MAIN MULTI-LEVEL (S/P)
2	99002643	BRACKET, MANIFOLD MOUNTING (S/P)
3	99002846	FILTER, OVER-PRESSURE (W/CVR) (S/P)
4	99002674	STATION, DOCKING (W/FLAPPER) (S/P)
5	99002676	WASH ARM, TOP (W/RETAINER) (S/P)
6	99002753	RETAINER, TOP WASH ARM (S/P)