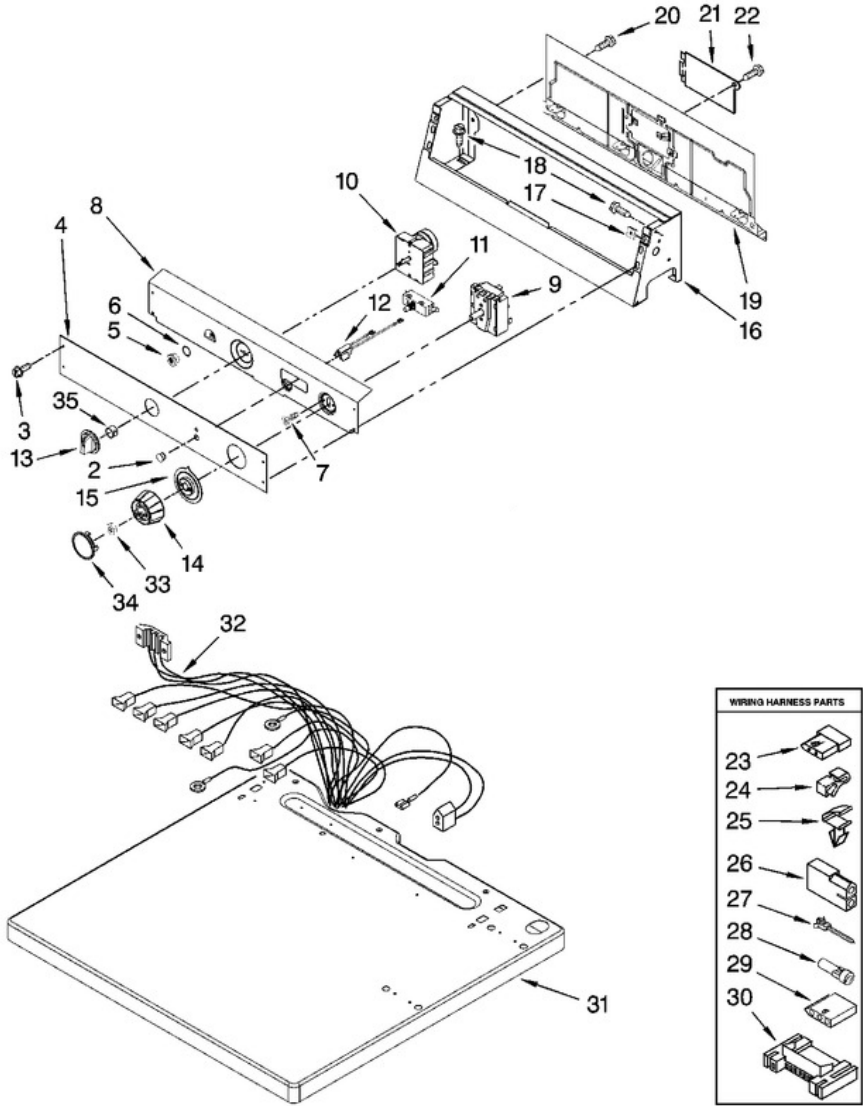


**MDE17MNAYW1 TABLERO**



WIRING HARNESS PARTS	
23	
24	
25	
26	
27	
28	
29	
30	



## MDE17MNAYW1 TABLERO

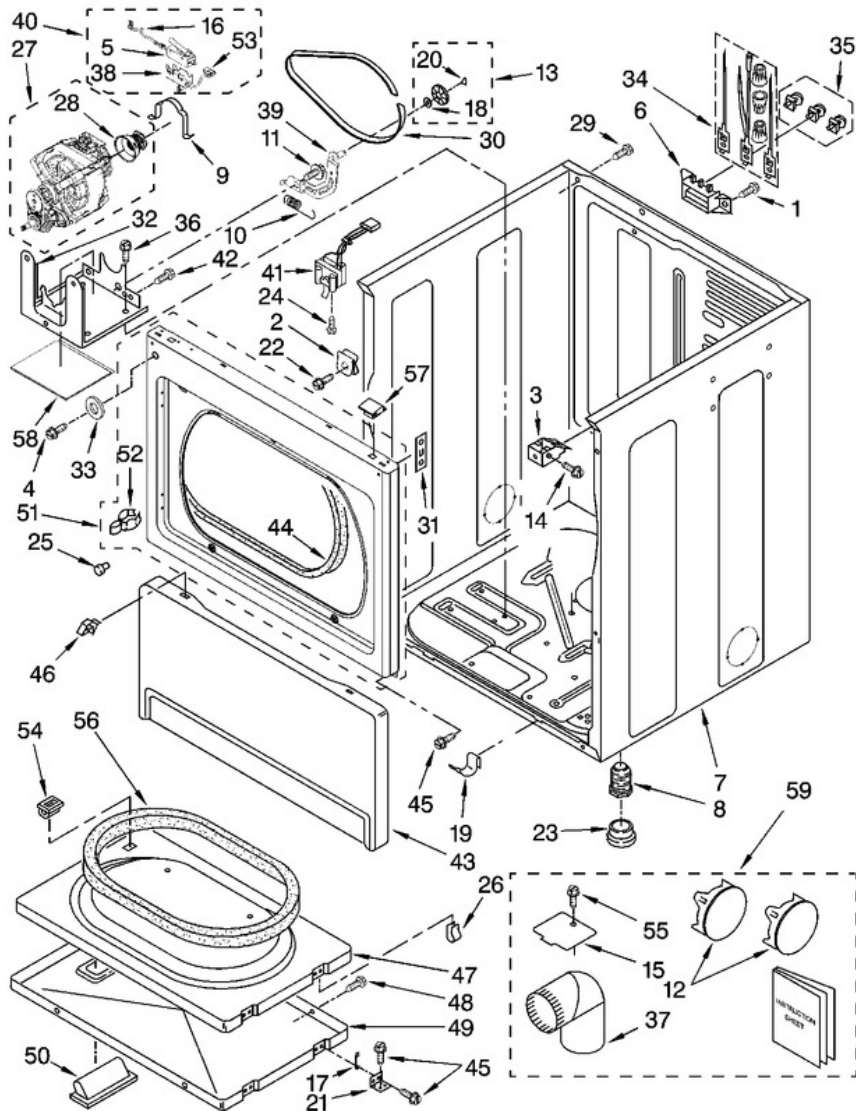
2	W10133502	LENS, PILOT LIGHT AMBER (S/P)
4	W10135184	FACIA / OVERLAY (S/P)
5	W10146429	NUT, 8-32 X 3/8 (S/P)
6	W10139799	WASHER (S/P)
7	W10139100	SCREW, 8-32 X 1/2 (S/P)
8	W10124216	BRACKET, CONTROL (S/P)
9	W10157942	TIMER, DRYER (S/P)
10	W10327105	SWITCH, CYCLE SELECTION (S/P)
11	W10149462	SWITCH, PUSH-TO-START (S/P)
12	W10130072	LAMP-INDICATOR 120 V. (S/P)
13	W10133507	KNOB (S/P)
14	W10133505	KNOB, CONTROL (S/P)
15	W10133506	SKIRT, DIAL (S/P)
16	W10235158	CONSOLE (S/P)
17	W10131123	NUT, 8 U-TYPE (S/P)
18	W10139210	SCREW, 8-18 X 5/16 (S/P)
19	285909	PANEL, REAR (UPPER) (S/P)
20	3390647	SCREW, 8-18 X 1/2 (S/P)
21	W10119283	COVER, TERMINAL BLOCK (S/P)
22	3390814	SCREW, 8-18 X 3/8 (S/P)
23	717253	RECEPTACLE (2-WAY) (S/P)
24	W10113937	CLIP, GROUND (S/P)
25	3394427	CLIP-HARNESS (S/P)
26	717252	RECEPTACLE, 2-WAY (S/P)
27	3391018	TIE, CABLE (S/P)
28	351297	PLUG, HARNESS (S/P)
29	3936144	CONNECTOR 3-CIRCUIT (S/P)
30	3395683	HOUSING, CONNECTOR (S/P)
31	W10136704	TOP (S/P)
32	W10153137	HARNESS, MAIN (S/P)
33	W10155650	NUT, 1/4-28 X (S/P)
34	215164	CAP, KNOB (S/P)
35	W10140928	CLIP, KNOB (S/P)

Distribuidor Autorizado

SurteRápido.com

Venta de Refacciones  
Electrodomesticas

## MDE17MNAYW1 GABINETE





## MDE17MNAYW1 GABINETE

1	3393008	SCREW, 10-16X1/2 (S/P)
2	W10131123	NUT, 8 U-TYPE (S/P)
3	3391846	CLIP, FRONT PANEL (2) (S/P)
4	3400077	SCREW, 10-16 X 1/2 (S/P)
5	8564010	SWITCH, BROKEN BELT (S/P)
6	3397659	BLOCK TERMINAL (S/P)
7	8310656	CABINET (S/P)
8	3392100	FOOT, DRYER (PLASTIC)
8	279810	FOOT - OPTIONAL (S/P)
9	343481	CLAMP, MOTOR (2) <b>DESCONTINUADO</b>
10	3387374	SPRING, IDLER (S/P)
11	3389420	RETAINER, IDLER (S/P)
12	W10186596	PLUG, MULTIVENT (S/P)
13	279640	PULLEY ASSEMBLY
14	3391915	SCREW, 10-16 X 1 (S/P)
15	3394331	PLATE, COVER (S/P)
16	W10167613	WIRE, BELT SWITCH (S/P)
17	W10191265	PLUG, HINGE SCREW (S/P)
18	233520	WASHER, THURST (S/P)
19	297092	CLIP (2)
20	690997	TRI- RING (S/P)
21	3389247	HINGE AND PIN (2) (S/P)
22	W10131119	SCREW, 8-18 X 5/16 (S/P)
23	3391943	BOOT, FOOT (S/P)
24	697773	SCREW, 6-20 X 7/8 (S/P)
25	693152	BUMPER (S/P)
26	3389249	NUT, "U" (4) (S/P)
27	W10139766	MOTOR ASSEMBLY (60 HZ.)
28	8066184	PULLEY (S/P)
29	8533974	SCREW, 10-32 X 1/2 (S/P)
30	W10131172	BELT, DRIVE (S/P)
31	3390902	CLIP, DOOR HINGE (2) (S/P)
32	W10135695	BRACKET, MOTOR (S/P)

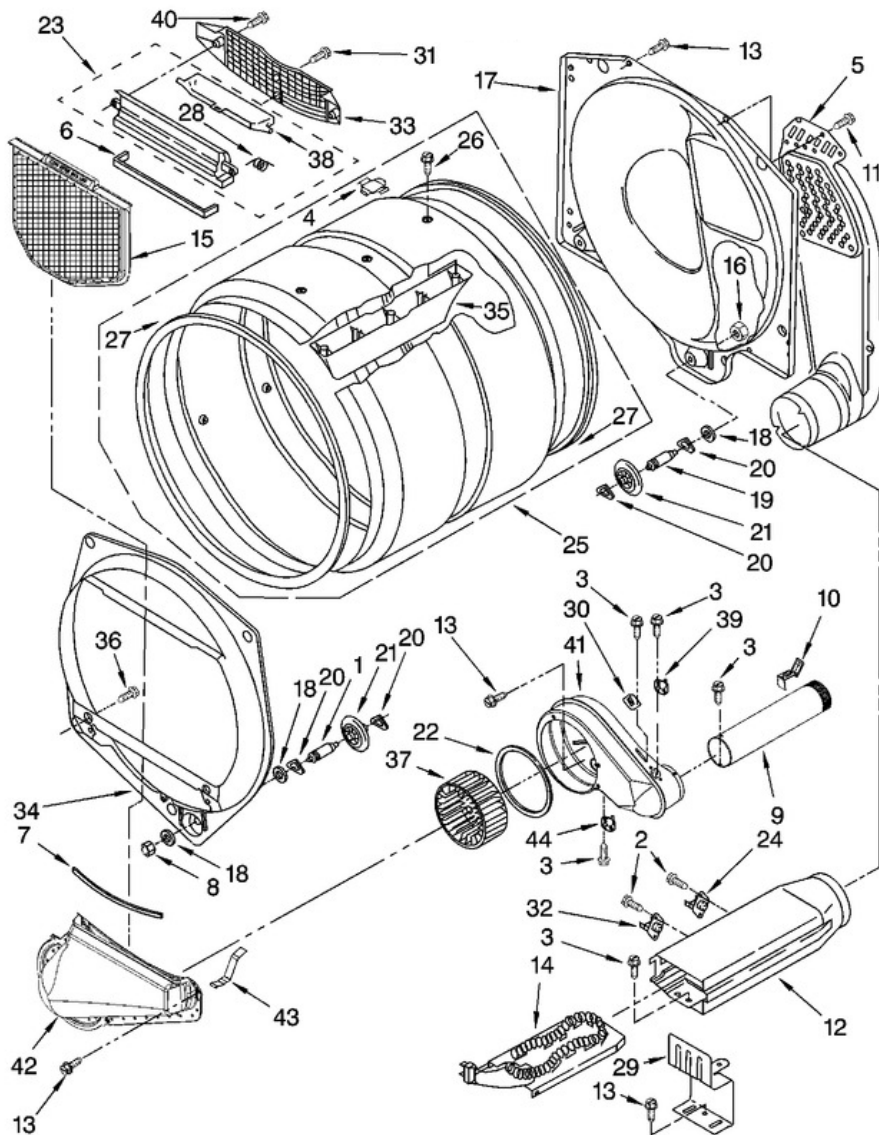
33	4159590	WASHER (S/P)
34	279318	TERMINAL, BRASS & TINNED (3) (S/P)
35	279393	TERMINAL BLOCK SCREW KIT (S/P)
36	3390663	SCREW, 10-16 X 1/2 (S/P)
37	49026	4" - 90 ELBOW (S/P)
38	8564011	BRACKET, SWITCH (S/P)
39	W10344192	BRACKET, IDLER (S/P)
40	W10155571	SWITCH ASSEMBLY (S/P)
41	3406107	DOOR SWITCH ASSEMBLY
42	W10002600	SCREW, 6-20 X 1.00 (S/P)
43	3406797	PANEL, TOE (S/P)
44	3387242	SEAL, FRONT PANEL
45	342055	SCREW, 8-18 X 1/2 (S/P)
46	3388229	RETAINER
47	280083	DOOR, REAR (S/P)
48	694091	SCREW, 8-18 X 3/8 (S/P)
49	3387872	DOOR, FRONT (S/P)
50	W10116360	HANDLE, DOOR (S/P)
51	W10242810	FRONT PANEL (S/P)
52	279570	STRIKE, DOOR
53	8539892	WIRE, JUMPER (S/P)
54	279570	CATCH, DOOR ASSEMBLY
55	3390647	SCREW, 8-18 X 1/2 (S/P)
56	3390735	SEAL, DOOR (S/P)
57	345670	LOCK, TOP (S/P)
58	W10212660	SOUND PAD, MOTOR (S/P)
59	W10186596	DRYER EXHAUST KIT (S/P)

Distribuidor Autorizado

SurteRápido.com

Venta de Refacciones  
Electrodomesticas

## MDE17MNAYW1 TAMBOR





**MDE17MNAYW1 TAMBOR**

1	W10359271	SHAFT, R.H. THREAD (S/P)
2	90767	SCREW, 8/18 X 3/8 (S/P)
3	8533971	SCREW, 8-18 X 5/16 (S/P)
4	8066086	DRUM HOLE PLUG (S/P)
5	3387911	AIR DUCT ASSEMBLY (S/P)
6	697813	SEAL, OUTLET HOUSING <b>DESCONTINUADO</b>
7	697813	SEAL, DRUM FRONT (S/P)
8	W10080210	NUT, 3/8 X 16 (R.H.) (S/P)
9	279936	EXHAUST PIPE (S/P)
10	8572105	CLIP (S/P)
11	693995	SCREW 8-18 X 3/8 (S/P)
12	3392537	BOX, HEATER (S/P)
13	3390647	SCREW, 8-18 X 1/2 (S/P)
14	3387748	ELEMENT, HEATER
15	W10120998	SCREEN, LINT
16	W10080190	NUT, 3/8-16 (L.H.) (S/P)
17	3387809	BULKHEAD, REAR (S/P)
18	W10080960	WASHER-SUPPORT (S/P)
19	W10359272	SHAFT, L.H. THREAD (S/P)
20	690997	RING TRI (S/P)
21	W10314173	ROLLER, SUPPORT (S/P)
22	697770	SEAL, COVER PLATE (S/P)
23	8563754	HOUSING, OUTLET <b>DESCONTINUADO</b>
24	279973	CUT-OFF, THERMAL (INCLUDES ILLUS. 32) (S/P)
25	W10197999	DRUM COMPLETE (S/P)
26	W10219342	SCREW, 11-16 X 3/4 (S/P)
27	280114	SEAL, DRUM (S/P)
28	3394986	SPRING, LINT SCREEN (S/P)
29	8066099	BRACKET, HEATER BOX (S/P)
30	3392519	THERMAL FUSE
31	487909	SCREW, 8-15 X 1/2 (S/P)
32	3391914	THERMOSTAT 295 F (S/P)
33	8563756	GRILL, OUTLET (S/P)

34	697557	BULKHEAD, FRONT (S/P)
35	W10113136	BAFFLE, DRUM (3) (S/P)
36	3357011	SCREW, 10-16 X 1/2 (S/P)
37	W10349492	WHEEL, BLOWER (S/P)
38	8563758	DOOR, LINT SCREEN (S/P)
39	W10131836	THERMOSTAT 140 F CYCLING
40	3387230	SCREW, 10-16 X 3/4 (S/P)
41	W10135254	HOUSING, BLOWER (S/P)
42	W10128606	LINT DUCT ASSEMBLY (S/P)
43	8066208	CLIP SPRING (S/P)
44	W10178809	THERMOSTAT 155 F ELECTRONIC (S/P)