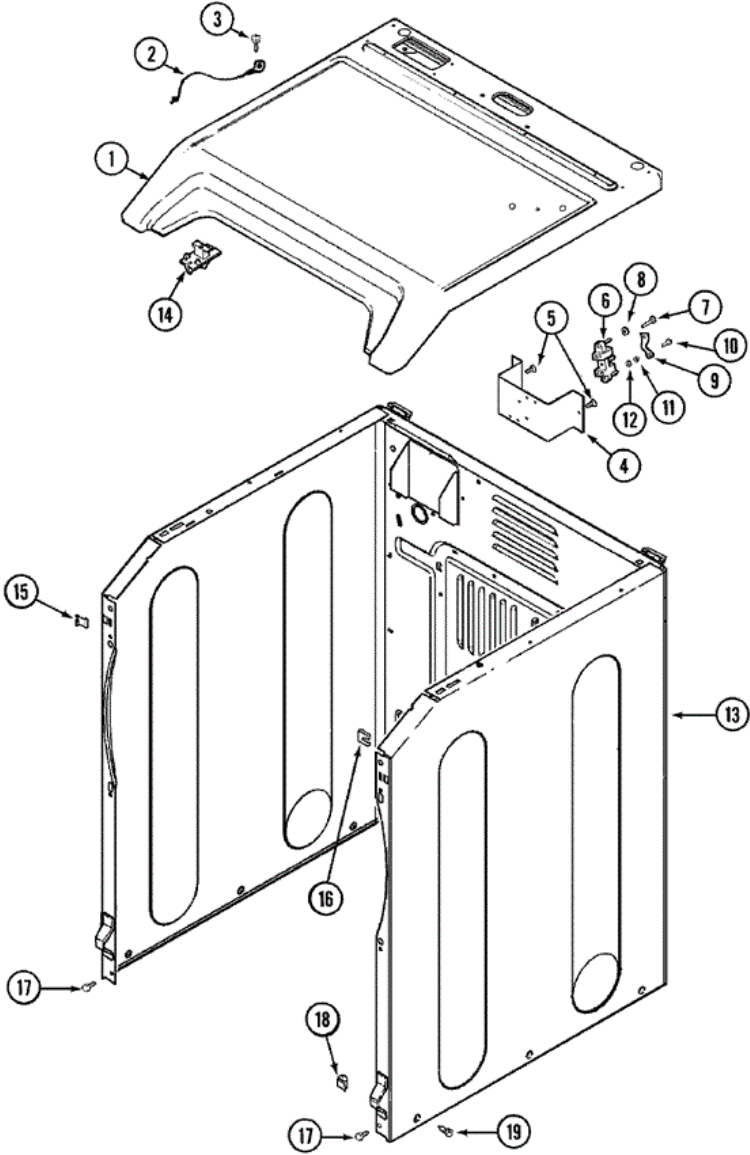


MDE3000AYA GABINETE

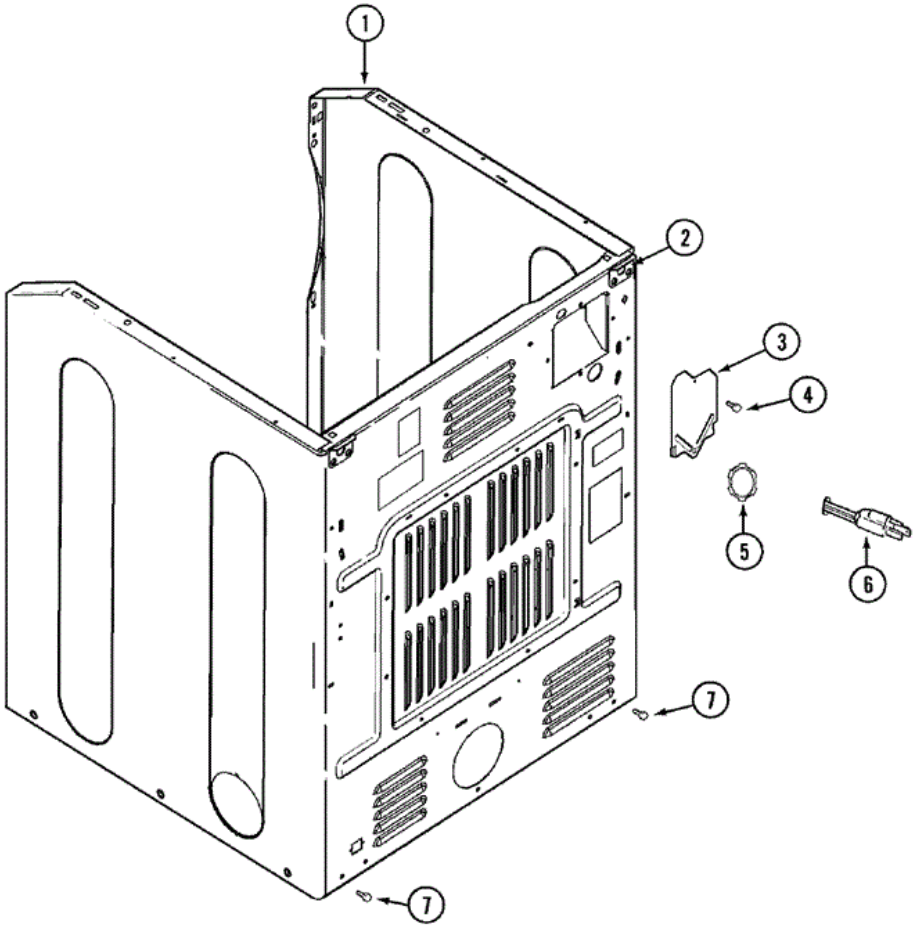




MDE3000AYA GABINETE

1	33001866	10	COVER, TOP (ALM)----NA
2	33001859	10	WIRE, GROUND
3	210186	10	SCREW, GROUND WIRE TO BASE--NA
4	33001826	10	BRACKET, TERMINAL BLOCK----NA
5	22001995	10	SCREW
6	33001244	10	BLOCK, TERMINAL
7	Y312209	10	SCREW, NO.10-24 X 3/4 INCH
8	Y311270	10	WASHER, TERMINAL BLOCK
9	Y312184	10	STRAP, GROUND
10	33001245	10	SCREW----NA
11	311484	10	NUT, TERMINAL BLOCK
12	311093	10	WASHER, 7/32 INCH
13	33001844	10	CABINET (ALM)
14	33001872	10	PIN, LOCATOR
15	22002049	10	CLIP
16	213280	10	FRONT PANEL BRACKET/FASTENER
17	22001995	10	SCREW
18	Y310376	10	CLIP, WIRE HARNESS
19	213007	10	SCREW, CABINET

MDE3000AYA GABINETE

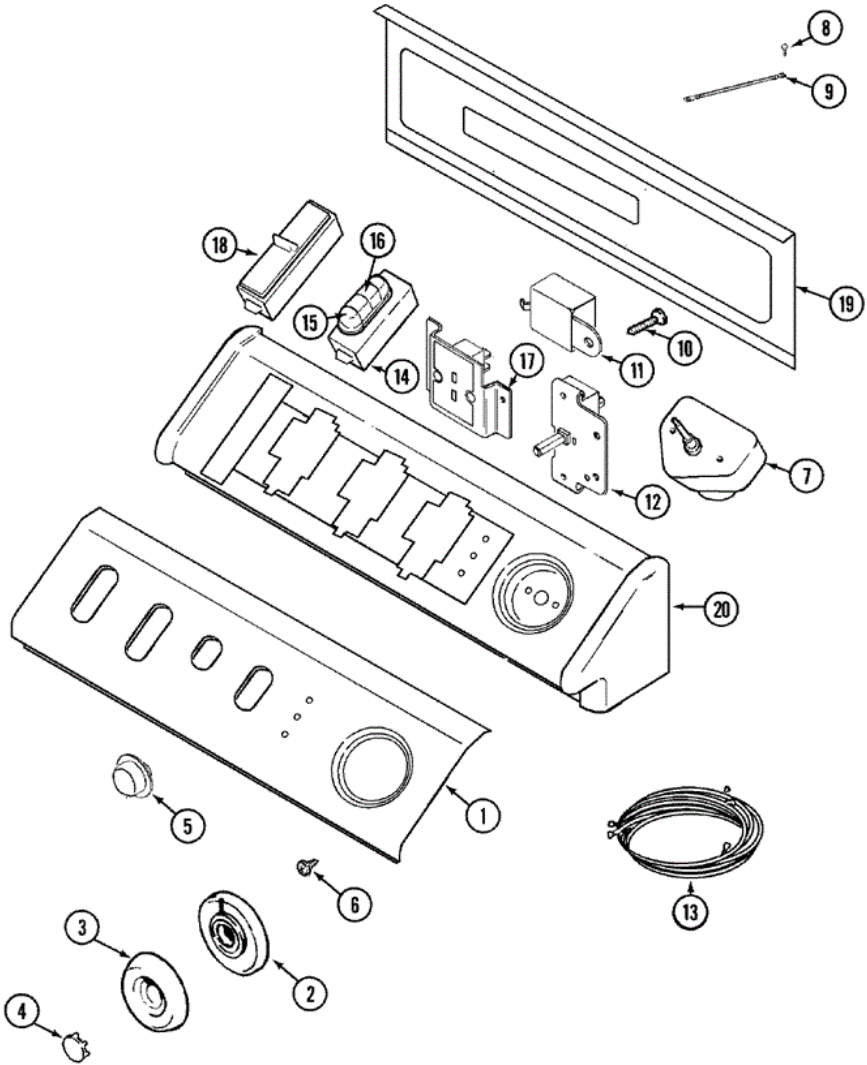




MDE3000AYA GABINETE

1	33001844	10	CABINET (ALM)
1	33002118	10	LABEL, SAFETY
1	33002119	10	LABEL, SAFETY
2	33001827	10	BRACKET, CABINET HINGE
3	33001795	10	COVER, TERMINAL BLOCK
4	22001995	10	SCREW
7	22001995	10	SCREW

MDE3000AYA TABLERO

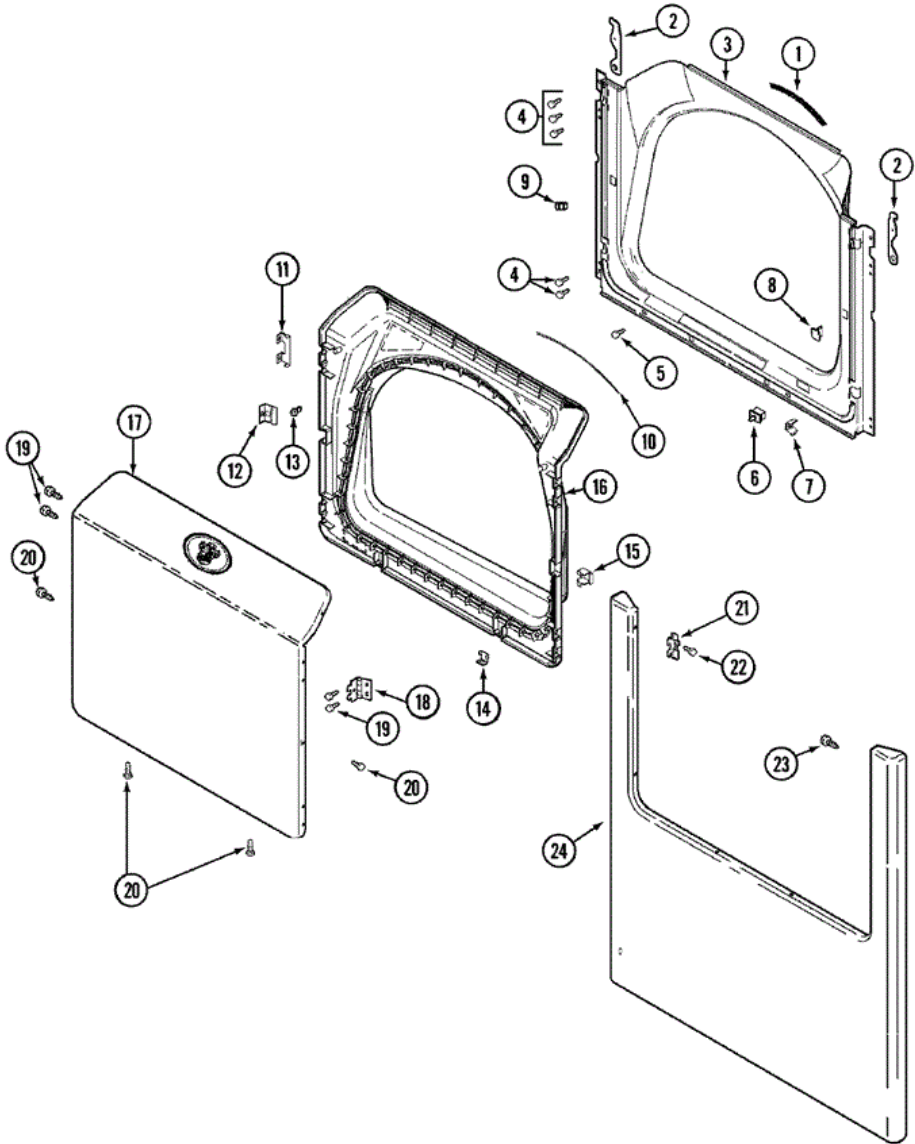




MDE3000AYA TABLERO

1	33001858	10	PANEL, CONTROL (ALM)
1	Y22002339	10	SCREW
2	33001622	10	SKIRT, TIMER DIAL (ALM)
3	22001659	10	TIMER KNOB - GREY
4	22001665	10	INSERT, TIMER KNOB (ALM)
5	33001620	10	BUTTON, PUSH TO START (ALM)
6	33001690	10	SCREW, TIMER
7	33001730	10	TIMER
8	210186	10	SCREW, GROUND WIRE TO BASE--NA
9	33001859	10	WIRE, GROUND
10	33001860	10	SCREW, END OF CYCLE----NA
11	33001660	10	SIGNAL, END OF CYCLE
11	33001848	11	SIGNAL, END OF CYCLE (CHIME)
12	33001862	10	SWITCH, PUSH TO START (ALM)
13	33001863	10	WIRE HARNESS, MAIN
13	33001888	11	WIRE HARNESS, MAIN
14	22001909	10	SWITCH, OPTION (4 POS.-ALM)
15	22001790	10	BUTTON (ALM-END)
16	22001791	10	BUTTON (ALM-MDL)
17	33001662	10	DISPLAY, DRYNESS (ALM)
18	33001658	10	SWITCH, TEMPERATURE (ELC.)
19	216423	10	SCREW
19	33001806	10	BACK, CONSOLE PANEL
20	22002286	10	CONSOLE (ALM)
21	33001874	10	MANUAL, USE & CARE

MDE3000AYA PUERTA

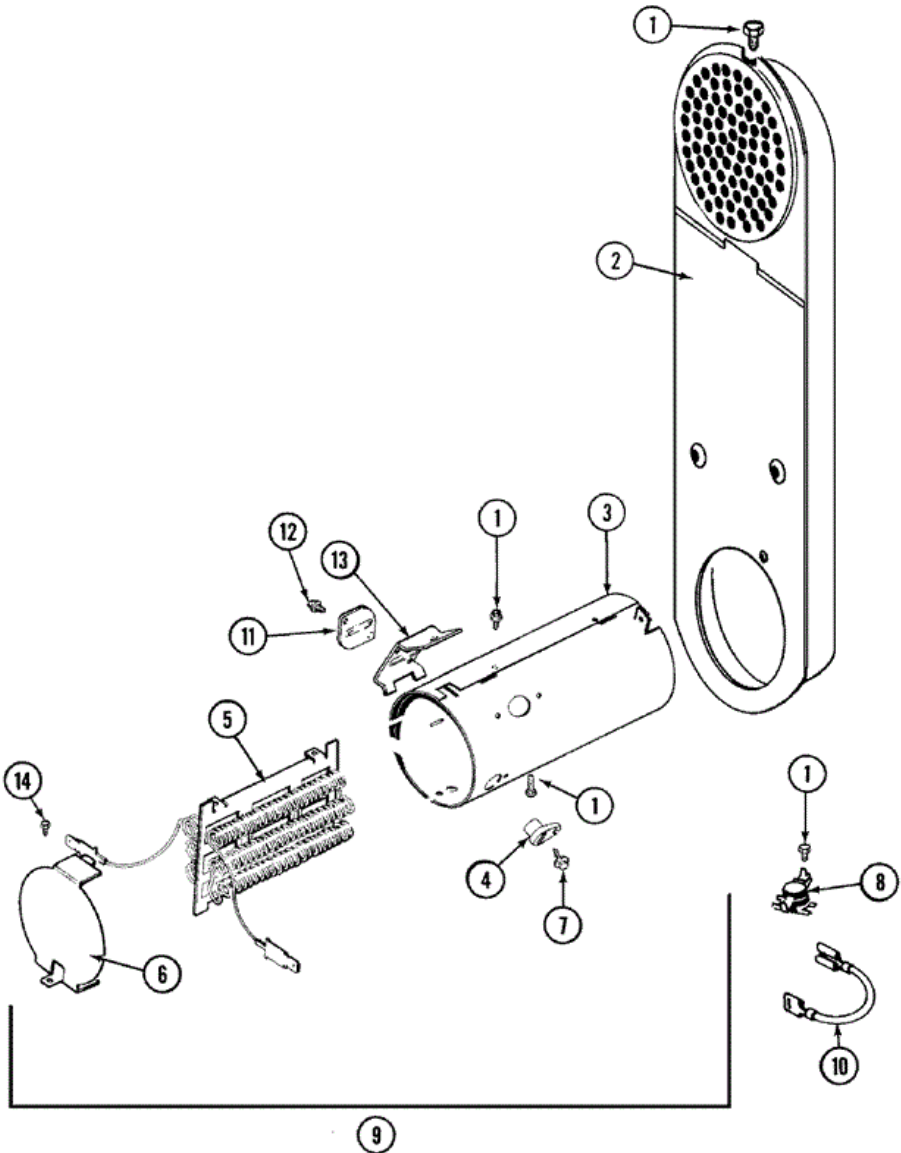




MDE3000AYA PUERTA

1	33001767	10	SEAL, SHROUD
2	22002033	10	HOOK, SECURITY
3	33001779	10	SHROUD (ALM)----NA
3	33002116	10	LABEL, SAFTEY
4	22001995	10	SCREW
5	33001768	10	SCREW, SHROUD
6	33001508	10	SWITCH, DOOR
7	33001760	10	BRACKET, HINGE
8	33001174	10	PLUG, DOOR CATCH
9	33001791	10	CATCH, DOOR (W/PLUG)
9	Y304578	10	CATCH, DOOR (FEMALE)
10	33002094	10	SEAL, DOOR
11	22002038	10	CLIP, DOOR (DOUBLE)
12	33001793	10	BRACKET, STRIKE
13	33001761	10	STRIKE, DOOR (MALE)
14	22002039	10	CLIP, DOOR (SINGLE)
15	33001763	10	PLUG, INNER DOOR
16	33001751	10	INNER DOOR/ W SEAL (ALM)
17	22001817	10	SHEET, SOUND DAMPER (FT. PNL)
17	22002261	10	PANEL, DOOR (ALM-W/MEDALLION)
17	33001893	10	LABEL, OPEN DOOR (DRYER)
18	33001759	10	HINGE, DOOR
19	22002062	10	SCREW
20	22002064	10	SCREW, OUTER DOOR (ALM)
21	33002349		COVER, HINGE HOLE (BSQ)
21	33001765	10	COVER, HINGE HOLE (ALM)
22	33001787	10	SCREW, HINGE
23	22002012	10	SCREW, HINGE
24	22002242	10	PANEL, FRONT (ALM)
24	33001221	10	PAD, SOUND DAMPER
24	33001867	10	PAD, FRONT

MDE3000AYA QUEMADOR

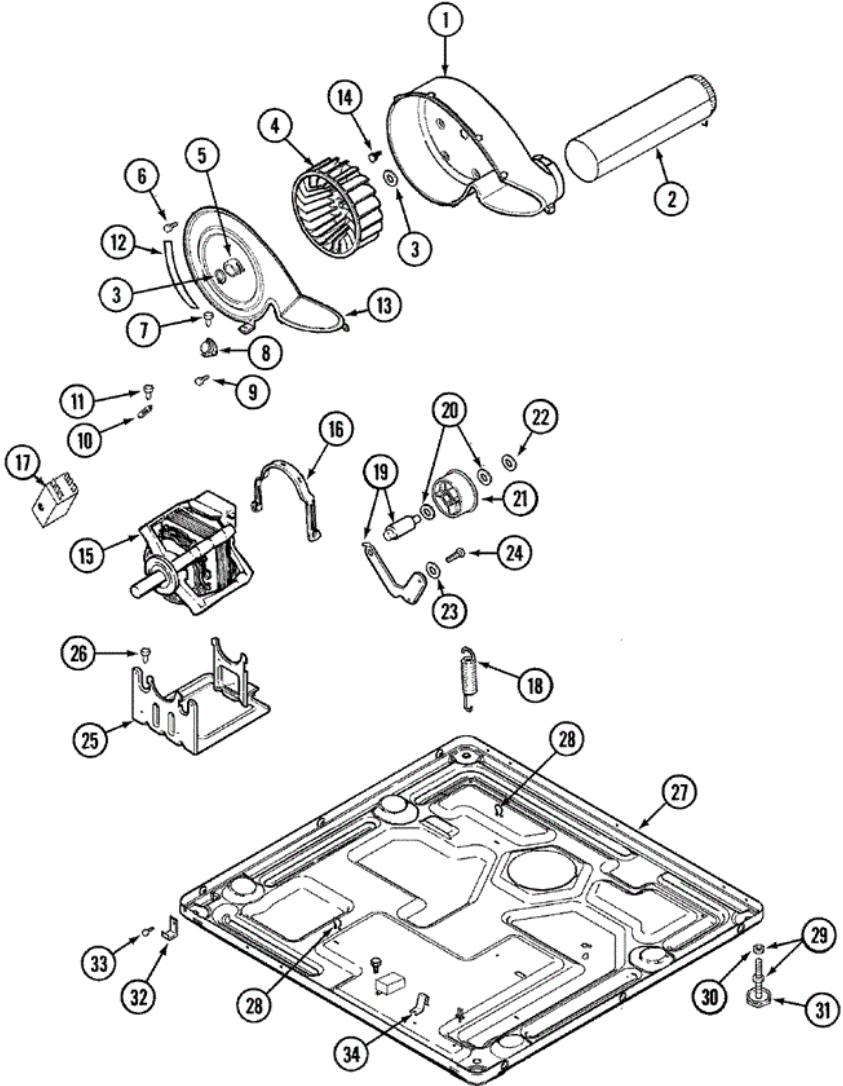




MDE3000AYA QUEMADOR

1	211294	10	SCREW
2	33001803	10	DUCT ASSY., INLET
3	314995	10	HEATER ENCLOSURE
4	314998	10	INSULATOR, TERMINAL
5	307184	10	HEATER SUB-ASSEMBLY (240V)
6	314999	10	SHIELD, RADIANT
7	314554	10	SCREW
8	303396	10	THERMOSTAT, HI-LIMIT (ELEC)
9	307178	10	HEATER ASSEMBLY(COMPLETE 240V)
10	Y307173	10	WIRE, JUMPER
11	307473	10	FUSE, THERMAL
12	33001860	10	SCREW, END OF CYCLE----NA
13	315346	10	BRACKET, THERMAL FUSE
14	22001996	10	SCREW
14	Y308590	10	CONVERSION KIT (240V TO 208V)

MDE3000AYA MOTOR



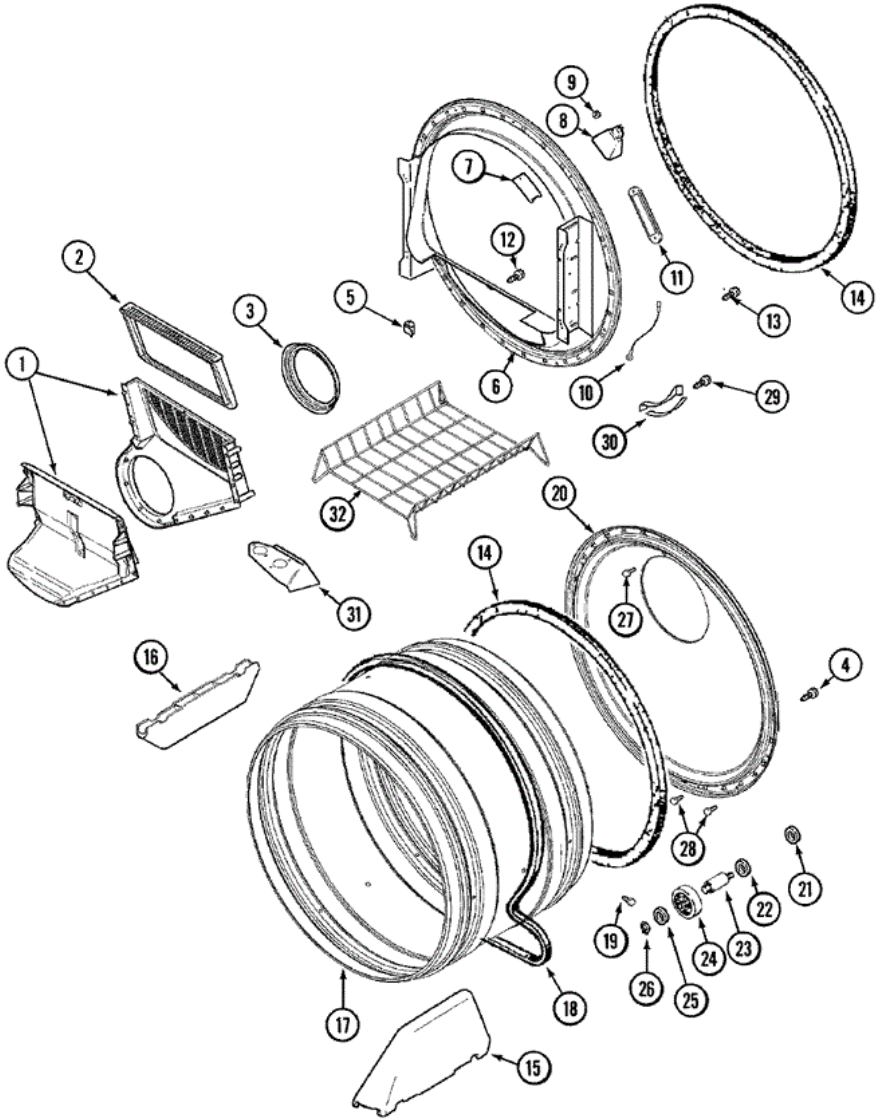


MDE3000AYA MOTOR

1	33001789	10	HOUSING, BLOWER
2	22001995	10	SCREW
2	33001800	10	DUCT ASSY., EXHAUST
3	410233	10	RING, RETAINING
4	33001790	10	WHEEL, BLOWER
5	312967	10	CLAMP, BLOWER HOUSING
6	33001855	10	SCREW (HEX HEAD)
7	Y313561	10	SCREW----NA
8	306911	10	THERMOSTAT,(ELEC) MULTI-TEMP
9	22001996	10	SCREW
10	33001762	10	FUSE, THERMAL (W' BRACKET)
11	314848	10	SCREW
12	33001772	10	SEAL, BLOWER COVER
13	33002560	10	SEAL, BLOWER
14	314818	10	SCREW
15	33001853	10	MOTOR (W/PULLEY)
15	33002237	13	MOTOR (W/PULLEY)
15	33002478	28	MOTOR
16	Y015825	10	CLIP, MOTOR
17	33001854	10	SWITCH, MOTOR
18	33001754	10	SPRING, IDLER
18	33002157	10	GROMMET
19	33001840	10	IDLER ARM & SHAFT ASSY.
20	Y312527	10	WASHER, IDLER SHAFT (QTY-1)
21	33001783	10	BEARING, IDLER ASSEMBLY
22	312958	10	RETAINING RING, IDLER SHAFT
23	315772	10	SLEEVE, IDLER ARM
24	Y014874	10	SCREW
25	33001752	10	SUPPORT, MOTOR
26	Y313561	10	SCREW----NA
27	33001845	10	BASE
28	410490	10	SPRING, WIRE HARNESS
29	Y305086	10	ADJUSTABLE LEG & NUT

30	Y052740	10	NUT
31	Y314137	10	FOOT, RUBBER
32	22002239	10	CLIP, LOWER FRONT PANEL
33	Y310632	10	SCREW
34	22002244	10	CLIP, GROUNDING

MDE3000AYA TAMBOR





MDE3000AYA TAMBOR

1	33001799	10	OUTLET DUCT ASSEMBLY
2	33001808	10	FILTER, LINT
3	33001758	10	SEAL, BLOWER
4	33002190	10	SCREW (NO.10-3/8")
5	Y310376	10	CLIP, WIRE HARNESS
6	33001868	10	FRONT, TUMBLER FRONT W/SENSOR
7	33001869	10	LENS, DRUM LIGHT
7	33001871	10	SCREW
8	22002263	10	LAMP (10 WATT)
8	33001870	10	HOLDER, LAMP (W/HOUSING)
9	214872	10	PALNUT, END CAP
10	211294	10	SCREW
10	Y303711	10	SENSOR GROUND WIRE
11	22001078	10	SCREW
11	33001809	10	SENSOR BAR ASSY.
12	312311	10	SCREW----NA
13	33001855	10	SCREW (HEX HEAD)
14	33001807	10	SEAL, TUMBLER
15	33001756	10	BAFFLE (TALL)
16	33001755	10	BAFFLE (SHORT)
17	33001889	10	TUMBLER
18	33001777	10	BELT, TUMBLER
19	33001788	10	SCREW, BAFFLE
20	33001801	10	BACK, TUMBLER (W/SEAL)
21	33001443	10	NUT, HEX (ROLLER SHAFT)
22	Y313347	10	WASHER, SPRING (ROLLER SHAFT)
23	Y312948	10	SHAFT, TUMBLER ROLLER
24	Y303373	10	BEARING & ROLLER ASSEMBLY
25	312535	10	WASHER, ROLLER SHAFT
26	410233	10	RING, RETAINING
27	210932	10	SCREW, NO.8 X 9/16 CTSK
28	22001996	10	SCREW
29	210720	10	RIVET

30	306508	10	TUMBLER BEARING KIT
32	33001917	10	RACK, DRYING