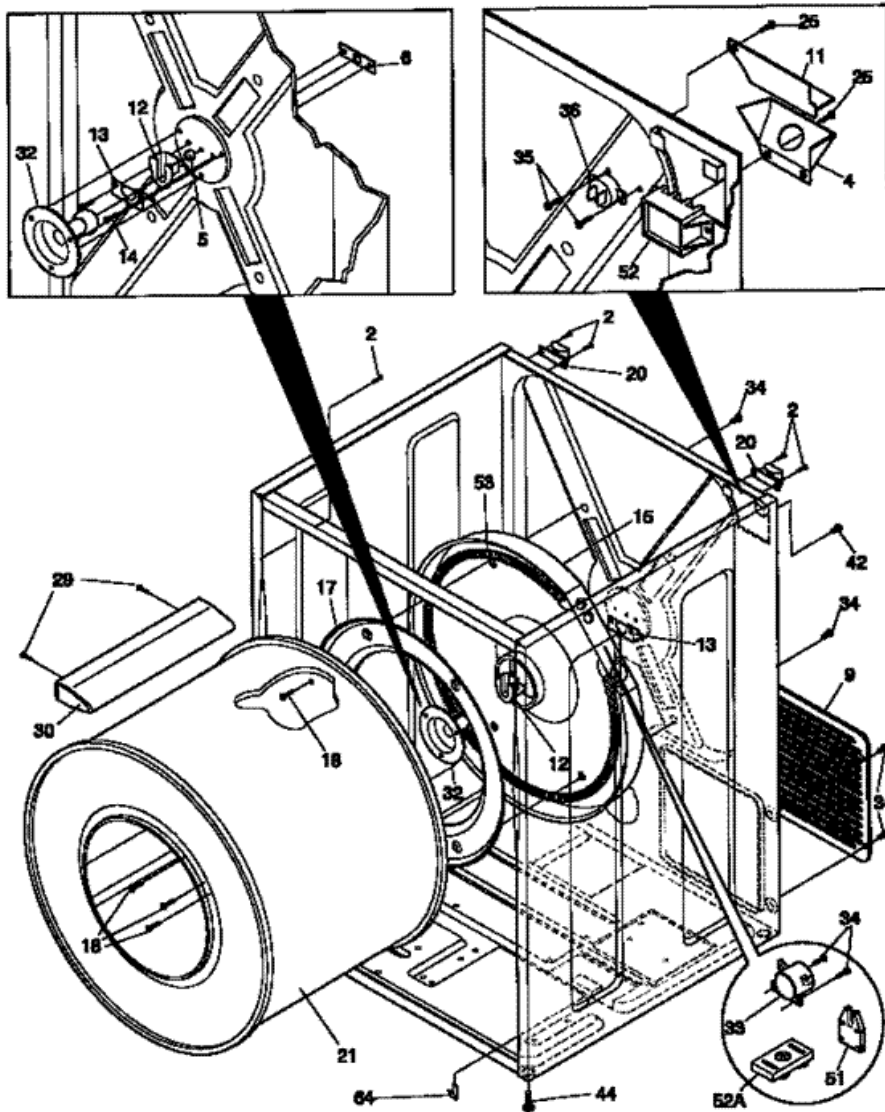


Distribuidor Autorizado

SurteRápido.com

Venta de Refacciones
Electrodomesticas

MDE336REW1 TAMBOR





MDE336REW1 TAMBOR

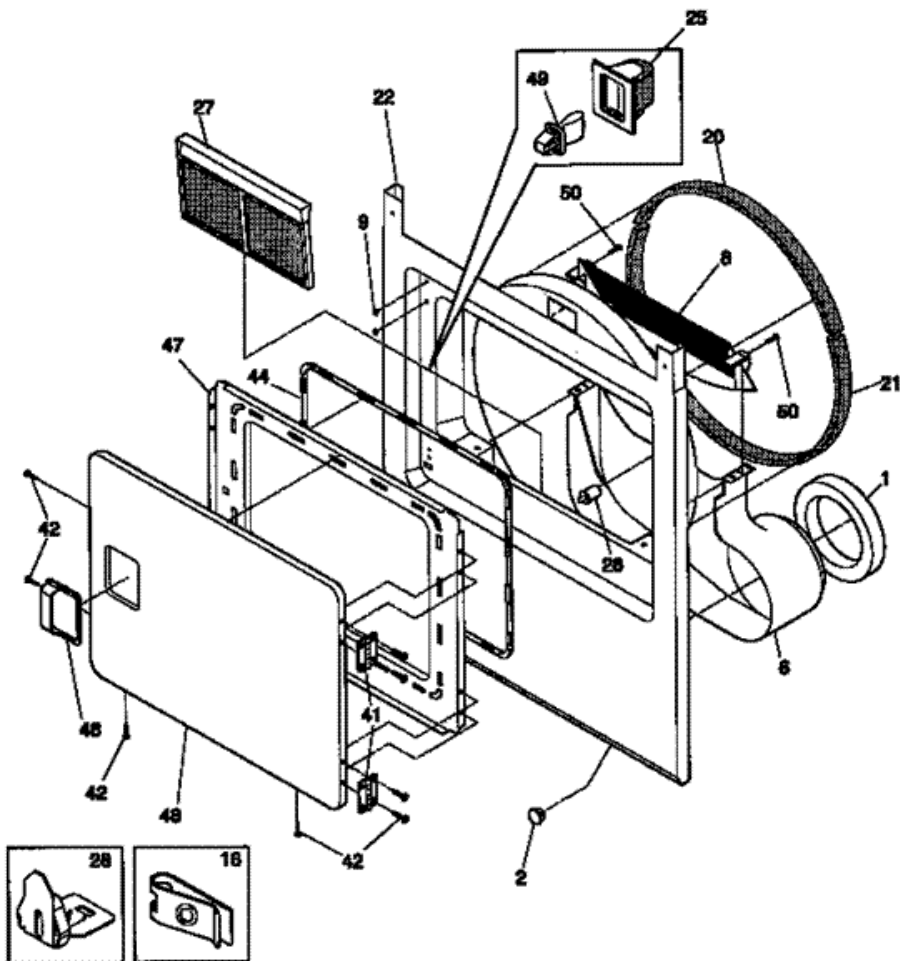
2	131168200	SCREW, 8-18 X 0.31 (S/P)
4	131785200	BRACKET-CORD (S/P)
5	5303281019	BALL (S/P)
6	5303281020	CLIP-BALL (S/P)
9	131793201	PANEL-ACCESS (S/P)
11	5303211428	COVER-TERM BLOCK (S/P)
12	131825900	BEARING-SHAFT
13	131724300	BRACKET-BEARING (S/P)
14	131205400	SCREW-BRACKET, 10-16B X 1.375 (S/P)
15	131553900	HEATER-HSG ASSY
17	3204254	BAFFLE-HEATER (S/P)
18	131477000	SCREW-SHAFT & BAFFLE (S/P)
20	131469100	BRACKET-HINGE (S/P)
21	134138200	DRUM, GALV BACK (S/P)
25	5303015671	SCREW (S/P)
29	131382300	SCREW-VANE, QUADREX HEAD (S/P)
30	5303201200	VANE
32	137088600	SHAFT ASSY (S/P)
33	3204267	THERMOSTAT-SAFETY
34	215822000	SCREW, PAN HEAD, 8-18AB X 0.375 (S/P)
35	8010804	SCREW, PPH B ST/Z, 6-20 X .19 (S/P)
36	134120900	THERMAL LIMITER (S/P)
42	131301100	SCREW-GROUND CAB, (S/P)
44	131527400	FOOT-CABINET
51	131472100	INSULATOR-HEATER HSG (S/P)
52	134101400	BLOCK-TERMINAL (S/P)
52	3202786	BLOCK-TERMINAL, HEATER HSG (S/P)
53	3937010	COIL-HEATER
64	131704600	CLIP, CABINET BOTTOM (S/P)

Distribuidor Autorizado

SurteRápido.com

Venta de Refacciones
Electrodomesticas

MDE336REW1 PUERTA





MDE336REW1 PUERTA

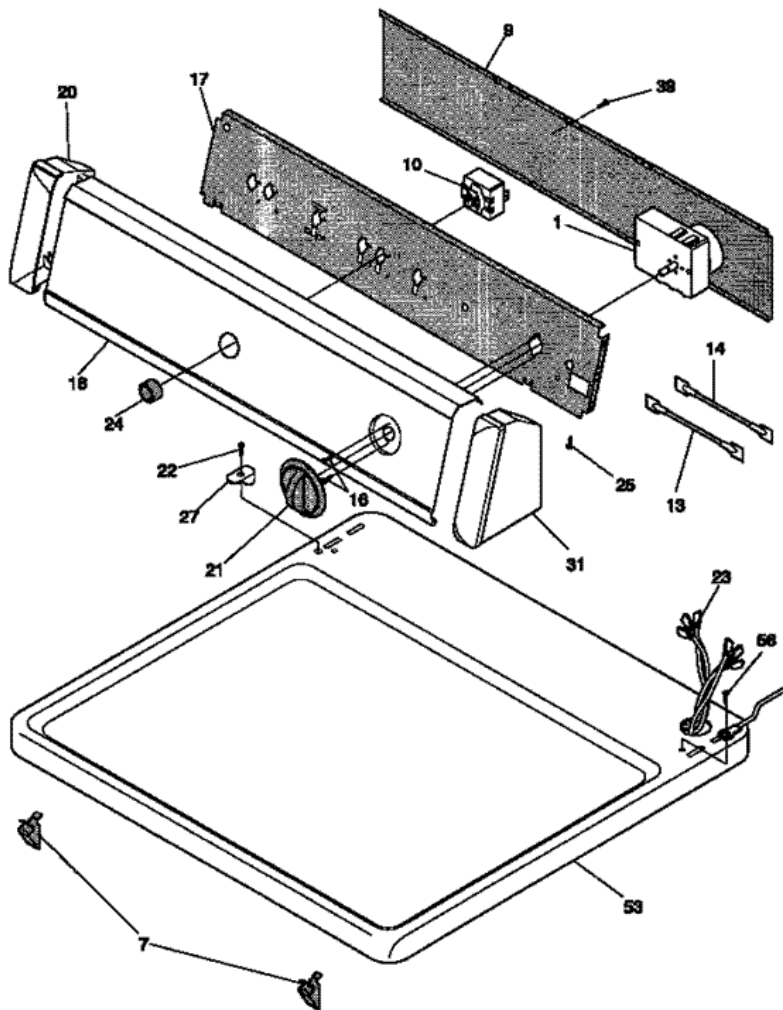
1	134417000	SEAL-AIR DUCT (S/P)
2	131397000	PLUG, WHITE (S/P)
6	131621900	DUCT-AIR (S/P)
8	131622202	COVER-LINT TRAP
9	131633200	PLUG WHITE (S/P)
16	131063700	CLIP-WIRING (S/P)
20	5303937139	GLIDE-DRUM
21	5303281049	SEAL-BASKET LOWER
22	5303937171	PANEL-FRONT WHITE (S/P)
25	131658800	CATCH-DOOR (S/P)
26	5308001614	SWITCH-DOOR
27	131450300	LINT TRAP
28	5303281074	CLIP-GUIDE, (3)
41	134222900	HINGE-DOOR (S/P)
42	131301100	SCREW-GROUND CAB, (S/P)
44	131129900	GASKET-DOOR
46	131644700	HANDLE-DOOR, WHITE
47	131574004	DOOR-INNER WHITE (S/P)
48	131789303	DOOR-OUTER WHITE (S/P)
49	5303207102	STRIKE-DOOR (S/P)
50	131303300	SCREW-LOCK, PH AB, 10-16 X .50 (S/P)

Distribuidor Autorizado

SurteRápido.com

Venta de Refacciones
Electrodomesticas

MDE336REW1 TABLERO





MDE336REW1 TABLERO

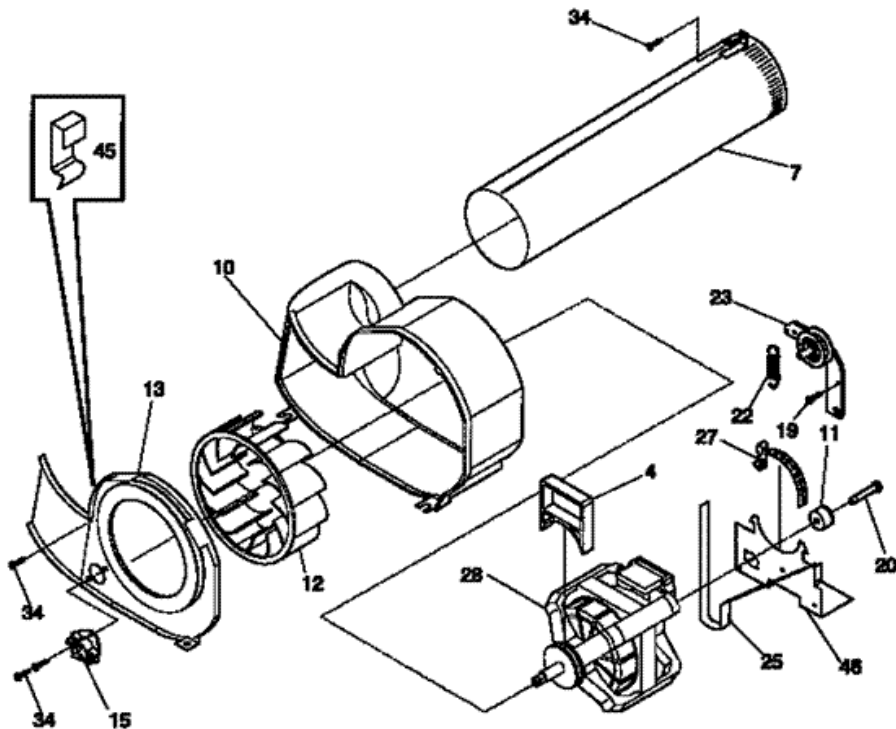
1	131062300	TIMER-DRYER
7	3205821	CLIP-TOP PANEL, TO FRONT PANEL (S/P)
9	3205898	BACKSHEET-CONSOLE (S/P)
10	131469000	SWITCH-PUSH/START
13	3205877	RESISTOR, 3.0K (S/P)
14	134446800	RESISTOR-POWER, 4.4K (S/P)
16	5303283289	SCREW, CR PAN HEAD, 8-32 X 0.25 (S/P)
17	131728900	BRACKET-CONTROLS (S/P)
18	131508900	PANEL-CONTROL, GRAY/BLACK (S/P)
20	5303291344	END CAP, BLACK, LH
21	131873200	KNOB-TIMER
22	131266300	SCREW-END CAP, CR OVAL HEAD (S/P)
23	134003700	HARNESS-MAIN DRYER (S/P)
24	131111500	KNOB-START SWITCH, BLACK
25	5303015671	SCREW (S/P)
27	131197000	CLIP-CONTROL PANEL (S/P)
31	5303291352	END CAP, BLACK, RH
39	131205100	SCREW, NO. 8 PAN HEAD, 10-10B X 0.50 (S/P)
53	131601318	PANEL-TOP WHITE (S/P)
56	131243800	SCREW, PAN HD LOCKING, (S/P)

Distribuidor Autorizado

SurteRápido.com

Venta de Refacciones
Electrodomesticas

MDE336REW1 MOTOR





MDE336REW1 MOTOR

4	131435200	LOCK-FAN HOUSING (S/P)
7	131451600	TUBE-EXHAUST (S/P)
10	131775600	HOUSING-FAN
11	131553600	SPACER-IDLER (S/P)
12	131775600	WHEEL-BLOWER
13	131775600	COVER-FAN
15	131298300	THERMOSTAT-CONTROL (S/P)
19	131205300	SCREW, 10-16 X .75 (S/P)
20	131017900	SCREW-SPACER, HEX HEAD (S/P)
22	131601000	SPRING-IDLER (S/P)
23	131863000	ARM-IDLER, W/PULLEY
25	134503600	BELT-DRYER
27	131419800	CLAMP-MOTOR (S/P)
28	131560100	MOTOR-MAIN, W/PULLEY
34	215822000	SCREW, PAN HEAD, 8-18AB X 0.375 (S/P)
45	131618200	CLIP-COVER (S/P)
46	131377500	BRACKET-MOTOR (S/P)