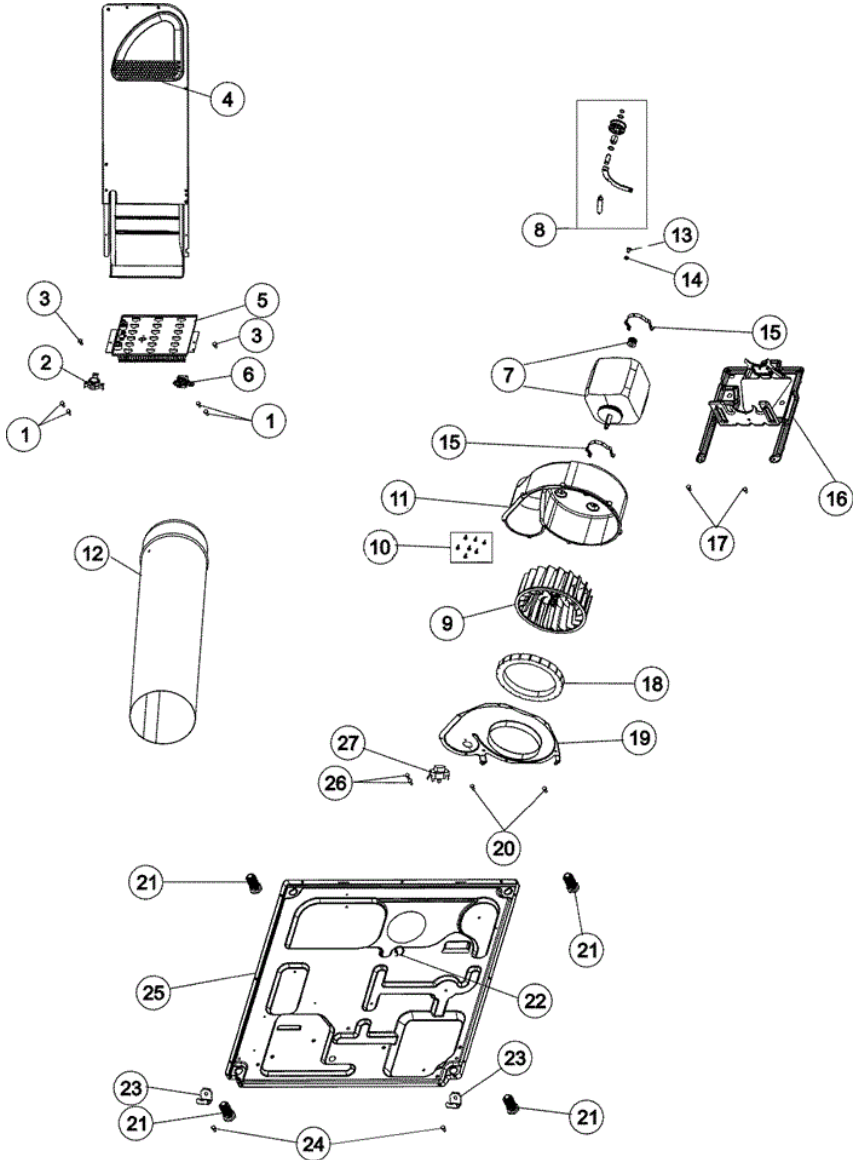


**MDE3706AYW BASE**

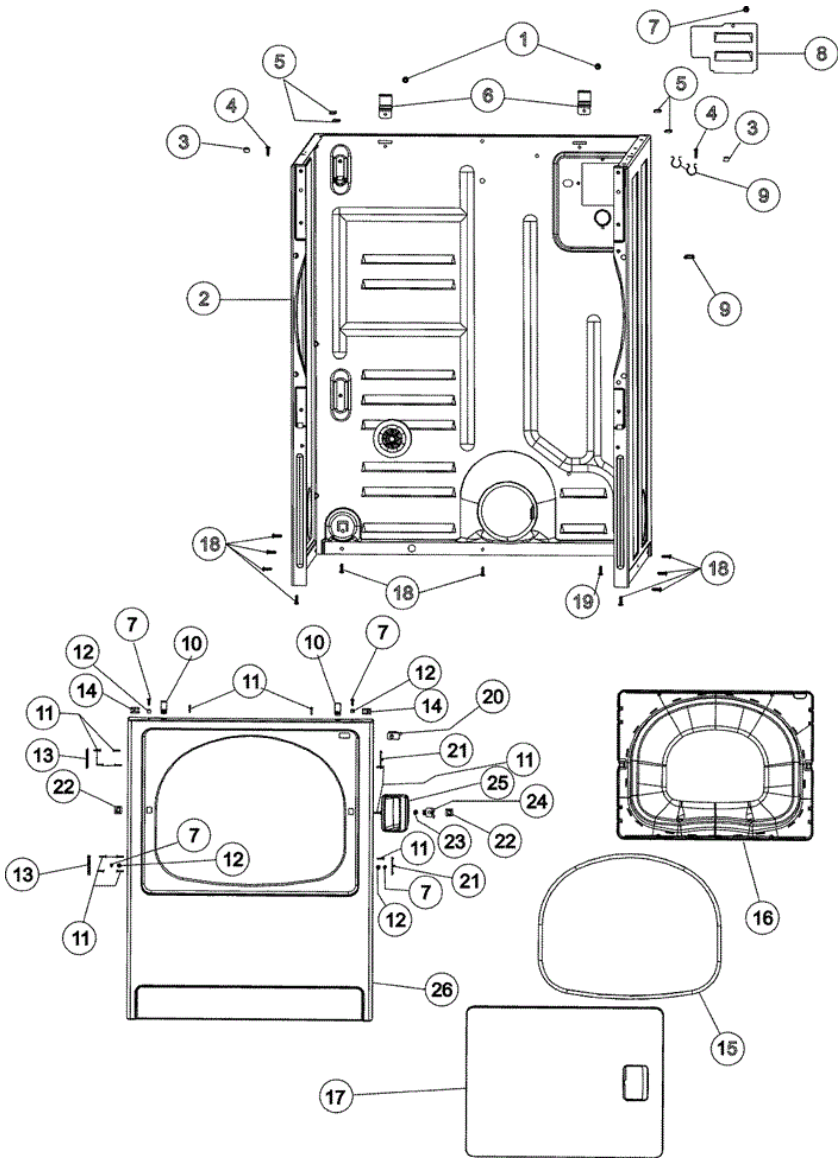




## MDE3706AYW BASE

1	23222	10	SCREW, 8B-18 X 1/4 HE
2	Y62641	10	THERMOSTAT, LIMIT
3	503688	10	SCREW
4	503605	10	ASSEMBLY, HEATER DUCT
5	Y503978	10	HEATER ELEMENT
6	40113801	10	FUSE, THERMAL
7	2200376	10	MOTOR
8	37001287	10	ASSY, IDLER LEVER/SHAFT/PULLEY
9	56000	10	ASSEMBLY, BLOWER FAN
10	31260	10	SCREW, NO.8 X 3/8 IND H
11	56020	10	HOUSING, BLOWER
12	505518	10	DUCT, EXHAUST
13	500824	10	SCREW, 1/4-20 UNC HEX
14	27001225	10	NUT, JAM MID LOCK 1/4-20
15	Y58047	10	CLAMP, MOTOR MOUNT
16	503613	10	MOUNT, MOTOR
17	27001200	10	SCREW (12-14X1/2 TYPE B
18	37001119	10	SEAL, BLOWER HOUSING
19	500078	10	COVER, BLOWER HOUSING
20	503688	10	SCREW
21	Y500101	10	LEG, LEVELING (PLASTIC)
22	504034	10	CLIP, WIRE
23	37001145	10	CLIP, FRONT PANEL
24	27001200	10	SCREW (12-14X1/2 TYPE B
25	37001156	10	DRYER BASE
26	501086	10	SCREW, 8B-18X3/8 SLT
27	37001136	10	THERMOSTAT, CYCLING 146F

**MDE3706AYW GABINETE**

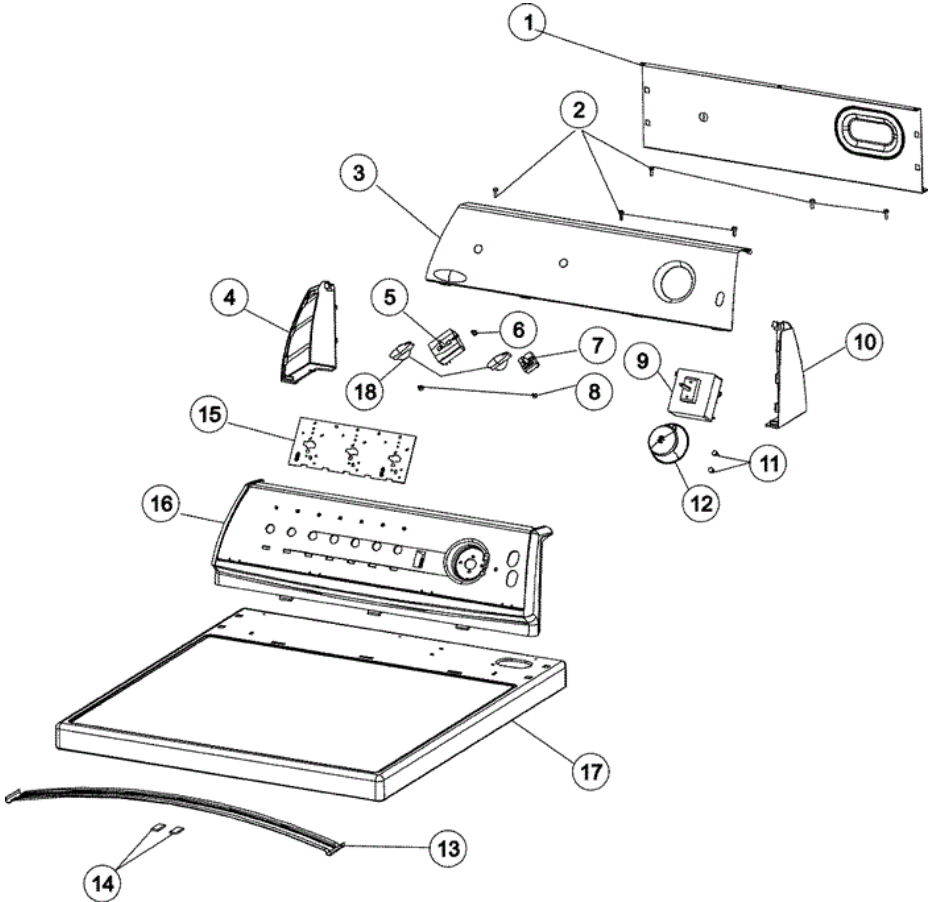




## MDE3706AYW GABINETE

1	503688	10	SCREW
2	37001155	10	CABINET, WHITE/W/LOUVERS
3	505187	10	LOCATOR, PANEL
4	32671	10	SCREW, TAPPING
5	Y56128	10	PAD, BUMPER
6	500003	10	HINGE, TOP
7	32671	10	SCREW, TAPPING
8	503293	10	PLATE, ACCESS COVER
9	504034	10	CLIP, WIRE
10	25-7220	10	CLIP, CABINET TOP
11	37001030	10	SCREW, NO.8AB-16X3/4 FH
12	505187	10	LOCATOR, PANEL
13	Y503676	10	HINGE, DOOR & TOP
14	213280	10	FRONT PANEL BRACKET/FASTENER
15	504005	10	SEAL, FRONT PANEL
16	37001028	10	SEAL & LINER, ASSY(INNER DOOR)
17	37001029	10	DOOR, DRYER (WHT)
18	27001200	10	SCREW (12-14X1/2 TYPE B
19	20530	10	SCREW, 10-24X3/8 HEX
20	Y504570	10	SWITCH, DOOR
21	503126	10	PLUG, HINGE HOLE
22	54660	10	CATCH, DOOR
23	500039	10	STRIKE, DOOR (METAL)
24	40116201	10	BRACKET,DOOR STRIKE
25	33001241	10	HANDLE, DOOR (WHT)
26	37001154	10	FRONT PANEL - WHITE

**MDE3706AYW TABLERO**

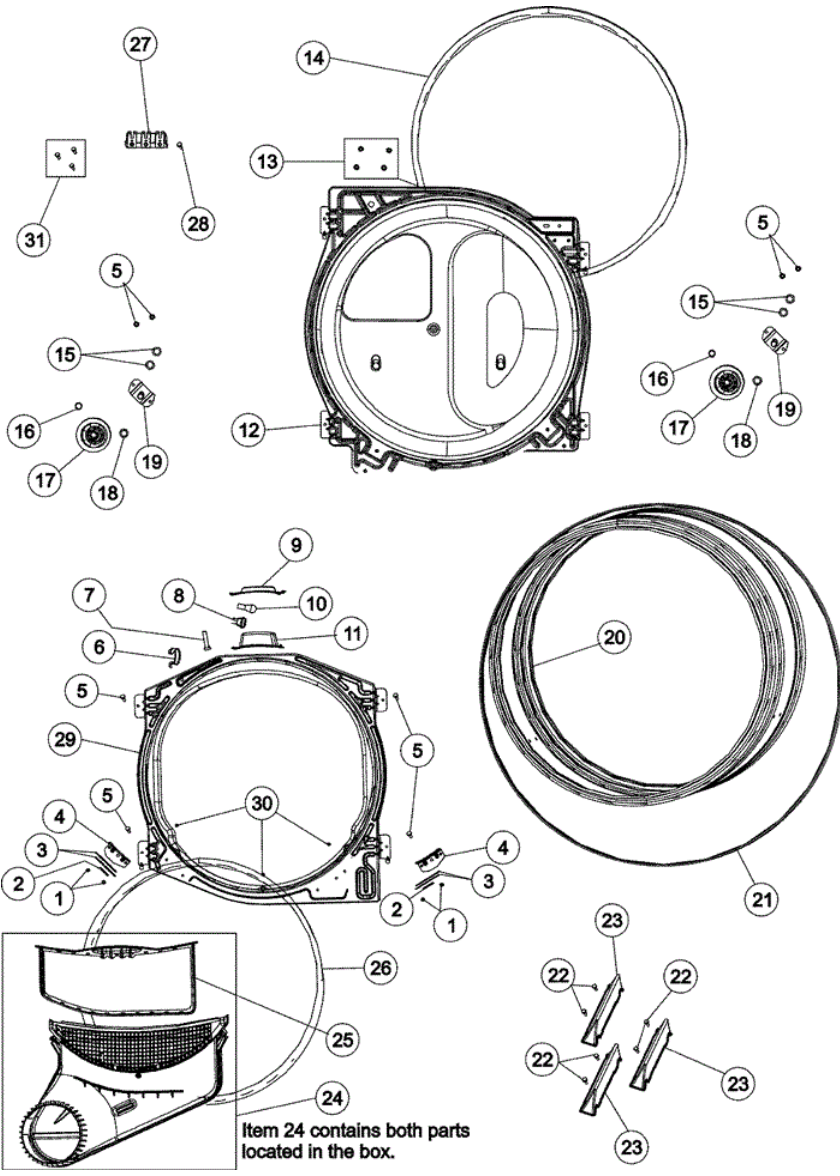




## MDE3706AYW TABLERO

1	37001233	10	SHIELD, BACKGUARD
2	21002224	10	SCREW
3	37001210	10	FACIA
4	21001519	10	ENDCAP (WHT-LT)
5	37001165	10	SWITCH, TEMP - 4 POSITION
6	501086	10	SCREW, 8B-18X3/8 SLT
7	31001190	10	SWITCH, TWO POSITION ROTARY
8	31260	10	SCREW, NO.8 X 3/8 IND H
9	37001240	10	TIMER - DRYER
10	21001523	10	ENDCAP (WHT-RT)
11	37001031	10	SCREW, NO.8-32X3/8`` HEX
12	31001567	10	KNOB/SKIRT, TIMER
13	500121	10	PAD, FELT-COIN
14	56486	10	BRACE, TOP
15	21001603	10	SHIELD, CONTROL (3 POS.)
16	21001965	10	FRAME, CONTROL PANEL, SUPPORT
17	37001232	10	COVER, TOP - WHITE/DRYER
18	21002070	10	KNOB, SELECTOR

**MDE3706AYW TAMBOR**



Item 24 contains both parts located in the box.



## MDE3706AYW TAMBOR

1	37001031	10	SCREW, NO.8-32X3/8`` HEX
2	500121	10	PAD, FELT-COIN
3	40116501	10	GLIDE,CYLINDER(TAN)
4	37001036	10	BRACKET, CYLINDER GLIDE
5	503661	10	SCREW, 10-16X.44 UNS
6	504034	10	CLIP, WIRE
7	505295	10	SCREW, NO.8AB-16X3/4 PH
8	504458	10	HOLDER, LAMP
9	40094301	10	LENS, LIGHT
10	Y60954	10	LIGHT, CYLINDER
11	503622	10	HOUSING, CYLINDER LIGHT
12	504801W	10	BULKHEAD, REAR (WHT)
13	503688	10	SCREW
14	37001132	10	SEAL, CYLINDER
15	52549	10	WASHER, 501 ID X3/4 ODX
16	23748	10	RING, RETAINING
17	37001042	10	ASSEMBLY, CYLINDER ROLLER
18	Y504082	10	WASHER, WAVE
19	40113601	10	ASSY, ROLLER BRKT
20	504467W	10	ASSEMBLY, CYLINDER (WHT)
21	40111201	10	BELT, CYLINDER
22	Y62588	10	SCREW, 10BT-12 X 1 TAP
23	37001125	10	BAFFLE, (WHT)
24	37001141	10	AIR DUCT ASSEMBLY
25	37001142	10	FILTER, LINT
26	37001132	10	SEAL, CYLINDER
27	37001299	10	SHIELD, TERMINAL BLOCK
27	61923	10	BLOCK, TERMINAL
28	501285	10	SCREW, NO.12 X 9/16
29	503616W	10	ASSY, BLKHD FRONT LIT (WHT)
30	37001030	10	SCREW, NO.8AB-16X3/4 FH
31	37001300	10	SCREW PKG, TERMINAL BLOCK