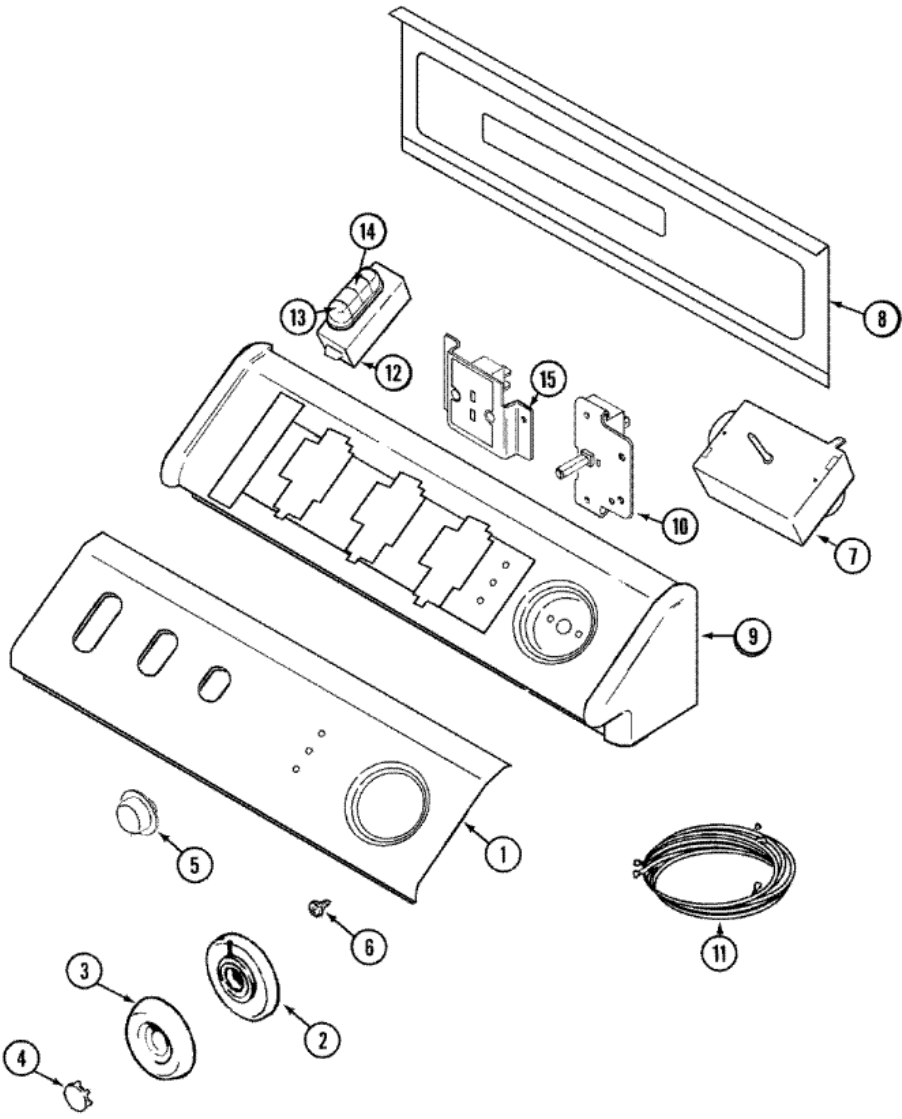


MDE600AYQ TABLERO

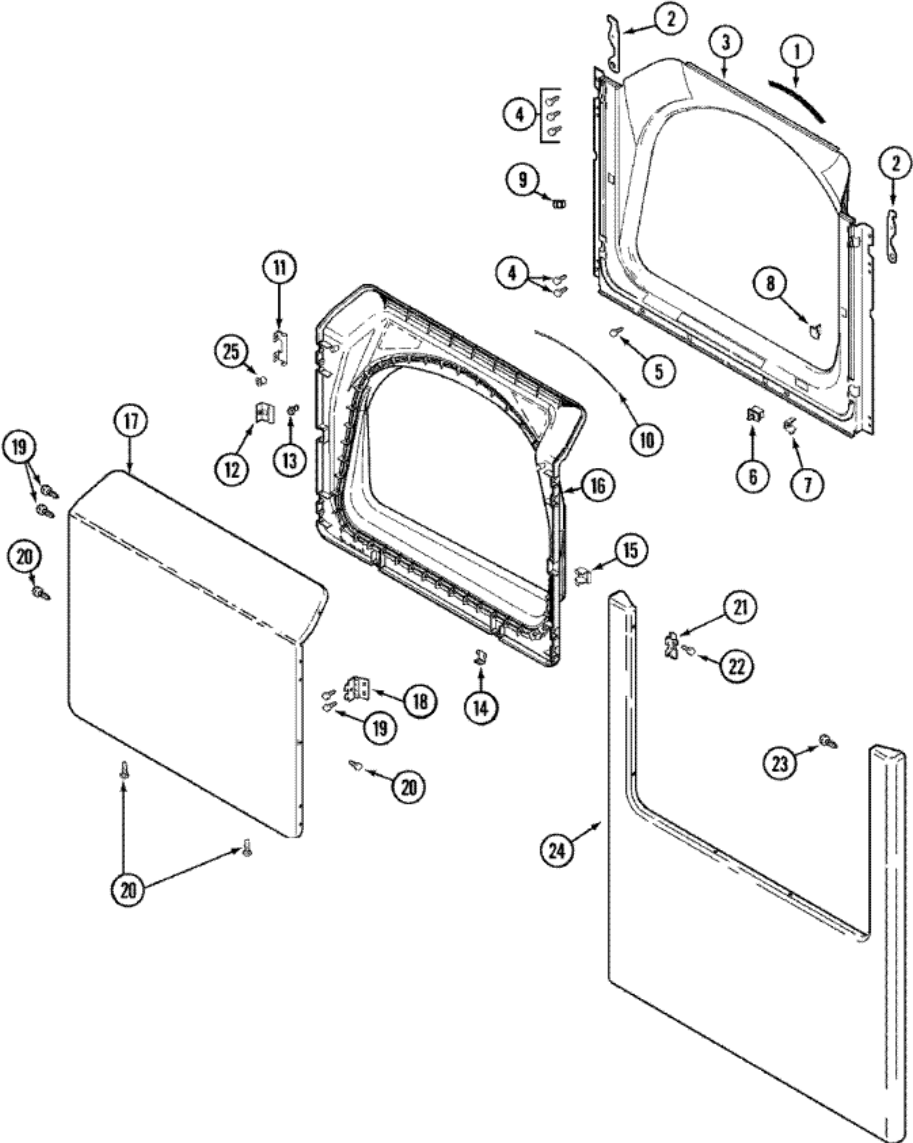




MDE600AYQ TABLERO

| | | |
|----|-----------|---|
| 1 | Y22002339 | SCREW (S/P) |
| 1 | 33002698 | PANEL, CONTROL (BSQ) (S/P) |
| 2 | 33002346 | SKIRT, TIMER DIAL (BSQ) (S/P) |
| 3 | 22001659 | TIMER KNOB – GREY |
| 3 | 22001664 | TIMER KNOB INSERT/CAP (WHT) |
| 3 | 33001621 | SKIRT, TIMER DIAL (WHT) |
| 4 | 33002347 | TIMER KNOB INSERT/CAP |
| 5 | 33002435 | BUTTON, PUSH-TO-START (BSQ) (S/P) |
| 6 | 33001690 | SCREW, TIMER (S/P) |
| 7 | 33001932 | TIMER (W/CHIME) |
| 8 | 216423 | SCREW (S/P) |
| 8 | 22002529 | DESCONTINUADO |
| 9 | 37001115 | CONSOLE (BSQ) (S/P) |
| 10 | 33001618 | SWITCH, PUSH-TO-START (BSQ) (S/P) |
| 11 | 33001933 | WIRE HARNESS, MAIN (S/P) |
| 12 | 33002333 | SWITCH, TEMP 4 POS(ELEC) (BSQ) (S/P) |
| 13 | 22002697 | BUTTON, SWITCH (BSQ-END) (S/P) |
| 14 | 22003875 | BUTTON, SWITCH (BSQ-MDL) (S/P) |
| 15 | 33002400 | DRYNESS DISPLAY CONTROL (BSQ) (S/P) |

MDE600AYQ PUERTA

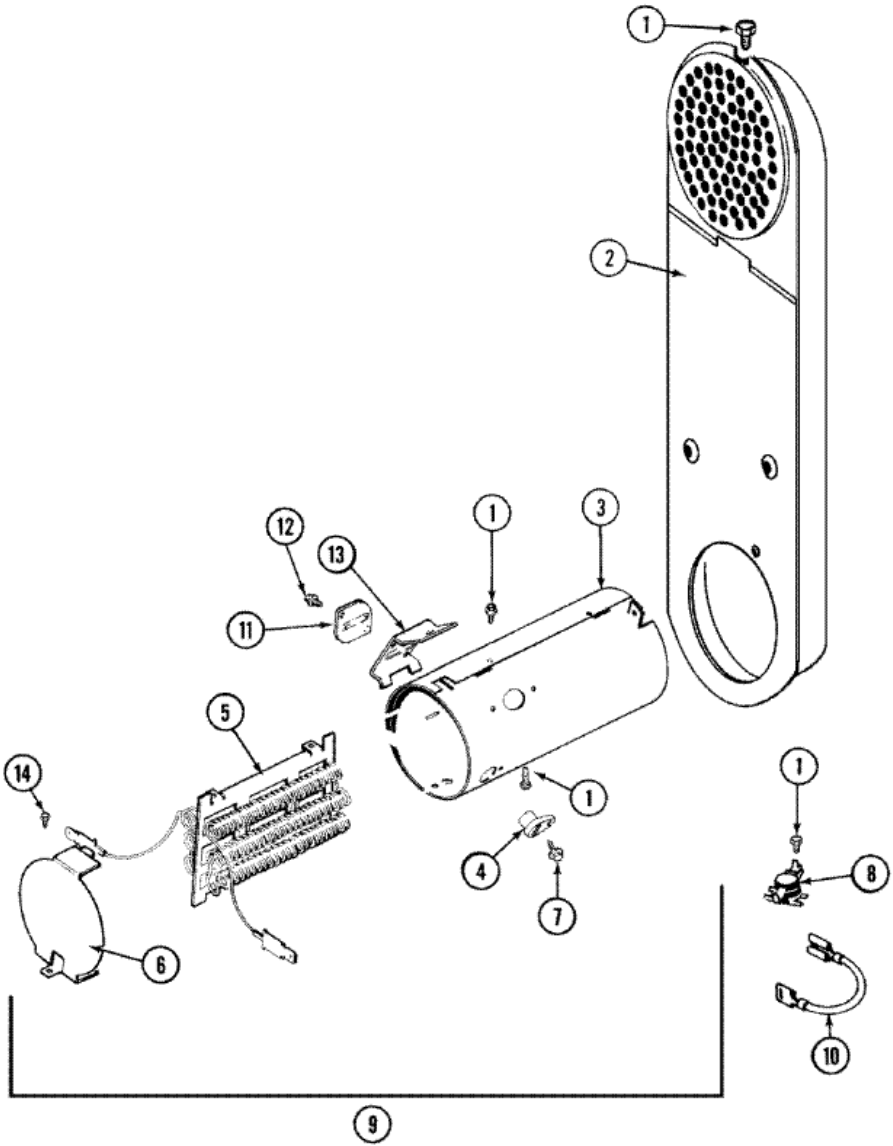




MDE600AYQ PUERTA

| | | |
|----|----------|---------------------------------------|
| 1 | 33001767 | SEAL, SHROUD (S/P) |
| 2 | 33002597 | SECURITY HOOK (S/P) |
| 3 | 33002379 | SHROUD (BSQ) (S/P) |
| 4 | 22001995 | SCREW (S/P) |
| 5 | 33001768 | SCREW, SHROUD (S/P) |
| 6 | 33001508 | SWITCH, DOOR |
| 7 | 33001760 | BRACKET, HINGE (S/P) |
| 8 | LA-1003 | PLUG, DOOR CATCH |
| 9 | 306436 | CATCH, DOOR (W/PLUG) |
| 9 | LA-1003 | CATCH, DOOR (FEMALE) |
| 10 | 33002094 | SEAL, DOOR (S/P) |
| 11 | 22002038 | CLIP, DOOR (DOUBLE) (S/P) |
| 12 | 33001793 | BRACKET, STRIKE (S/P) |
| 13 | 33001761 | STRIKE, DOOR (MALE) (S/P) |
| 14 | 22002039 | CLIP, DOOR (SINGLE) (S/P) |
| 15 | 33001763 | PLUG, INNER DOOR (S/P) |
| 16 | 33002397 | DOOR, INNER/ W SEAL (BSQ) (S/P) |
| 17 | 22001817 | SHEET, SOUND DAMPER (FT. PNL) (S/P) |
| 17 | 33002431 | PANEL, DOOR (BSQ-W/MEDALLION) (S/P) |
| 17 | 33002430 | DESCONTINUADO |
| 18 | 33001759 | HINGE, DOOR (S/P) |
| 19 | 22002062 | SCREW (S/P) |
| 20 | 33002351 | SCREW (No.8-18 OUTER DOOR (BSQ) (S/P) |
| 21 | 33002349 | COVER, HINGE HOLE (BSQ) (S/P) |
| 22 | 33001787 | SCREW, HINGE (S/P) |
| 23 | 22002012 | SCREW, HINGE (S/P) |
| 24 | 22002663 | PANEL, FRONT (BSQ) (S/P) |
| 25 | 33001771 | BUSHING, INNER DOOR (S/P) |

MDE600AYQ RESISTENCIA





MDE600AYQ RESISTENCIA

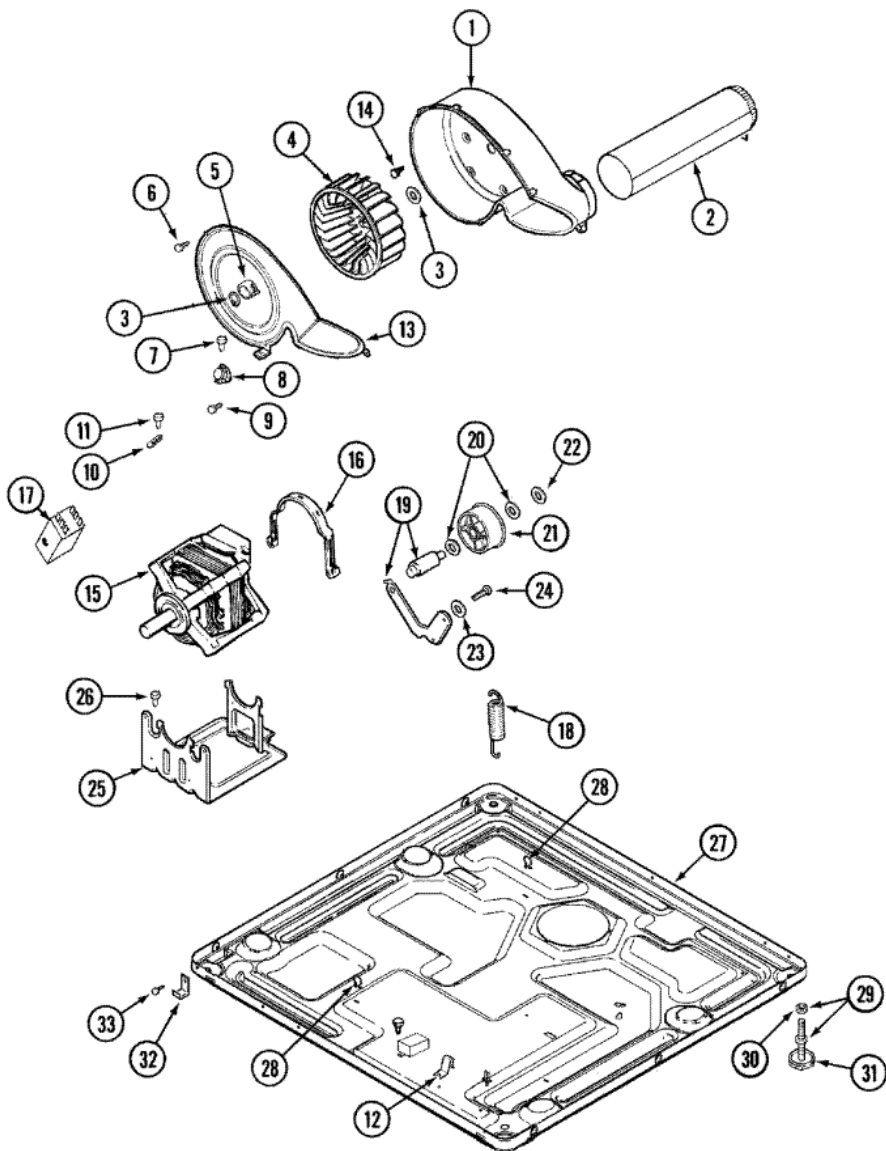
| | | |
|----|----------|--|
| 1 | 211294 | SCREW (S/P) |
| 2 | 33003038 | DUCT ASSY., INLET (S/P) |
| 3 | 314995 | HEATER ENCLOSURE (S/P) |
| 4 | 314998 | INSULATOR, TERMINAL (S/P) |
| 5 | 308612 | HEATER SUB-ASSEMBLY (240V) |
| 6 | 314999 | SHIELD, RADIANT (S/P) |
| 7 | 314554 | SCREW (S/P) |
| 8 | 303396 | THERMOSTAT, HI-LIMIT (ELEC) |
| 9 | 307178 | HEATER ASSEMBLY(COMPLETE 240V) |
| 10 | Y307173 | WIRE, JUMPER (S/P) |
| 11 | 307473 | FUSE, THERMAL |
| 12 | 33001860 | DESCONTINUADO |
| 13 | 315346 | BRACKET, THERMAL FUSE (S/P) |
| 14 | 22001996 | SCREW (S/P) |
| 14 | Y308590 | CONVERSION KIT (240V TO 208V) (S/P) |

Distribuidor Autorizado

SurteRápido.com

Venta de Refacciones
Electrodomesticas

MDE600AYQ BASE





MDE600AYQ BASE

| | | |
|----|----------|-------------------------------------|
| 1 | 33001789 | HOUSING, BLOWER (S/P) |
| 2 | 33001800 | DUCT ASSY., EXHAUST (S/P) |
| 2 | 22001995 | SCREW (S/P) |
| 3 | 410233 | RING, RETAINING (S/P) |
| 4 | 33001790 | WHEEL, BLOWER |
| 5 | 312967 | CLAMP, BLOWER HOUSING |
| 6 | 33001855 | SCREW (HEX HEAD) (S/P) |
| 7 | Y313561 | DESCONTINUADO |
| 8 | 306911 | THERMOSTAT, (ELEC) MULTI-TEMP (S/P) |
| 9 | 22001996 | SCREW (S/P) |
| 10 | 33001762 | FUSE, THERMAL (W` BRACKET) |
| 11 | 314848 | SCREW (S/P) |
| 12 | 22002244 | CLIP, GROUNDING (S/P) |
| 13 | 33001873 | DESCONTINUADO |
| 14 | 314818 | SCREW (S/P) |
| 15 | 33002478 | MOTOR (W/PULLEY) |
| 16 | Y015825 | CLIP, MOTOR (S/P) |
| 17 | 33002478 | SWITCH, MOTOR |
| 18 | 33002459 | SPRING, IDLER (S/P) |
| 18 | 33002157 | GROMMET (S/P) |
| 18 | 33002459 | SPRING, IDLER (S/P) |
| 18 | 33002461 | PLUG FOR SPRING (S/P) |
| 19 | 33001840 | IDLER ARM & SHAFT ASSY. |
| 20 | Y312527 | WASHER, IDLER SHAFT (QTY-1) (S/P) |
| 21 | 33001783 | BEARING, IDLER ASSEMBLY |
| 22 | 312958 | RETAINING RING, IDLER SHAFT (S/P) |
| 23 | 315772 | SLEEVE, IDLER ARM (S/P) |
| 24 | Y014874 | SCREW (S/P) |
| 25 | 33002817 | SUPPORT, MOTOR (S/P) |
| 25 | Y313561 | DESCONTINUADO |
| 26 | Y313561 | DESCONTINUADO |
| 27 | 33002465 | DESCONTINUADO |
| 27 | 33002465 | BASE (S/P) |

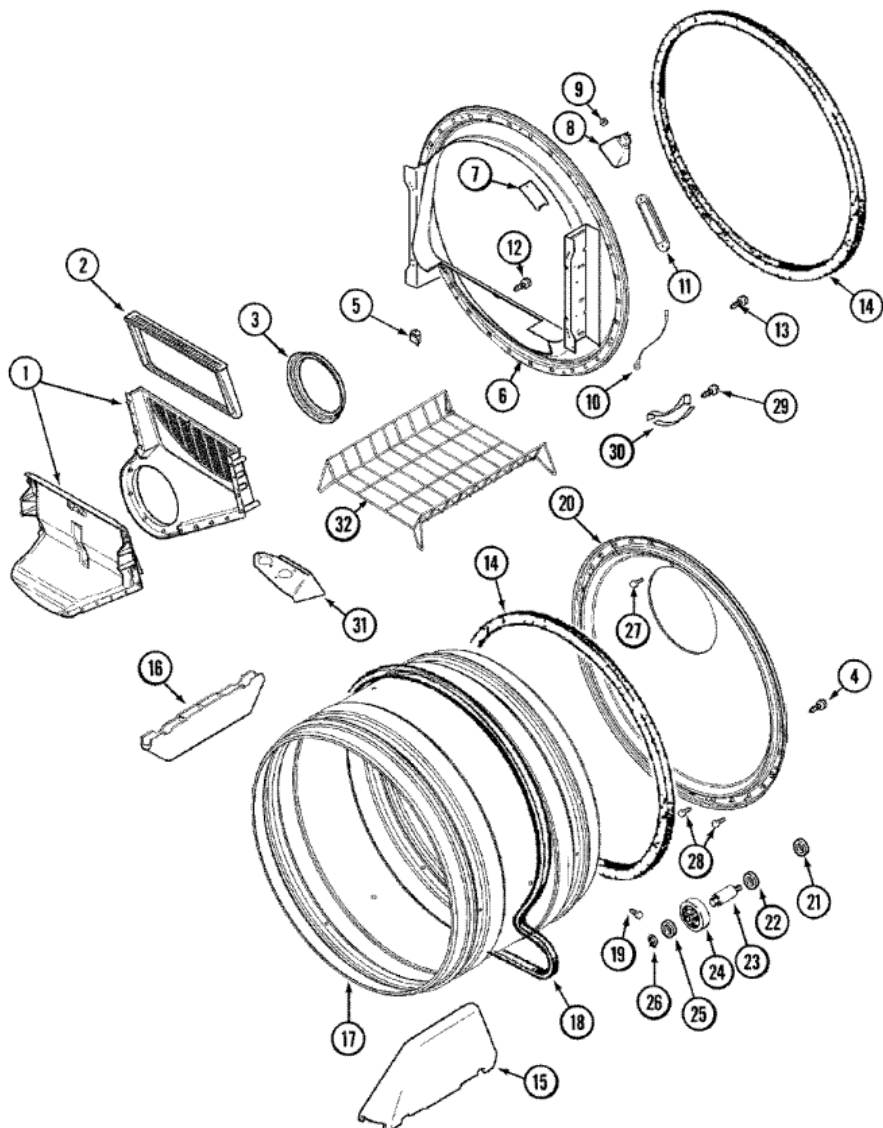
| | | |
|----|----------|-------------------------------|
| 28 | 410490 | SPRING, WIRE HARNESS (S/P) |
| 29 | Y305086 | ADJUSTABLE LEG & NUT (S/P) |
| 30 | Y052740 | NUT (S/P) |
| 31 | Y314137 | FOOT, RUBBER (S/P) |
| 32 | 22002239 | CLIP, LOWER FRONT PANEL (S/P) |
| 33 | Y310632 | SCREW (S/P) |

Distribuidor Autorizado

SurteRápido.com

Venta de Refacciones
Electrodomesticas

MDE600AYQ TAMBOR





MDE600AYQ TAMBOR

| | | |
|----|----------|-------------------------------------|
| 1 | 33001799 | OUTLET DUCT ASSEMBLY |
| 2 | 33001808 | FILTER, LINT |
| 3 | 33002560 | SEAL, BLOWER |
| 5 | Y310376 | CLIP, WIRE HARNESS (S/P) |
| 6 | 33001868 | FRONT, TUMBLER FRONT W/SENSOR |
| 7 | 33001869 | LENS, DRUM LIGHT (S/P) |
| 7 | 33001871 | SCREW (S/P) |
| 8 | 33001870 | HOLDER, LAMP (W/HOUSING) (S/P) |
| 8 | 22002263 | LAMP (10 WATT) (S/P) |
| 9 | 214872 | PALNUT, END CAP (S/P) |
| 10 | Y303711 | SENSOR GROUND WIRE (S/P) |
| 10 | 211294 | SCREW (S/P) |
| 11 | 33001809 | SENSOR BAR ASSY. |
| 12 | 312311 | DESCONTINUADO |
| 13 | 33001855 | SCREW (HEX HEAD) (S/P) |
| 14 | 33001807 | SEAL, TUMBLER |
| 15 | 33002032 | BAFFLE (TALL) |
| 16 | 33001755 | BAFFLE (SHORT) |
| 17 | 33001889 | TUMBLER (S/P) |
| 18 | 33002535 | BELT, TUMBLER (S/P) |
| 20 | 33001801 | BACK, TUMBLER (W/SEAL) (S/P) |
| 21 | 33001443 | NUT, HEX (ROLLER SHAFT) (S/P) |
| 22 | 312535 | WASHER, SPRING (ROLLER SHAFT) (S/P) |
| 23 | Y312948 | SHAFT, TUMBLER ROLLER (S/P) |
| 24 | 12001541 | BEARING & ROLLER ASSEMBLY (S/P) |
| 25 | 312535 | WASHER, ROLLER SHAFT (S/P) |
| 26 | 410233 | RING, RETAINING (S/P) |
| 27 | 210932 | SCREW, No.8 X 9/16 CTSK (S/P) |
| 29 | 210720 | RIVET (S/P) |
| 30 | 306508 | TUMBLER BEARING KIT |
| 31 | 33001837 | COVER, THERMOSTAT (ELEC ONLY) (S/P) |
| 32 | 33001917 | RACK, DRYING (S/P) |