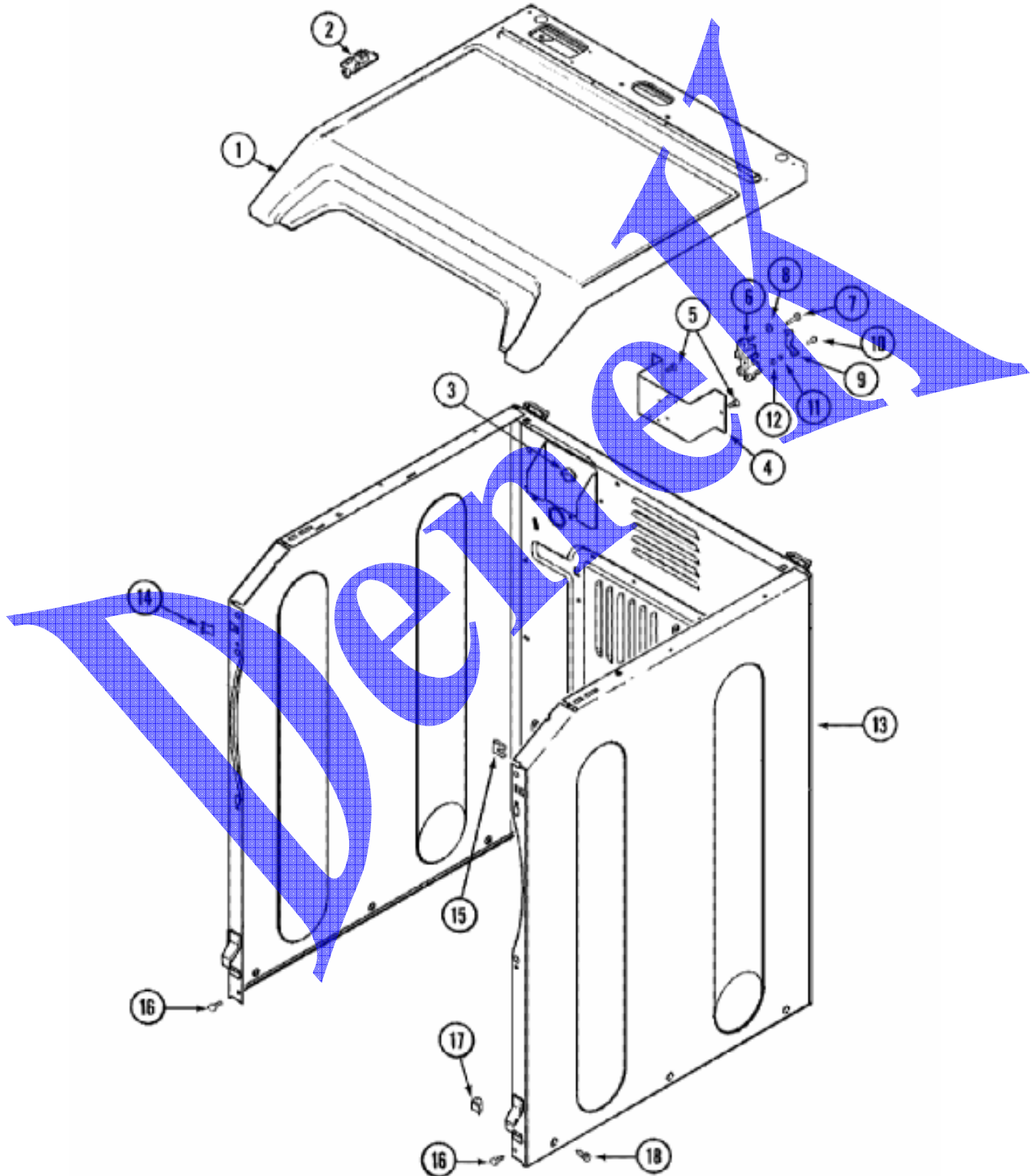


MTG. SEC. MODEL. MDE7658AYW

GABINETE



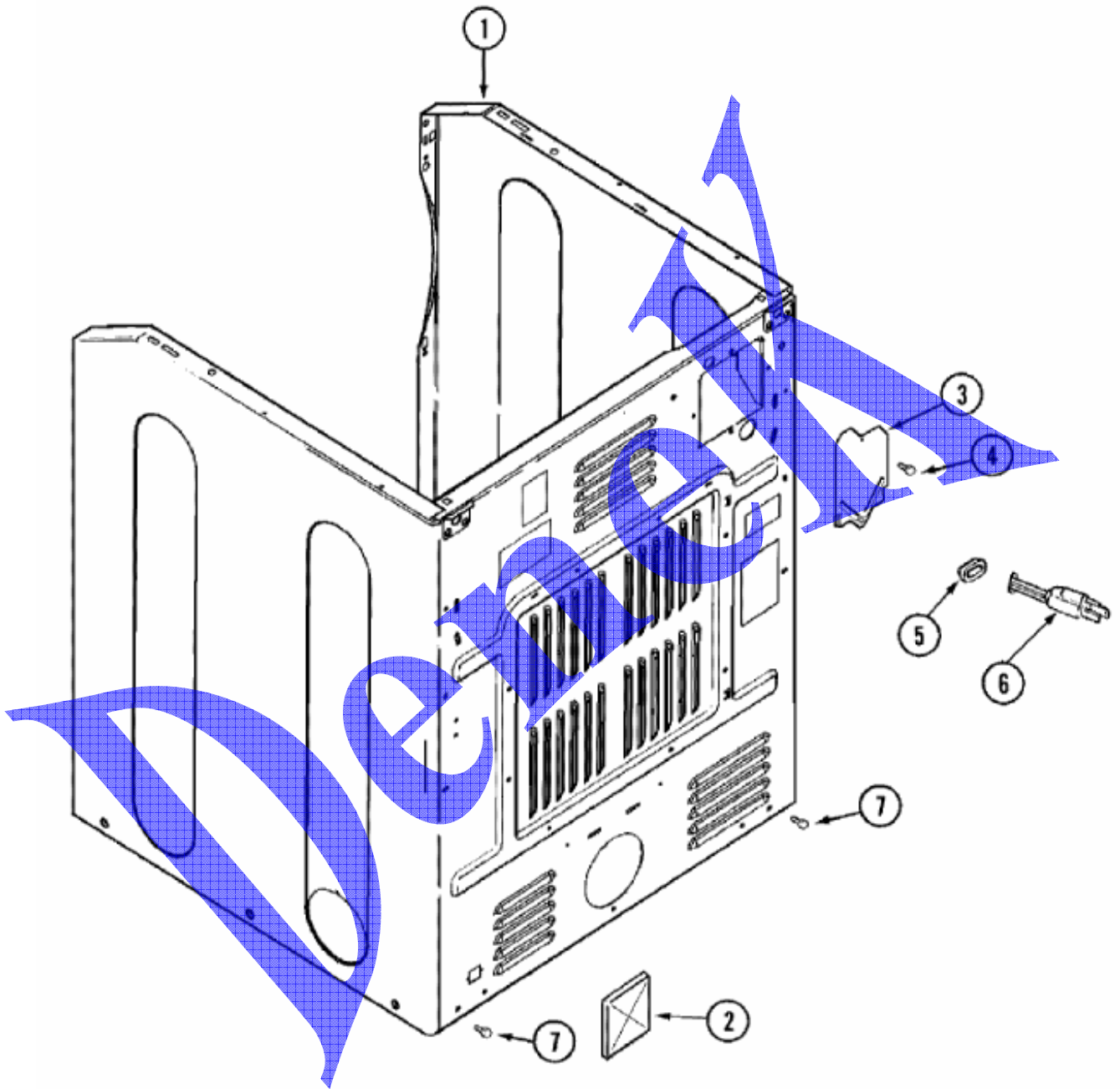
MTG. SEC. MODEL. MDE7658AYW

GABINETE

NUMERO	N. DE PARTE	DESCRIPCION
1	33002627	COVER, TOP (WHT-AS PK)
2	33001872	PIN, LOCATOR
4	33001826	BRACKET, TERMINAL BLOCK---NA
5	22001995	SCREW
6	33001244	BLOCK, TERMINAL
7	312209	SCREW, #10-24 X 3/4 INCH
8	311270	WASHER, TERMINAL BLOCK
9	312184	STRAP, GROUND
10	33001245	SCREW---NA
11	311484	NUT, TERMINAL BLOCK
12	311093	WASHER, 7/32 INCH
13	22003367	HINGE, PLASTIC
13	22003582	CABINET, ASSY. (WHT-AS PK)
13	22003639	CABINET ASSY. (WHT AS PK)
14	22002049	CLIP
15	213280	FRONT PANEL BRACKET/FASTENER
16	22001995	SCREW
17	310376	CLIP, WIRE HARNESS
18	213007	SCREW, CABINET

MTG. SEC. MODEL. MDE7658AYW

GABINETE POSTERIOR



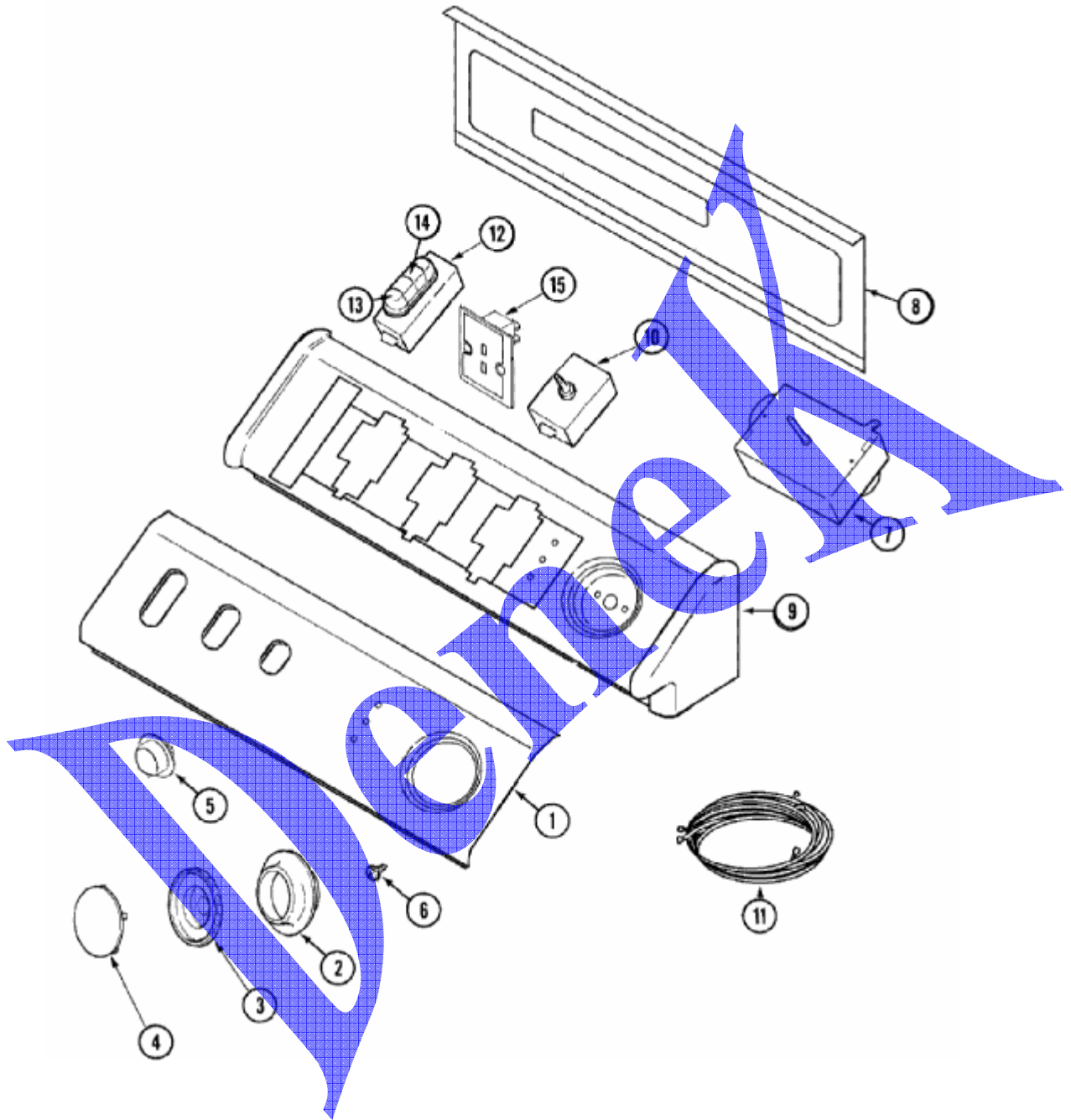
MTG. SEC. MODEL. MDE7658AYW

GABINETE POSTERIOR

NUMERO	N. DE PARTE	DESCRIPCION
1	22003582	CABINET, ASSY. (WHT-AS PK)
3	33001795	COVER, TERMINAL BLOCK
4	22001995	SCREW
7	22001995	SCREW

MTG. SEC. MODEL. MDE7658AYW

PANEL DE CONTROL



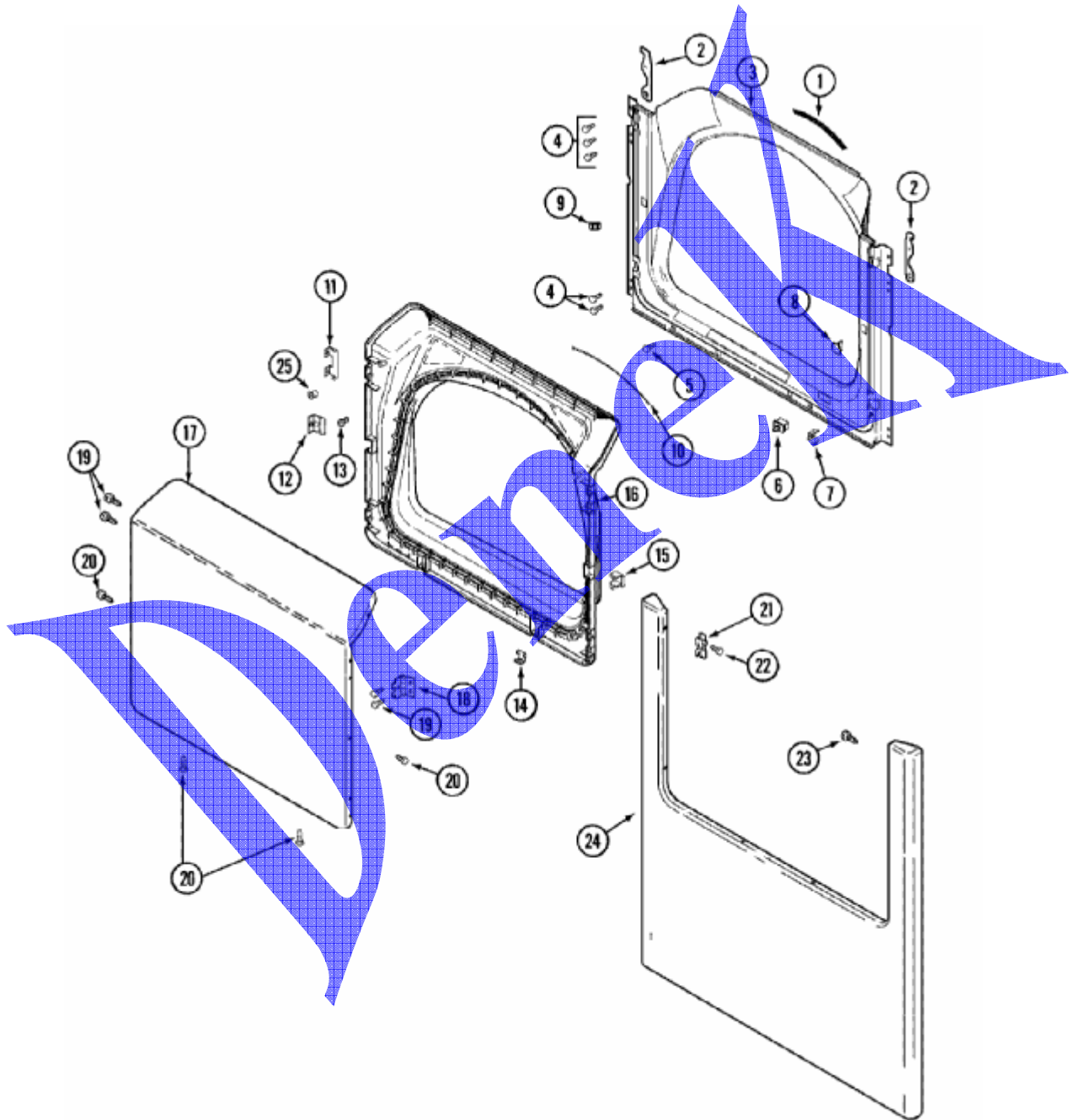
MTG. SEC. MODEL. MDE7658AYW

PANEL DE CONTROL

NUMERO	N. DE PARTE	DESCRIPCION
1	22002339	SCREW
1	33002612	PANEL, CONTROL (WHT)
2	33001621	SKIRT, TIMER DIAL (WHT)
3	22001659	TIMER KNOB - GREY
4	22001664	TIMER KNOB INSERT/CAP (WHT)
5	33001619	BUTTON, PUSH TO START (WHT)
6	33001690	SCREW, TIMER
7	33001932	TIMER (W/CHIME)
8	216423	SCREW
8	22002529	CONSOLE BACK PANEL
9	33002286	CONSOLE (WHT)
10	33001861	SWITCH, PUSH TO START (WHT)
11	33001933	WIRE HARNESS, MAIN
12	33001652	SWITCH,TEMP 4 POS (ELEC) (WHT)
13	22001788	BUTTON, SWITCH (WHT-END)
14	22001789	BUTTON, SWITCH (WHT-MDL)
15	33002389	DRYNESS DISPLAY CONTROL (WHT)
16	33002488	MANUAL U & C, DRYING RACK
16	33002583	MANUAL, USE & CARE (TRI)

MTG. SEC. MODEL. MDE7658AYW

PUERTA



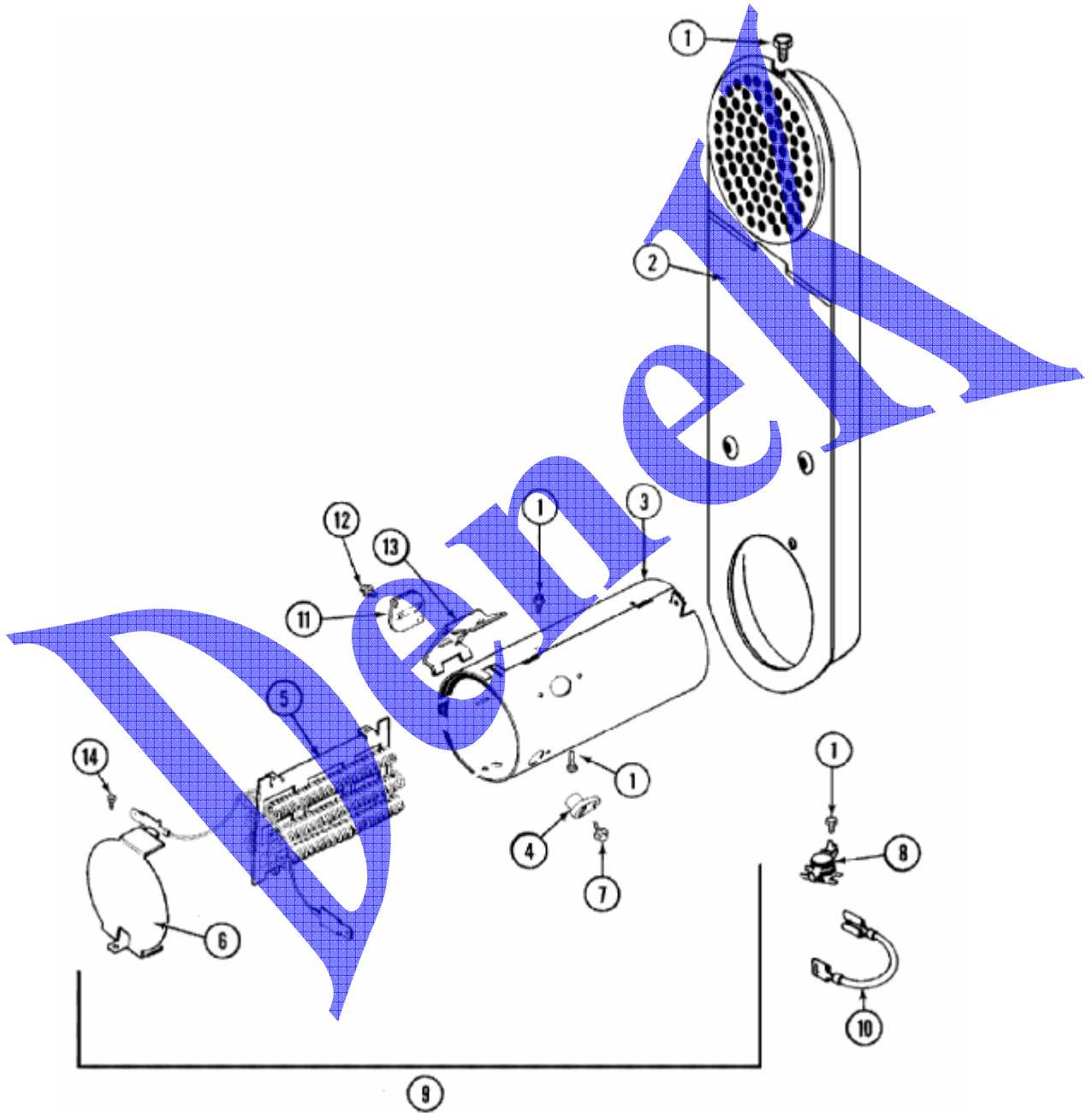
MTG. SEC. MODEL. MDE7658AYW

PUERTA

NUMERO	N. DE PARTE	DESCRIPCION
1	33001767	SEAL, SHROUD
2	33002386	SECURITY HOOK
3	33001778	SHROUD (WHT)
4	22001995	SCREW
5	33001768	SCREW, SHROUD
6	33001508	SWITCH, DOOR
7	33001760	BRACKET, HINGE
8	33001174	PLUG, DOOR CATCH
9	33001791	CATCH, DOOR (W/PLUG)
9	304578	CATCH, DOOR (FEMALE)
10	33002094	SEAL, DOOR
11	22002038	CLIP, DOOR (DOUBLE)
12	33001793	BRACKET, STRIKE
13	33001761	STRIKE, DOOR (MALE)
14	22002039	CLIP, DOOR (SINGLE)
15	33001763	PLUG, INNER DOOR
16	33001750	DOOR, INNER/ W SEAL (WHT)
16	22002039	CLIP, DOOR (SINGLE)
16	22002063	SCREW #8-18AB WAFER HD
17	22001817	SHEET, SOUND DAMPER (FT. PNL)
17	33002430	PANEL, DOOR (WHT-W/MEDALLION)
18	33001759	HINGE, DOOR
19	22002062	SCREW
20	22002063	SCREW #8-18AB WAFER HD
21	33001764	COVER, HINGE HOLE (WHT)
22	33001787	SCREW, HINGE
23	22002012	SCREW, HINGE
24	22002241	PANEL, FRONT (WHT)
25	33001771	BUSHING, INNER DOOR

MTG. SEC. MODEL. MDE7658AYW

QUEMADOR



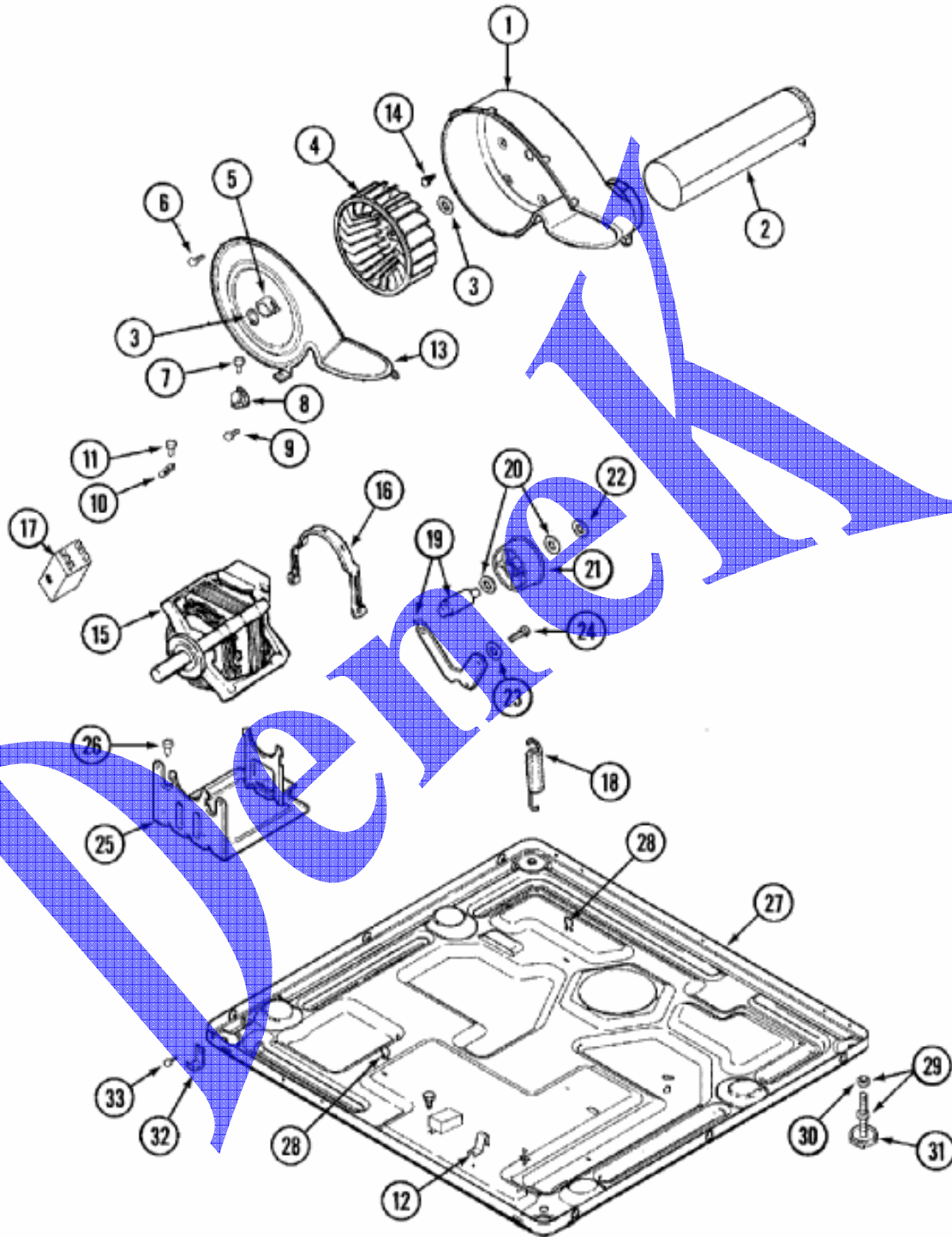
MTG. SEC. MODEL. MDE7658AYW

QUEMADOR

NUMERO	N. DE PARTE	DESCRIPCION
1	211294	SCREW
2	33001803	DUCT ASSY., INLET
3	314995	HEATER ENCLOSURE
4	314998	INSULATOR, TERMINAL
5	307184	HEATER SUB-ASSEMBLY (240V)
6	314999	SHIELD, RADIANT
7	314554	SCREW
8	303396	THERMOSTAT, HI-LIMIT (ELEC)
9	307178	HEATER ASSEMBLY(COMPLETE 240V)
10	307173	WIRE, JUMPER
11	307473	FUSE, THERMAL
12	33001860	SCREW, END OF CYCLE----NA
13	315346	BRACKET, THERMAL FUSE
14	308590	CONVERSION KIT (240V TO 208V)
14	22001996	SCREW

MTG. SEC. MODEL. MDE7658AYW

MOTOR Y TURBINA



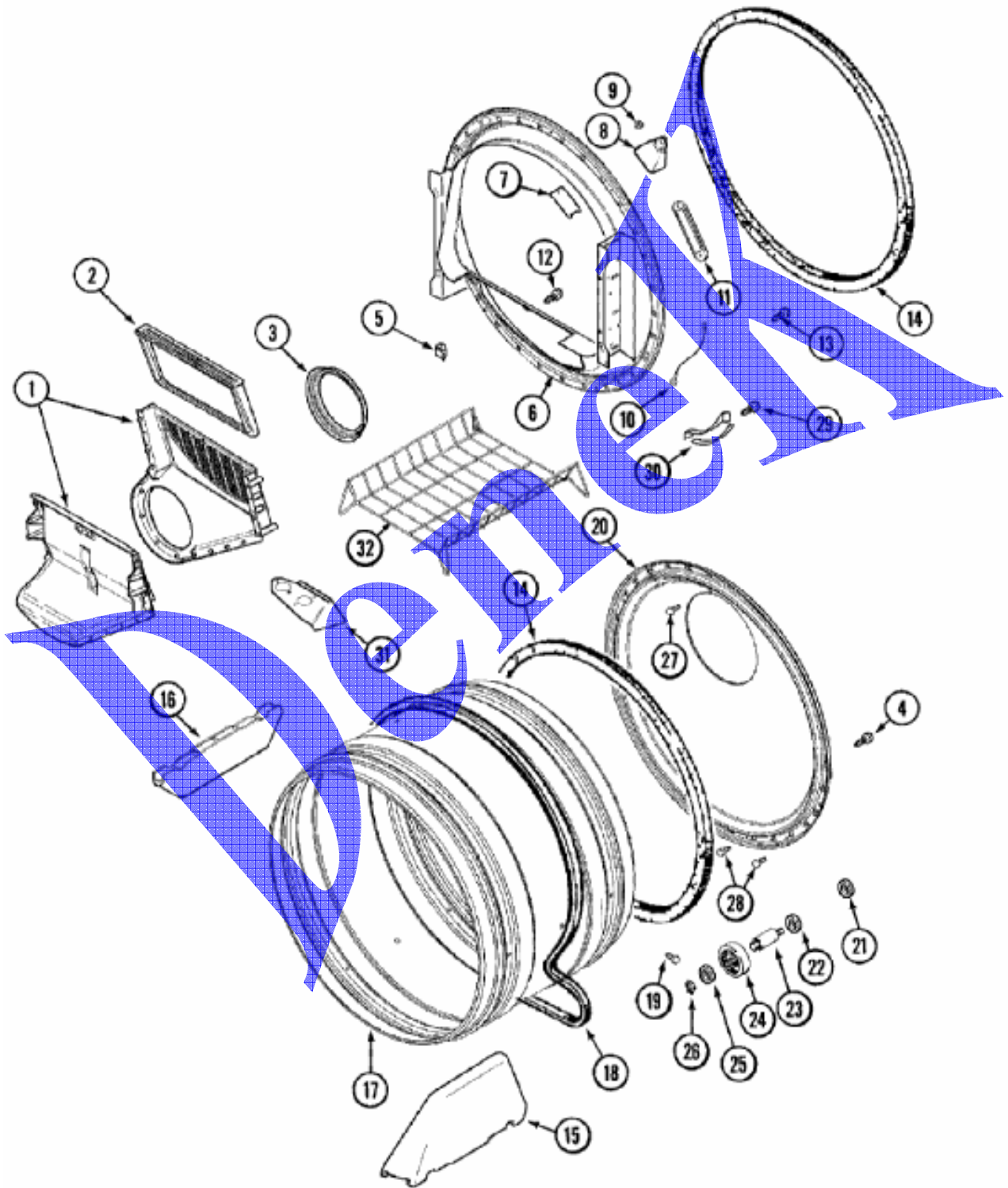
MTG. SEC. MODEL. MDE7658AYW

MOTOR Y TURBINA

NOMBRE	N. DE PARTE	DESCRIPCION
1	33001789	HOUSING, BLOWER
2	33001800	DUCT ASSY., EXHAUST
2	22001995	SCREW
3	410233	RING, RETAINING
4	33001790	WHEEL, BLOWER
5	312967	CLAMP, BLOWER HOUSING
6	33001855	SCREW (HEX HEAD)
7	313561	SCREW----NA
8	306911	THERMOSTAT,(ELEC) MULTI-TEMP
9	22001996	SCREW
10	33001762	FUSE, THERMAL (W' BRACKET)
11	314848	SCREW
12	22002244	CLIP, GROUNDING
13	33001873	COVER, BLOWER HOUSING----NA
14	314818	SCREW
15	33002478	MOTOR
15	33002795	MOTOR, DRIVE 60HZ
16	15825	CLIP, MOTOR
17	33001854	SWITCH, MOTOR
18	33002460	SPRING, IDLER
18	33002461	PLUG FOR SPRING
19	33001840	IDLER ARM & SHAFT ASSY.
20	312527	WASHER, IDLER SHAFT (QTY-1)
21	33001783	BEARING, IDLER ASSEMBLY
22	312958	RETAINING RING, IDLER SHAFT
23	315772	SLEEVE, IDLER ARM
24	14874	SCREW
25	313561	SCREW----NA
25	33002466	SUPPORT, MOTOR
26	313561	SCREW----NA
27	33002465	BASE, (LWR)----NA
27	33002465	BASE, (LWR)----NA
28	410490	SPRING, WIRE HARNESS
29	305086	ADJUSTABLE LEG & NUT
30	52740	NUT
31	314137	FOOT, RUBBER
32	22002239	CLIP, LOWER FRONT PANEL
33	310632	SCREW

MTG. SEC. MODEL. MDE7658AYW

TAMBOR



MTG. SEC. MODEL. MDE7658AYW

TAMBOR

NOMBRE	N. DE PARTE	DESCRIPCION
1	33001799	OUTLET DUCT ASSEMBLY
2	33001808	FILTER, LINT
3	33001758	SEAL, BLOWER
4	33002490	SCREW (#10-3/8")
5	310376	CLIP, WIRE HARNESS
6	33001868	FRONT, TUMBLER FRONT W/SENSOR
7	33001869	LENS, DRUM LIGHT
7	33001871	SCREW
8	33001870	HOLDER, LAMP (W/HOUSING)
8	22002263	LAMP (10 WATT)
9	214872	PAL NUT, END CAP
10	303711	SENSOR GROUND WIRE
10	211294	SCREW
11	22001078	SCREW
11	33001809	SENSOR BAR ASSY.
12	312311	SCREW, NA
13	33001855	SCREW (HEX HEAD)
14	33001807	SEAL, TUMBLER
15	33001756	BAFFLE (TALL)
16	33001755	BAFFLE (SHORT)
17	33001889	TUMBLER
18	33001777	BELT, TUMBLER
19	33001788	SCREW, BAFFLE
20	33001801	BACK TUMBLER (W/SEAL)
21	33001443	NUT, HEX (ROLLER SHAFT)
22	313347	WASHER, SPRING (ROLLER SHAFT)
23	312948	SHAFT, TUMBLER ROLLER
24	303373	BEARING & ROLLER ASSEMBLY
25	312535	WASHER, ROLLER SHAFT
26	410233	RING, RETAINING
27	210932	SCREW, #8 X 9/16 CTSK
28	22001996	SCREW
29	210720	RIVET
30	306508	TUMBLER BEARING KIT
31	33001837	COVER, THERMOSTAT (ELEC ONLY)
32	33001917	RACK, DRYING