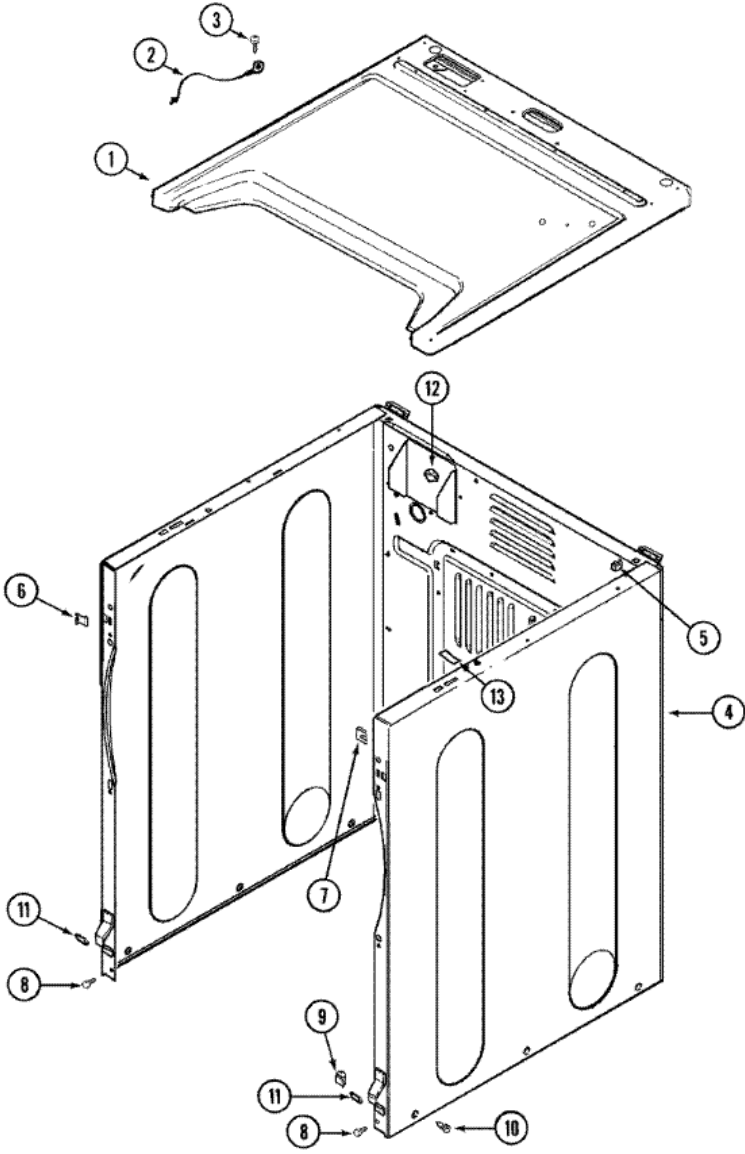


MDG16MNAWW GABINETE

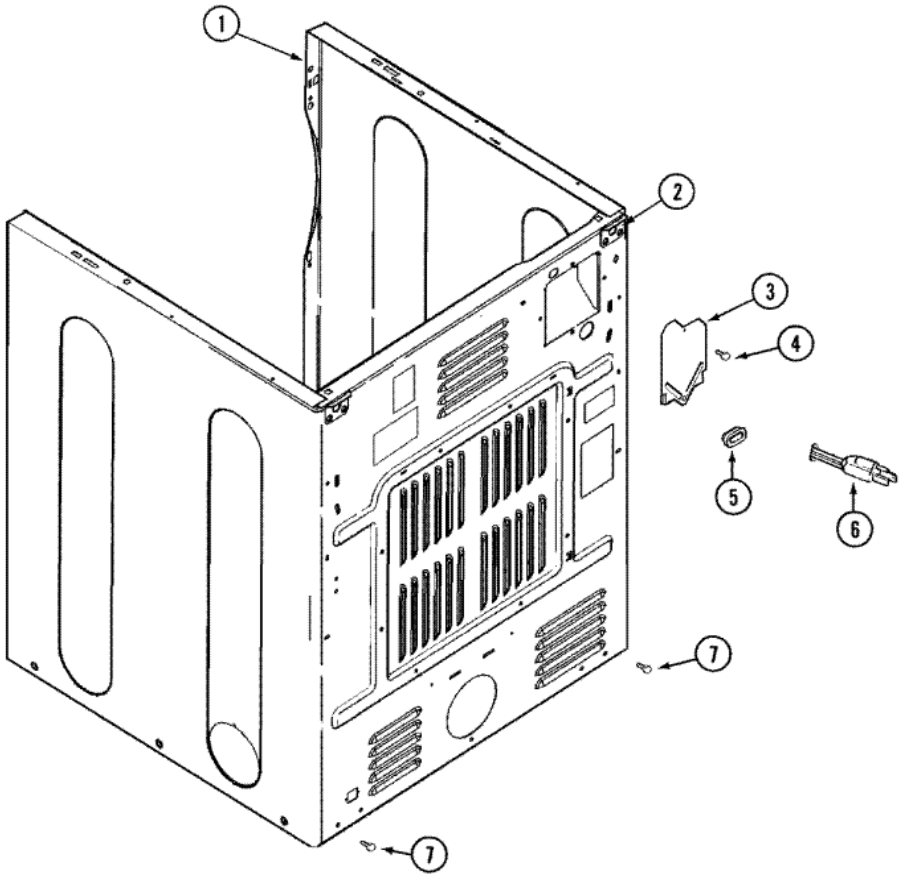




MDG16MNAWW GABINETE

1	33001896	COVER, TOP (WHT) (S/P)
1	33002631	COVER, TOP (WHT-AS PK) (S/P)
2	205810	WIRE, GROUND (S/P)
3	211252	SCREW (S/P)
4	22003643	DESCONTINUADO
4	33001897	CABINET (WHT) (S/P)
4	33002624	CABINET, ASSY. (WHT-AS PK) (S/P)
5	310933	FASTENER (S/P)
6	22002049	CLIP (S/P)
7	213280	FRONT PANEL BRACKET/FASTENER (S/P)
8	22001995	SCREW (S/P)
9	22003298	RETAINER, WIRE (S/P)
10	22003409	DESCONTINUADO
10	213007	SCREW, CABINET (S/P)
11	22002239	CLIP, LOWER FRONT PANEL (S/P)
12	Y310376	CLIP, WIRE HARNESS (S/P)
13	33001836	STRAP, TOP COVER SUPPORT (S/P)

MDG16MNAWW GABINETE

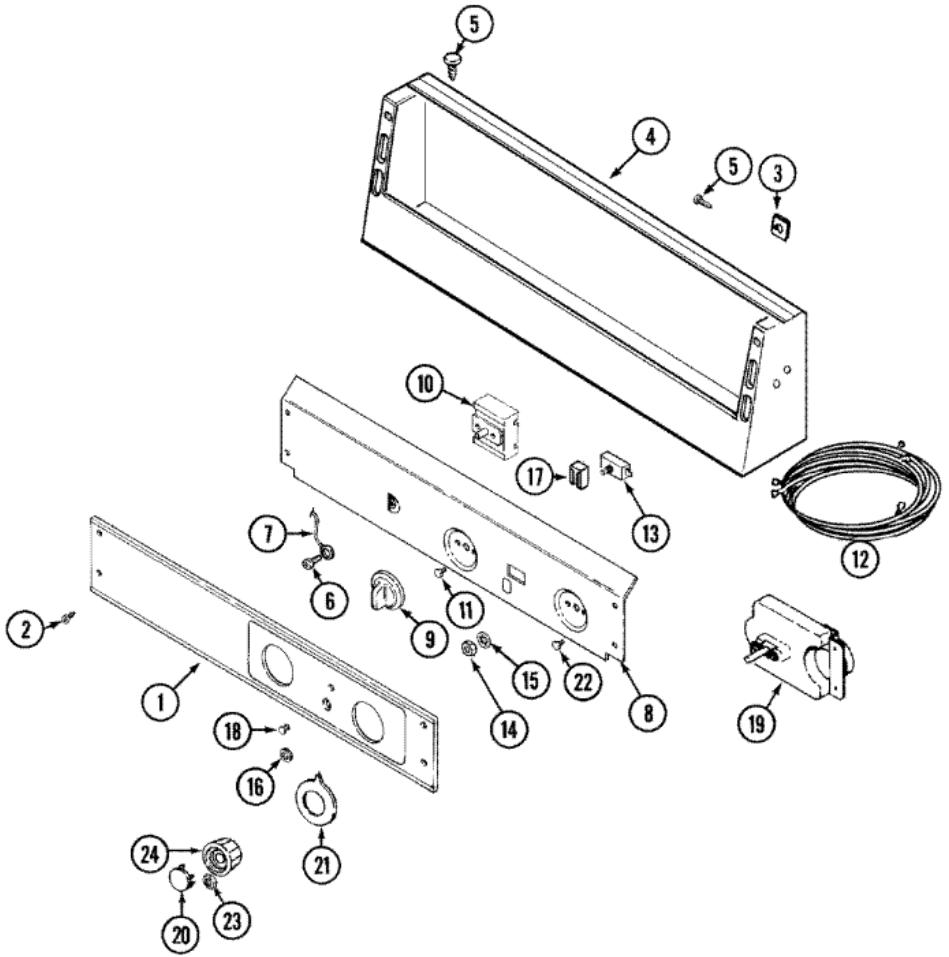




MDG16MNAWW GABINETE

1	33001897	CABINET (WHT) (S/P)
1	33002624	CABINET, ASSY. (WHT-AS PK) (S/P)
2	22001995	SCREW (S/P)
2	22004095	HINGE, PLASTIC
2	33001827	DESCONTINUADO
3	33001795	COVER, TERMINAL BLOCK (S/P)
4	Y912873	SCREW, LATCH (S/P)
4	22001995	SCREW (S/P)
5	211881	GROMMET, CORD (S/P)
6	33001284	CORD, POWER (S/P)
7	22001995	SCREW (S/P)

MDG16MNAWW TABLERO





MDG16MNAWW TABLERO

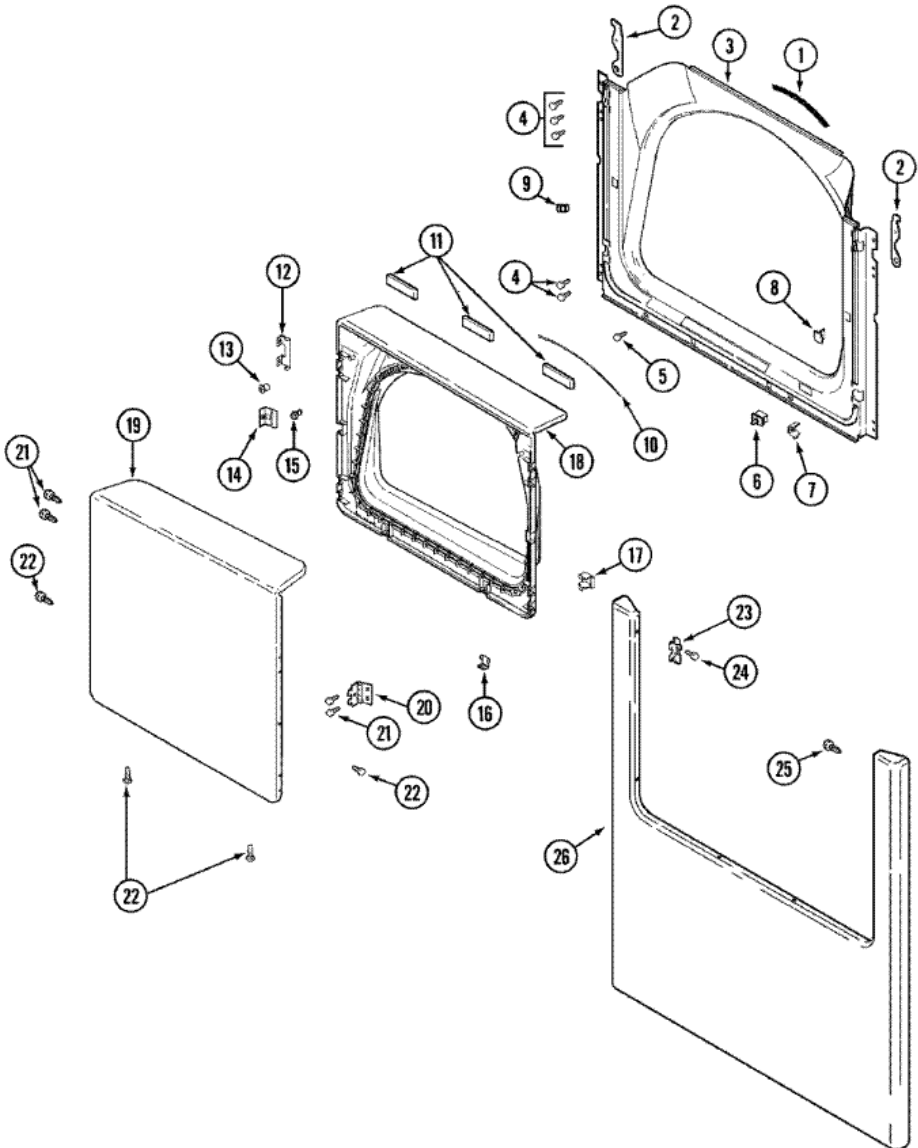
1	33001967	PANEL, CONTROL (S/P)
2	215506	SCREW, TORX (S/P)
3	215003	FASTENER (S/P)
4	22003101	DESCONTINUADO
4	33001957	CONSOLE (WHT) (S/P)
5	22001996	SCREW (S/P)
6	211252	SCREW (S/P)
7	205810	WIRE, GROUND (S/P)
8	33001968	BRACKET, BACK (WHT) (S/P)
8	33002524	BRACKET, BACK (WHT) (S/P)
9	306938	KNOB, SELECTOR SWITCH (S/P)
10	307237	SWITCH, CYCLE SELECTOR (S/P)
11	Y313588	SCREW (S/P)
12	33001971	WIRE HARNESS, MAIN (S/P)
12	33002246	WIRE HARNESS, MAIN (S/P)
13	306940	SWITCH, PUSH-TO-START
14	422617	HEX NUT ON SWITCH (S/P)
15	312751	LOCK WASHER (S/P)
16	Y312702	KNURLED NUT (S/P)
17	204075	LIGHT, INDICATOR (S/P)
18	215564	LENS, INDICATOR (AMBER) (S/P)
19	305214	TIMER
20	314723	CAP FOR TIMER KNOB
21	33001500	SKIRT, DIAL (S/P)
22	Y313588	SCREW (S/P)
23	312273	NUT (S/P)
24	314724	KNOB FOR TIMER (S/P)

Distribuidor Autorizado

SurteRápido.com

Venta de Refacciones
Electrodomesticas

MDG16MNAWW PUERTA





MDG16MNAWW PUERTA

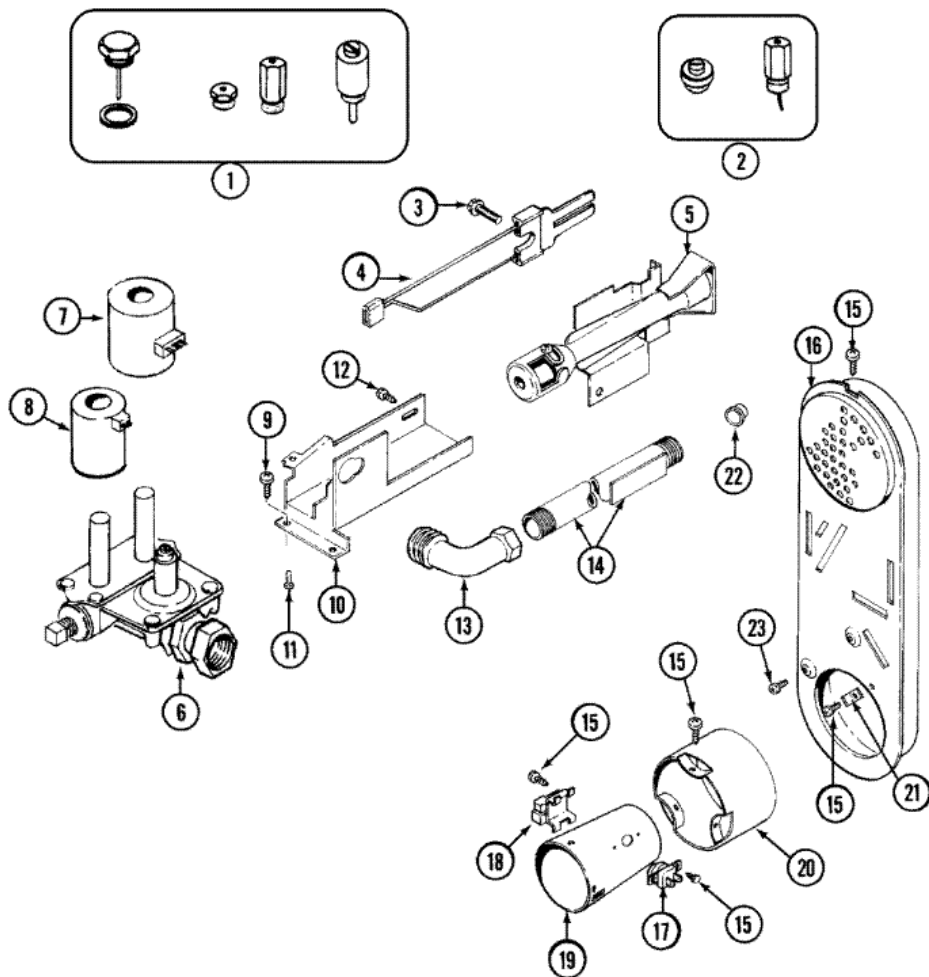
1	33001767	SEAL, SHROUD (S/P)
2	33002597	HOOK, SECURITY (S/P)
3	33001900	SHROUD (WHT) (S/P)
4	22001995	SCREW (S/P)
5	33001768	SCREW, SHROUD (S/P)
6	33001508	SWITCH, DOOR
7	33001760	BRACKET, HINGE (S/P)
8	LA-1003	PLUG, DOOR CATCH
9	LA-1003	CATCH, DOOR (FEMALE)
10	33002094	SEAL, DOOR (S/P)
11	33001268	PAD, DOOR (S/P)
12	22002038	CLIP, DOOR (DOUBLE) (S/P)
13	33001771	BUSHING, INNER DOOR (S/P)
14	33001793	BRACKET, STRIKE (S/P)
15	33001761	STRIKE, DOOR (MALE) (S/P)
16	22002039	CLIP, DOOR (SINGLE) (S/P)
17	33001763	PLUG, INNER DOOR (S/P)
18	33001899	DOOR, INNER (WHT) (S/P)
19	33001904	DOOR, OUTER (WHT) (S/P)
20	33001759	HINGE, DOOR (S/P)
21	22002062	SCREW (S/P)
22	22002063	SCREW No.8-18AB WAFER HD (S/P)
23	33001764	COVER, HINGE HOLE (WHT) (S/P)
24	33001846	SCREW (S/P)
25	22002243	SCREW (S/P)
25	22002244	CLIP, GROUNDING (S/P)
26	22002239	CLIP, LOWER FRONT PANEL (S/P)
26	213280	FRONT PANEL BRACKET/FASTENER (S/P)
26	33001901	PANEL, FRONT (WHT) (S/P)

Distribuidor Autorizado

SurteRápido.com

Venta de Refacciones
Electrodomesticas

MDG16MNAWW QUEMADOR





MDG16MNAWW QUEMADOR

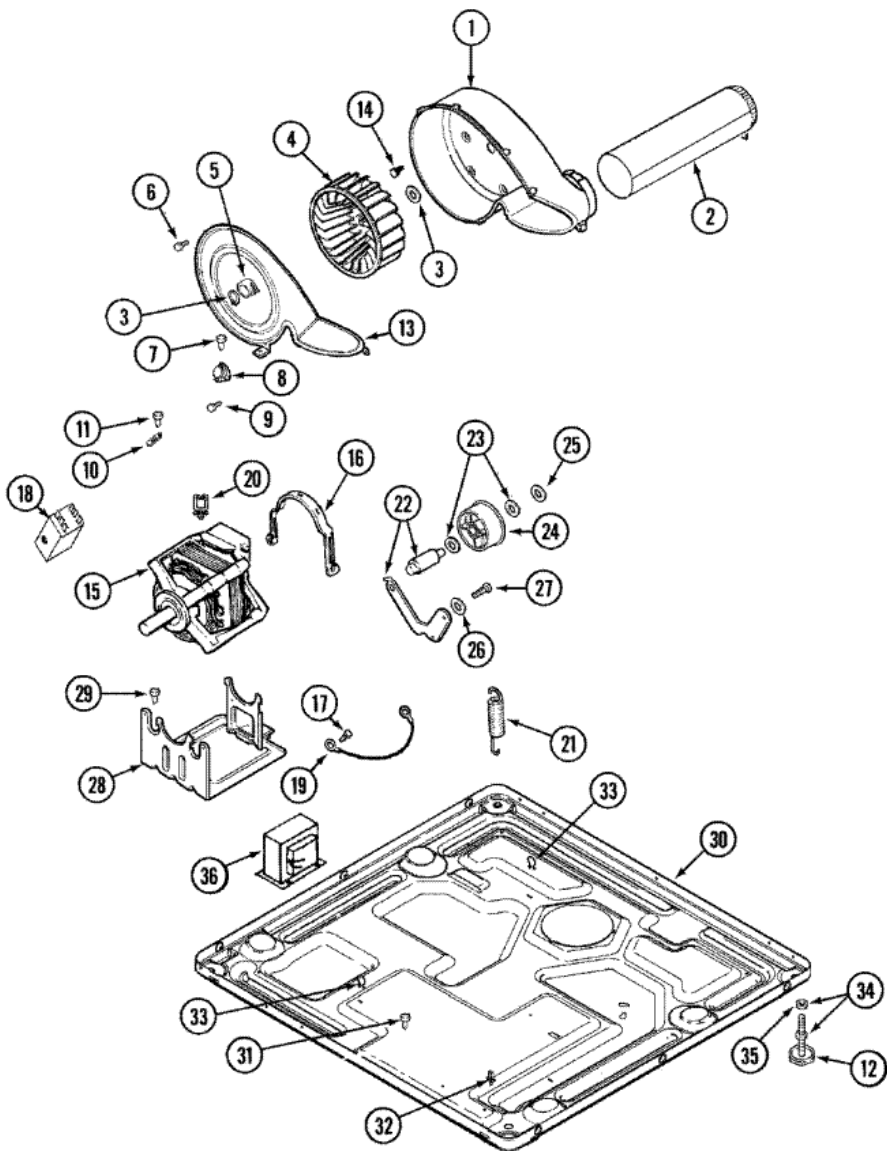
1	33002926	CONVERSION KIT (NATURAL TO LP) (S/P)
2	33002925	CONVERSION KIT (LP TO NATURAL) (S/P)
3	304971	SCREW (S/P)
4	WE4X750	IGNITER ASSY, GAS VALVE
4	33002789	IGNITER ASSEMBLY (S/P)
5	33002793	BURNER ASSEMBLY
6	308345	VALVE, GAS (S/P)
7	279834	COIL, HOLDING & BOOSTER
8	3-6105	COIL, SECONDARY
9	Y313561	DESCONTINUADO
10	33001834	DESCONTINUADO
11	314082	SCREW (S/P)
11	314568	SCREW-GAS VALVE TO BRACKET (S/P)
12	22001995	SCREW (S/P)
13	3406051	CONNECTOR, ANGLE
14	33001735	PIPE & BRACKET ASSY. (S/P)
15	211294	SCREW (S/P)
16	33002952	DESCONTINUADO
17	305169	THERMOSTAT, HI-LIMIT GAS
18	338906	SENSOR, RADIANT
19	33001835	CONE ASSY., COMBUSTION (S/P)
20	Y303841	CONE, EXTENSION (COMBUSTION) (S/P)
21	Y312890	RETAINER, HEATER CHAMBER (S/P)
22	33001693	CAP, GAS PIPE (S/P)
23	22001996	SCREW (S/P)

Distribuidor Autorizado

SurteRápido.com

Venta de Refacciones
Electrodomesticas

MDG16MNAWW BASE





MDG16MNAWW BASE

2	22001995	SCREW (S/P)
2	33001800	DUCT ASSY., EXHAUST (S/P)
3	410233	RING, RETAINING (S/P)
4	33001790	WHEEL, BLOWER
4	33002797	WHEEL, BLOWER
5	312967	CLAMP, BLOWER HOUSING
6	33001855	SCREW (HEX HEAD) (S/P)
7	Y313561	DESCONTINUADO
8	303392	CYCLING THERMOSTAT 140 DEG.
8	306966	THERMOSTAT, MULTI-TEMP (S/P)
9	22001996	SCREW (S/P)
10	33001762	FUSE, THERMAL (W` BRACKET)
11	314848	SCREW (S/P)
12	Y314137	FOOT, RUBBER
13	33002711	COVER, BLOWER HOUSING (S/P)
14	314818	SCREW (S/P)
15	33002478	MOTOR (W/PULLEY)
15	33002795	MOTOR, DRIVE 60HZ (S/P)
16	Y015825	CLIP, MOTOR (S/P)
17	910343	SCREW, GROUND WIRE (S/P)
18	33002478	SWITCH, MOTOR
19	901220	WIRE, GROUND (S/P)
20	Y310376	CLIP, WIRE HARNESS (S/P)
21	33002157	GROMMET (S/P)
21	33002459	SPRING, IDLER (S/P)
21	33002461	PLUG FOR SPRING (S/P)
22	33001840	IDLER ARM & SHAFT ASSY. (S/P)
23	Y312527	WASHER, IDLER SHAFT (QTY-1) (S/P)
24	33001783	BEARING, IDLER ASSEMBLY (S/P)
25	312958	RETAINING RING, IDLER SHAFT (S/P)
26	315772	SLEEVE, IDLER ARM (S/P)
27	Y014874	SCREW (S/P)
28	Y313561	DESCONTINUADO

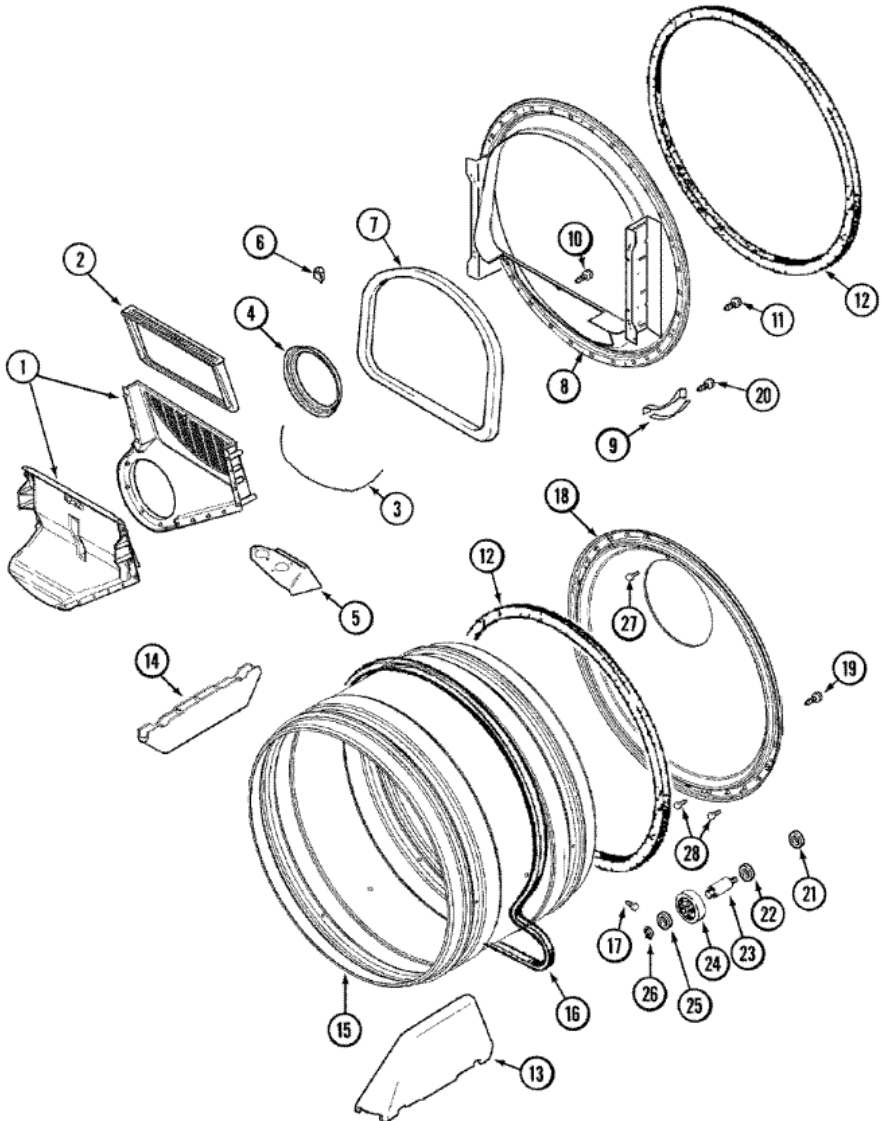
28	33002817	SUPPORT, MOTOR (S/P)
29	Y313561	DESCONTINUADO
30	33002622	BASE, (LWR) (S/P)
30	33002465	DESCONTINUADO
30	33002465	BASE (S/P)
31	22001078	SCREW (S/P)
32	22003298	RETAINER, WIRE (S/P)
33	410490	SPRING, WIRE HARNESS (S/P)
34	305086	ADJUSTABLE LEG & NUT
35	Y052740	NUT (S/P)

Distribuidor Autorizado

SurteRápido.com

Venta de Refacciones
Electrodomesticas

MDG16MNAWW TAMBOR





MDG16MNAWW TAMBOR

1	33001799	OUTLET DUCT ASSEMBLY
2	33002790	FILTER, LINT
3	33001775	DESCONTINUADO
4	33002560	SEAL, BLOWER (S/P)
5	33001837	COVER, THERMOSTAT (ELEC ONLY) (S/P)
6	Y310376	CLIP, WIRE HARNESS (S/P)
7	33001767	SEAL, SHROUD (S/P)
8	33001802	FRONT, TUMBLER (W/SEAL)
9	306508	TUMBLER BEARING KIT
10	312311	SCREW----NA (S/P)
11	33001855	SCREW (HEX HEAD) (S/P)
12	33001807	SEAL, TUMBLER
13	33002032	BAFFLE (TALL)
14	33001755	BAFFLE (SHORT)
15	33001889	TUMBLER
16	33002535	BELT, TUMBLER
17	33001788	SCREW, BAFFLE (S/P)
18	33001801	BACK, TUMBLER (W/SEAL) (S/P)
19	33002190	SCREW (No.10-3/8``) (S/P)
20	210720	RIVET (S/P)
21	33001443	NUT, HEX (ROLLER SHAFT) (S/P)
22	312535	WASHER, SPRING (ROLLER SHAFT) (S/P)
23	Y312948	SHAFT, TUMBLER ROLLER (S/P)
24	12001541	BEARING & ROLLER ASSEMBLY
25	312535	WASHER, ROLLER SHAFT (S/P)
26	410233	RING, RETAINING (S/P)
27	210932	SCREW, No.8 X 9/16 CTSK (S/P)
28	22001996	SCREW (S/P)