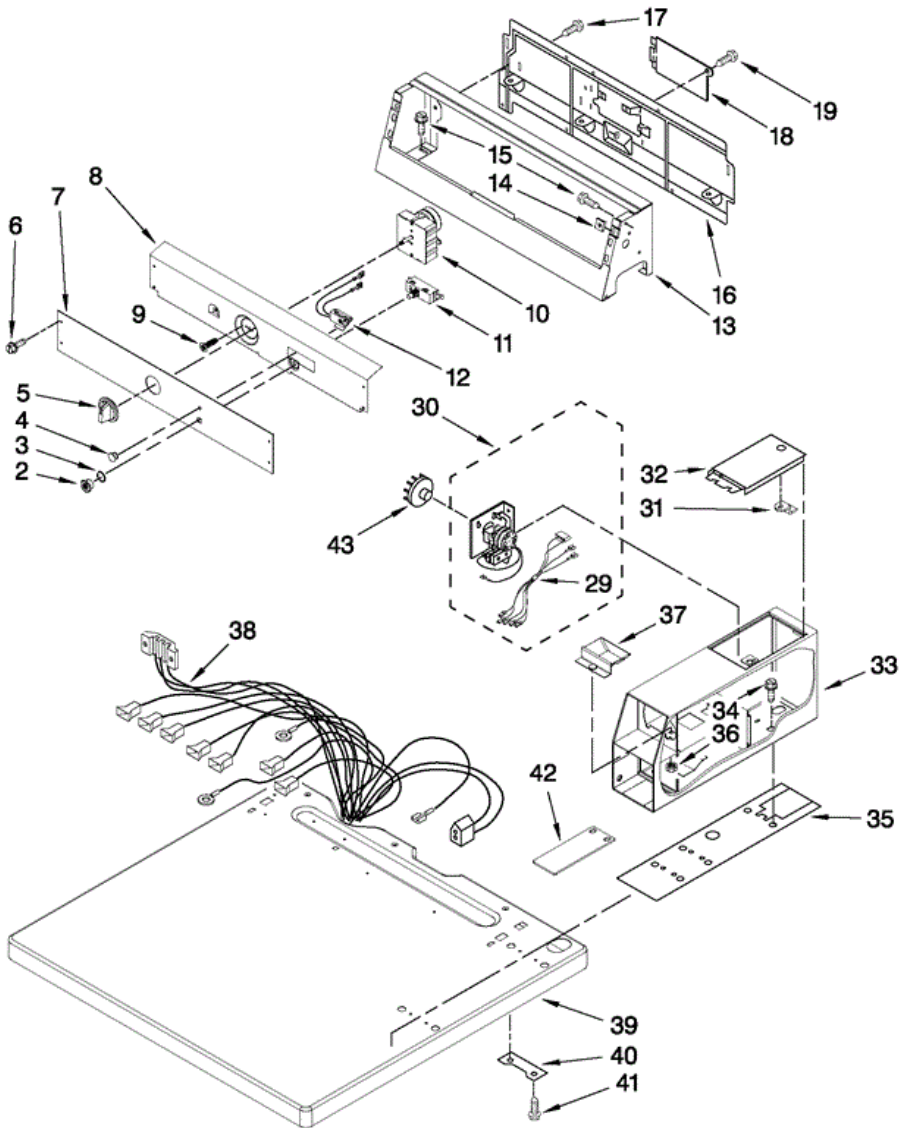


**MDG17CSAWW0 TABLERO**





## MDG17CSAWW0 TABLERO

2	W10146429	NUT, 8-32 X 3/8
3	W10139799	WASHER
4	W10133502	LENS, PILOT LIGHT AMBER
5	W10133507	KNOB
6	W10131119	SCREW
7	W10135183	FACIA / OVERLAY
8	W10124213	BRACKET, CONTROL
9	W10139100	SCREW
10	W10129712	SWITCH, CYCLE SELECTION
11	W10149462	SWITCH, PUSH-TO-START
12	W10130072	LAMP-INDICATOR
13	W10137299	CONSOLE
14	W10131123	NUT, NO.8 U TYPE
15	W10139210	SCREW
16	3978608	PANEL, REAR (UPPER)
17	3390647	SCREW
18	8317340	COVER, TERMINAL BOX
19	3390814	SCREW
29	W10177793	HARNESS, TIMER
30	W10135260	TIMER 7 HARNESS ASSEMBLY
31	W10145154	CAM COMMERCIAL LOCK
32	3351136	DOOR, SERVICE
33	W10136649	METER CASE
34	3349065	BOLT, METER CASE (5/16-24 X 1.00)
34	3353994	BOLT, METER CASE (5/16-18 X 2 1/2)
35	3954812	CUSHION, METER
36	W10139060	NUT, 1/4-20
37	W10133509	FUNNEL, COIN
38	W10153108	HARNESS, MAIN
39	W10136707	TOP
40	3347825	PLATE, MOUNTING
41	98445	SCREW
42	W10153513	EXTENSION

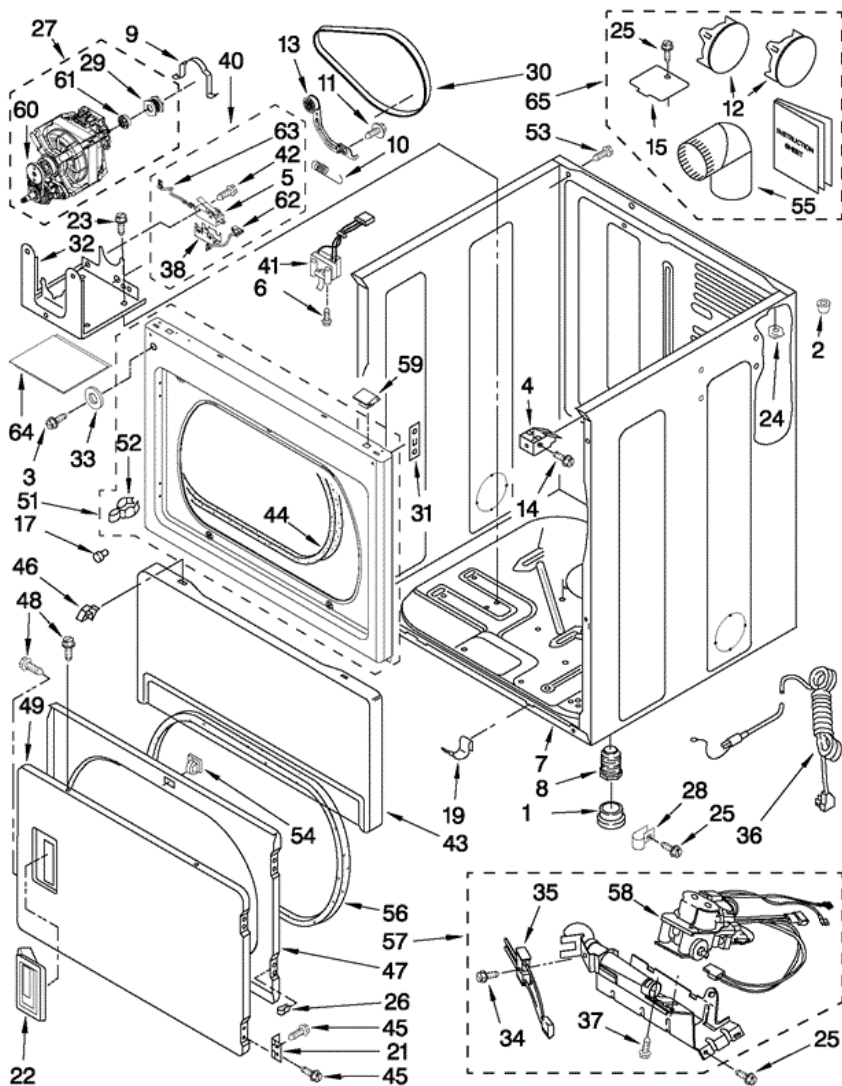
43	3387974	TIMING CAM (CAM - 3 PIN)
43	343777	TIMING CAM (CAM - 6 PIN)

Distribuidor Autorizado

SurteRápido.com

Venta de Refacciones  
Electrodomesticas

## MDG17CSAWW0 GABINETE





## MDG17CSAWW0 GABINETE

1	3391943	BOOT, FOOT
2	356674	CONE WEDGE
3	3400077	SCREW
4	3391846	CLIP, FRONT PANEL
5	8564010	SWITCH, BROKEN BELT
6	697773	SCREW
7	8310656	CABINET
8	3392100	FOOT, DRYER (PLASTIC)
9	660658	CLAMP, MOTOR
10	3387374	SPRING, IDLER
11	3389420	RETAINER, IDLER
12	697750	PLUG, MULTIVENT
13	W10141380	IDLER ASSEMBLY
14	3391915	SCREW
15	3394331	PLATE, COVER
17	693152	BUMPER
19	297092	CLIP
21	3389247	HINGE AND PIN
22	3389522	HANDLE, DOOR
23	3390663	SCREW
24	90406	CAGE NUT 5/16 - 18
25	3390647	SCREW
26	3389249	NUT, ``U``
27	W10139766	MOTOR ASSEMBLY 60 HZ.
28	3387561	CLAMP, PIPE
29	3394341	PULLEY 60 HZ
30	W10131172	BELT, DRIVE
31	3390902	CLIP, DOOR HINGE
32	W10135695	BRACKET, MOTOR
33	3392186	WASHER
34	3393909	SCREW
35	686590	IGNITOR
36	3401401	CORD, POWER

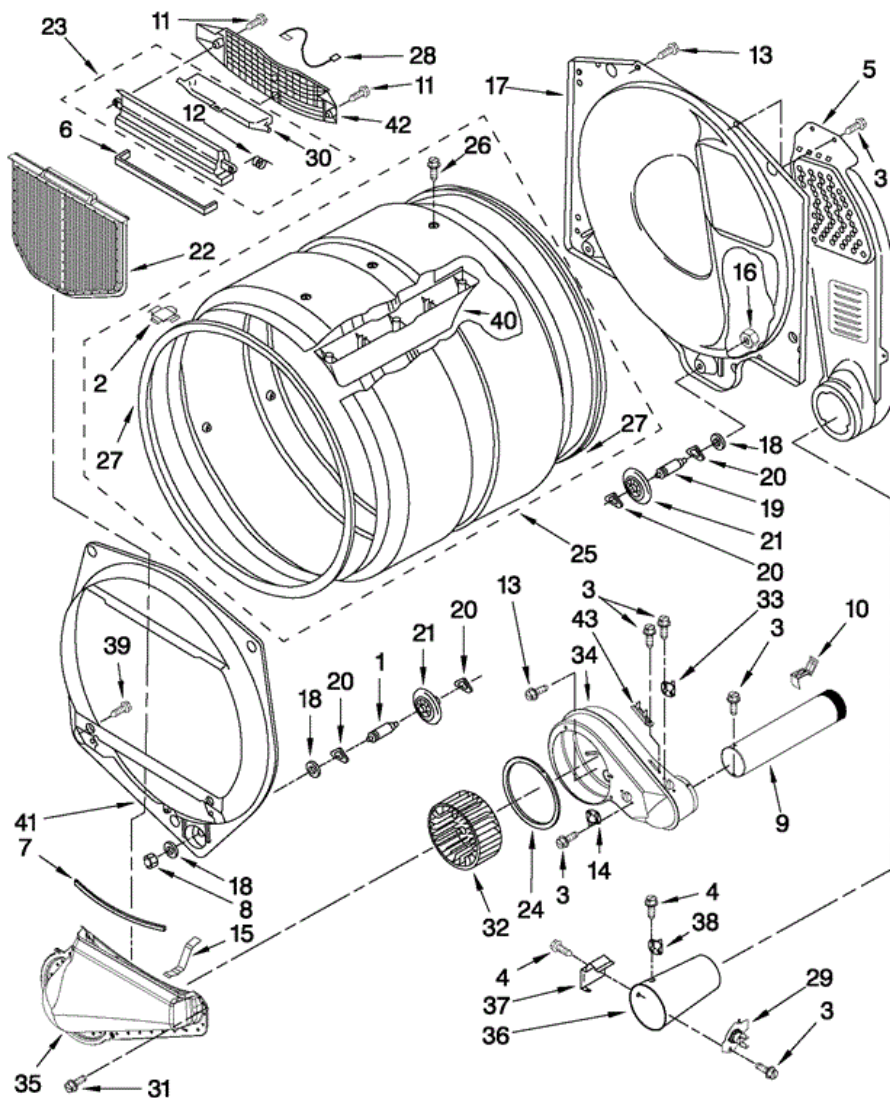
37	3387057	SCREW
38	8564011	BRACKET, SWITCH
40	W10155571	SWITCH, ASSEMBLY
41	3406109	DOOR SWITCH ASSEMBLY
42	W10002600	SCREW
43	697215	PANEL, TOE (INCLUDES, ITEM. 17)
44	3387242	SEAL, FRONT PANEL
45	342055	SCREW
46	3388229	RETAINER
47	3392563	DOOR, REAR
48	694091	SCREW
49	3387872	DOOR, FRONT
51	3393081	LOWER FRONT PANEL
52	696144	STRIKE, DOOR
53	8533974	SCREW GROUND
54	3392538	CATCH, DOOR ASSEMBLY
55	279731	4"-90° ELBOW
56	3390735	SEAL, DOOR
57	W10135231	BURNER ASSEMBLY 60 HZ.
58	W10141728	VALVE, GAS 60 HZ. (COMPLETE)
59	345670	LOCK-TOP
60	3405160	BELT, POLY V
61	3393657	BELT, RESTRAIN
62	8539892	WIRE-MOTOR TO-BELT-SWITCH
63	W10167613	WIRE, BELT SWITCH (TO PROTECTOR)
64	W10212660	SOUND PAD, MOTOR
NI	279810	FOOT - OPTIONAL (EXTENDED LENGTH PACKAGE 2)
NI	279818	DRYER EXHAUST KIT (FOR SIDE & BOTTOM VENTING)

Distribuidor Autorizado

SurteRápido.com

Venta de Refacciones  
Electrodomesticas

# MDG17CSAWW0 TAMBOR





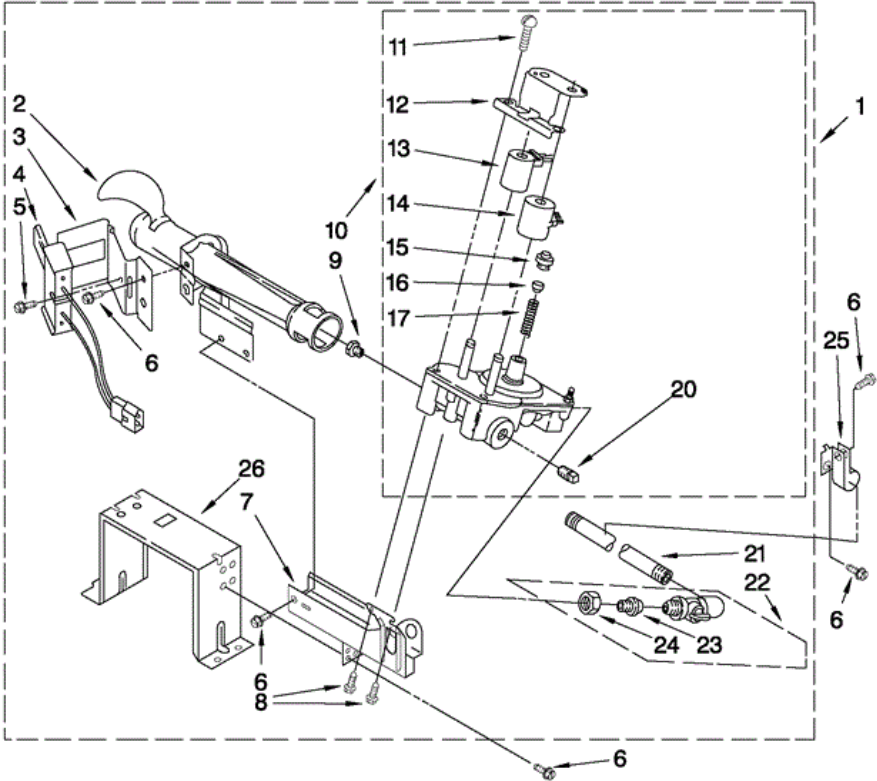
## MDG17CSAWW0 TAMBOR

1	8575324	SHAFT, R.H. THREAD
2	8066086	DRUM HOLE PLUG
3	8533971	SCREW
4	90767	SCREW
5	3394346	AIR DUCT ASSEMBLY
6	697813	SEAL, OUTLET HOUSING
7	697814	SEAL, DRUM FRONT
8	3934666	NUT, 3/8 X 16 (R.H.)
9	8066224	EXHAUST PIPE
10	8572105	CLIP, EXHAUST
11	3387230	SCREW
12	3394986	SPRING, LINT DOOR
13	3390647	SCREW
14	W10131836	THERMOSTAT 155Â°F ELECTRONIC
15	8066208	CLIP-SPRING
16	W10001120	NUT, 3/8-16 (L.H.)
17	3387809	BULKHEAD, REAR
18	3387459	WASHER, SUPPORT
19	8575325	SHAFT, L.H. THREAD
20	690997	RING, TRI
21	8536973	ROLLER, SUPPORT
22	W10049370	SCREEN, LINT
23	8563755	HOUSING, OUTLET ASSEMBLY
24	697770	SEAL, COVER PLATE
25	8318215	DRUM COMPLETE
26	W10109200	SCREW
27	W10166807	SEAL, DRUM
28	3401707	WIRE JUMPER
29	8573713	THERMAL-CUTOFF (INCLUDES ITEM. 38)
30	8563758	DOOR, LINT SCREEN
31	487909	SCREW
32	W10168564	WHEEL, BLOWER
33	W10165817	THERMOSTAT



34	W10135254	HOUSING, BLOWER
35	8066168	LINT DUCT ASSEMBLY
36	8573824	FUNNEL-BURNER
37	338906	SENSOR, RADIANT
38	8573028	THERMOSTAT 205 (96Â° C) HIGH LIMIT
39	3357011	SCREW
40	697693	BAFFLE, DRUM
41	697557	BULKHEAD, FRONT
42	8563756	GRILLE, OUTLET
43	3392519	THERMAL LIMITER

**MDG17CSAWW0 QUEMADOR**





## MDG17CSAWW0 QUEMADOR

1	W10135231	BURNER ASSEMBLY 60 HZ. (TYPE 1, 2 & 3)
2	688617	TUBE, BURNER
3	694298	BRACKET, IGNITOR
4	686590	IGNITOR
5	3393909	SCREW & WASHER (8-32 X 5/8)
6	343641	SCREW, 10-16 X 1/2
7	3389871	BASE, BURNER
8	3387057	SCREW, 10-16 X 1/2
9	234868	ORIFICE, BURNER (TYPE 2)
9	234870	ORIFICE, BURNER (TYPE 1)
10	W10141728	VALVE, GAS 60 HZ. (COMPLETE)
11	694421	SCREW, 8-32 X 1/2
12	694538	BRACKET, COIL
13	694540	COIL, 60 HZ. 2 TERMINAL) (MAIN)
14	694539	COIL, 60 HZ. (SPLIT) (3 TERMINAL) (PILOT POSITION)
15	694424	LEAK, LIMITER
16	694423	SCREW, REGULATOR ADJUSTMENT
17	694422	SPRING, REGULATOR
20	239822	PLUG, PIPE
21	W10110395	PIPE, GAS SUPPLY
22	697441	VALVE & UNION SHUT-OFF
23	3393767	PIPE, TAIL
24	233076	NUT, COMPRESSION
25	3387561	CLAMP, PIPE
26	3389889	BRACKET, SUPPORT
NI	W10436933	CONVERSION KIT (TYPE 1 AND 2) TO TYPE (4) L.P.G.