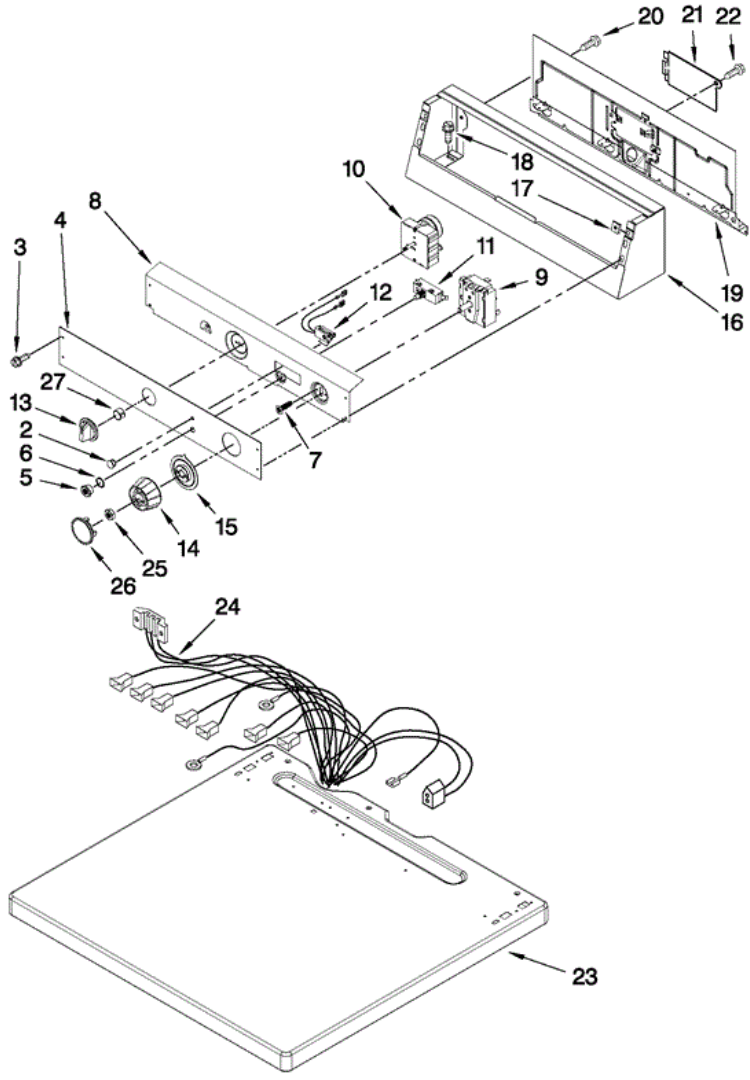


**MDG17MNAWW1 TABLERO**





## MDG17MNAWW1 TABLERO

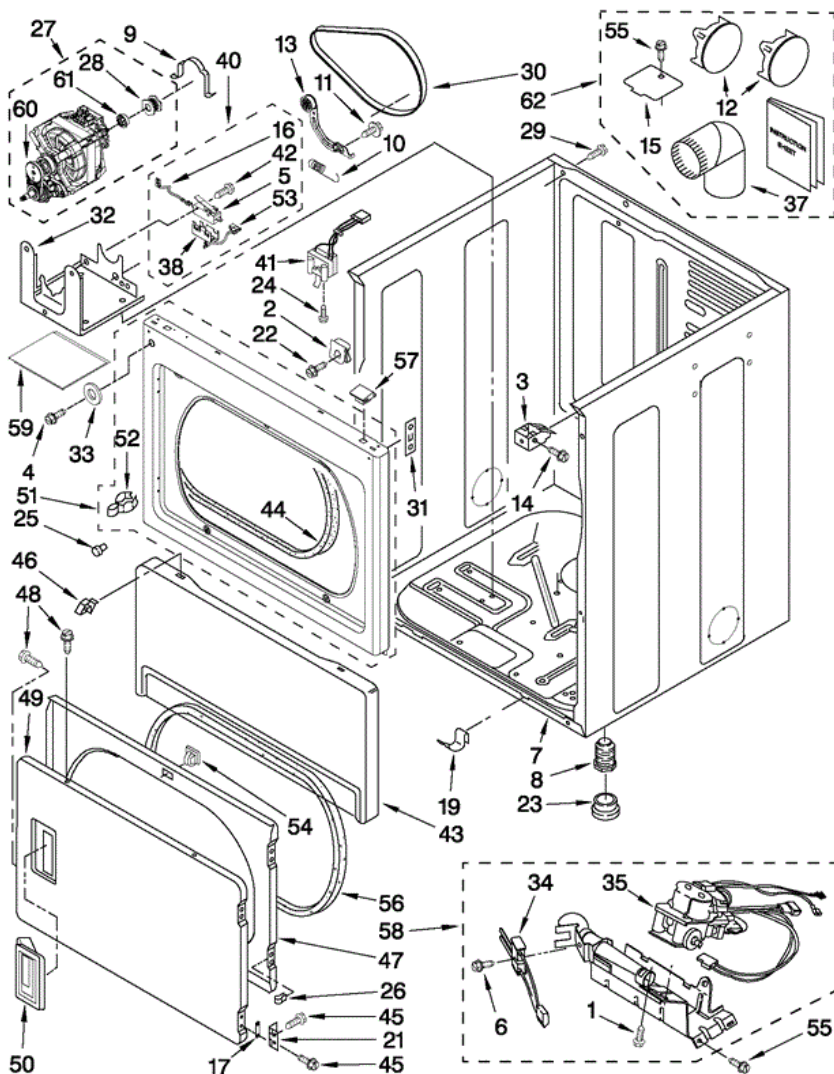
2	W10133502	LENS, PILOT LIGHT AMBER
3	W10131119	SCREW
4	W10135184	FACIA / OVERLAY
5	W10146429	NUT, 8-32 X 3/8
6	W10139799	WASHER
7	W10139100	SCREW
8	W10124216	BRACKET, CONTROL
9	W10157942	TIMER, DRYER
10	W10129712	SWITCH, CYCLE SELECTION
11	W10149462	SWITCH, PUSH-TO-START
12	W10130072	LAMP-INDICATOR 120 V.
13	W10133507	KNOB
14	W10133505	KNOB, CONTROL
15	W10133506	SKIRT, DIAL
16	W10205150	CONSOLE
17	W10131123	NUT, NO.8 U TYPE
18	W10139210	SCREW
19	8317305	PANEL, REAR (UPPER)
20	3390647	SCREW
21	8317340	COVER, TERMINAL BOX
22	3390814	SCREW
23	W10136704	TOP
24	W10153155	HARNESS, MAIN
25	W10155650	NUT, 1/4-28
26	W10133501	CAP, KNOB
27	W10140928	CLIP, KNOB

Distribuidor Autorizado

SurteRápido.com

Venta de Refacciones  
Electrodomesticas

## MDG17MNAWW1 GABINETE





## MDG17MNAWW1 GABINETE

1	3387057	SCREW
2	W10131123	NUT, NO.8 U TYPE
3	3391846	CLIP, FRONT PANEL
4	3400077	SCREW
5	8564010	SWITCH, BROKEN BELT
6	3393909	SCREW
7	8310656	CABINET
8	3392100	FOOT, DRYER (PLASTIC)
9	660658	CLAMP, MOTOR
10	3387374	SPRING, IDLER
11	3389420	RETAINER, IDLER
12	697750	PLUG, MULTIVENT
13	W10141380	IDLER ASSEMBLY
14	3391915	SCREW
15	3394331	PLATE, COVER
16	W10167613	WIRE, BELT SWITCH
17	W10191265	PLUG, HINGE SCREW
19	297092	CLIP
21	3389247	HINGE AND PIN
22	W10131119	SCREW
23	3391943	BOOT, FOOT
24	697773	SCREW
25	693152	BUMPER
26	3389249	NUT, ``U``
27	W10139766	MOTOR ASSEMBLY 60 HZ.
28	3394341	PULLEY
29	8533974	SCREW
30	W10131172	BELT, DRIVE
31	3390902	CLIP, DOOR HINGE
32	W10135695	BRACKET, MOTOR
33	3392186	WASHER
34	686590	IGNITOR
35	W10141728	VALVE, GAS 60 HZ. (COMPLETE)

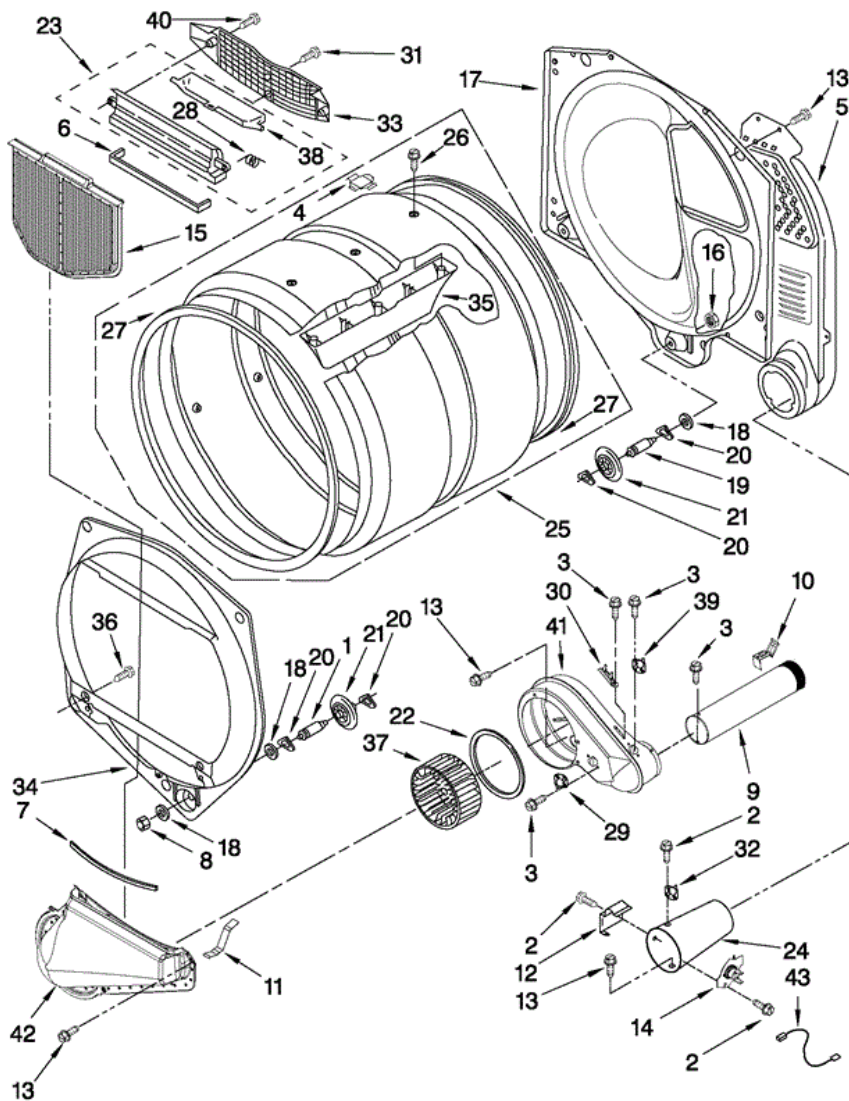
37	279731	4`-90° ELBOW
38	8564011	BRACKET, SWITCH
40	W10155571	SWITCH, ASSEMBLY
41	3406109	DOOR SWITCH ASSEMBLY
42	W10002600	SCREW
43	697215	PANEL, TOE (INCLUDES, ITEM. 17)
44	3387242	SEAL, FRONT PANEL
45	342055	SCREW
46	3388229	RETAINER
47	3392563	DOOR, REAR
48	694091	SCREW
49	3387872	DOOR, FRONT
50	W10116360	HANDLE, DOOR
51	W10192882	FRONT PANEL
52	696144	STRIKE, DOOR
53	8539892	WIRE, JUMPER
54	3392538	CATCH, DOOR ASSEMBLY
55	3390647	SCREW
56	3390735	SEAL, DOOR
57	345670	LOCK-TOP
58	W10135231	BURNER ASSEMBLY 60 HZ. (REFER TO PAGES 8 & 9)
59	W10212660	SOUND PAD, MOTOR
60	3405160	BELT, POLY V
61	3393657	BELT, RESTRAIN
NI	279810	FOOT – OPTIONAL
NI	279818	DRYER EXHAUST KIT(WHITE)

Distribuidor Autorizado

SurteRápido.com

Venta de Refacciones  
Electrodomesticas

# MDG17MNAWW1 TAMBOR





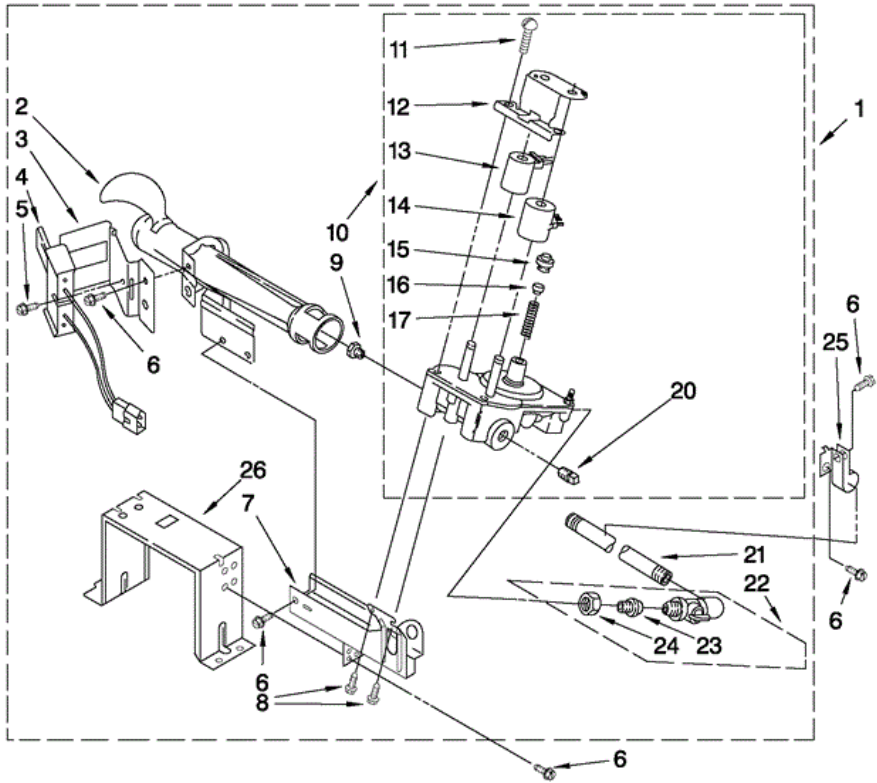
## MDG17MNAWW1 TAMBOR

1	8575324	SHAFT, R.H. THREAD
2	90767	SCREW
3	8533971	SCREW
4	8066086	DRUM HOLE PLUG
5	3394346	AIR DUCT ASSEMBLY
6	697813	SEAL, OUTLET HOUSING
7	697814	SEAL, DRUM FRONT
8	3934666	NUT, 3/8 X 16 (R.H.)
9	8066224	EXHAUST PIPE
10	8572105	CLIP, EXHAUST
11	8066208	CLIP-SPRING
12	338906	SENSOR, RADIANT
13	3390647	SCREW
14	8573713	THERMAL CUT-OFF (INCLUDES ITEM 32)
15	W10049370	SCREEN, LINT
16	W10001120	NUT, 3/8-16 (L.H.)
17	3387809	BULKHEAD, REAR
18	3387459	WASHER, SUPPORT
19	8575325	SHAFT, L.H. THREAD
20	690997	RING, TRI
21	8536973	ROLLER, SUPPORT
22	697770	SEAL, COVER PLATE
23	8563755	HOUSING, OUTLET
24	8573824	FUNNEL-BURNER
25	8318215	DRUM COMPLETE
26	W10219342	SCREW
27	W10166807	SEAL, DRUM
28	3394986	SPRING, LINT SCREEN
29	W10131836	THERMOSTAT 155 F GAS
30	3392519	THERMAL LIMITER
31	487909	SCREW
32	3391912	THERMOSTAT, HIGH-LIMIT 255Â°F
33	8563756	GRILL, OUTLET

34	697557	BULKHEAD, FRONT
35	697693	BAFFLE, DRUM
36	3357011	SCREW
37	W10168564	WHEEL, BLOWER
38	8563758	DOOR, LINT SCREEN
39	W10178810	THERMOSTAT 140 F CYCLING
40	3387230	SCREW
41	W10135254	HOUSING, BLOWER
42	8066168	LINT DUCT ASSEMBLY
43	3401707	WIRE JUMPER



**MDG17MNAWW1 QUEMADOR**





## MDG17MNAWW1 QUEMADOR

1	W10135231	BURNER ASSEMBLY 60 HZ. (TYPE 1, 2 & 3)
2	688617	TUBE, BURNER
3	694298	BRACKET, IGNITOR
4	686590	IGNITOR
5	3393909	SCREW & WASHER (8-32 X 5/8)
6	343641	SCREW, 10-16 X 1/2
7	3389871	BASE, BURNER
8	3387057	SCREW, 10-16 X 1/2
9	234868	ORIFICE, BURNER (TYPE 2)
9	234870	ORIFICE, BURNER (TYPE 1)
10	W10141728	VALVE, GAS 60 HZ. (COMPLETE)
11	694421	SCREW, 8-32 X 1/2
12	694538	BRACKET, COIL
13	694540	COIL, 60 HZ. 2 TERMINAL) (MAIN)
14	694539	COIL, 60 HZ. (SPLIT) (3 TERMINAL) (PILOT POSITION)
15	694424	LEAK, LIMITER
16	694423	SCREW, REGULATOR ADJUSTMENT
17	694422	SPRING, REGULATOR
20	239822	PLUG, PIPE
21	W10110395	PIPE, GAS SUPPLY
22	697441	VALVE & UNION SHUT-OFF
23	3393767	PIPE, TAIL
24	233076	NUT, COMPRESSION
25	3387561	CLAMP, PIPE
26	3389889	BRACKET, SUPPORT
NI	W10436933	CONVERSION KIT (TYPE 1 AND 2) TO TYPE (4) L.P.G.