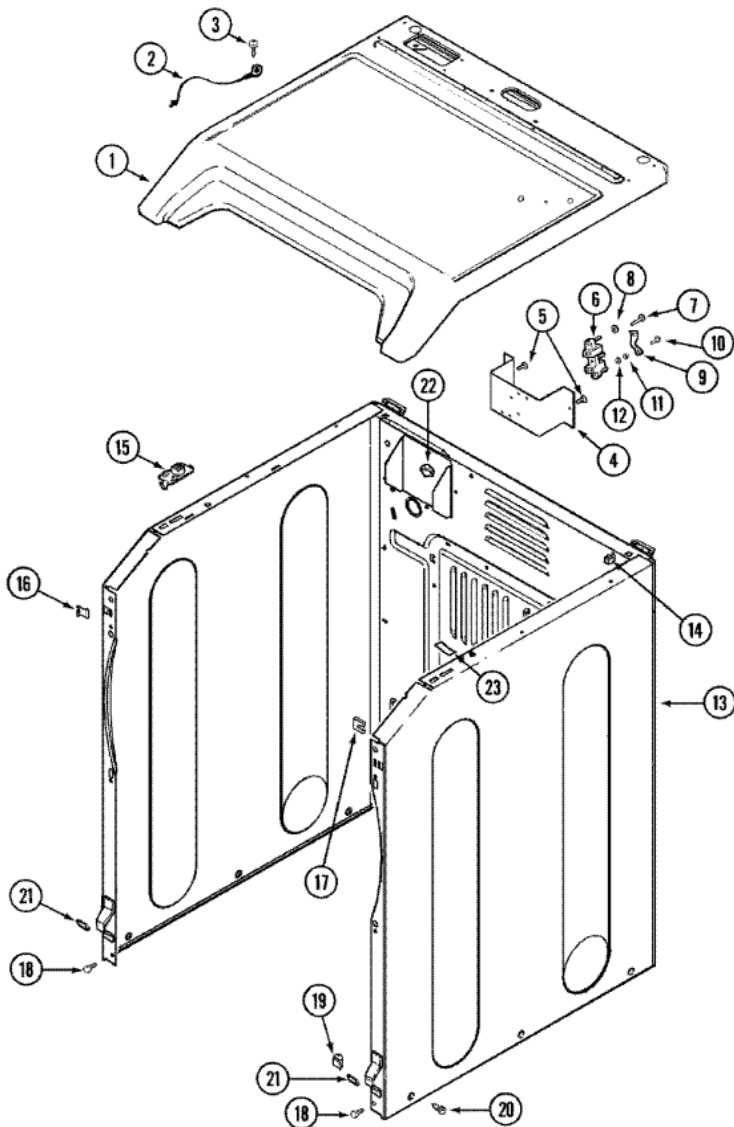


Distribuidor Autorizado

SurteRápido.com

Venta de Refacciones  
Electrodomesticas

## MDG21PNAWW GABINETE

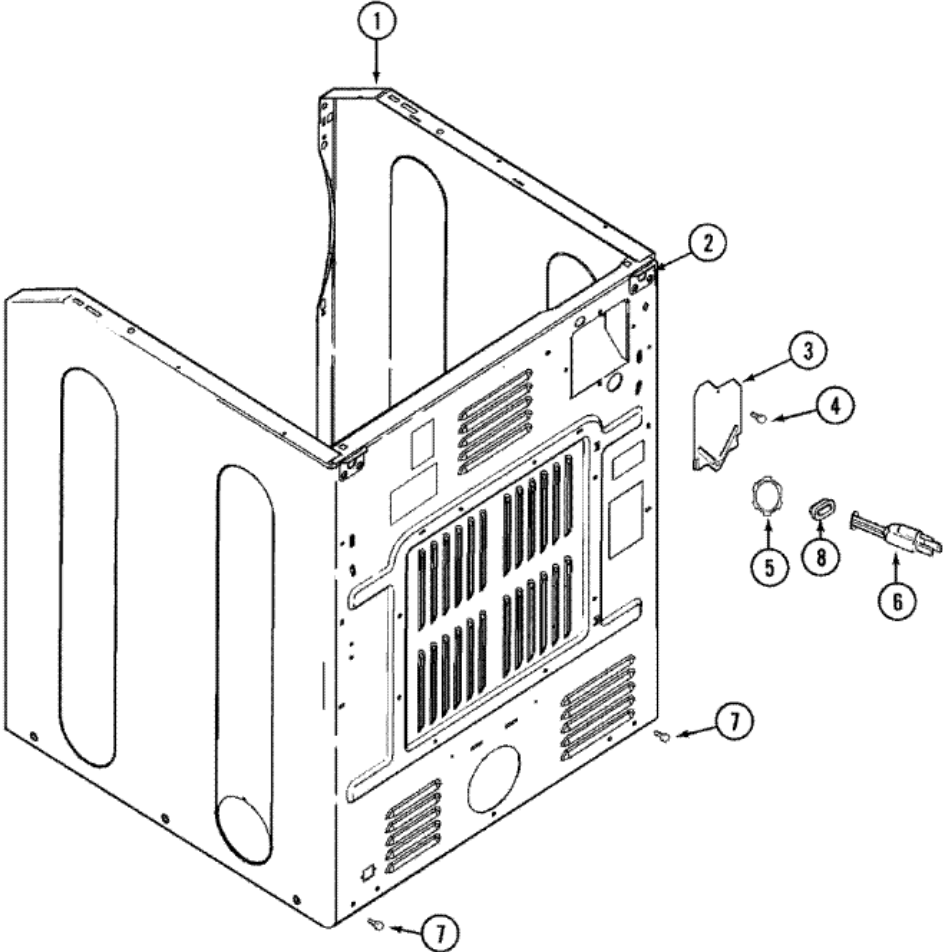




**MDG21PNAWW GABINETE**

1	33002627	COVER, TOP (WHT-AS PK) (S/P)
2	22001959	WIRE, GROUND (S/P)
3	210186	<b>DESCONTINUADO</b>
4	33001826	<b>DESCONTINUADO</b>
5	22001995	SCREW (S/P)
6	33001244	BLOCK, TERMINAL (S/P)
7	Y312209	SCREW, No.10-24 X 3/4 INCH (S/P)
8	Y311270	WASHER, TERMINAL BLOCK (S/P)
9	Y312184	STRAP, GROUND (S/P)
10	33001245	<b>DESCONTINUADO</b>
11	311484	NUT, TERMINAL BLOCK (S/P)
12	311093	WASHER, 7/32 INCH (S/P)
13	22003582	CABINET, ASSY. (WHT-AS PK) (S/P)
14	33002194	FASTENER (S/P)
15	33002891	PIN, LOCATOR (S/P)
16	22002049	CLIP (S/P)
17	213280	FRONT PANEL BRACKET/FASTENER (S/P)
18	22001995	SCREW (S/P)
19	22003298	RETAINER, WIRE (S/P)
20	22003409	(S/P)
21	22002239	CLIP, LOWER FRONT PANEL (S/P)
21	213280	FRONT PANEL BRACKET/FASTENER (S/P)
22	33002073	CLIP, WIRE HARNESS (S/P)
23	33001836	STRAP, TOP COVER SUPPORT (S/P)

**MDG21PNAWW GABINETE**





**MDG21PNAWW GABINETE**

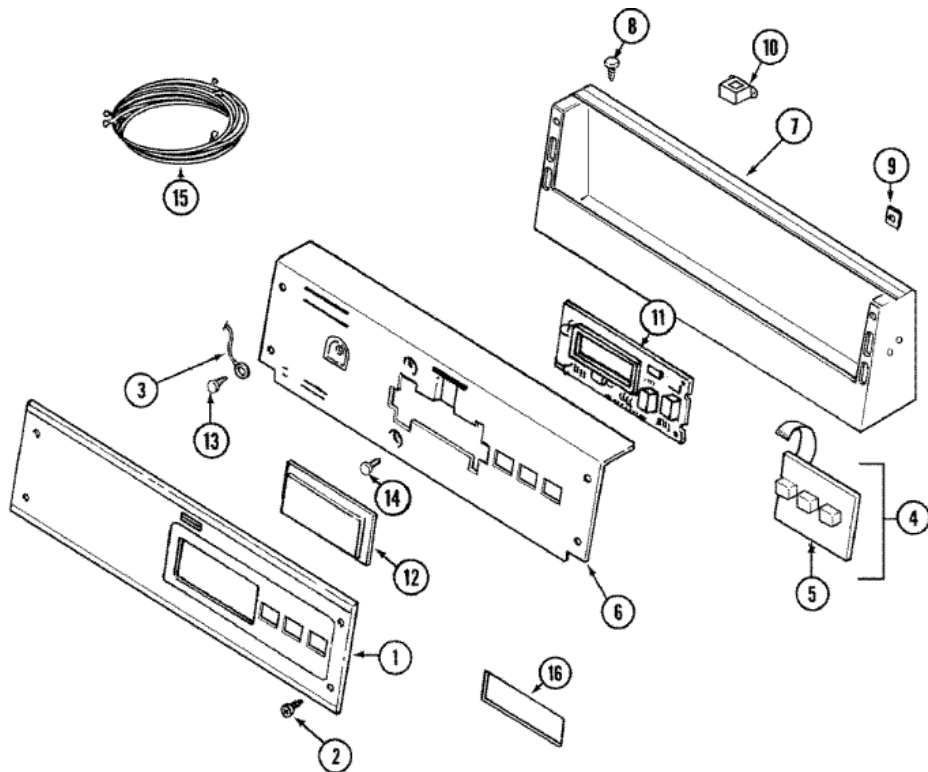
1	33002668	CONTROL PANEL (S/P)
2	22001995	SCREW (S/P)
2	22004095	HINGE, PLASTIC
3	33001795	COVER, TERMINAL BLOCK (S/P)
4	22001995	SCREW (S/P)
5	33001425	LOCKNUT, EARED FOR CANADIAN (S/P)
6	22003062	CORD, POWER (AS WRAPPED) (S/P)
7	22001995	SCREW (S/P)
8	211881	GROMMET, CORD (S/P)

Distribuidor Autorizado

SurteRápido.com

Venta de Refacciones  
Electrodomesticas

## MDG21PNAWW TABLERO





## MDG21PNAWW TABLERO

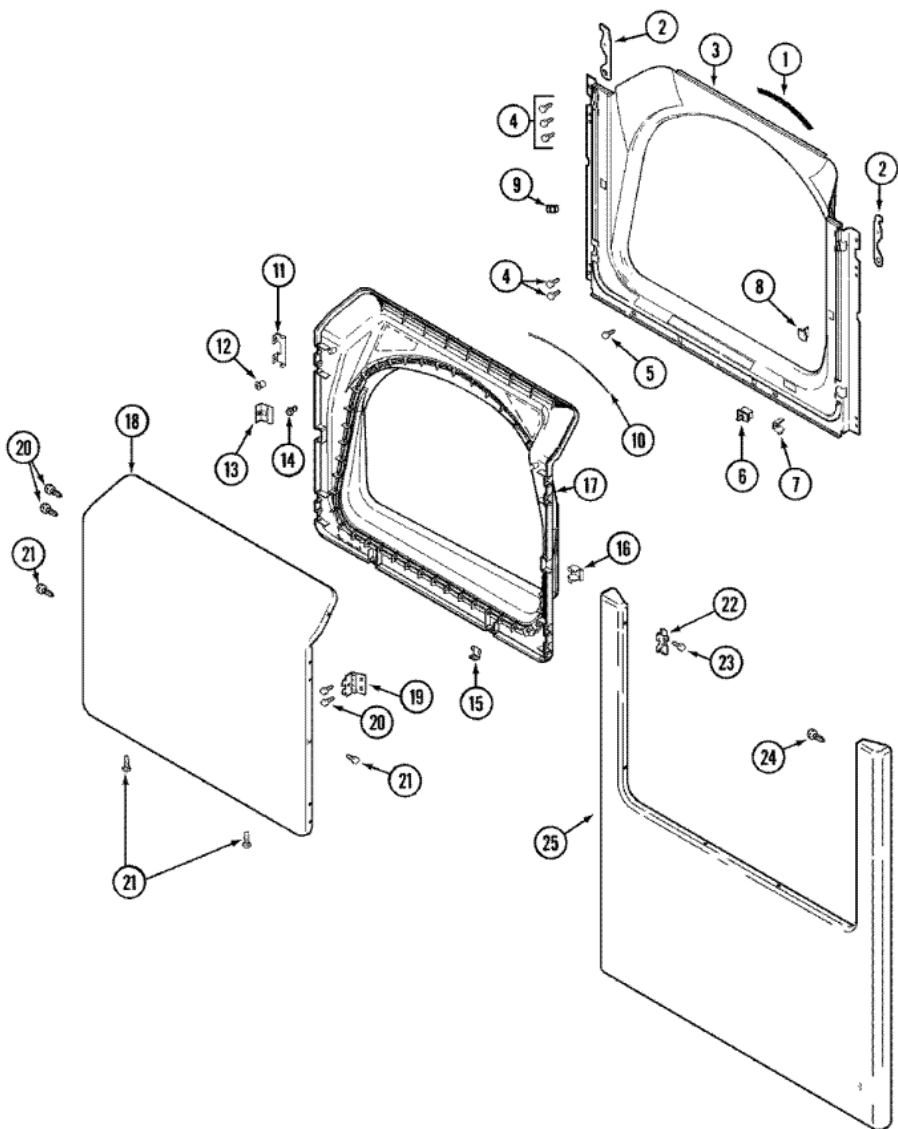
1	33002668	CONTROL PANEL (S/P)
2	215506	SCREW, TORX (S/P)
3	22001959	WIRE, GROUND (S/P)
4	306694	BACKUP PLATE WITH SWITCH (S/P)
4	215527	SCREW (S/P)
5	33002863	PUSHBUTTON
6	22002954	DEFLECTOR, WATER (W/ADHESIVE) (S/P)
6	33002523	BRACKET, BACK (WHT) (S/P)
7	22003101	<b>DESCONTINUADO</b>
8	22001996	SCREW (S/P)
9	215003	FASTENER (S/P)
10	22001419	NUT (ELASTIC) (S/P)
10	211251	SCREW (S/P)
10	22001960	TRANSFORMER
11	33001204	<b>DESCONTINUADO</b>
11	33003005	BOARD ASSY., CIRCUIT
11	912077	LOCKNUT (S/P)
12	22001962	COVER, DISPLAY (S/P)
13	211252	SCREW (S/P)
14	215526	SCREW (S/P)
15	33001856	<b>DESCONTINUADO</b>
15	22003818	WIRE HARNESS (S/P)
16	22001976	BEZEL (S/P)
17	33002090	<b>DESCONTINUADO</b>

Distribuidor Autorizado

SurteRápido.com

Venta de Refacciones  
Electrodomesticas

## MDG21PNAWW PUERTA





## MDG21PNAWW PUERTA

1	33001767	SEAL, SHROUD (S/P)
2	33002597	HOOK, SECURITY (S/P)
3	33001778	SHROUD (WHT) (S/P)
4	22001995	SCREW (S/P)
5	33001768	SCREW, SHROUD (S/P)
6	33001508	SWITCH, DOOR
7	33001760	BRACKET, HINGE (S/P)
8	33001768	SCREW, SHROUD (S/P)
9	LA-1003	CATCH, DOOR (FEMALE)
10	33002094	SEAL, DOOR (S/P)
11	22002038	CLIP, DOOR (DOUBLE) (S/P)
12	33001771	BUSHING, INNER DOOR (S/P)
13	33001793	BRACKET, STRIKE (S/P)
14	33001761	STRIKE, DOOR (MALE) (S/P)
15	22002039	CLIP, DOOR (SINGLE) (S/P)
16	33001763	PLUG, INNER DOOR (S/P)
17	22002063	SCREW No.8-18AB WAFER HD (S/P)
17	33002544	DOOR, INNER W/SEAL (WHT) (S/P)
17	22002300	SCREW (S/P)
17	22002039	CLIP, DOOR (SINGLE) (S/P)
18	22003785	DOOR, OUTER (WHT) (S/P)
19	33001759	HINGE, DOOR (S/P)
20	22002062	SCREW (S/P)
21	22002063	SCREW No.8-18AB WAFER HD (S/P)
22	33001764	COVER, HINGE HOLE (WHT) (S/P)
23	33001846	SCREW (S/P)
24	22002243	SCREW (S/P)
24	22002244	CLIP, GROUNDING (S/P)
25	22002836	PANEL, FRONT (WHT) (S/P)
25	22002239	CLIP, LOWER FRONT PANEL (S/P)

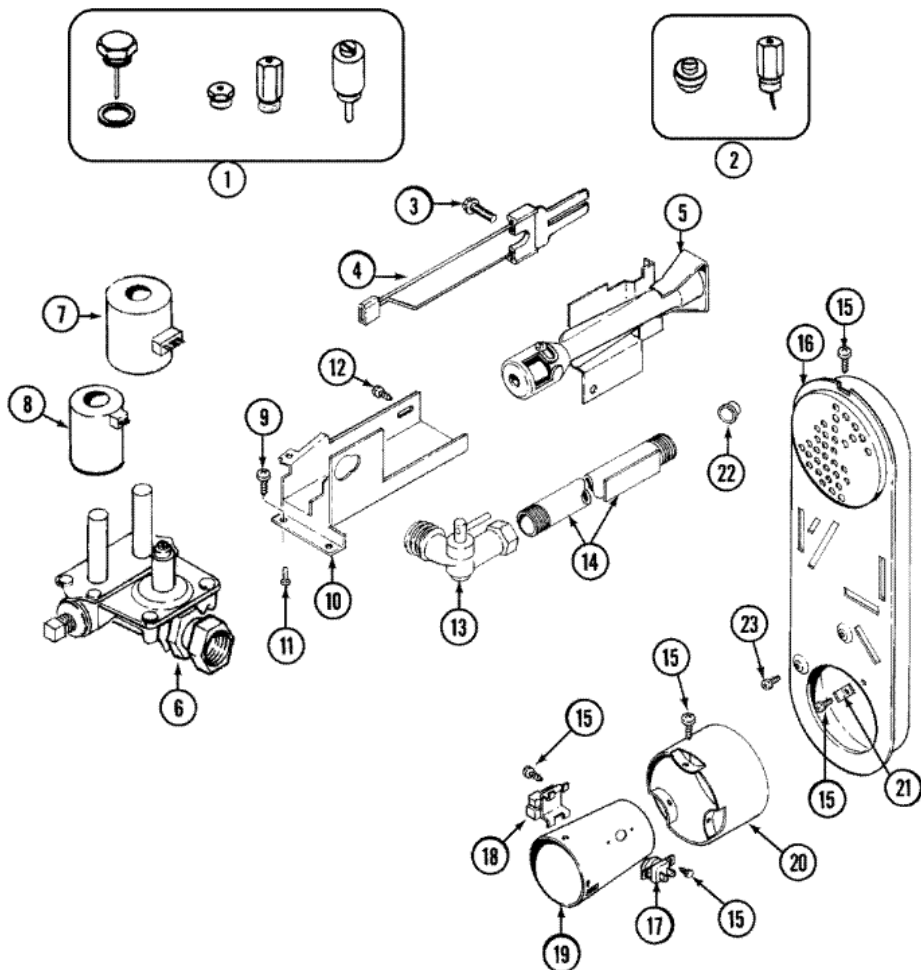


Distribuidor Autorizado

SurteRápido.com

Venta de Refacciones  
Electrodomesticas

## MDG21PNAWW QUEMADOR





## MDG21PNAWW QUEMADOR

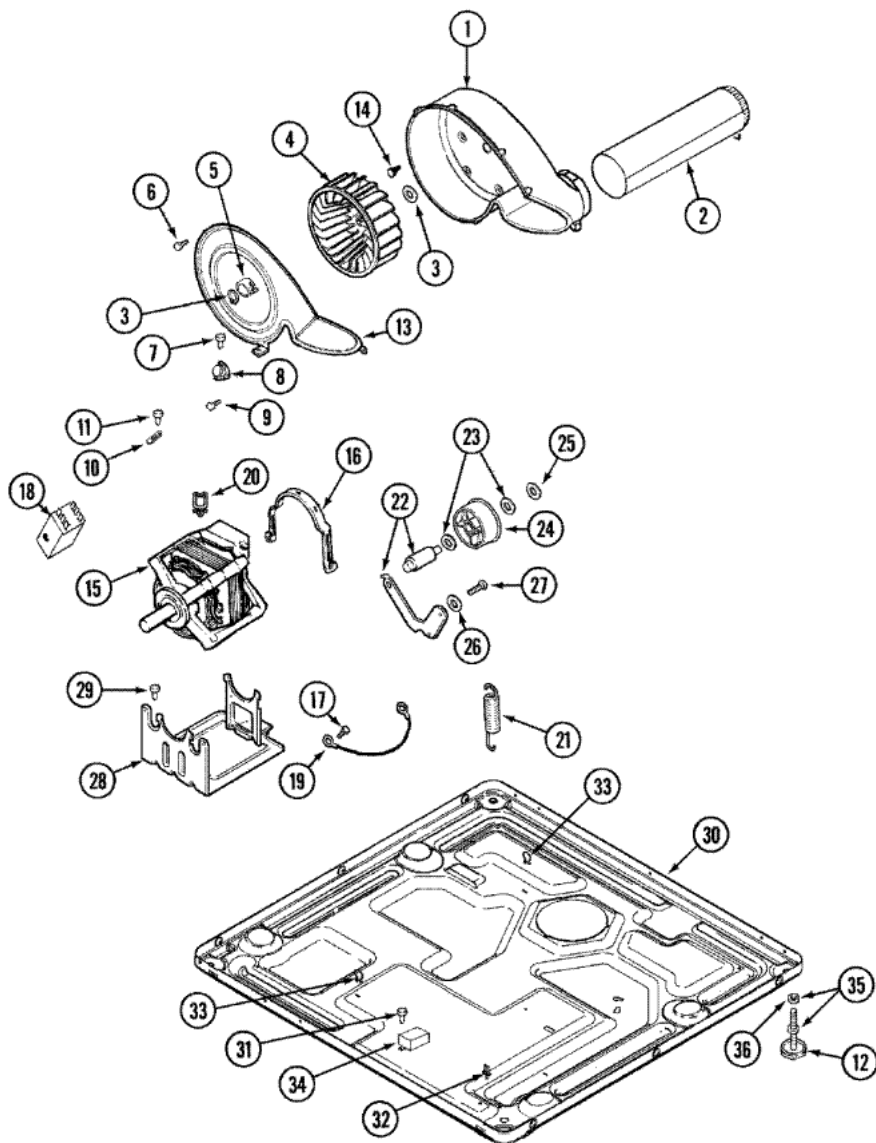
1	660532	CONVERSION KIT (NATURAL TO LP) (S/P)
2	33002925	CONVERSION KIT (LP TO NATURAL) (S/P)
3	304971	SCREW (S/P)
4	WE4X750	IGNITER ASSY, GAS VALVE
4	33002789	IGNITER ASSEMBLY (S/P)
5	33002793	BURNER ASSEMBLY
6	308345	VALVE, GAS (S/P)
7	279834	COIL, HOLDING & BOOSTER
8	3-6105	COIL, SECONDARY
9	Y313561	<b>DESCONTINUADO</b>
10	33001834	<b>DESCONTINUADO</b>
11	314082	SCREW (S/P)
11	314568	SCREW-GAS VALVE TO BRACKET (S/P)
12	22001995	SCREW (S/P)
13	Y303349	SHUT-OFF, GAS VALVE (S/P)
13	33001842	CONNECTOR, ANGLE
14	33001735	PIPE & BRACKET ASSY. (S/P)
15	211294	SCREW (S/P)
16	33002952	<b>DESCONTINUADO</b>
17	305169	THERMOSTAT, HI-LIMIT GAS
18	338906	SENSOR, RADIANT
19	33001835	CONE ASSY., COMBUSTION (S/P)
20	Y303841	CONE, EXTENSION (COMBUSTION) (S/P)
21	Y312890	<b>DESCONTINUADO</b>
22	33001693	CAP, GAS PIPE (S/P)
23	22001996	SCREW (S/P)

Distribuidor Autorizado

SurteRápido.com

Venta de Refacciones  
Electrodomesticas

## MDG21PNAWW BASE





## MDG21PNAWW BASE

1	33001789	HOUSING, BLOWER (S/P)
2	33001800	DUCT ASSY., EXHAUST (S/P)
2	22001995	SCREW (S/P)
3	410233	RING, RETAINING (S/P)
4	33001790	WHEEL, BLOWER
4	33002797	WHEEL, BLOWER
5	312967	CLAMP, BLOWER HOUSING
6	33001855	SCREW (HEX HEAD) (S/P)
7	Y313561	<b>DESCONTINUADO</b>
8	33303391	THERMOSTAT, CYCLING (S/P)
8	303392	CYCLING THERMOSTAT 140 DEG.
9	22001996	SCREW (S/P)
10	33001762	FUSE, THERMAL (W` BRACKET)
11	314848	SCREW (S/P)
12	314137	FOOT, RUBBER
13	33001796	COVER, BLOWER HOUSING (S/P)
14	314818	SCREW (S/P)
15	33002478	MOTOR
15	33002795	MOTOR, DRIVE 60HZ
16	Y015825	CLIP, MOTOR (S/P)
17	910343	SCREW, GROUND WIRE (S/P)
18	Y052740	NUT (S/P)
19	901220	WIRE, GROUND (S/P)
20	Y310376	CLIP, WIRE HARNESS (S/P)
21	33002157	GROMMET (S/P)
21	33002459	SPRING, IDLER (S/P)
21	33002461	PLUG FOR SPRING (S/P)
22	33001840	IDLER ARM & SHAFT ASSY.
23	Y312527	WASHER, IDLER SHAFT (QTY-1) (S/P)
24	33001783	BEARING, IDLER ASSEMBLY
25	312958	RETAINING RING, IDLER SHAFT (S/P)
26	315772	SLEEVE, IDLER ARM (S/P)
27	Y014874	SCREW (S/P)

28	Y313561	<b>DESCONTINUADO</b>
28	33002817	SUPPORT, MOTOR (S/P)
29	Y313561	<b>DESCONTINUADO</b>
30	33002465	<b>DESCONTINUADO</b>
31	22001078	SCREW (S/P)
32	22003298	RETAINER, WIRE (S/P)
33	410490	SPRING, WIRE HARNESS (S/P)
34	306199	RELAY, HEATER
35	Y305086	ADJUSTABLE LEG & NUT (S/P)
51	33002652	TIMER, MAH4000 (S/P)

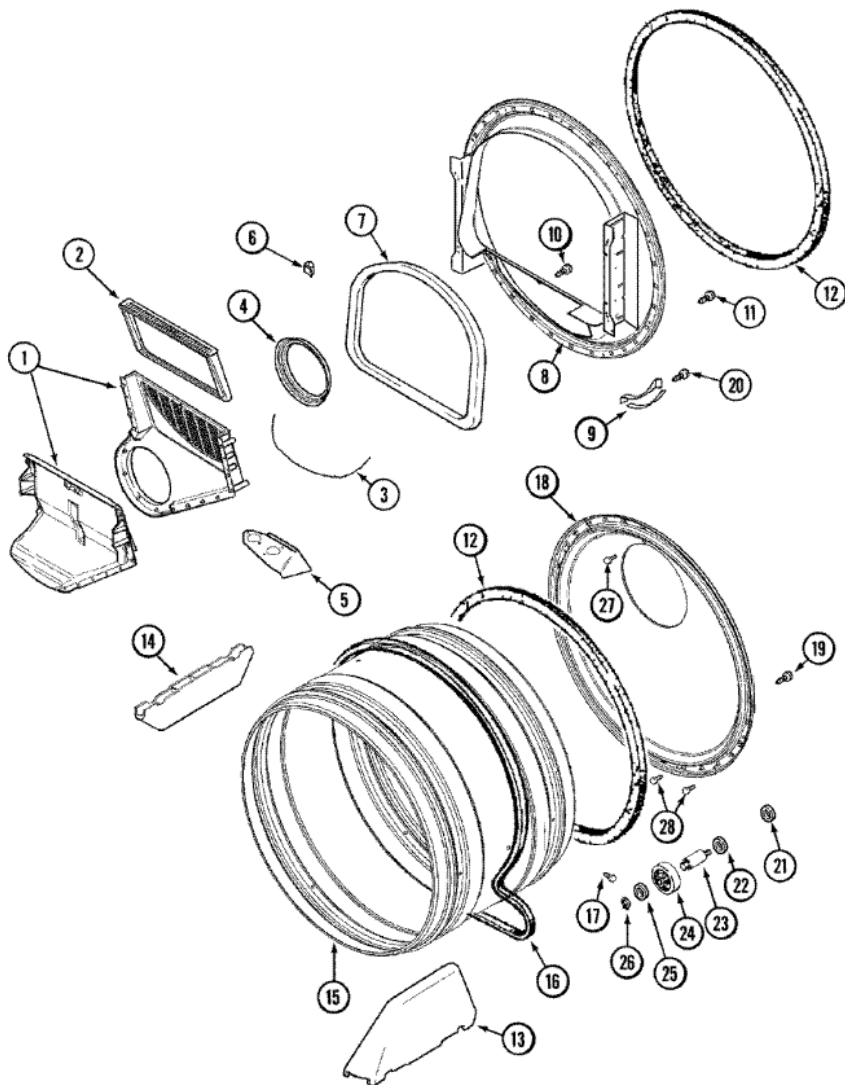
Distribuidor Autorizado

**SurteRápido.com**

Venta de Refacciones  
Electrodomesticas



## MDG21PNAWW TAMBOR





## MDG21PNAWW TAMBOR

1	33001799	OUTLET DUCT ASSEMBLY
2	33002790	FILTER, LINT
3	33001775	<b>DESCONTINUADO</b>
4	33002560	SEAL, BLOWER (S/P)
5	33001837	COVER, THERMOSTAT (ELEC ONLY) (S/P)
6	Y310376	CLIP, WIRE HARNESS (S/P)
7	33001767	SEAL, SHROUD (S/P)
8	33001802	FRONT, TUMBLER (W/SEAL)
9	306508	TUMBLER BEARING KIT
10	312311	<b>DESCONTINUADO</b>
11	33001855	SCREW (HEX HEAD) (S/P)
12	33001807	SEAL, TUMBLER
13	33002032	BAFFLE (TALL)
14	33001755	BAFFLE (SHORT)
15	31001889	TUMBLER (S/P)
16	33002535	BELT, TUMBLER
17	33001788	SCREW, BAFFLE (S/P)
18	33001801	BACK, TUMBLER (W/SEAL) (S/P)
19	33002190	SCREW (No.10-3/8``) (S/P)
20	210720	RIVET (S/P)
21	33001443	NUT, HEX (ROLLER SHAFT) (S/P)
22	312535	WASHER, SPRING (ROLLER SHAFT) (S/P)
23	Y312948	SHAFT, TUMBLER ROLLER (S/P)
24	12001541	BEARING & ROLLER ASSEMBLY
25	312535	WASHER, ROLLER SHAFT (S/P)
26	410233	RING, RETAINING (S/P)
27	210932	SCREW, No.8 X 9/16 CTSK (S/P)
28	22001996	SCREW (S/P)