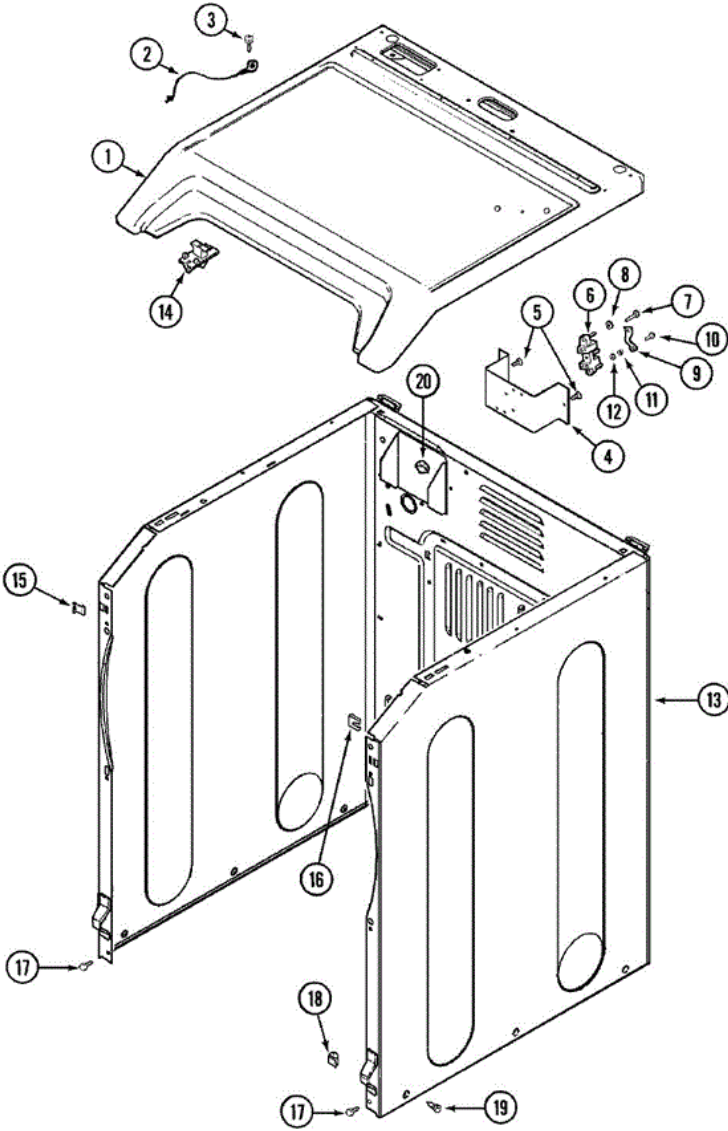


**MDG3000AWW CABINET FRONT**

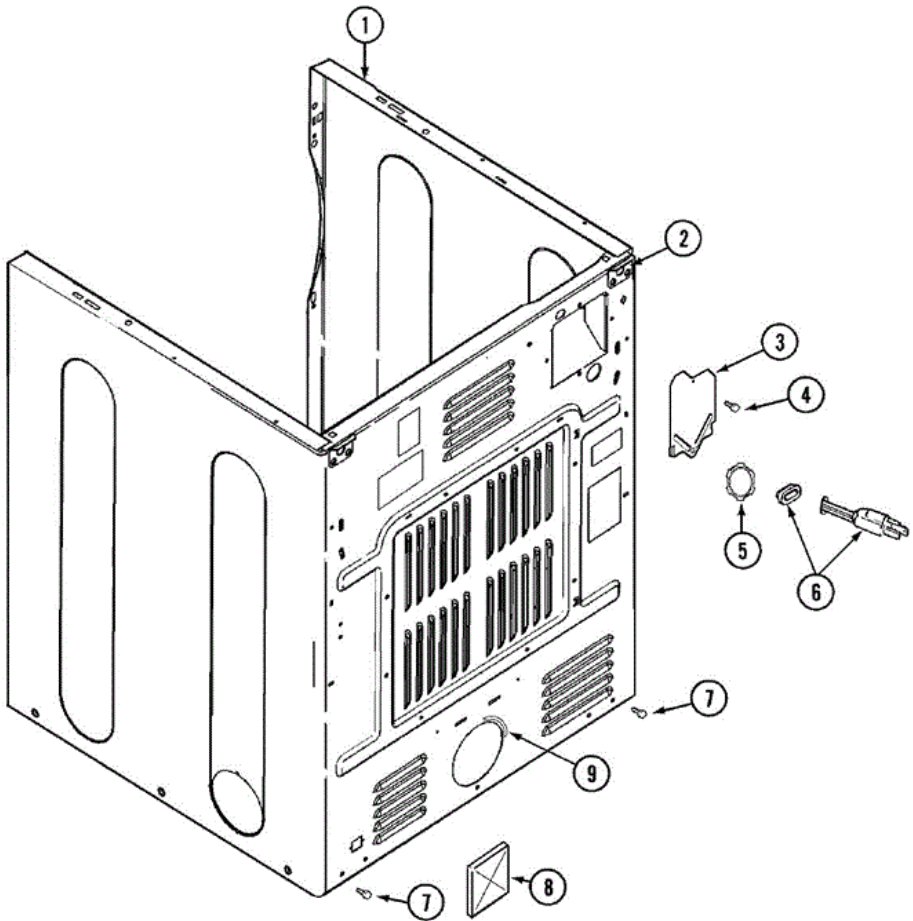




## MDG3000AWW CABINET FRONT

1	33001865	10	COVER, TOP (WHT)
2	33001859	10	WIRE, GROUND
3	210186	10	SCREW, GROUND WIRE TO BASE--NA
4	33001826	10	BRACKET, TERMINAL BLOCK----NA
5	22001995	10	SCREW
6	33001244	10	BLOCK, TERMINAL
7	Y312209	10	SCREW, NO.10-24 X 3/4 INCH
8	Y311270	10	WASHER, TERMINAL BLOCK
9	Y312184	10	STRAP, GROUND
10	33001245	10	SCREW----NA
11	311484	10	NUT, TERMINAL BLOCK
12	311093	10	WASHER, 7/32 INCH
13	33001843	10	CABINET (WHT)
14	33001872	10	PIN, LOCATOR
15	22002049	10	CLIP
16	213280	10	FRONT PANEL BRACKET/FASTENER
17	22001995	10	SCREW
18	Y310376	10	CLIP, WIRE HARNESS
19	213007	10	SCREW, CABINET
20	Y310376	10	CLIP, WIRE HARNESS

**MDG3000AWW CABINET REAR**

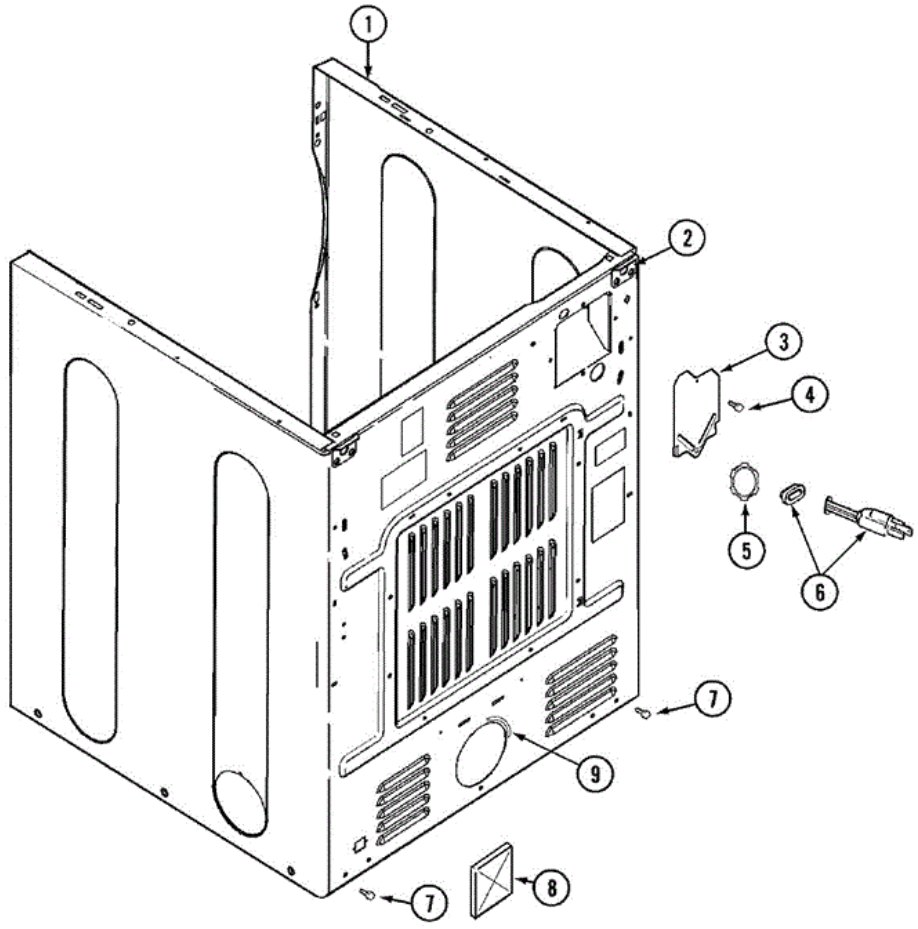




**MDG3000AWW CABINET REAR**

1	33001843	10	CABINET (WHT)
1	33002118	10	LABEL, SAFETY
1	33002119	10	LABEL, SAFETY
2	33001827	10	BRACKET, CABINET HINGE
3	33001795	10	COVER, TERMINAL BLOCK
4	22001995	10	SCREW
5	211881	10	GROMMET, CORD
6	33001246	10	CORD, POWER
7	22001995	10	SCREW
8	33001702	10	FLAP, PIPE
9	33002283	10	GUARD, EXHAUST DUCT

**MDG3000AWW CABINET REAR  
 (MDG3000AXQ/AWQ)**

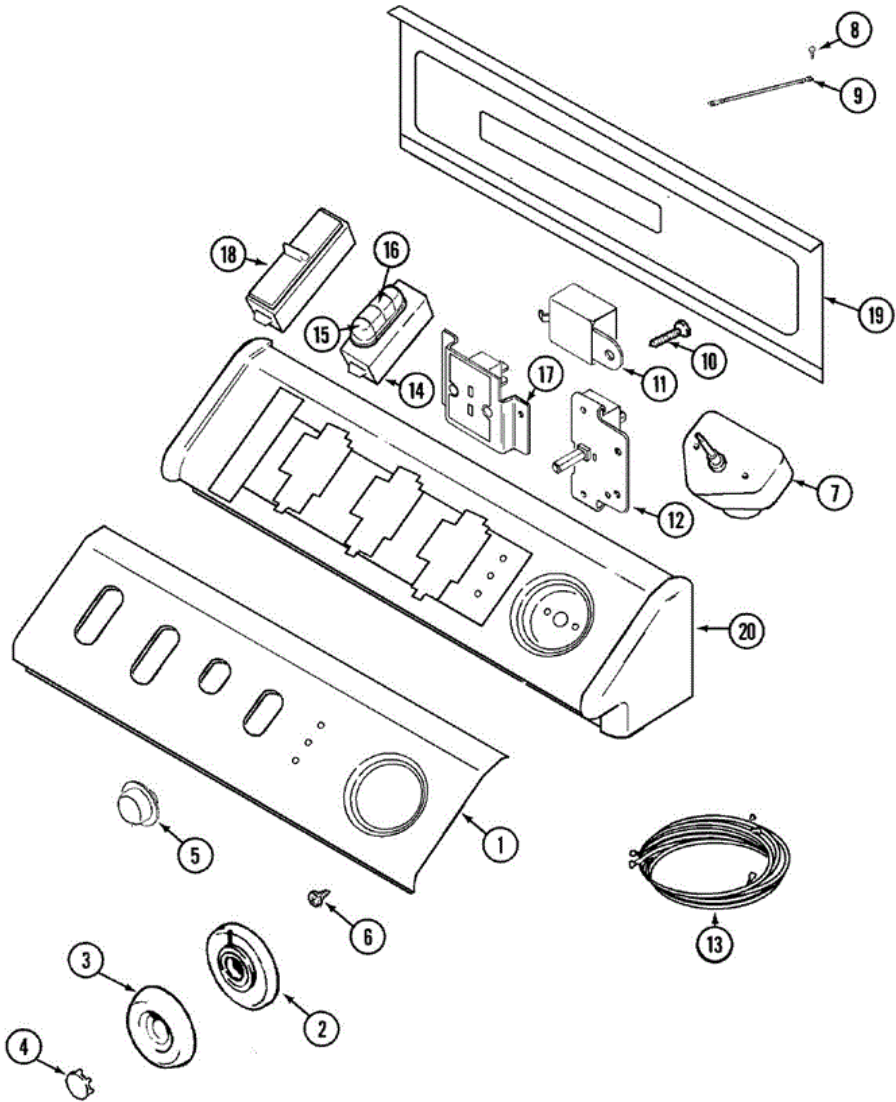




**MDG3000AWW CABINET REAR  
(MDG3000AXQ/AWQ)**

1	33002119	10	LABEL, SAFETY
1	33002373	10	CABINET (BSQ)
2	33001827	10	BRACKET, CABINET HINGE
3	33001795	10	COVER, TERMINAL BLOCK
4	22001995	10	SCREW
5	211881	10	GROMMET, CORD
6	33001246	10	CORD, POWER
7	22001995	10	SCREW
8	33001702	10	FLAP, PIPE
9	33002283	10	GUARD, EXHAUST DUCT

**MDG3000AWW CONTROL PANEL**



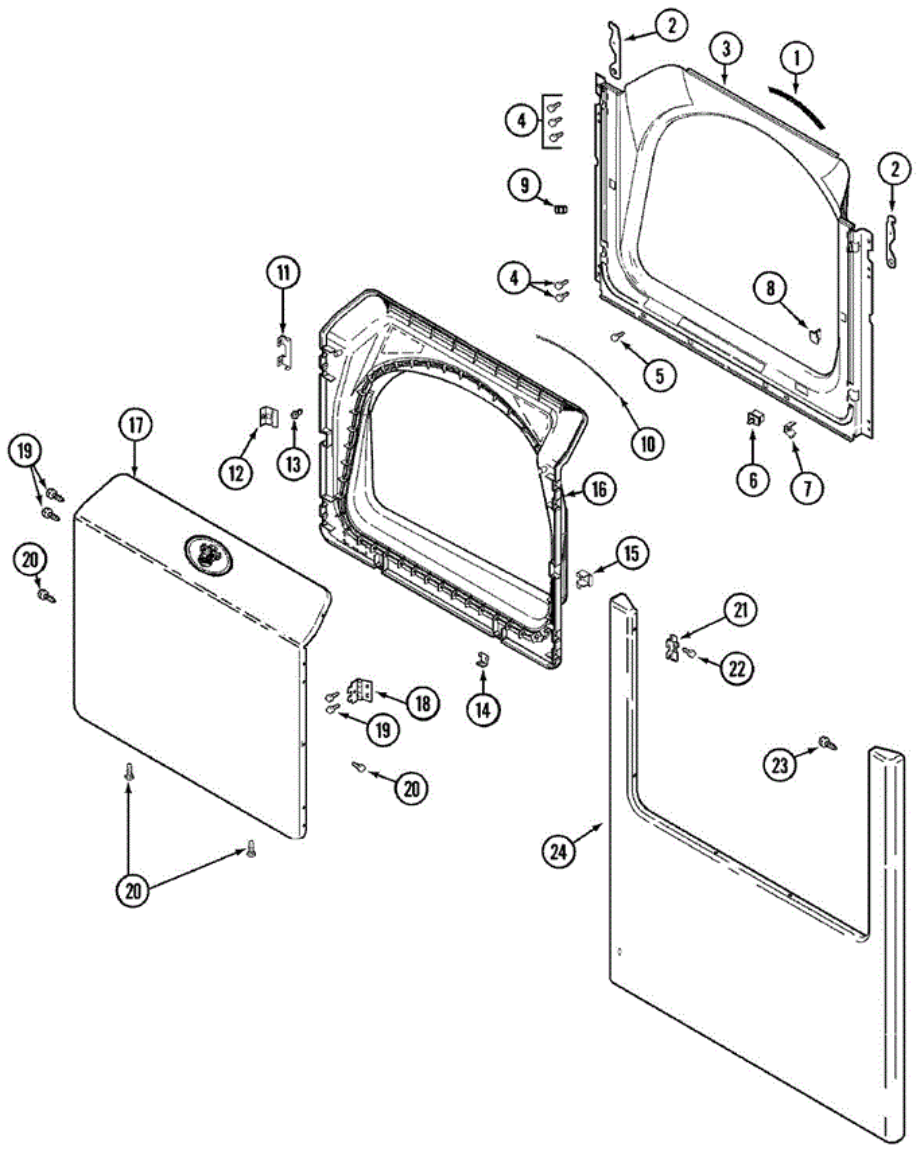


## MDG3000AWW CONTROL PANEL

1	33001857	10	PANEL, CONTROL (WHT)
1	Y22002339	10	SCREW
2	33001621	10	SKIRT, TIMER DIAL (WHT)
3	22001659	10	TIMER KNOB - GREY
4	22001664	10	TIMER KNOB INSERT/CAP (WHT)
5	33001619	10	BUTTON, PUSH TO START (WHT)
6	33001690	10	SCREW, TIMER
7	33001730	10	TIMER
8	210186	10	SCREW, GROUND WIRE TO BASE--NA
9	33001859	10	WIRE, GROUND
10	33001860	10	SCREW, END OF CYCLE----NA
11	33001660	10	SIGNAL, END OF CYCLE
11	33001848	11	SIGNAL, END OF CYCLE (CHIME)
12	33001861	10	SWITCH, PUSH TO START (WHT)
13	33001864	10	WIRE HARNESS, MAIN
13	33001887	11	WIRE HARNESS, MAIN
14	22001908	10	SWITCH, OPTION (4 POS.-WHT)
15	22001788	10	BUTTON, SWITCH (WHT-END)
16	22001789	10	BUTTON, SWITCH (WHT-MDL)
17	33001661	10	DISPLAY, DRYNESS (WHT)
18	33001657	10	SWITCH, TEMPERATURE (GAS)
19	216423	10	SCREW
19	33001806	10	BACK, CONSOLE PANEL
20	22002285	10	CONSOLE (WHT)



**MDG3000AWW DOOR**





## MDG3000AWW DOOR

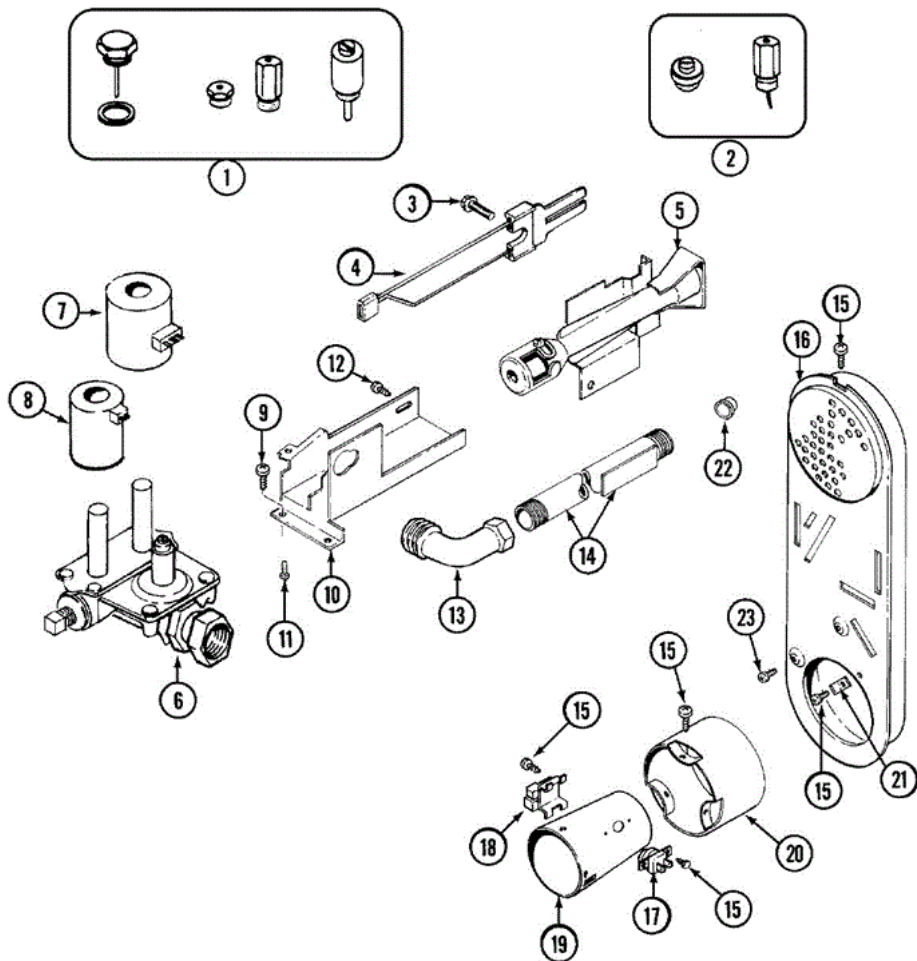
1	33001767	10	SEAL, SHROUD
2	22002033	10	HOOK, SECURITY
3	33001778	10	SHROUD (WHT)
3	33002116	10	LABEL, SAFTEY
4	22001995	10	SCREW
5	33001768	10	SCREW, SHROUD
6	33001508	10	SWITCH, DOOR
7	33001760	10	BRACKET, HINGE
8	33001174	10	PLUG, DOOR CATCH
9	33001791	10	CATCH, DOOR (W/PLUG)
9	Y304578	10	CATCH, DOOR (FEMALE)
10	33002094	10	SEAL, DOOR
11	22002038	10	CLIP, DOOR (DOUBLE)
12	33001793	10	BRACKET, STRIKE
13	33001761	10	STRIKE, DOOR (MALE)
14	22002039	10	CLIP, DOOR (SINGLE)
15	33001763	10	PLUG, INNER DOOR
16	33001750	10	DOOR, INNER/ W SEAL (WHT)
17	22001817	10	SHEET, SOUND DAMPER (FT. PNL)
17	22002260	10	PANEL, DOOR (WHT-W/MEDALLION)
17	33001893	10	LABEL, OPEN DOOR (DRYER)
18	33001759	10	HINGE, DOOR
19	22002062	10	SCREW
20	22002063	10	SCREW NO.8-18AB WAFER HD
21	33001764	10	COVER, HINGE HOLE (WHT)
22	33001787	10	SCREW, HINGE
23	22002012	10	SCREW, HINGE
24	22002241	10	PANEL, FRONT (WHT)
24	33001221	10	PAD, SOUND DAMPER
24	33001867	10	PAD, FRONT

Distribuidor Autorizado

SurteRápido.com

Venta de Refacciones  
Electrodomesticas

## MDG3000AWW GAS VALVE





## MDG3000AWW GAS VALVE

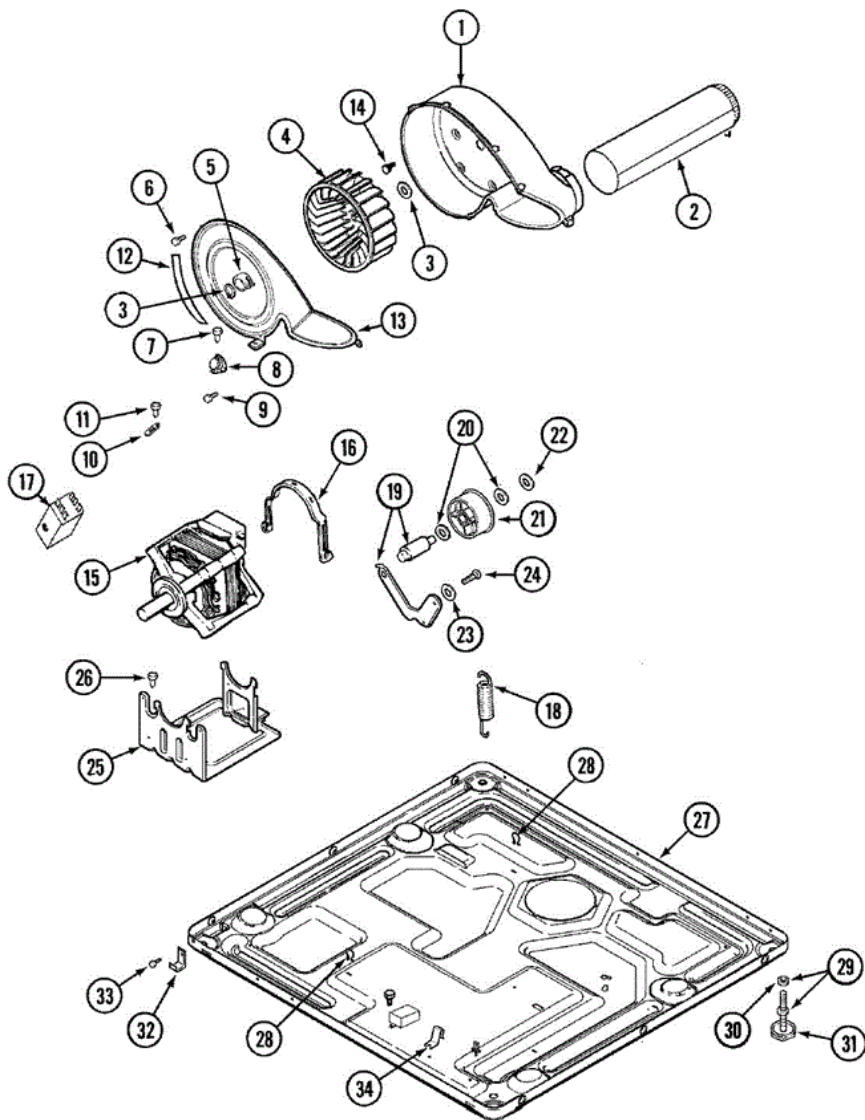
1	Y306195	10	CONVERSION KIT (NATURAL TO LP)
2	306204	10	CONVERSION KIT (LP TO NATURAL)
3	304971	10	SCREW
4	304970	10	IGNITER ASSY, GAS VALVE
5	33001247	10	BURNER ASSY.
6	306176	10	VALVE, GAS
7	306106	10	COIL, HOLDING & BOOSTER
8	306105	10	COIL, SECONDARY
9	Y313561	10	SCREW----NA
10	33001834	10	BRACKET, GAS VALVE----NA
11	314082	10	SCREW
11	314568	10	SCREW-GAS VALVE TO BRACKET
12	Y310632	10	SCREW
13	33001842	10	CONNECTOR, ANGLE
14	33001735	10	PIPE & BRACKET ASSY.
15	211294	10	SCREW
16	33001810	10	DUCT ASSY., INLET (GAS)
17	303395	10	THERMOSTAT, HI-LIMIT (GAS)
18	Y303377	10	SENSOR, RADIANT
19	22001996	10	SCREW
19	33001835	10	CONE ASSY., COMBUSTION
20	Y303841	10	CONE, EXTENSION (COMBUSTION)
21	22001996	10	SCREW
21	Y312890	10	RETAINER, HEATER CHAMBER
22	33001693	10	CAP, GAS PIPE
23	22001996	10	SCREW

Distribuidor Autorizado

SurteRápido.com

Venta de Refacciones  
Electrodomesticas

## MDG3000AWW MOTOR





## MDG3000AWW MOTOR

1	33001789	10	HOUSING, BLOWER
2	22001995	10	SCREW
2	33001800	10	DUCT ASSY., EXHAUST
3	410233	10	RING, RETAINING
4	33001790	10	WHEEL, BLOWER
5	312967	10	CLAMP, BLOWER HOUSING
6	33001855	10	SCREW (HEX HEAD)
7	Y313561	10	SCREW----NA
8	306910	10	THERMOSTAT, MULTI TEMP (GAS)
9	22001996	10	SCREW
10	33001762	10	FUSE, THERMAL (W' BRACKET)
11	314848	10	SCREW
12	33001772	10	SEAL, BLOWER COVER
13	33001873	10	COVER, BLOWER HOUSING----NA
14	314818	10	SCREW
15	33001853	10	MOTOR (W/PULLEY)
15	33002237	13	MOTOR (W/PULLEY)
15	33002478	28	MOTOR
16	Y015825	10	CLIP, MOTOR
17	33001854	10	SWITCH, MOTOR
18	33001754	10	SPRING, IDLER
18	33002157	10	GROMMET
19	33001840	10	IDLER ARM & SHAFT ASSY.
20	Y312527	10	WASHER, IDLER SHAFT (QTY-1)
21	33001783	10	BEARING, IDLER ASSEMBLY
22	312958	10	RETAINING RING, IDLER SHAFT
23	315772	10	SLEEVE, IDLER ARM
24	Y014874	10	SCREW
25	33001752	10	SUPPORT, MOTOR
26	Y313561	10	SCREW----NA
27	33001845	10	BASE
28	410490	10	SPRING, WIRE HARNESS
29	Y305086	10	ADJUSTABLE LEG & NUT

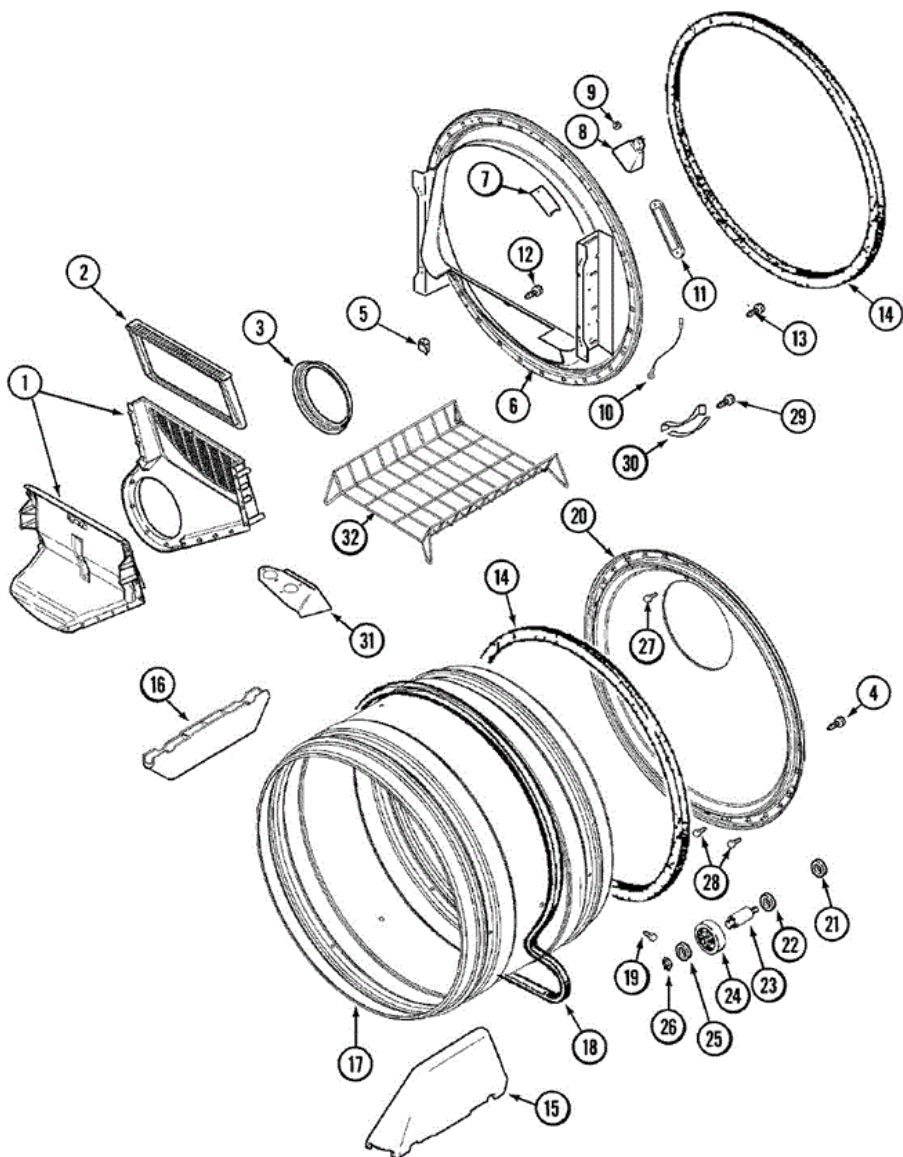
30	Y052740	10	NUT
31	Y314137	10	FOOT, RUBBER
32	22002239	10	CLIP, LOWER FRONT PANEL
33	Y310632	10	SCREW
34	22002244	10	CLIP, GROUNDING

Distribuidor Autorizado

SurteRápido.com

Venta de Refacciones  
Electrodomesticas

## MDG3000AWW TUMBLER







## MDG3000AWW TUMBLER

1	33001799	10	OUTLET DUCT ASSEMBLY
2	33001808	10	FILTER, LINT
3	33001758	10	SEAL, BLOWER
4	33002190	10	SCREW (NO.10-3/8``)
5	Y310376	10	CLIP, WIRE HARNESS
6	33001868	10	FRONT, TUMBLER FRONT W/SENSOR
7	33001869	10	LENS, DRUM LIGHT
7	33001871	10	SCREW
8	22002263	10	LAMP (10 WATT)
8	33001870	10	HOLDER, LAMP (W/HOUSING)
9	214872	10	PALNUT, END CAP
10	211294	10	SCREW
10	Y303711	10	SENSOR GROUND WIRE
11	22001078	10	SCREW
11	33001809	10	SENSOR BAR ASSY.
12	312311	10	SCREW----NA
13	33001855	10	SCREW (HEX HEAD)
14	33001807	10	SEAL, TUMBLER
15	33001756	10	BAFFLE (TALL)
16	33001755	10	BAFFLE (SHORT)
17	33001889	10	TUMBLER
18	33001777	10	BELT, TUMBLER
19	33001788	10	SCREW, BAFFLE
20	33001801	10	BACK, TUMBLER (W/SEAL)
21	33001443	10	NUT, HEX (ROLLER SHAFT)
22	Y313347	10	WASHER, SPRING (ROLLER SHAFT)
23	Y312948	10	SHAFT, TUMBLER ROLLER
24	Y303373	10	BEARING & ROLLER ASSEMBLY
25	312535	10	WASHER, ROLLER SHAFT
26	410233	10	RING, RETAINING
27	210932	10	SCREW, NO.8 X 9/16 CTSK
28	22001996	10	SCREW
29	210720	10	RIVET

30	306508	10	TUMBLER BEARING KIT
32	33001917	10	RACK, DRYING