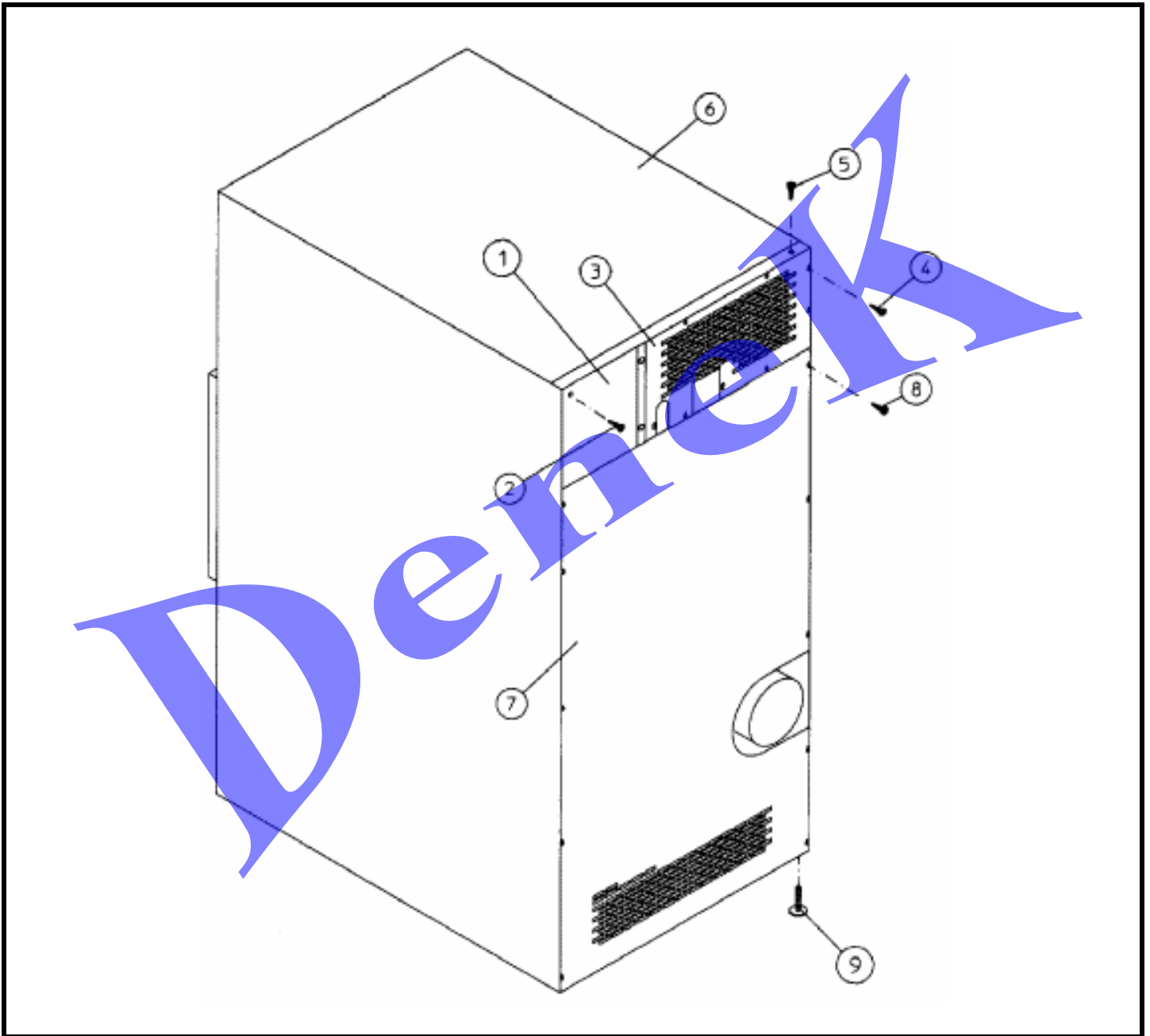


MAYTAG MDG30PC2A*

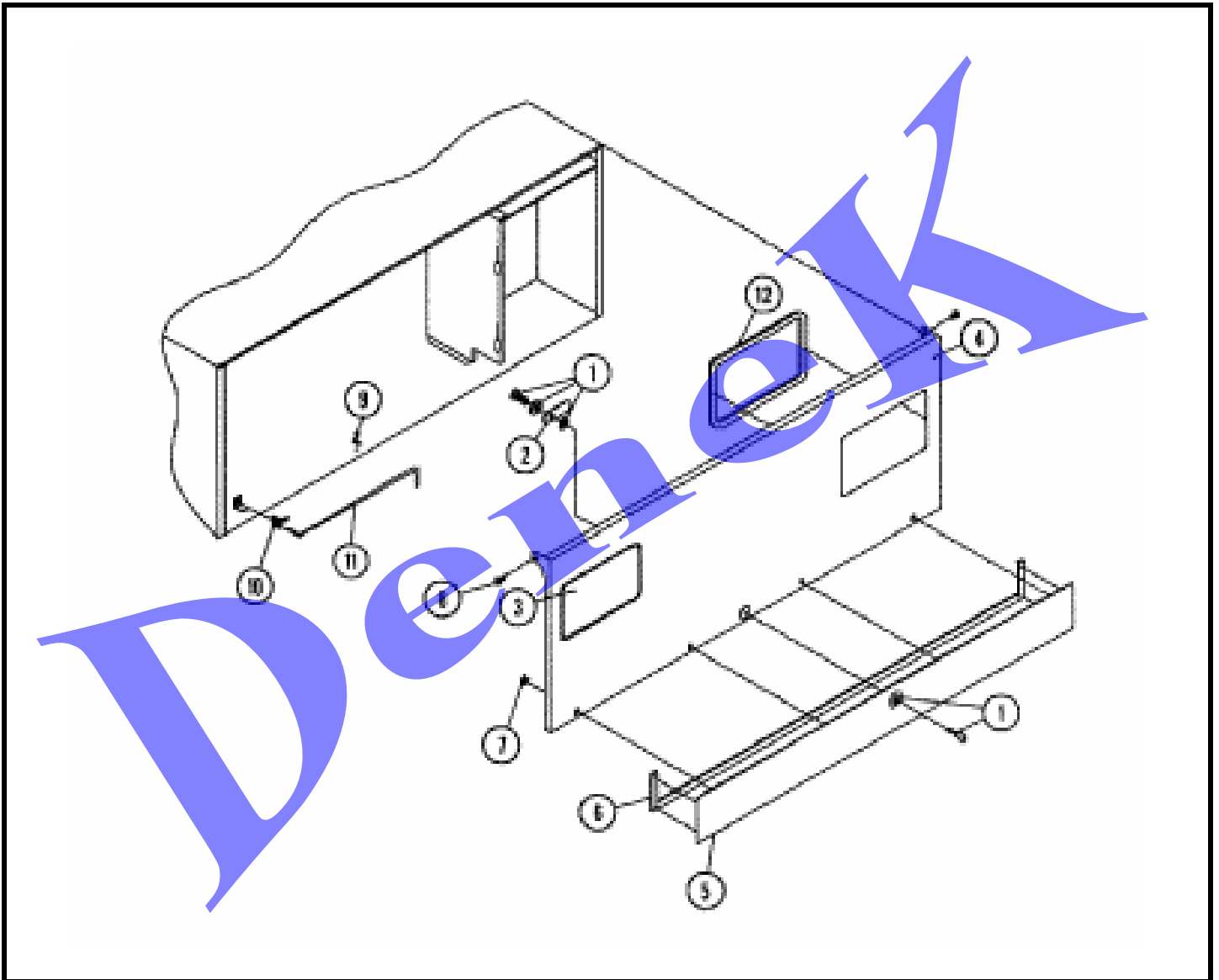
CABINET



0	-----	NOT REQUIRED PART OR SEE NOTE
1	A322809	COVER, ELECTRICAL BOX (REAR)
2	A150301	SCREW, TEK (#8-18 X 7/16 PH
3	A314411	TOP, BACKGUARD
4	A150301	SCREW, TEK (#8-18 X 7/16 PH
5	A150301	SCREW, TEK (#8-18 X 7/16 PH
6	A312535	GUARD, TOP (OUTER)
7	A314412	BOTTOM, (BACKGUARD)
8	A150301	SCREW, TEK (#8-18 X 7/16 PH
9	A103500	LEG, LEVELING (ADJUSTABLE)

MAYTAG MDG30PC2A*

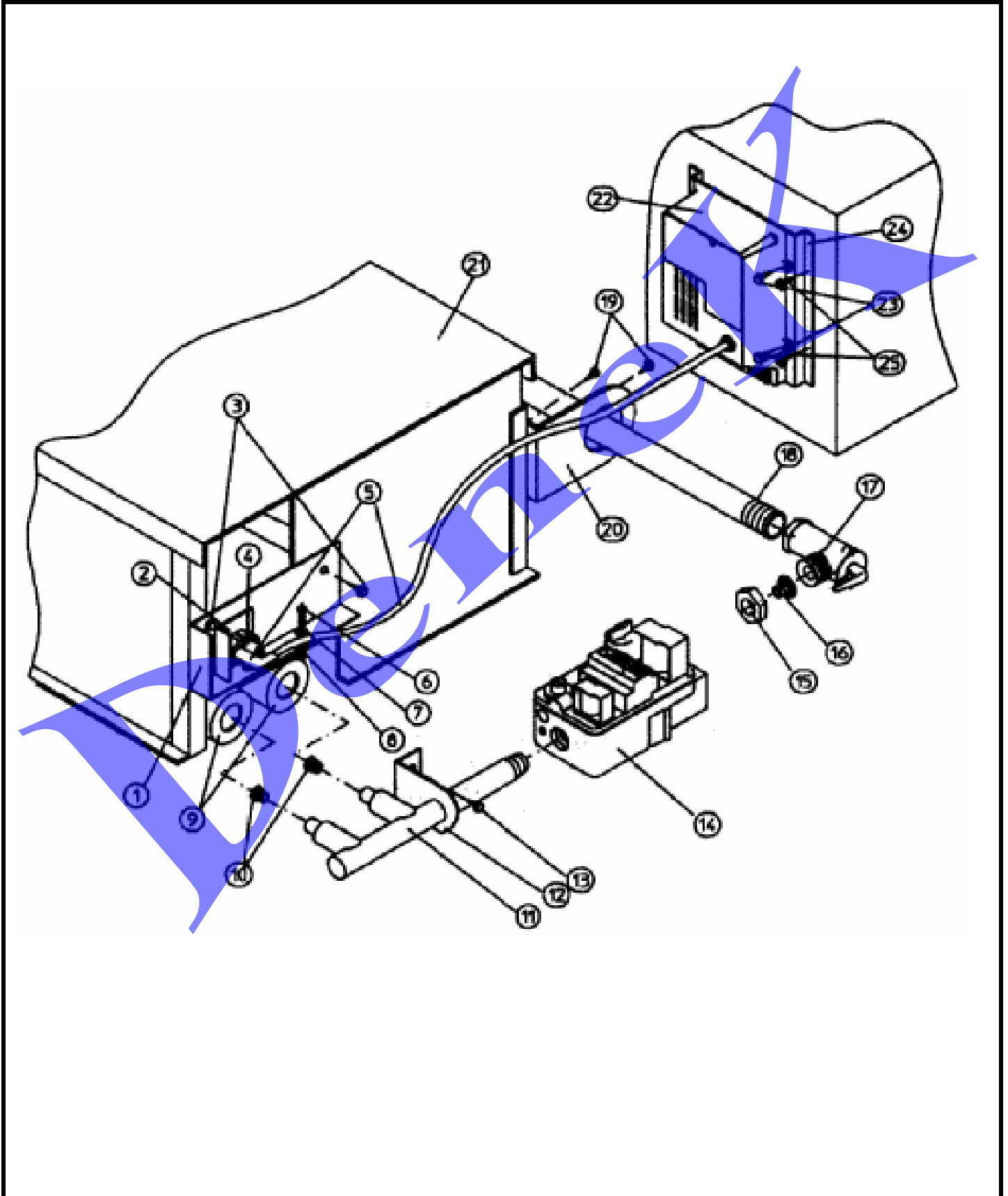
CONTROL DOOR ASSY



- | | | |
|----|---------|--------------------------------|
| 1 | A160140 | KEY ONLY, HI SEC LOCK (XX4451) |
| 1 | A160039 | LOCK, LINT DOOR (XX4451) |
| 2 | A160016 | CAM, LOCK |
| 3 | A112343 | LOGO, MAYTAG (ONLY) |
| 3 | A870011 | TAPE KIT (DOUBLE SIDED) |
| 4 | A883429 | WHT CONTROL DOOR W/ BLK TRIM |
| 4 | A883428 | BSQ CONTROL DOOR W/ BLK TRIM |
| 5 | A883430 | 31-3/8" BLACK TRIM ONLY |
| 6 | A117604 | TAPE, FOAM (SOLD IN FEET) |
| 7 | A152014 | NUT, FREE SPIN WASH (#20-1/4) |
| 8 | A150317 | 3/4" TORX SCREW |
| 9 | A102603 | CATCH, ROD SUPPORT-CTRL. DOOR |
| 10 | A102603 | CATCH, ROD SUPPORT-CTRL. DOOR |
| 11 | A102502 | ROD, SUPPORT (CONTROL DOOR) |
| 12 | A117604 | TAPE, FOAM (SOLD IN FEET) |

MAYTAG MDG30PC2A*

DSI & BURNER ASSEMBLY



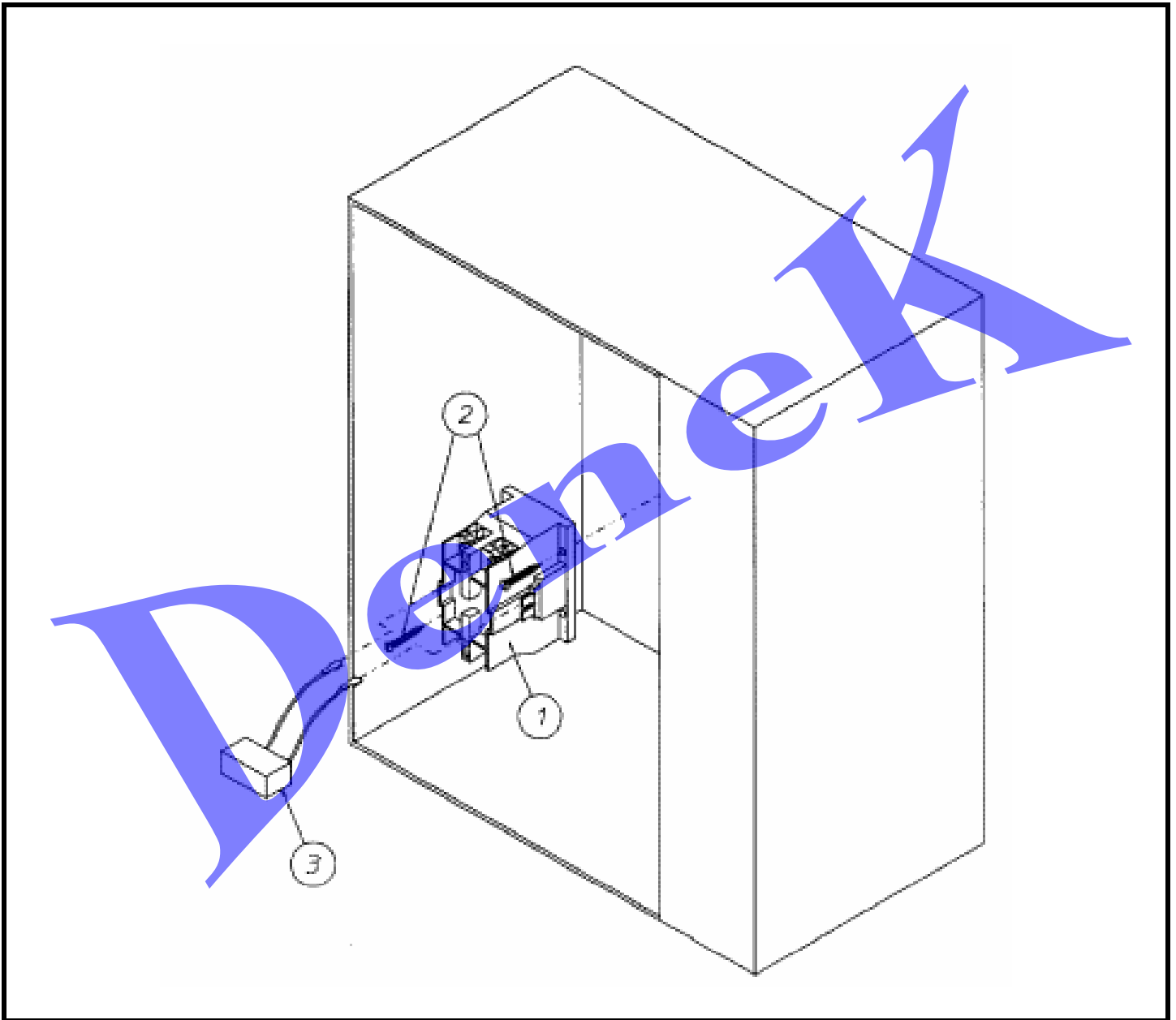
MAYTAG MDG30PC2A*

DSI & BURNER ASSEMBLY

0	-----	NOT REQUIRED PART OR SEE NOTE
1	A318030	SHIELD, DSI BURNER
2	A150300	SCREW (#10-32 X 1/2" PH ROUND
3	A150415	SCREW, CRIMPTITE (PH. RD.HD.)
4	A880134	IGNITER/FLAME PROBE KIT ASSY.
4	A128915	DSI IGNITER & FLAME PROBE ONLY
5	A880330	CONNECTOR, IGNITOR HV WIRE
6	A150103	SCREW, MACHINE (#8-32 X 3/4"
7	A153000	STEEL BURR (#8)
8	A151001	NUT, PAL (#8-32)
9	A141105	BURNER, TUBE (LARGE)
10	A140819	BURNER ORIFICE (NAT)
10	A140806	BURNER ORIFICE (LP)
11	A141230	1/2" DSI MANIFOLD (2 PORT)
12	A318700	BRACKET, PIPE (BENT)
13	A150300	SCREW (#10-32 X 1/2" PH ROUND
14	A140411	CONVERSION KIT, GAS VALVE
14	A128927	VALVE, REDUNDANT (1/2" 24VAC)
15	A141325	COLLAR, TAIL PIECE
16	A141303	TAIL PIECE, 1/2" UNION
17	A141305	SHUT-OFF, UNION
18	A142809	PIPE (1/2" X 29 1/8")
18	A142800	PIPE, 1/2 " X 18" B.I.
18	A142707	NIPPLE (1/2" X 1-1/2")
18	A142600	UNION (1/2")
18	A142500	1/2" X 90 DEGREE ELBOW
19	A150415	SCREW, CRIMPTITE (PH. RD.HD.)
20	A318700	BRACKET, PIPE (BENT)
21	A850851	BURNER BOX ASSEMBLY
21	A850861	HEAT RECLAIMER BURNER BOX ONLY
21	A809632	BURNER ASSY. COMPLETE (LP)
21	A809631	BURNER ASSY. COMPLETE
22	A880815	MODULE, DSI
23	A150299	SCREW, TEK (#10 X 1")
24	A319505	BRACKET, DSI MODULE
25	A874050	L.P. CONVERSION KIT
25	A410001	WRENCH, ALLEN (1/2")

MAYTAG MDG30PC2A*

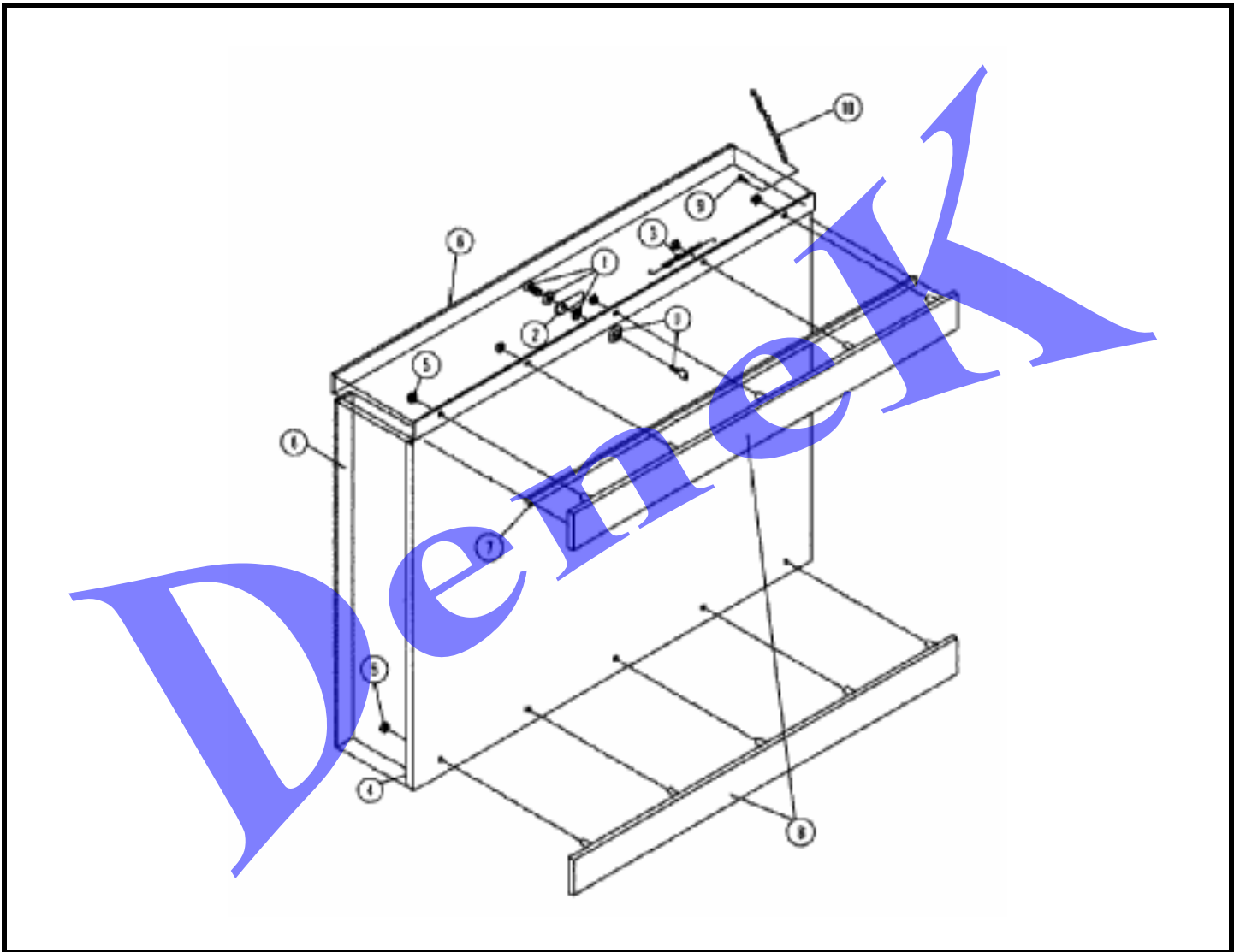
ELECTRICAL RELAY PANEL ASSEMBLY



0	-----	NOT REQUIRED PART OR SEE NOTE
1	A132451	CONTACTOR, TWO POLE
2	A150299	SCREW, TEK (#10 X 1")
3	A150301	SCREW, TEK (#8-18 X 7/16 PH
3	A322809	COVER, ELECTRICAL BOX (REAR)
3	A824828	RC NETWORK W/CONNECTOR

MAYTAG MDG30PC2A*

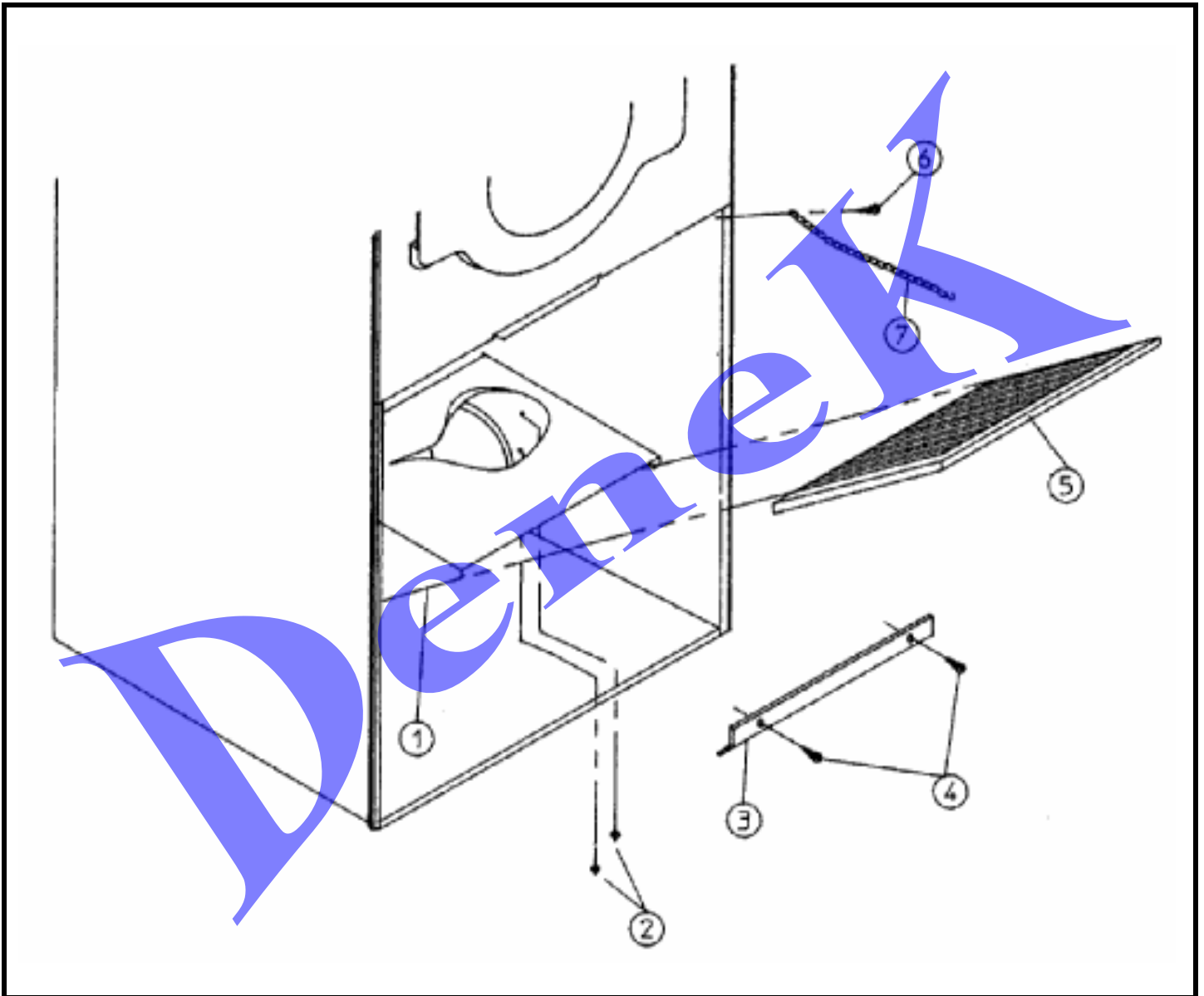
LINT DOOR ASSY



- | | | |
|----|---------|--------------------------------|
| 1 | A160039 | LOCK, LINT DOOR (XX4451) |
| 1 | A160140 | KEY ONLY, HI SEC LOCK (XX4451) |
| 2 | A160016 | CAM, LOCK |
| 3 | A157000 | DROP LINT DOOR SPRING |
| 4 | A883425 | BSQ DROP LINT DOOR W/ BLK TRIM |
| 4 | A883426 | WHT DROP LINT DOOR W/ BLK TRIM |
| 5 | A152014 | NUT, FREE SPIN WASH (#20-1/4) |
| 6 | A117604 | TAPE, FOAM (SOLD IN FEET) |
| 7 | A117603 | TAPE, SUPPRESSOR |
| 8 | A883427 | 31-3/8" BLACK TRIM ONLY |
| 9 | A150418 | TOOL, HAND DRIVER |
| 9 | A150419 | SCREW, TEK (#6 X 1/2") |
| 10 | A108120 | CHAIN, LINT DOOR (10 1/2") |

MAYTAG MDG30PC2A*

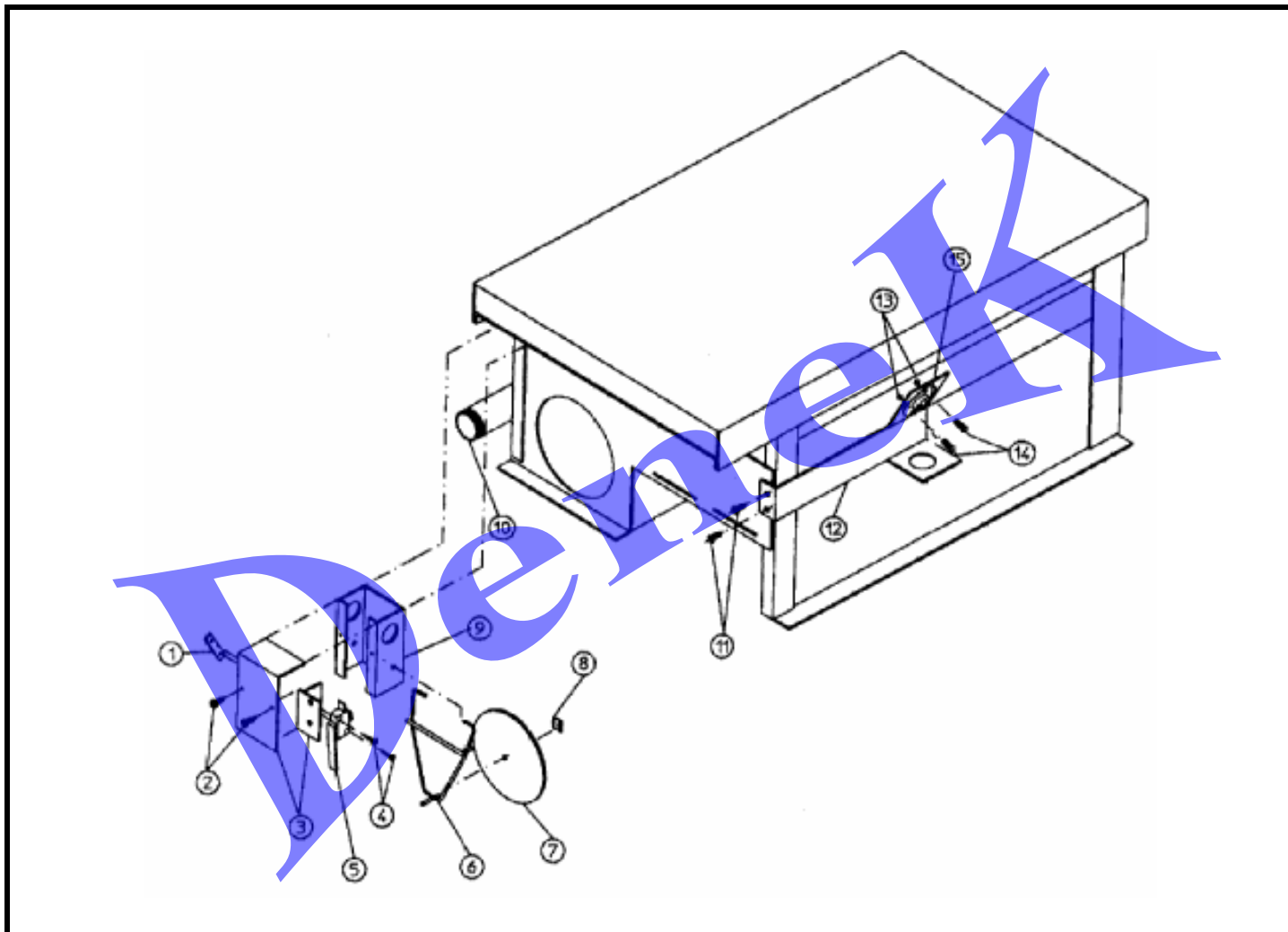
LINT TRAP ASSEMBLY



0	-----	NOT REQUIRED PART OR SEE NOTE
1	A800408	LINT TRAP ASSY. COMPLETE
1	A800409	LINT TRAP ONLY
2	A154200	POP RIVET (5/32")
3	A304102	LINT SCREEN HOLDER
4	A150300	SCREW (#10-32 X 1/2" PH ROUND
5	A800503	LINT SCREEN
6	A150419	SCREW, TEK (#6 X 1/2")
7	A150418	TOOL, HAND DRIVER
7	A108120	CHAIN, LINT DOOR (10 1/2")

MAYTAG MDG30PC2A*

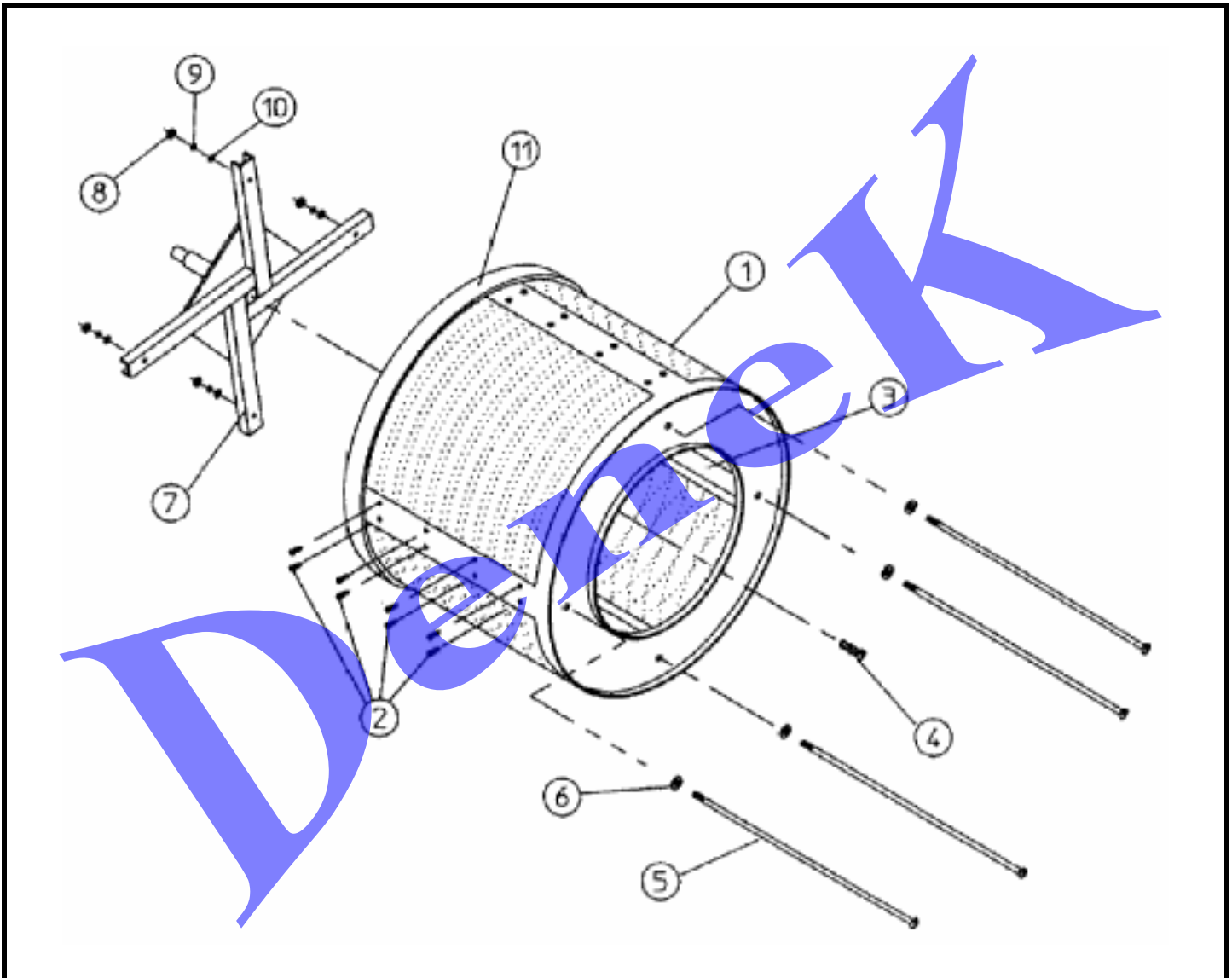
SAIL SWITCH/HI-LIMIT ASSEMBLY



0	-----	NOT REQUIRED PART OR SEE NOTE
1	A154004	NUT, TWIN SPEED
2	A150415	SCREW, CRIMPTITE (PH. RD.HD.)
3	A802799	COVER, SAIL SWITCH BOX W/BRKT.
4	A150303	SCREW (#4 X 3/4")
5	A122200	SWITCH, SAIL
6	A105500	ROD, SAIL SWITCH ACTUATOR
7	A319202	DAMPER, SAIL SWITCH (FLAT)
8	A154002	FASTENER, PUSH-ON (1/8")
9	A802801	BOX, SAIL SWITCH ASSY
9	A802800	BOX, SAIL SWITCH (ONLY)
10	A142809	PIPE (1/2" X 29 1/8")
11	A150415	SCREW, CRIMPTITE (PH. RD.HD.)
12	A319704	BRACKET, HI-LIMIT MOUNTING
13	A151000	PAL NUT (#6-32)
14	A151001	NUT, PAL (#8-32)
15	A130201	HI-LIMIT
15	A130401	HI-LIMIT (330 DEG.)

MAYTAG MDG30PC2A*

TUMBLER & SUPPORT ASSEMBLY



0	-----	NOT REQUIRED PART OR SEE NOTE
1	A800703	TUMBLER W/O FELT COLLAR
1	A800803	TUMBLER & SUPPORT ASSY
2	A150415	SCREW, CRIMPTITE (PH. RD.HD.)
3	A301304	RIB, TUMBLER
4	A150518	SCREW, SOCKET HEAD
5	A100902	ROD, TIE (#18-5/16" X 31")
6	A153001	WASHER, FLAT (5/16")
7	A800603	SUPPORT, TUMBLER
8	A152004	NUT, HEX (#18-5/16)
9	A153002	WASHER, LOCK (5/16")
10	A153001	WASHER, FLAT (5/16")
11	A116002	COLLAR, FELT
11	A401010	ADHESIVE, FELT COLLAR #847