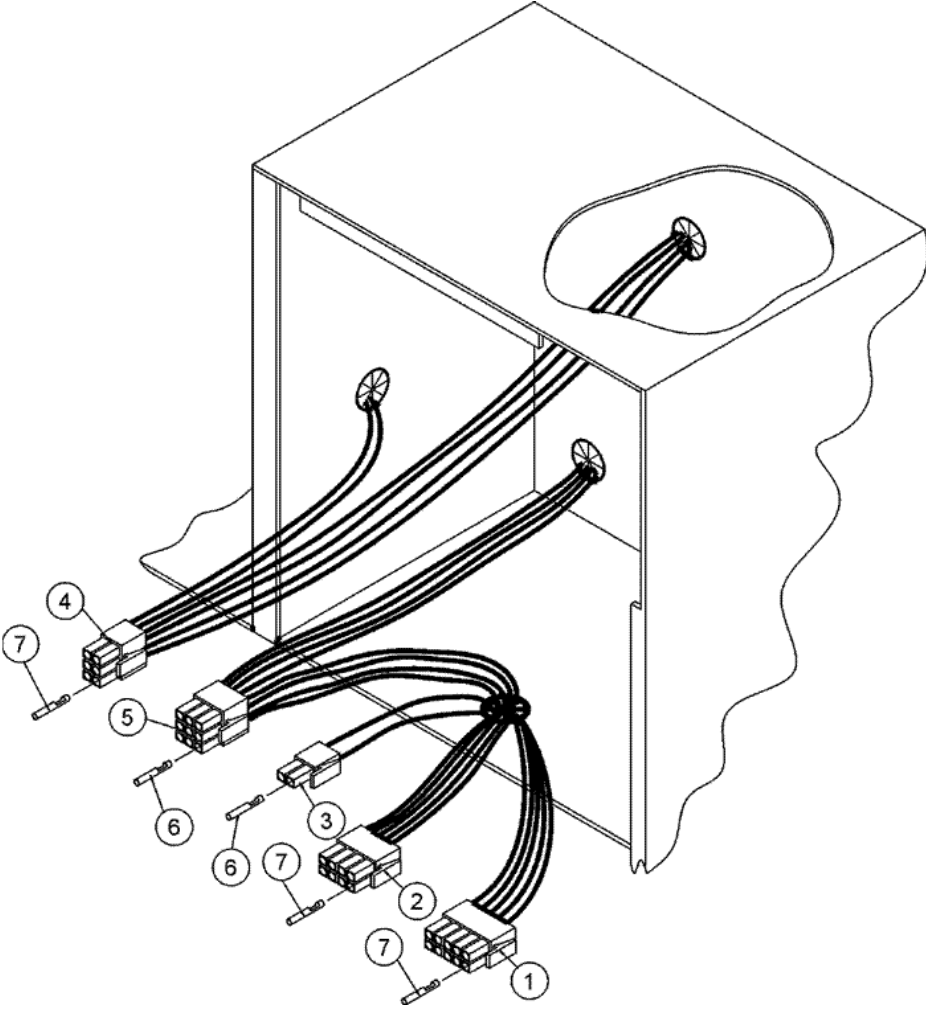


**MDG30PNHWW CONTROL BOX**

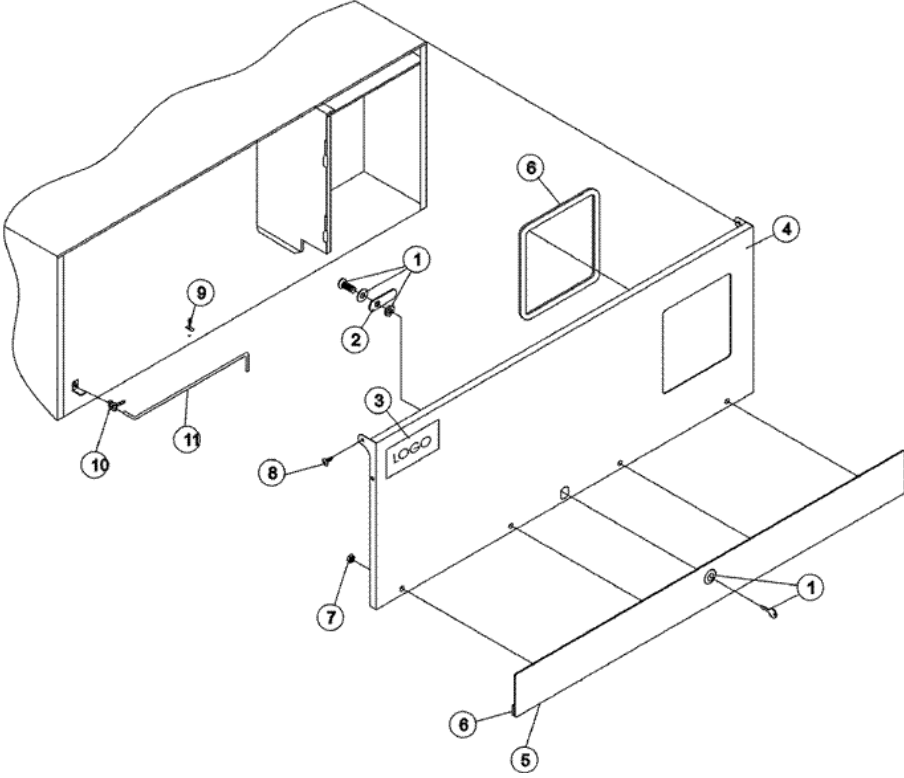




## MDG30PNHWW CONTROL BOX

1	A122681	CONNECTOR, 10 PIN <b>DESCONTINUADO</b>
2	A122676	CONNECTOR, 8 PIN <b>DESCONTINUADO</b>
3	A122646	CONNECTOR, 2 PIN <b>DESCONTINUADO</b>
4	A122683	CONNECTOR, 6 PIN <b>DESCONTINUADO</b>
5	A122640	CONNECTOR, 9 PIN <b>DESCONTINUADO</b>
6	A122706	SOCKETS <b>DESCONTINUADO</b>
7	A122669	TERMINAL, FEMALE CRIMP <b>DESCONTINUADO</b>

**MDG30PNHWW CONTROL DOOR**

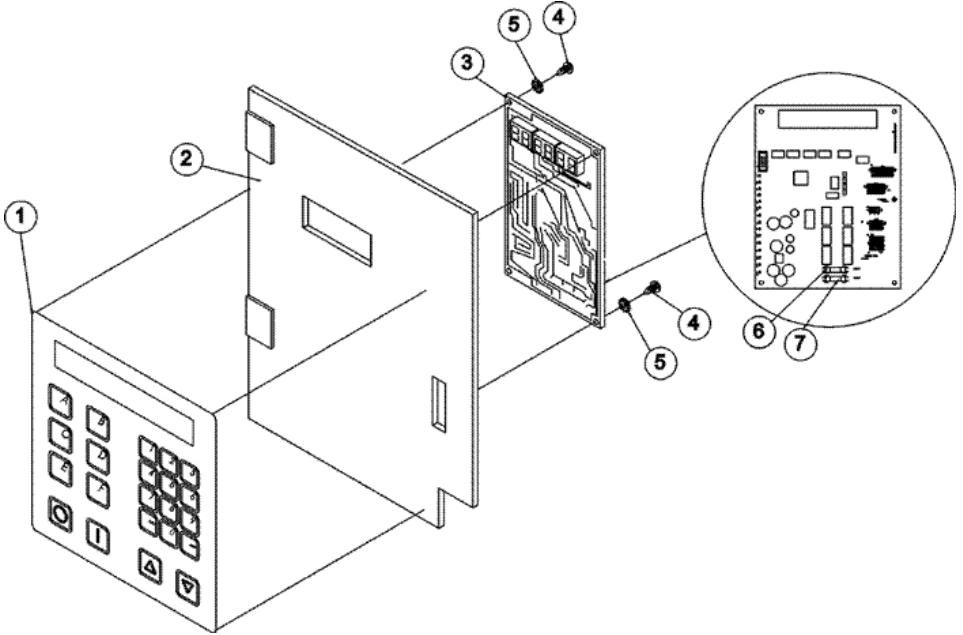




## MDG30PNHWW CONTROL DOOR

1	A160017	LOCK, SPECIAL DUMMY <b>DESCONTINUADO</b>
2	A160016	CAM, LOCK <b>DESCONTINUADO</b>
3	A112353	LOGO <b>DESCONTINUADO</b>
4	A883714	CONTROL DOOR WHT <b>DESCONTINUADO</b>
5	A883476	STRIP, TRIM BLK <b>DESCONTINUADO</b>
6	A117604	TAPE, FOAM (SOLD IN FEET) <b>DESCONTINUADO</b>
7	A152014	NUT, FREE SPIN WASH (No.20-1/4) <b>DESCONTINUADO</b>
8	A150314	TORX & BIN HD MACHINE SCREW <b>DESCONTINUADO</b>
9	A102603	CATCH, ROD SUPPORT-CTRL. <b>DESCONTINUADO</b>
10	A102601	CLIP, ROD RETAINER-CTRL. <b>DESCONTINUADO</b>
11	A102502	ROD, SUPPORT (CONTROL DOOR) <b>DESCONTINUADO</b>

# MDG30PNHWW CONTROL PANEL

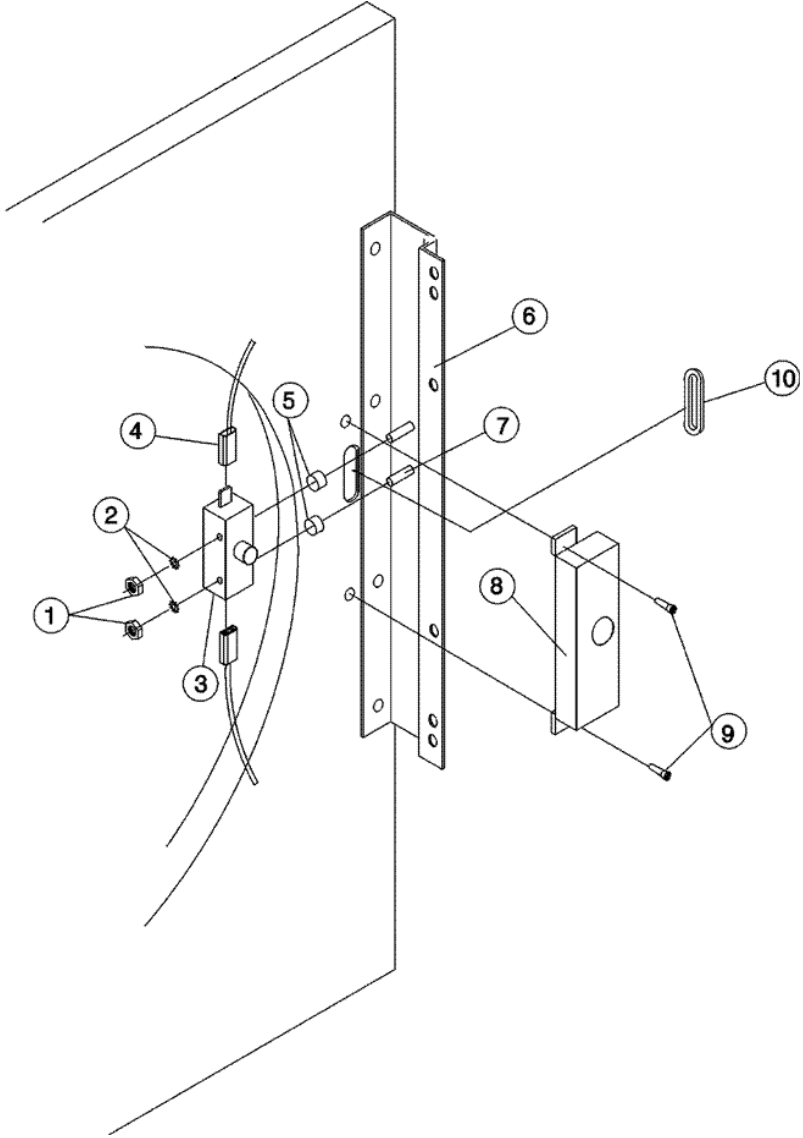




## MDG30PNHWW CONTROL PANEL

1	A112571	KEYBOARD, PHASE 7 OPL <b>DESCONTINUADO</b>
1	A112577	KEYBOARD, PHASE 7 OPL <b>DESCONTINUADO</b>
2	A883748	CONTROL PANEL, COMPLETE <b>DESCONTINUADO</b>
2	A850984	PANEL, MICROPRO PHASE 7 <b>DESCONTINUADO</b>
3	A137243	MICROPROCESSOR, PHASE 7 <b>DESCONTINUADO</b>
3	A883745	MICROPROCESSOR, PHASE 7 <b>DESCONTINUADO</b>
4	A150005	SCREW, PHILL (6-32 X 1/4``)RND <b>DESCONTINUADO</b>
5	A153010	WASHER, STAR (No.6) <b>DESCONTINUADO</b>
6	A136016	FUSE, 5 AMP <b>DESCONTINUADO</b>
7	A136097	FUSE, 500MA FUSE <b>DESCONTINUADO</b>

**MDG30PNHWW DOOR SWITCH**



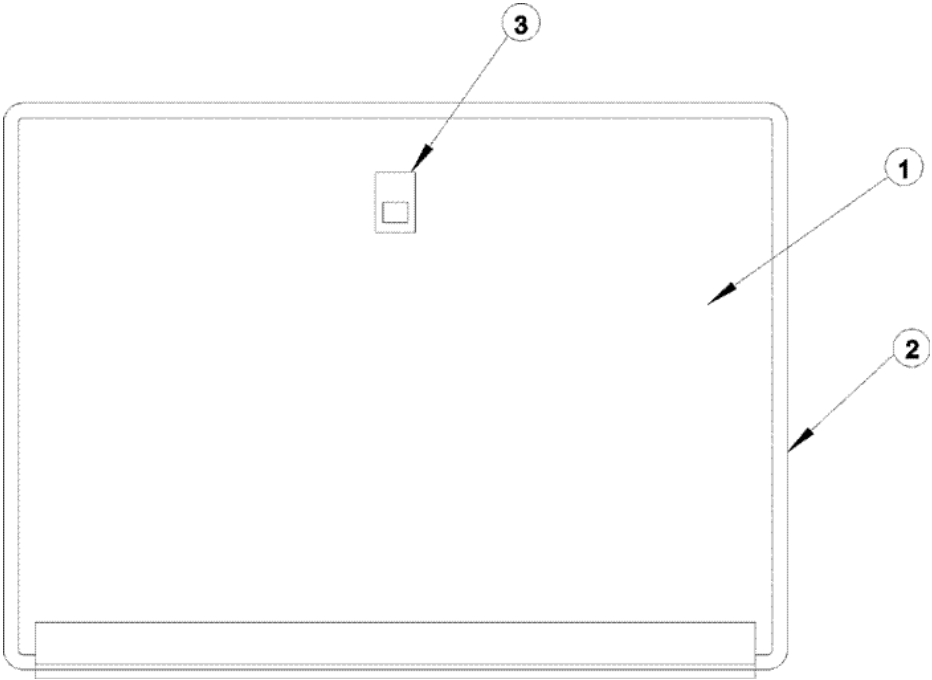


## MDG30PNHWW DOOR SWITCH

1	A152013	NUT, HEX (No.6-32) <b>DESCONTINUADO</b>
2	A153008	WASHER, SPLIT LOCK (No.6) <b>DESCONTINUADO</b>
3	A137005	SWITCH, DOOR (SINGLE POLE) <b>DESCONTINUADO</b>
4	A121028	TERMINAL, 1/4`` INSUL. (FEMALE) <b>DESCONTINUADO</b>
5	A154281	SPACER, NYLON (3/8``) <b>DESCONTINUADO</b>
6	A801524	BLACK DOOR HINGE <b>DESCONTINUADO</b>
7	A153576	SELF-CLINCHING STUD No.6 32X1 <b>DESCONTINUADO</b>
8	A881246	HOUSING, DOOR SWITCH <b>DESCONTINUADO</b>
9	A150201	SCREW, MACHINE <b>DESCONTINUADO</b>
10	A121405	GROMMET, RUBBER <b>DESCONTINUADO</b>



**MDG30PNHWW DROP LINT DOOR**

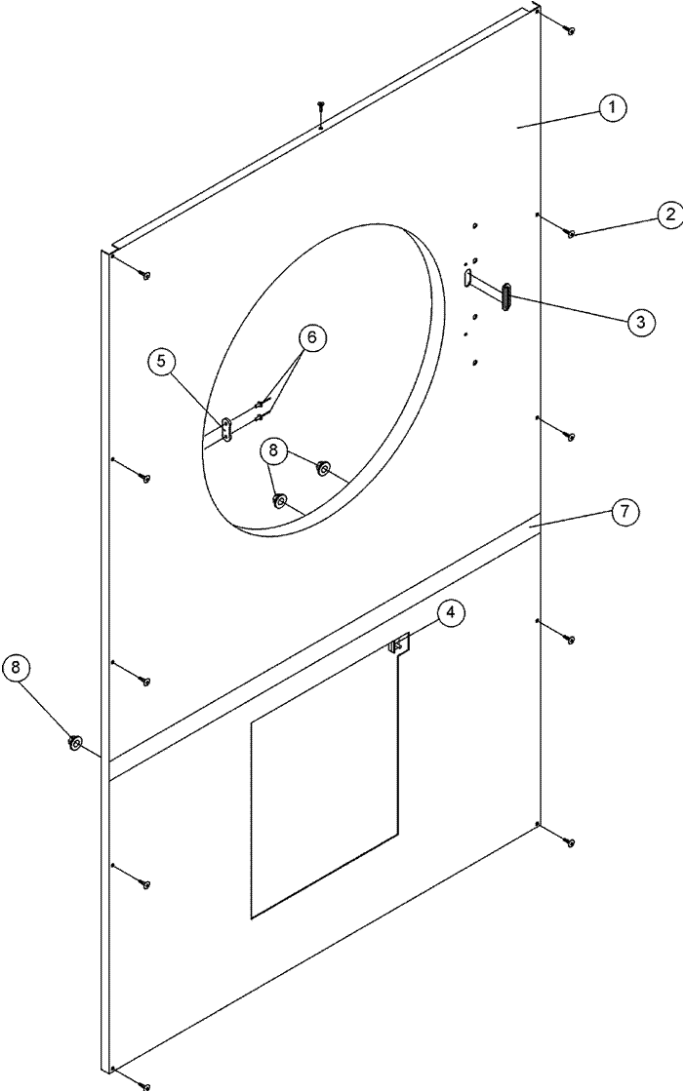




## MDG30PNHWW DROP LINT DOOR

1	A802277	DOOR, DROP LINT(COMPLETE) <b>DESCONTINUADO</b>
2	A117604	TAPE, FOAM (SOLD IN FEET) <b>DESCONTINUADO</b>
3	A170226	LATCH, SIDE <b>DESCONTINUADO</b>

**MDG30PNHWW FRONT PANEL**





## MDG30PNHWW FRONT PANEL

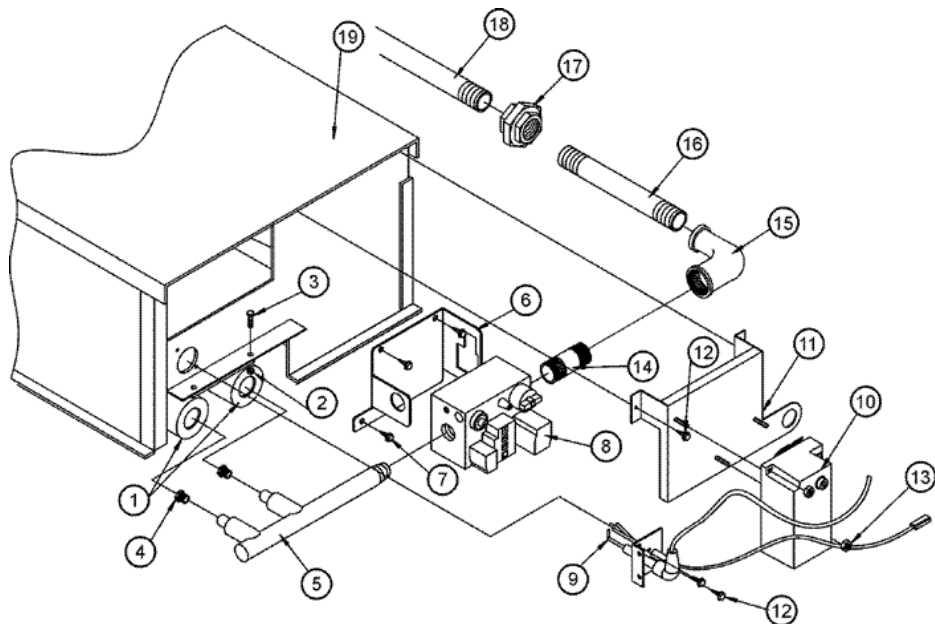
1	A883484	PANEL, FRONT WHT <b>DESCONTINUADO</b>
2	A150313	SCREW <b>DESCONTINUADO</b>
3	A121405	GROMMET, RUBBER <b>DESCONTINUADO</b>
4	A122002	SWITCH, LINT DRAWER <b>DESCONTINUADO</b>
5	A170330	LATCH, DOOR (FRICTION) <b>DESCONTINUADO</b>
6	A154215	RIVET, POP (5/32``) <b>DESCONTINUADO</b>
7	A883715	TRIM, FRONT PANEL BLK <b>DESCONTINUADO</b>
8	A152014	NUT, FREE SPIN WASH (No.20-1/4) <b>DESCONTINUADO</b>

Distribuidor Autorizado

**SurteRápido.com**

Venta de Refacciones  
Electrodomesticas

## MDG30PNHWW GAS BURNER

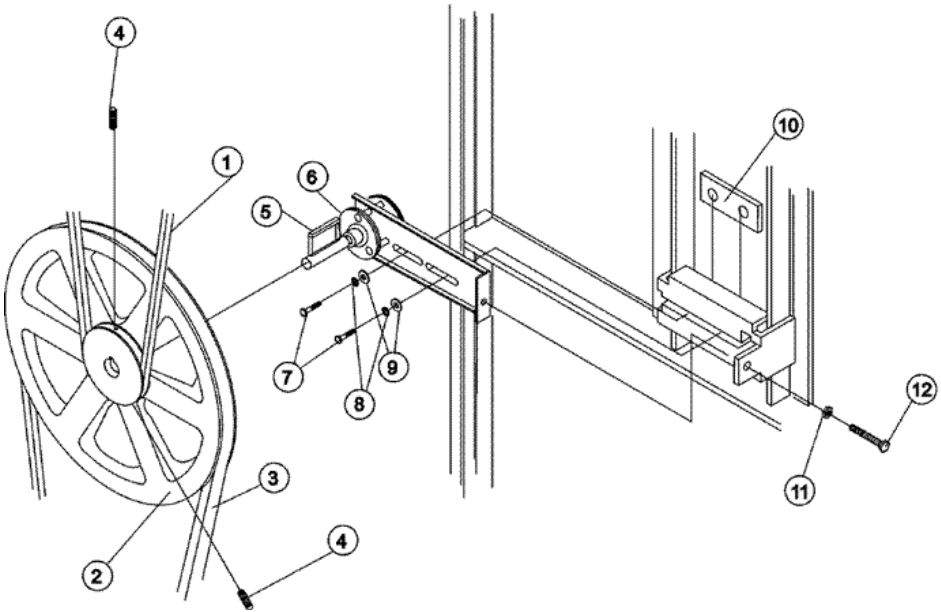




## MDG30PNHWW GAS BURNER

1	A141105	BURNER, TUBE (LARGE) <b>DESCONTINUADO</b>
2	A151001	NUT, PAL (No.8-32) <b>DESCONTINUADO</b>
3	A150108	SCREW, MACHINE <b>DESCONTINUADO</b>
4	A140806	BURNER ORIFICE (LP) <b>DESCONTINUADO</b>
4	A140820	ORIFICE, BURNER (NAT) <b>DESCONTINUADO</b>
5	A141230	1/2`` DSI MANIFOLD (2 PORT) <b>DESCONTINUADO</b>
6	A318714	BRACKET, GAS VALVE <b>DESCONTINUADO</b>
7	A150309	SCREW, CRIMPTITE <b>DESCONTINUADO</b>
8	A880960	VALVE, GAS 1/2`` 24 VAC, (LP) <b>DESCONTINUADO</b>
8	A128927	VALVE, REDUNDANT (1/2`` 24VAC) <b>DESCONTINUADO</b>
9	A809307	IGNITOR-PROBE <b>DESCONTINUADO</b>
10	A801048	MODULE, DIRECT SPARK ING <b>DESCONTINUADO</b>
11	A810030	BRACKET, MODULE MTG (DSI) <b>DESCONTINUADO</b>
12	A150300	SCREW (No.10-32 X 1/2`` PH <b>DESCONTINUADO</b>
13	A152013	NUT, HEX (No.6-32) <b>DESCONTINUADO</b>
14	A142700	1/2`` CLOSE NIPPLE <b>DESCONTINUADO</b>
15	A142500	1/2`` X 90 DEGREE ELBOW <b>DESCONTINUADO</b>
16	A142800	PIPE, 1/2`` X 18`` B.I. <b>DESCONTINUADO</b>
17	A142600	UNION (1/2``) <b>DESCONTINUADO</b>
18	A142818	NIPPLE, B.I. <b>DESCONTINUADO</b>
19	A883321	CONVERION KIT (NAT TO LP) <b>DESCONTINUADO</b>
19	A817061	BURNER BOX COMPLETE (LP) <b>DESCONTINUADO</b>
19	A817060	BURNER BOX COMPLETE (NAT) <b>DESCONTINUADO</b>
19	A850858	BURNER BOX ONLY <b>DESCONTINUADO</b>

**MDG30PNHWW IDLER BEARING**



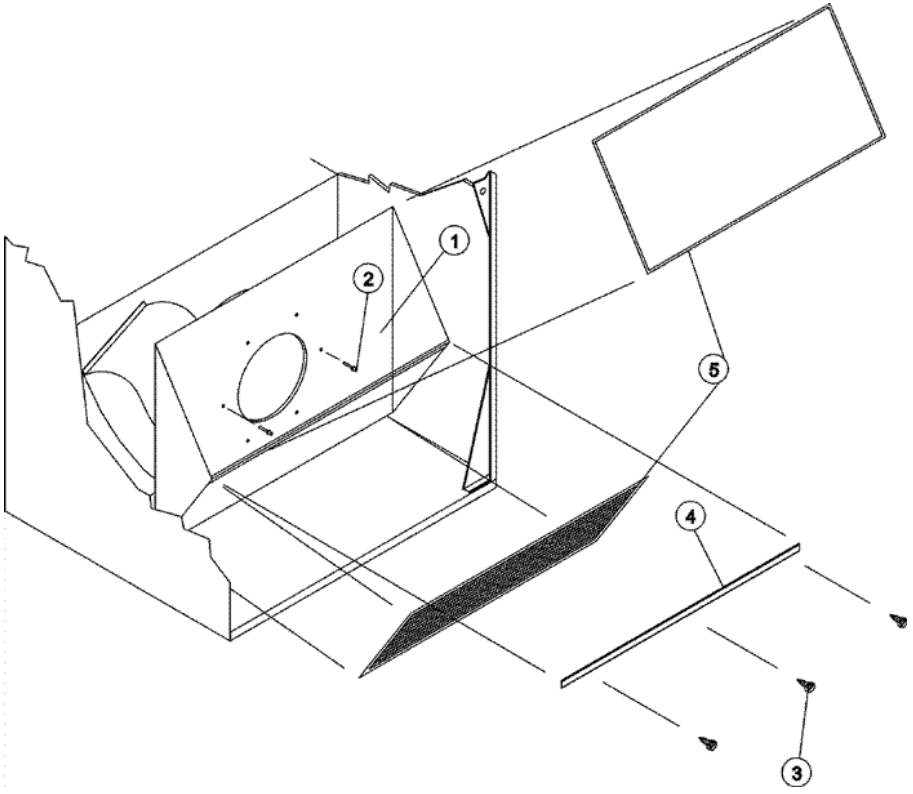


## MDG30PNHWW IDLER BEARING

1	A100100	V-BELT <b>DESCONTINUADO</b>
2	A101129	PULLEY W/KEY(9`` X 2 1/2``) <b>DESCONTINUADO</b>
3	A100105	V-BELT <b>DESCONTINUADO</b>
4	A154301	SCREW, ALLEN (No.18-5/16 X 5/16) <b>DESCONTINUADO</b>
5	A100705	KEY (3/16`` X 3/16`` X 1-3/8``) <b>DESCONTINUADO</b>
6	A882576	BEARING, IDLER COMPLETE <b>DESCONTINUADO</b>
7	A150617	BOLT, MACHINE (No.16-3/8 X 1``) <b>DESCONTINUADO</b>
8	A153005	WASHER, LOCK (3/8``) <b>DESCONTINUADO</b>
9	A153004	WASHER, FLAT (3/8``) <b>DESCONTINUADO</b>
10	A801009	WASHER, IDLER (SQ) <b>DESCONTINUADO</b>
11	8182933	NUT, HEX (No.18-5/16) <b>(S/P)</b>
12	A150509	BOLT, MACHINE (5/16-18 X 3``) <b>DESCONTINUADO</b>



**MDG30PNHWW LINT TRAP**

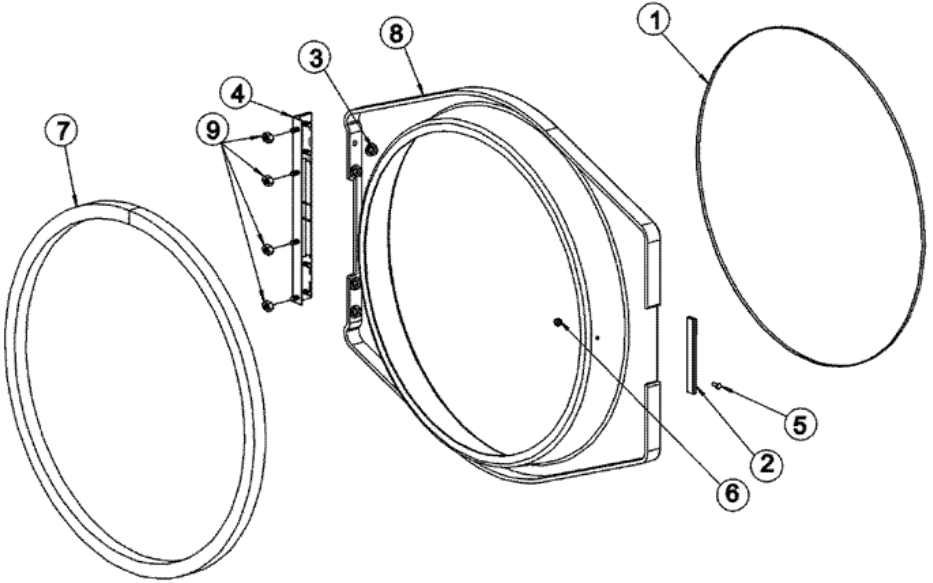




**MDG30PNHWW LINT TRAP**

1	A801070	LINT TRAP (COMPLETE) <b>DESCONTINUADO</b>
1	A801069	LINT TRAP <b>DESCONTINUADO</b>
2	A154200	POP RIVET (5/32``) <b>DESCONTINUADO</b>
3	A150300	SCREW (No.10-32 X 1/2`` PH <b>DESCONTINUADO</b>
4	A304100	HOLDER, LINT SCREEN <b>DESCONTINUADO</b>
5	A800500	SCREEN, LINT <b>DESCONTINUADO</b>

**MDG30PNHWW MAIN DOOR**





## MDG30PNHWW MAIN DOOR

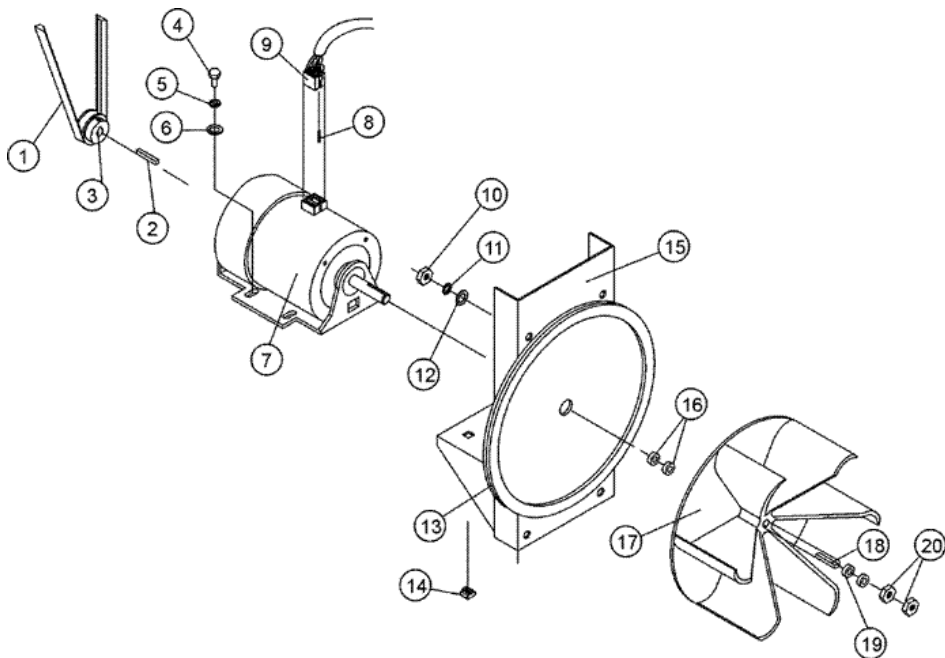
1	A102210	GLASS, DOOR (20-7/16`` ONLY) <b>DESCONTINUADO</b>
2	A102328	HANDLE EDGE <b>DESCONTINUADO</b>
3	A152014	NUT, FREE SPIN WASH (No.20-1/4) <b>DESCONTINUADO</b>
4	A801524	BLACK DOOR HINGE <b>DESCONTINUADO</b>
5	A150120	LATCH SCREW <b>DESCONTINUADO</b>
6	A151010	BLACK ACORN NUT <b>DESCONTINUADO</b>
7	A102349	GASKET, DOOR <b>DESCONTINUADO</b>
8	A882991	BLACK MAIN DOOR ASSY. <b>DESCONTINUADO</b>
9	A152014	NUT, FREE SPIN WASH (No.20-1/4) <b>DESCONTINUADO</b>

Distribuidor Autorizado

SurteRápido.com

Venta de Refacciones  
Electrodomesticas

## MDG30PNHWW MOTOR

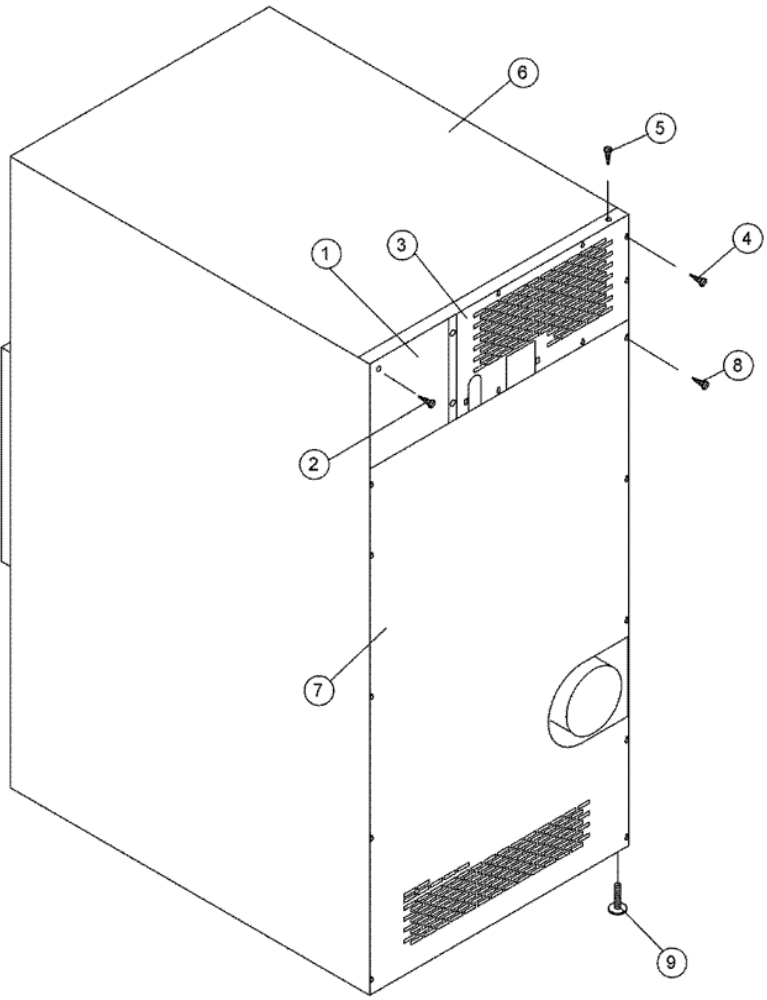




## MDG30PNHWW MOTOR

1	A100105	V-BELT <b>DESCONTINUADO</b>
2	A100701	KEY (3/16" X 3/16") <b>DESCONTINUADO</b>
3	A101104	PULLEY, MOTOR (1/2" X 2"-60HZ) <b>DESCONTINUADO</b>
4	A150501	BOLT, MACHINE (No.18-5/16 X 3/4) <b>DESCONTINUADO</b>
5	8182939	WASHER, LOCK (5/16") <b>(S/P)</b>
6	A153001	WASHER, FLAT (5/16") <b>DESCONTINUADO</b>
7	A181049	MOTOR, 1/2HP 60HZ <b>DESCONTINUADO</b>
8	A122801	TOOL, EXTRACTION (PIN/SOCKET) <b>DESCONTINUADO</b>
8	A122701	TERMINAL, SOCKET (ONLY) <b>DESCONTINUADO</b>
9	A137030	HOUSING (8 PIN) <b>DESCONTINUADO</b>
10	8182933	NUT, HEX (No.18-5/16) <b>(S/P)</b>
11	8182939	WASHER, LOCK (5/16") <b>(S/P)</b>
12	A153001	WASHER, FLAT (5/16") <b>DESCONTINUADO</b>
13	A117600	GASKET, TAPE (SOLD IN FEET) <b>DESCONTINUADO</b>
14	A154000	NUT (No.18-5/16") <b>DESCONTINUADO</b>
15	A817075	MOTOR, 1/2HP 60HZ COMPLETE <b>DESCONTINUADO</b>
15	A850017	MOTOR, MOUNT <b>DESCONTINUADO</b>
16	A153050	WASHER, FLAT (1/2") <b>DESCONTINUADO</b>
17	A100604	IMPELLOR (12 1/2" W/ 1/2 BORE) <b>DESCONTINUADO</b>
18	A100702	KEY (1/8" X 1/8" X 1 1/2") <b>DESCONTINUADO</b>
19	A153050	WASHER, FLAT (1/2") <b>DESCONTINUADO</b>
20	A152006	NUT, JAM (No.20-1/2" LT-HAND) <b>DESCONTINUADO</b>

**MDG30PNHWW OUTER TOP**



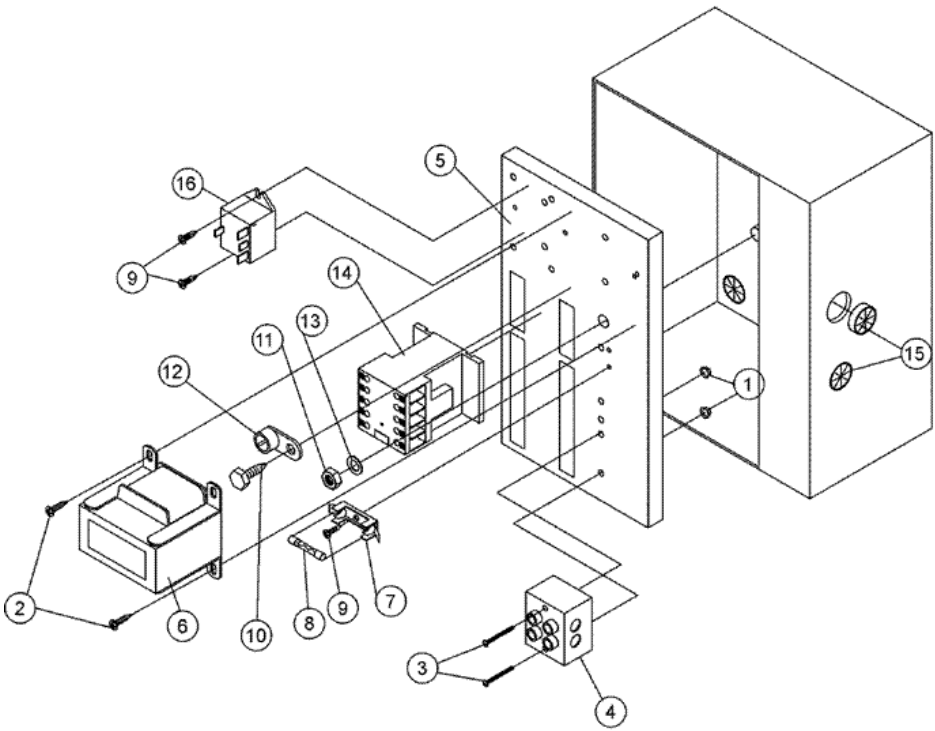


## MDG30PNHWW OUTER TOP

1	A322809	COVER, ELECTRICAL BOX (REAR) <b>DESCONTINUADO</b>
2	A150301	SCREW, TEK (No.8-18 X 7/16 PH <b>DESCONTINUADO</b>
3	A314424	GUARD, TOP BACK <b>DESCONTINUADO</b>
4	A150301	SCREW, TEK (No.8-18 X 7/16 PH <b>DESCONTINUADO</b>
5	A150300	SCREW (No.10-32 X 1/2`` PH <b>DESCONTINUADO</b>
6	A322015	TOP, OUTER <b>DESCONTINUADO</b>
7	A322082	GUARD, BOTTOM BACK <b>DESCONTINUADO</b>
8	A150301	SCREW, TEK (No.8-18 X 7/16 PH <b>DESCONTINUADO</b>
9	A103500	LEG, LEVELING (ADJUSTABLE) <b>DESCONTINUADO</b>



**MDG30PNHW REAR ELECTRIC  
PANEL**

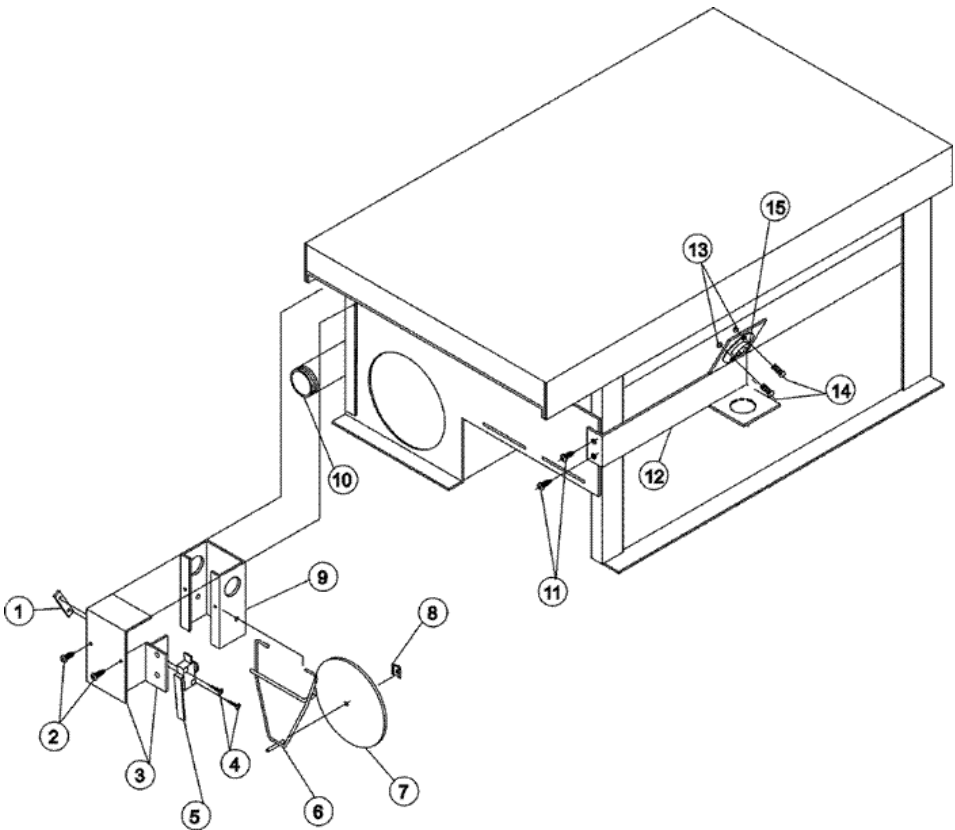




## MDG30PNHWW REAR ELECTRIC PANEL

1	A151000	PAL NUT (No.6-32) <b>DESCONTINUADO</b>
2	A150300	SCREW (No.10-32 X 1/2`` PH <b>DESCONTINUADO</b>
3	A150008	SCREW, MACHINE <b>DESCONTINUADO</b>
4	A120716	TERMINAL BLOCK, 2-POSTION <b>DESCONTINUADO</b>
5	A822796	PANEL, REAR ELEC. COMPLETE <b>DESCONTINUADO</b>
5	A322812	PLATE, BACK <b>DESCONTINUADO</b>
6	A830151	TRANSFORMER 115V <b>DESCONTINUADO</b>
7	A136008	STRIP, FUSE BLOCK (ONLY) <b>DESCONTINUADO</b>
8	A136057	FUSE, 1/2-AMP SLO-BLO <b>DESCONTINUADO</b>
9	A150301	SCREW, TEK (No.8-18 X 7/16 PH <b>DESCONTINUADO</b>
10	A150297	WASHER, TEK SCREW <b>DESCONTINUADO</b>
11	8182933	NUT, HEX (No.18-5/16) <b>(S/P)</b>
12	A121010	LUG, GROUND (L-70) <b>DESCONTINUADO</b>
13	8182939	WASHER, LOCK (5/16``) <b>(S/P)</b>
14	A132495	CONTACTOR, 3-POLE <b>DESCONTINUADO</b>
15	A121300	BUSHING, OPEN/CLOSED <b>DESCONTINUADO</b>
16	A131932	RELAY, SPST 24V <b>DESCONTINUADO</b>

**MDG30PNHWW SAIL SWITCH**

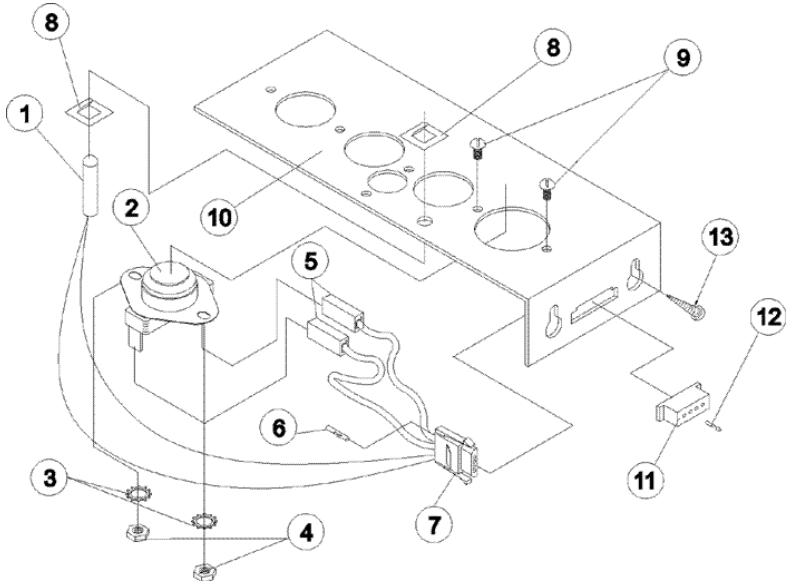




## MDG30PNHWW SAIL SWITCH

1	A154004	NUT, TWIN SPEED <b>DESCONTINUADO</b>
2	A150300	SCREW (No.10-32 X 1/2`` PH <b>DESCONTINUADO</b>
3	A802799	COVER, SAIL SWITCH BOX <b>DESCONTINUADO</b>
4	A150303	SCREW (No.4 X 3/4``) <b>DESCONTINUADO</b>
5	A122200	SWITCH, SAIL <b>DESCONTINUADO</b>
6	A105500	ROD, SAIL SWITCH ACTUATOR <b>DESCONTINUADO</b>
7	A319202	DAMPER, SAIL SWITCH (FLAT) <b>DESCONTINUADO</b>
8	A154002	FASTENER, PUSH-ON (1/8``) <b>DESCONTINUADO</b>
9	A802800	BOX, SAIL SWITCH (ONLY) <b>DESCONTINUADO</b>
9	A802801	BOX, SAIL SWITCH ASSY <b>DESCONTINUADO</b>
10	A142818	NIPPLE, B.I. <b>DESCONTINUADO</b>
11	A150300	SCREW (No.10-32 X 1/2`` PH <b>DESCONTINUADO</b>
12	A319704	BRACKET, HI-LIMIT MOUNTING <b>DESCONTINUADO</b>
13	A151000	PAL NUT (No.6-32) <b>DESCONTINUADO</b>
14	A150001	SCREW, MACHINE (No.6-32 X 1/2``) <b>DESCONTINUADO</b>
15	A130201	HI-LIMIT <b>DESCONTINUADO</b>

**MDG30PNHWW SENSOR BRACKET**

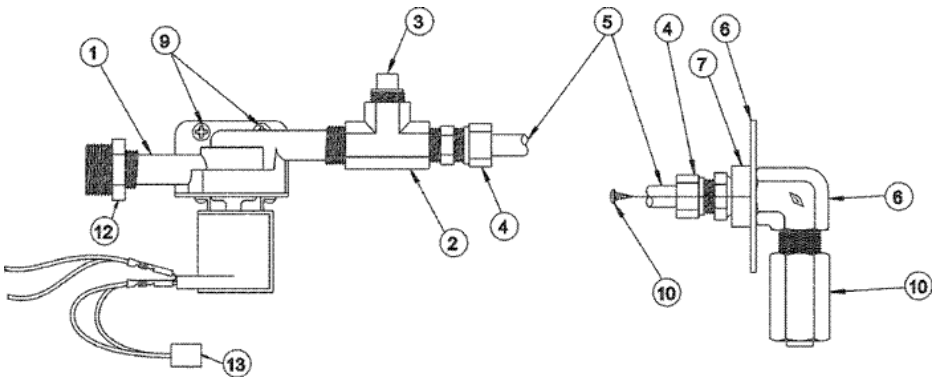




## MDG30PNHWW SENSOR BRACKET

1	A880251	PROBE ASSY., TEMP. (1/4``) <b>DESCONTINUADO</b>
2	A130103	THERMOSTAT (225 DEGREE) <b>DESCONTINUADO</b>
3	A153010	WASHER, STAR (No.6) <b>DESCONTINUADO</b>
4	A152000	NUT, HEX (No.6-32) <b>DESCONTINUADO</b>
5	A121028	TERMINAL, 1/4`` INSUL. (FEMALE) <b>DESCONTINUADO</b>
6	A122701	TERMINAL, SOCKET (ONLY) <b>DESCONTINUADO</b>
7	A122605	CONNECTOR, 4-PIN SOCKET <b>DESCONTINUADO</b>
8	8182949	FASTENER, PUSH-ON (1/4``) <b>(S/P)</b>
9	A150005	SCREW, PHILL (6-32 X 1/4``)RND <b>DESCONTINUADO</b>
10	A801425	SENSOR BRACKET ASY. <b>DESCONTINUADO</b>
10	A305007	BRACKET, SENSOR <b>DESCONTINUADO</b>
11	A122604	CONNECTOR (4 PIN) <b>DESCONTINUADO</b>
12	A122700	TERMINAL, PIN <b>DESCONTINUADO</b>
13	A150301	SCREW, TEK (No.8-18 X 7/16 PH) <b>DESCONTINUADO</b>

# MDG30PNHWW SOLENOID AND PIPING





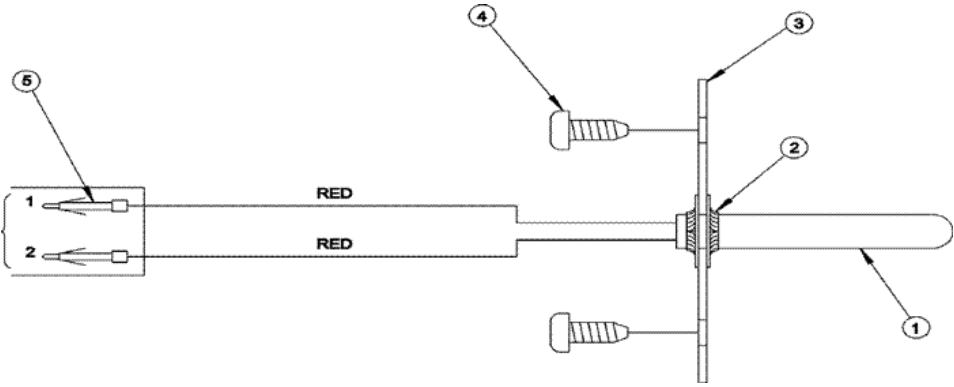
## MDG30PNHWW SOLENOID AND PIPING

1	A165114	VALVE, SOLENOID (SAFE) <b>DESCONTINUADO</b>
2	A143220	TEE, BRASS 3/8 <b>DESCONTINUADO</b>
3	A143251	PLUG, BRASS 3/8 <b>DESCONTINUADO</b>
4	A143208	CONNECTOR, BRASS 3/8 <b>DESCONTINUADO</b>
5	A143099	TUBING, WALL COPPER (FOOT) <b>DESCONTINUADO</b>
6	A311588	MOUNTING PLATE, SPRINKLER <b>DESCONTINUADO</b>
7	A143303	LOCKNUT, BRASS <b>DESCONTINUADO</b>
8	A143155	ELBOW, BRASS 90 DEG <b>DESCONTINUADO</b>
9	A150430	SCREW, SELF DRILLING (PH) <b>DESCONTINUADO</b>
10	A150301	SCREW, TEK (No.8-18 X 7/16 PH) <b>DESCONTINUADO</b>
11	A143581	NOZZLE, SPRAY <b>DESCONTINUADO</b>
12	A142888	BUSSING, 1/2 X 3/8 <b>DESCONTINUADO</b>
13	A824081	NETWORK, R.C. <b>DESCONTINUADO</b>





**MDG30PNHWW TEMPERATURE  
PROBE**





## MDG30PNHWW TEMPERATURE PROBE

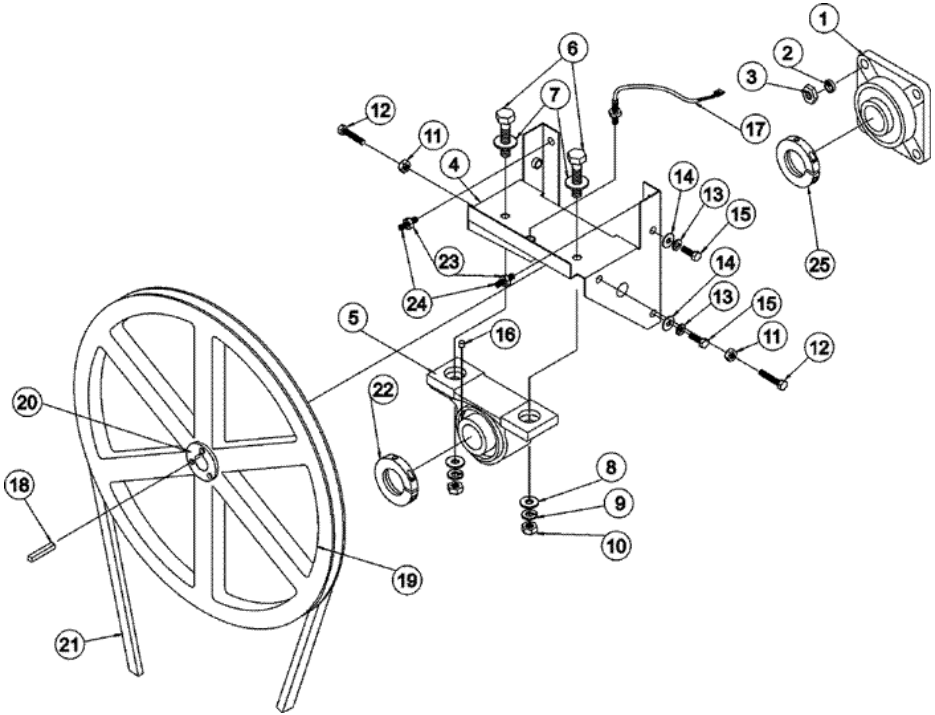
1	A822752	PROBE, TEMP (COMPLETE) <b>DESCONTINUADO</b>
2	8182949	FASTENER, PUSH-ON (1/4") (S/P)
3	A390390	BRACKET, SENSOR <b>DESCONTINUADO</b>
4	A150301	SCREW, TEK (No.8-18 X 7/16 PH <b>DESCONTINUADO</b>
5	A122647	CONNECTOR (NO TERMINALS) <b>DESCONTINUADO</b>

Distribuidor Autorizado

**SurteRápido.com**

Venta de Refacciones  
Electrodomesticas

## MDG30PNHW TUMBLER BEARING





## MDG30PNHWW TUMBLER BEARING

1	A883735	BEARING, FLANGE <b>DESCONTINUADO</b>
2	A153025	LOCK WASHER (9/16``) <b>DESCONTINUADO</b>
3	A152050	HEX NUT (No.9/16-12) <b>DESCONTINUADO</b>
4	A882543	BEARING SUPPORT ONLY <b>DESCONTINUADO</b>
4	A883387	BEARING, PILLOW BLOCK, <b>DESCONTINUADO</b>
5	A883710	BEARING, PILLOW BLOCK <b>DESCONTINUADO</b>
6	A150601	BOLT, MACHINE <b>DESCONTINUADO</b>
7	A153004	WASHER, FLAT (3/8``) <b>DESCONTINUADO</b>
8	A153004	WASHER, FLAT (3/8``) <b>DESCONTINUADO</b>
9	A153005	WASHER, LOCK (3/8``) <b>DESCONTINUADO</b>
10	A153005	WASHER, LOCK (3/8``) <b>DESCONTINUADO</b>
11	8182933	NUT, HEX (No.18-5/16) <b>(S/P)</b>
12	A150621	BOLT, MACHINE (No.18-5/16X1 1/2) <b>DESCONTINUADO</b>
13	8182939	WASHER, LOCK (5/16``) <b>(S/P)</b>
14	A153004	WASHER, FLAT (3/8``) <b>DESCONTINUADO</b>
15	A150501	BOLT, MACHINE (No.18-5/16 X 3/4) <b>DESCONTINUADO</b>
16	A102120	SINTERED 8 MAGNET <b>DESCONTINUADO</b>
17	A883386	SENSOR, ROTATIONAL <b>DESCONTINUADO</b>
18	A100724	KEY, SHAFT <b>DESCONTINUADO</b>
19	A101100	PULLEY (18``) <b>DESCONTINUADO</b>
20	A101110	BUSHING <b>DESCONTINUADO</b>
21	A100100	V-BELT <b>DESCONTINUADO</b>
22	A100270	COLLAR, GRIPLOCK <b>DESCONTINUADO</b>
23	A150610	SCREW, SET (No.18-5/16`` X 1 1/2) <b>DESCONTINUADO</b>
24	8182933	NUT, HEX (No.18-5/16) <b>(S/P)</b>
25	A100272	COLLAR, GRIPLOCK <b>DESCONTINUADO</b>

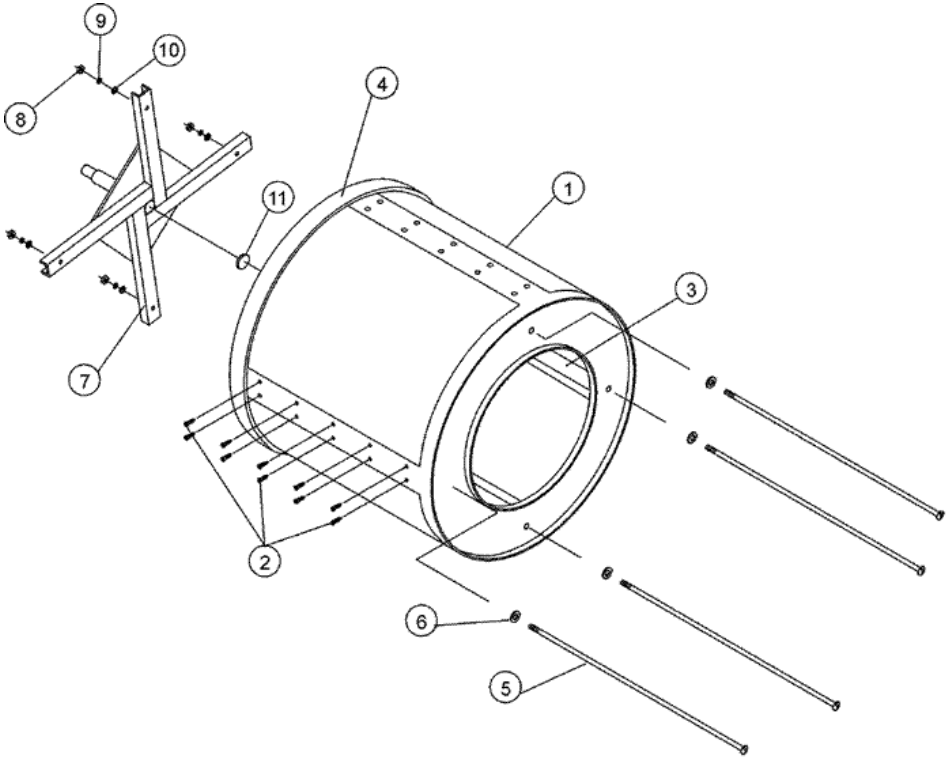
Distribuidor Autorizado

SurteRápido.com

Venta de Refacciones  
Electrodomesticas



## MDG30PNHWW TUMBLER SUPPORT





## MDG30PNHWW TUMBLER SUPPORT

1	A882522	TUMBLER, GALVANIZED <b>DESCONTINUADO</b>
1	A882519	TUMBLER, GALVANIZED <b>DESCONTINUADO</b>
2	A150313	SCREW <b>DESCONTINUADO</b>
3	A322002	RIB, TAPER TUMBLER GAL <b>DESCONTINUADO</b>
3	A322003	RIB, STRAIGHT TUMBLER GAL <b>DESCONTINUADO</b>
4	A401010	ADHESIVE, FELT COLLAR No.847 <b>DESCONTINUADO</b>
4	A116002	COLLAR, FELT <b>DESCONTINUADO</b>
5	A100918	ROD, TIE 3/8-16X26-3/4 <b>DESCONTINUADO</b>
6	A153004	WASHER, FLAT (3/8``) <b>DESCONTINUADO</b>
7	A882517	SUPPORT, TUMBLER <b>DESCONTINUADO</b>
8	A152005	NUT, HEX (No.16-3/8``) <b>DESCONTINUADO</b>
9	A153005	WASHER, LOCK (3/8``) <b>DESCONTINUADO</b>
10	A153004	WASHER, FLAT (3/8``) <b>DESCONTINUADO</b>
11	A115986	PAD, FELT TUMBLER 1/4X2 <b>DESCONTINUADO</b>