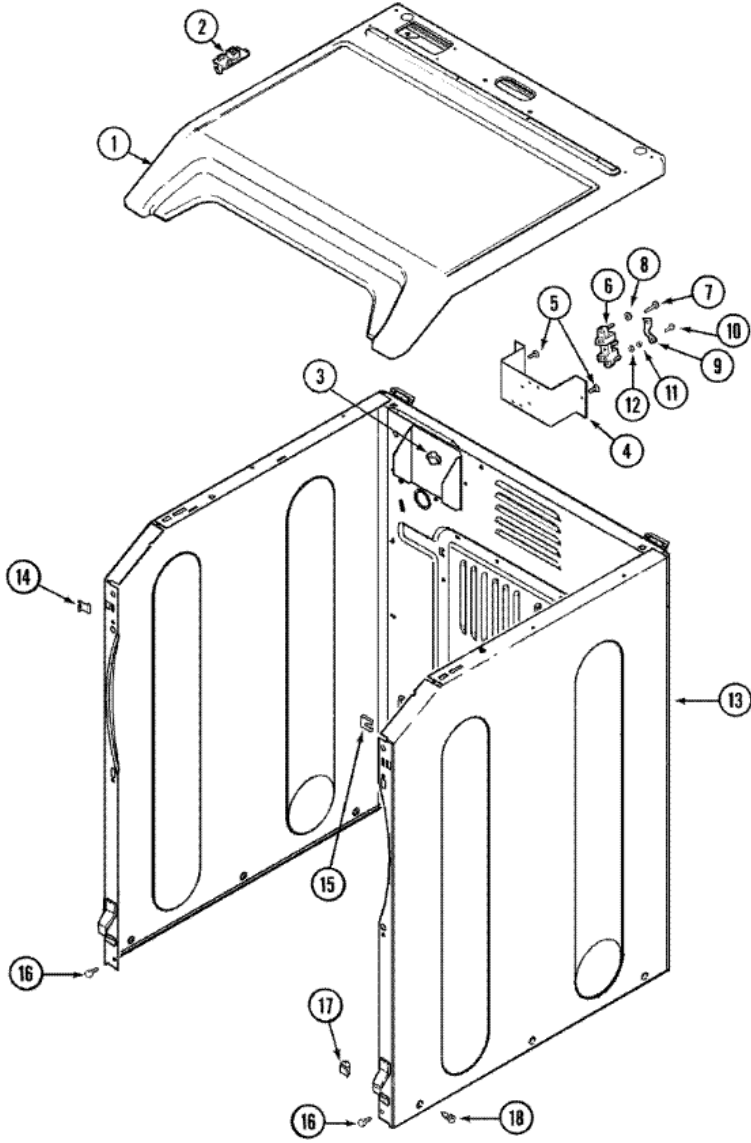


MDG4000AWW GABINETE

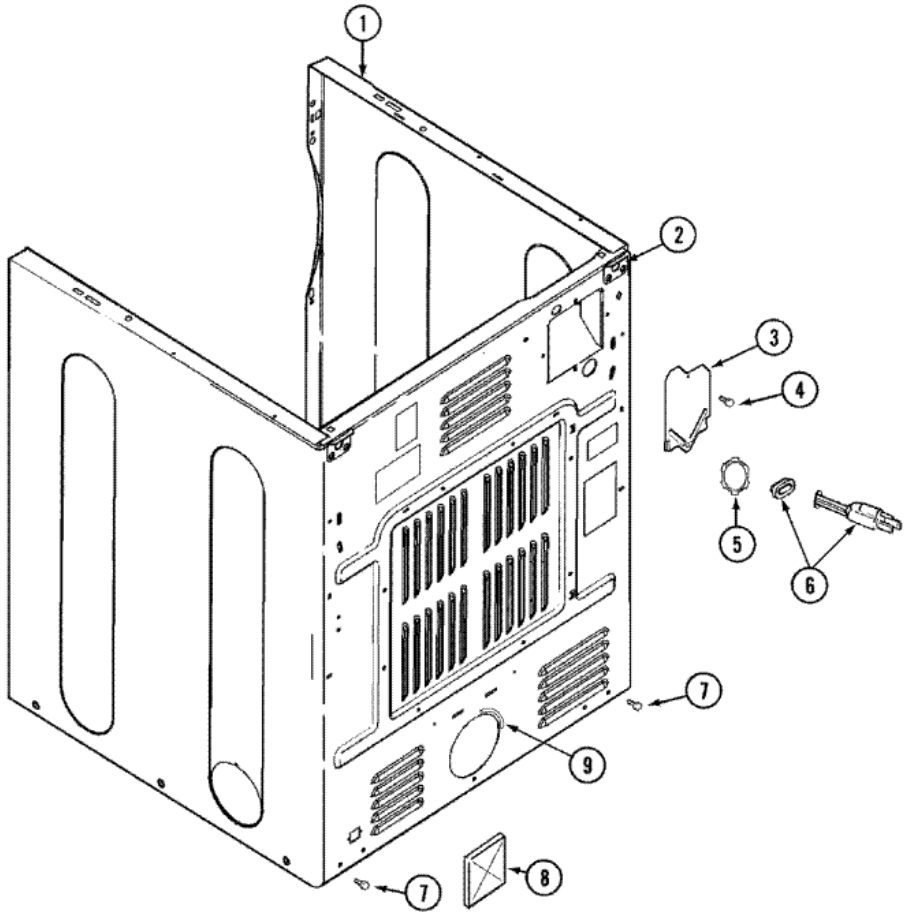




MDG4000AWW GABINETE

1	33001865	COVER, TOP (WHT) (S/P)
1	33002627	COVER, TOP (WHT-AS PK) (S/P)
2	33002891	PIN, LOCATOR (S/P)
3	213007	SCREW, CABINET (S/P)
13	22003639	DESCONTINUADO
13	22003582	CABINET, ASSY. (WHT-AS PK) (S/P)
14	22002049	CLIP (S/P)
15	213280	FRONT PANEL BRACKET/FASTENER (S/P)
16	22001995	SCREW (S/P)
17	Y310376	CLIP, WIRE HARNESS (S/P)

MDG4000AWW GABINETE

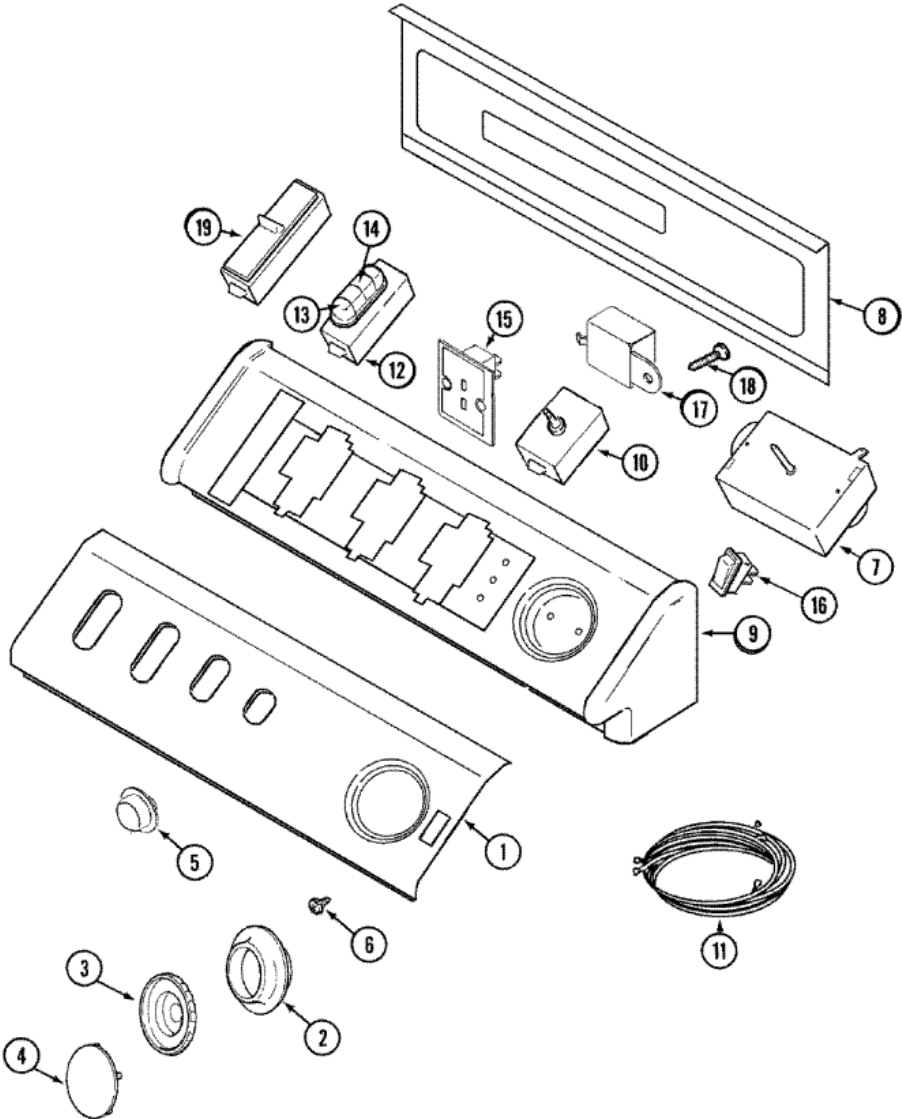




MDG4000AWW GABINETE

1	22003582	CABINET, ASSY. (WHT-AS PK) (S/P)
1	22003639	DESCONTINUADO
2	22001995	SCREW (S/P)
2	22004095	HINGE, PLASTIC
2	33001827	DESCONTINUADO
3	33001795	COVER, TERMINAL BLOCK (S/P)
4	22001995	SCREW (S/P)
6	2-11881	GROMMET, CORD
6	33001284	CORD, POWER (S/P)
7	22001995	SCREW (S/P)
8	33001702	FLAP, PIPE (S/P)
9	33002283	GUARD, EXHAUST DUCT (S/P)

MDG4000AWW TABLERO





MDG4000AWW TABLERO

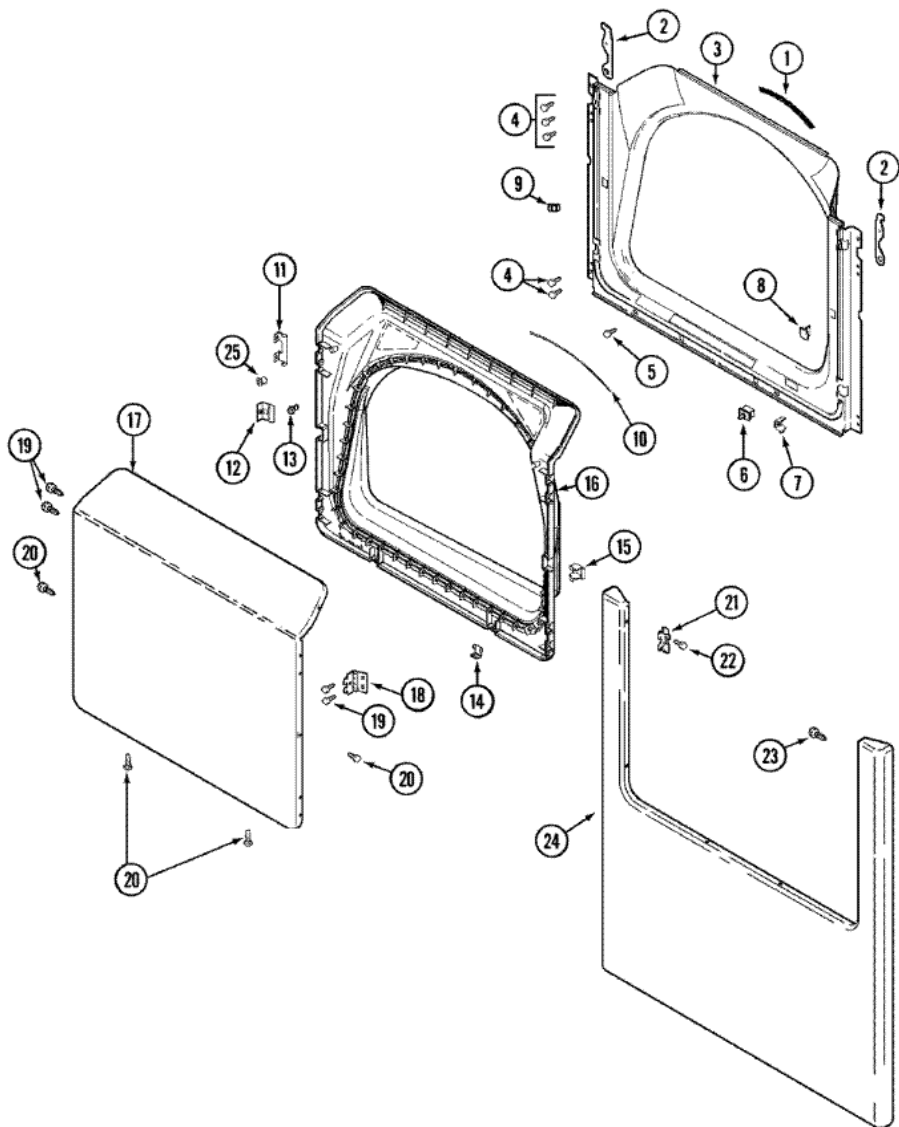
1	33002422	PANEL, CONTROL (WHT) (S/P)
1	Y22002339	SCREW (S/P)
2	33001621	SKIRT, TIMER DIAL (WHT)
3	22001659	TIMER KNOB – GREY
4	22001664	TIMER KNOB INSERT/CAP (WHT)
5	37001071	BUTTON, PUSH TO START (WHT) (S/P)
6	33001690	SCREW, TIMER (S/P)
7	33001730	TIMER
7	33002676	TIMER, ELECTRONIC DRY (S/P)
8	22002529	DESCONTINUADO
8	216423	SCREW (S/P)
9	27001110	CONSOLE (WHT) (S/P)
10	37001070	SWITCH, PUSH TO START (WHT) (S/P)
11	33002420	WIRE HARNESS, MAIN (GAS) (S/P)
12	33002414	SWITCH, OPTION 4 POS (WHT) (S/P)
13	22001788	BUTTON, SWITCH (WHT-END) (S/P)
14	22001789	BUTTON, SWITCH (WHT-MDL) (S/P)
15	33002389	DRYNESS DISPLAY CONTROL (WHT)
16	33002417	2 POS. ROCKER SWITCH (WHT) (S/P)
17	33001848	SIGNAL, END OF CYCLE (CHIME) (S/P)
18	33001860	DESCONTINUADO
19	33001656	SWITCH, TEMP (ELEC)(WHT) (S/P)
20	22001948	LENS, INDICATOR LIGHT (S/P)
20	22001403	LIGHT, INDICATOR (250V) (S/P)

Distribuidor Autorizado

SurteRápido.com

Venta de Refacciones
Electrodomesticas

MDG4000AWW PUERTA





MDG4000AWW PUERTA

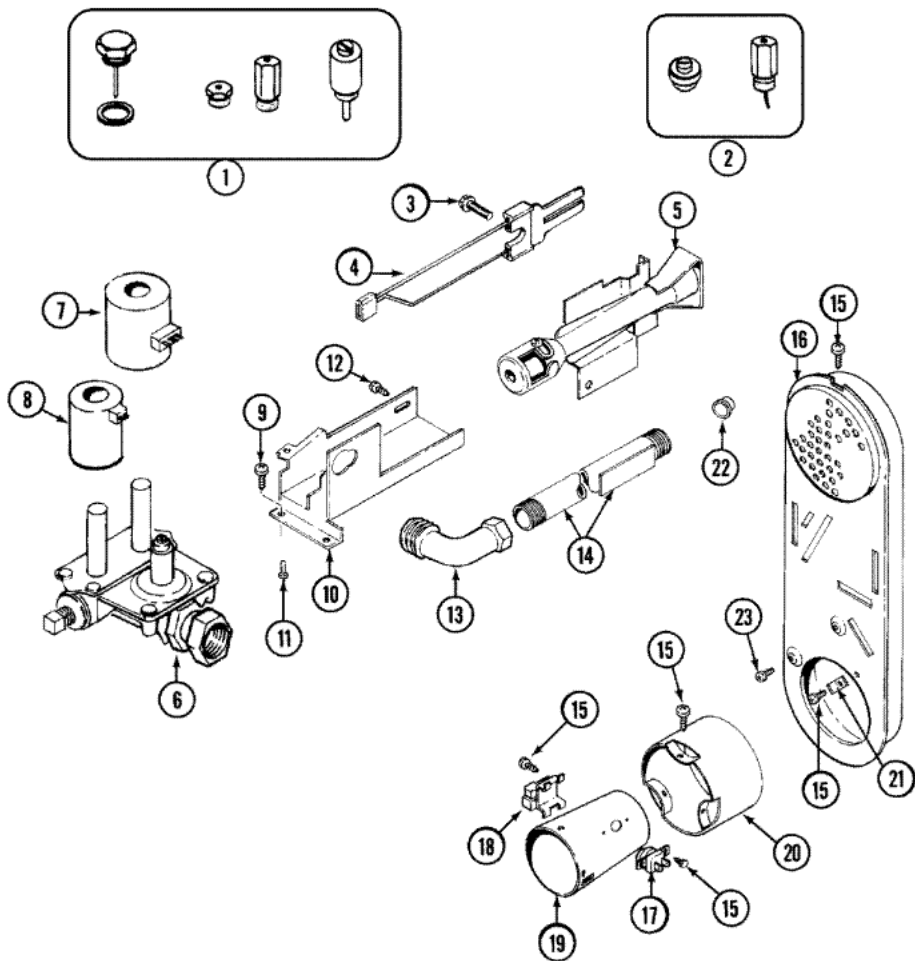
1	33001767	SEAL, SHROUD (S/P)
2	33002597	SECURITY HOOK (S/P)
3	33001778	SHROUD (WHT) (S/P)
4	22001995	SCREW (S/P)
5	33001768	SCREW, SHROUD (S/P)
6	33001508	SWITCH, DOOR
7	33001760	BRACKET, HINGE (S/P)
8	LA-1003	PLUG, DOOR CATCH
9	306436	CATCH, DOOR (W/PLUG)
9	LA-1003	CATCH, DOOR (FEMALE)
10	33002094	SEAL, DOOR (S/P)
11	22002038	CLIP, DOOR (DOUBLE) (S/P)
12	33001793	BRACKET, STRIKE (S/P)
13	33001761	STRIKE, DOOR (MALE) (S/P)
14	22002039	CLIP, DOOR (SINGLE) (S/P)
15	33001763	PLUG, INNER DOOR (S/P)
16	22002039	CLIP, DOOR (SINGLE) (S/P)
16	22002063	SCREW No.8-18AB WAFER HD (S/P)
16	33001750	DOOR, INNER/ W SEAL (WHT) (S/P)
16	22002351	WIRE HARNESS, MAIN (S/P)
17	22002260	PANEL, DOOR (WHT-W/MEDALLION) (S/P)
17	22001817	SHEET, SOUND DAMPER (FT. PNL) (S/P)
18	33001759	HINGE, DOOR (S/P)
19	22002062	SCREW (S/P)
20	22002063	SCREW No.8-18AB WAFER HD (S/P)
21	33001764	COVER, HINGE HOLE (WHT) (S/P)
22	33001787	SCREW, HINGE (S/P)
23	22002012	SCREW, HINGE (S/P)
24	22002836	PANEL, FRONT (WHT) (S/P)
25	33001771	BUSHING, INNER DOOR (S/P)

Distribuidor Autorizado

SurteRápido.com

Venta de Refacciones
Electrodomesticas

MDG4000AWW QUEMADOR





MDG4000AWW QUEMADOR

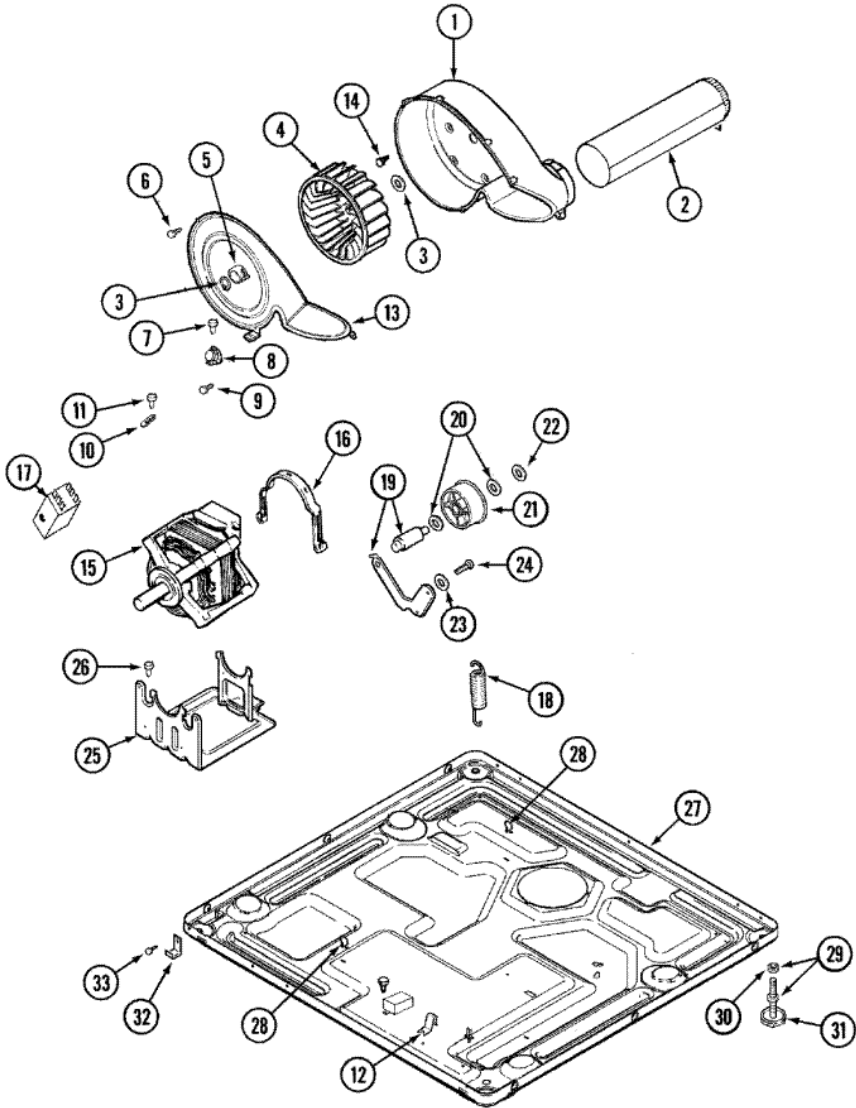
1	33002923	CONVERSION KIT (NATURAL TO LP)
2	33002924	CONVERSION KIT (LP TO NATURAL)
3	304971	SCREW (S/P)
4	WE4X750	IGNITER ASSY, GAS VALVE
5	33002793	BURNER ASSY.
6	3-6176	VALVE, GAS
7	279834	COIL, HOLDING & BOOSTER
8	3-6105	COIL, SECONDARY
9	Y313561	DESCONTINUADO
10	33001834	DESCONTINUADO
11	314082	SCREW (S/P)
11	314568	SCREW-GAS VALVE TO BRACKET (S/P)
12	Y310632	SCREW (S/P)
13	33001842	CONNECTOR, ANGLE
14	33001735	PIPE & BRACKET ASSY. (S/P)
14	33003029	CONTROL, GAS ASSEMBLY (S/P)
15	211294	SCREW (S/P)
16	33002952	DESCONTINUADO
17	303395	THERMOSTAT, HI-LIMIT (GAS)
18	338906	SENSOR, RADIANT
19	22001996	SCREW (S/P)
19	33001835	CONE ASSY., COMBUSTION (S/P)
20	Y303841	CONE, EXTENSION (COMBUSTION) (S/P)
21	Y312890	RETAINER, HEATER CHAMBER (S/P)
21	22001996	SCREW (S/P)
22	33001693	CAP, GAS PIPE (S/P)
23	22001996	SCREW (S/P)

Distribuidor Autorizado

SurteRápido.com

Venta de Refacciones
Electrodomesticas

MDG4000AWW BASE





MDG4000AWW BASE

1	33001789	HOUSING, BLOWER (S/P)
2	33001800	DUCT ASSY., EXHAUST (S/P)
2	22001995	SCREW (S/P)
3	410233	RING, RETAINING (S/P)
4	33001790	WHEEL, BLOWER
4	33002797	WHEEL, BLOWER
5	312967	CLAMP, BLOWER HOUSING
6	33001855	SCREW (HEX HEAD) (S/P)
7	Y313561	DESCONTINUADO
8	306910	THERMOSTAT, MULTI TEMP (GAS) (S/P)
8	33002409	THERMOSTAT, ULTRA CARE (S/P)
9	22001996	SCREW (S/P)
10	33001762	FUSE, THERMAL (W` BRACKET)
11	314848	SCREW (S/P)
12	22002244	CLIP, GROUNDING (S/P)
13	33002711	COVER, BLOWER HOUSING (S/P)
14	314818	SCREW (S/P)
15	33002478	MOTOR (W/PULLEY)
15	33002795	MOTOR, DRIVE 60HZ
16	Y015825	CLIP, MOTOR (S/P)
17	33002478	SWITCH, MOTOR
18	33002459	SPRING, IDLER (S/P)
18	33002461	PLUG FOR SPRING (S/P)
18	33002157	GROMMET (S/P)
18	33002459	SPRING, IDLER (S/P)
19	33001840	IDLER ARM & SHAFT ASSY.
20	Y312527	WASHER, IDLER SHAFT (QTY-1) (S/P)
21	33001783	BEARING, IDLER ASSEMBLY
22	312958	RETAINING RING, IDLER SHAFT (S/P)
23	315772	SLEEVE, IDLER ARM (S/P)
24	Y014874	SCREW (S/P)
25	33002817	SUPPORT, MOTOR (S/P)
25	Y313561	DESCONTINUADO

26	Y313561	DESCONTINUADO
27	33002622	BASE, (LWR) (S/P)
27	33002465	BASE (S/P)
28	410490	SPRING, WIRE HARNESS (S/P)
29	305086	ADJUSTABLE LEG & NUT
30	Y052740	NUT (S/P)
31	314137	FOOT, RUBBER
32	22002239	CLIP, LOWER FRONT PANEL (S/P)
33	Y310632	SCREW (S/P)

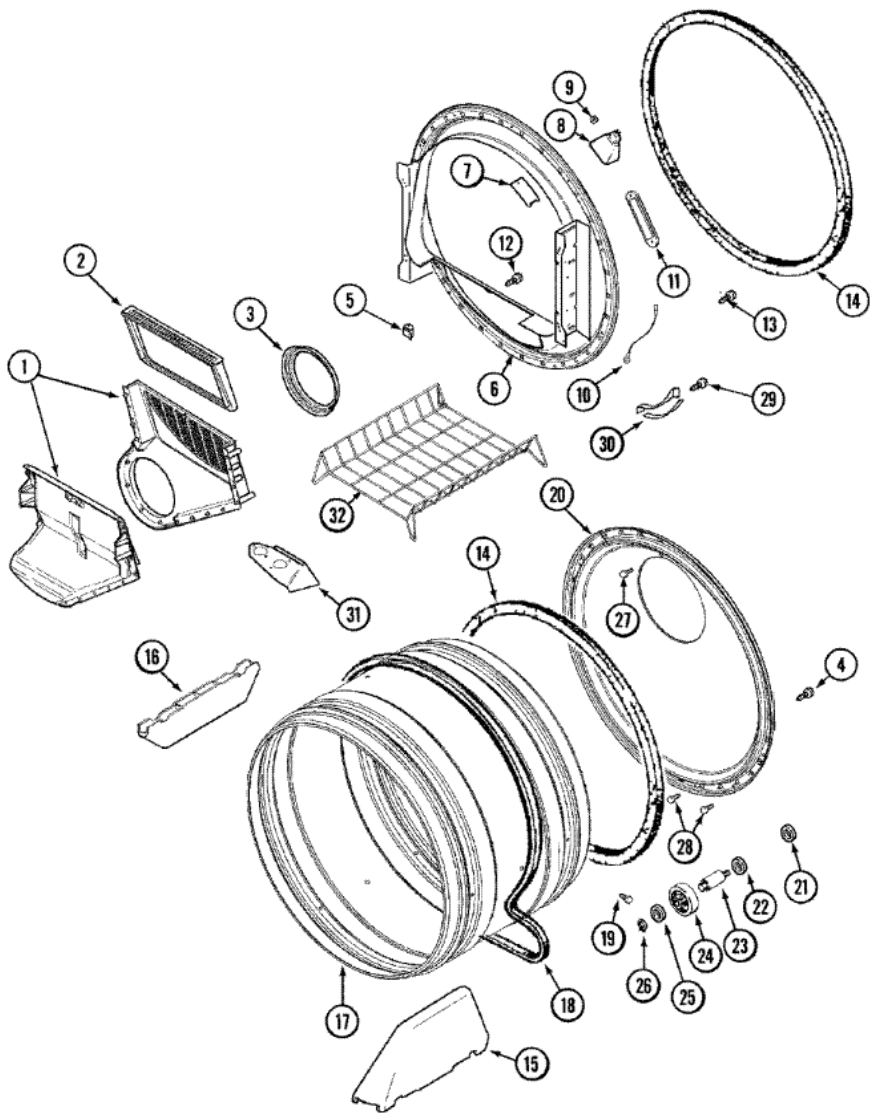
Distribuidor Autorizado

SurteRápido.com

Venta de Refacciones
Electrodomesticas



MDG4000AWW TAMBOR





MDG4000AWW TAMBOR

1	33001799	OUTLET DUCT ASSEMBLY
2	33001808	FILTER, LINT
3	33002560	SEAL, BLOWER (S/P)
4	33002190	SCREW (No.10-3/8``) (S/P)
5	Y310376	CLIP, WIRE HARNESS (S/P)
6	33001868	FRONT, TUMBLER FRONT W/SENSOR
7	33001869	LENS, DRUM LIGHT (S/P)
7	22002263	LAMP (10 WATT) (S/P)
7	33001871	SCREW (S/P)
8	33001870	HOLDER, LAMP (W/HOUSING) (S/P)
9	214872	PALNUT, END CAP (S/P)
10	Y303711	SENSOR GROUND WIRE (S/P)
10	211294	SCREW (S/P)
11	33001809	SENSOR BAR ASSY.
13	33001855	SCREW (HEX HEAD) (S/P)
14	33001807	SEAL, TUMBLER
15	33002032	BAFFLE (TALL)
16	33001755	BAFFLE (SHORT)
17	33001889	TUMBLER (S/P)
18	33002535	BELT, TUMBLER
19	33001788	SCREW, BAFFLE (S/P)
20	33001801	BACK, TUMBLER (W/SEAL) (S/P)
21	33001443	NUT, HEX (ROLLER SHAFT) (S/P)
22	312535	WASHER, SPRING (ROLLER SHAFT) (S/P)
23	Y312948	SHAFT, TUMBLER ROLLER (S/P)
24	12001541	BEARING & ROLLER ASSEMBLY
25	312535	WASHER, ROLLER SHAFT (S/P)
26	410233	RING, RETAINING (S/P)
27	210932	SCREW, No.8 X 9/16 CTSK (S/P)
29	210720	RIVET (S/P)
30	306508	TUMBLER BEARING KIT
32	33001917	RACK, DRYING