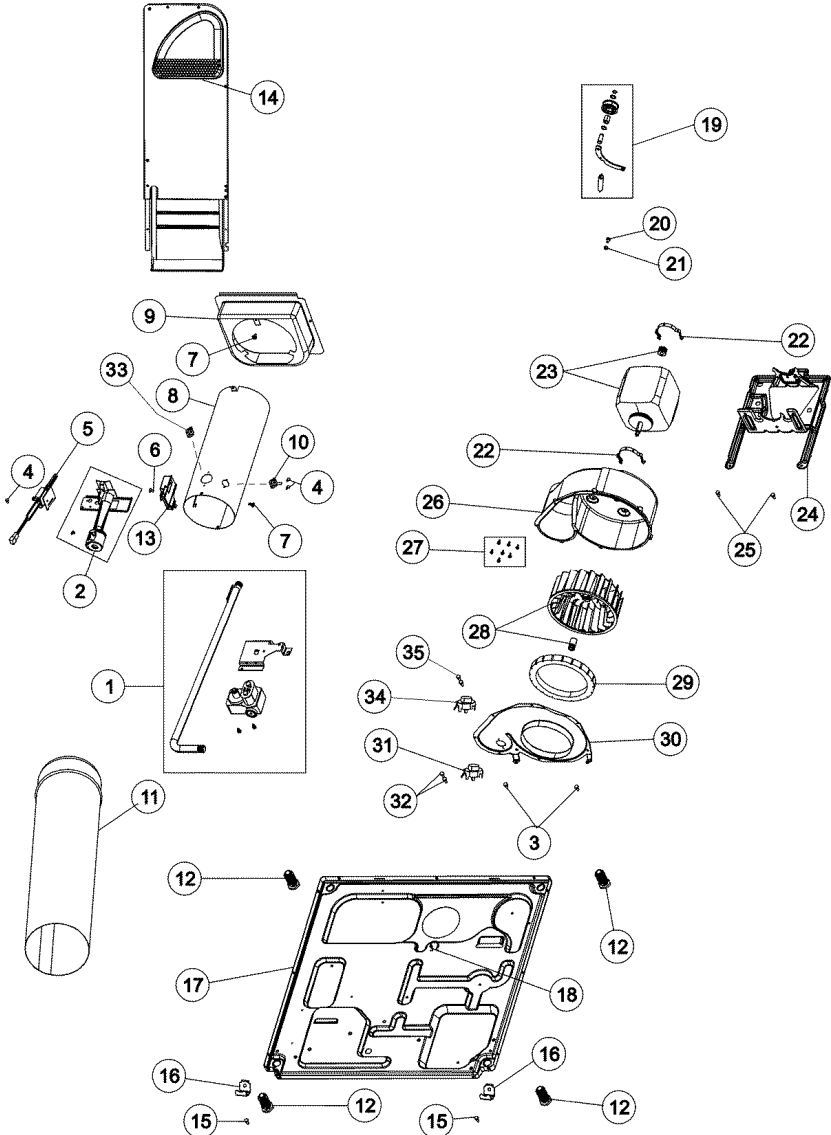


Distribuidor Autorizado

SurteRápido.com

Venta de Refacciones  
Electrodomesticas

# MDG4806AWW BASE



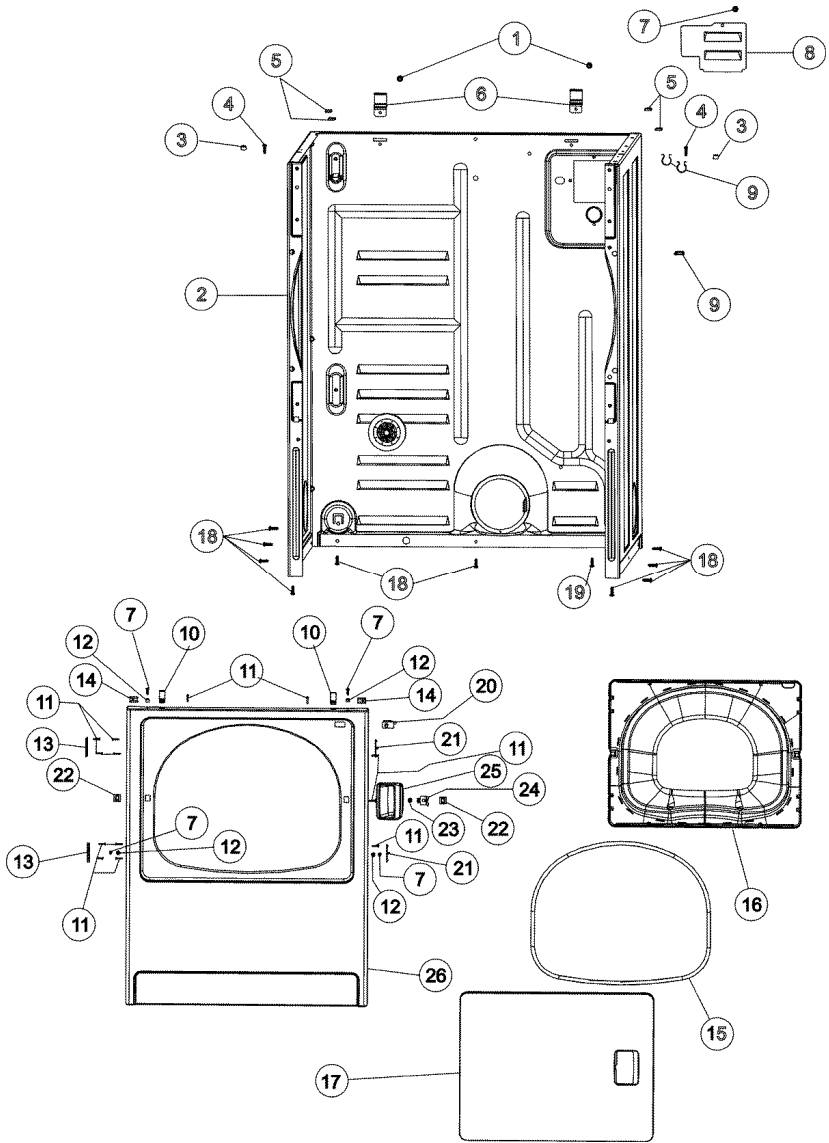


## MDG4806AWW BASE

1	37001127	VALVE & PIPE ASSY (S/P)
2	Y56234	ASSEMBLY, BURNER (S/P)
2	650P3	LP TO NATURAL CONVERSION KIT (S/P)
2	649P3	NATURAL TO LP CONVERSION KIT (S/P)
3	505518	DUCT, EXHAUST (S/P)
4	56692	SCREW, INDENT HEX HEAD- (S/P)
5	37001308	IGNITER & BRACKET ASSEMBLY
6	23222	SCREW, 8B-18 X 1/4 HE (S/P)
7	503688	SCREW (S/P)
8	37001303	DUCT, COMBUSTION (S/P)
9	500122	SHROUD, HEAT DUCT <b>DESCONTINUADO</b>
10	489P3	THERMOSTAT, LIMIT
11	33002567	THERMOSTAT, CYCLING (LIMIT) (S/P)
12	501086	SCREW, 8B-18X3/8 SLT (S/P)
13	338906	SENSOR, FLAME
14	503605	ASSEMBLY, HEATER DUCT (S/P)
15	500101	LEG, LEVELING (PLASTIC) (S/P)
15	27001200	SCREW (12-14X1/2 TYPE B (S/P)
16	504034	CLIP, WIRE (S/P)
17	37001145	CLIP, FRONT PANEL (S/P)
18	27001200	SCREW (12-14X1/2 TYPE B (S/P)
19	37001287	ASSY, IDLER LEVER/SHAFT/PULLEY
20	500824	SCREW, 1/4-20 UNC HEX (S/P)
21	27001225	NUT, JAM MID LOCK 1/4-20 (S/P)
22	660658	CLAMP, MOTOR MOUNT (S/P)
23	2200376	MOTOR, PULLY
24	503613	MOUNT, MOTOR (S/P)
25	27001200	SCREW (12-14X1/2 TYPE B (S/P)
26	511969P	HOUSING, BLOWER (S/P)
27	31260	SCREW, No.8 X 3/8 IND H (S/P)
28	56000	ASSEMBLY, BLOWER FAN
29	37001119	SEAL, BLOWER HOUSING (S/P)
30	500078	COVER, BLOWER HOUSING <b>DESCONTINUADO</b>

31	31001590	THERMISTOR, TEMP CONTROL
32	501086	SCREW, 8B-18X3/8 SLT <b>(S/P)</b>
33	503688	SCREW <b>(S/P)</b>
34	37001156	DRYER BASE <b>(S/P)</b>
35	40113801	FUSE, THERMAL

**MDG4806AWW GABINETE**

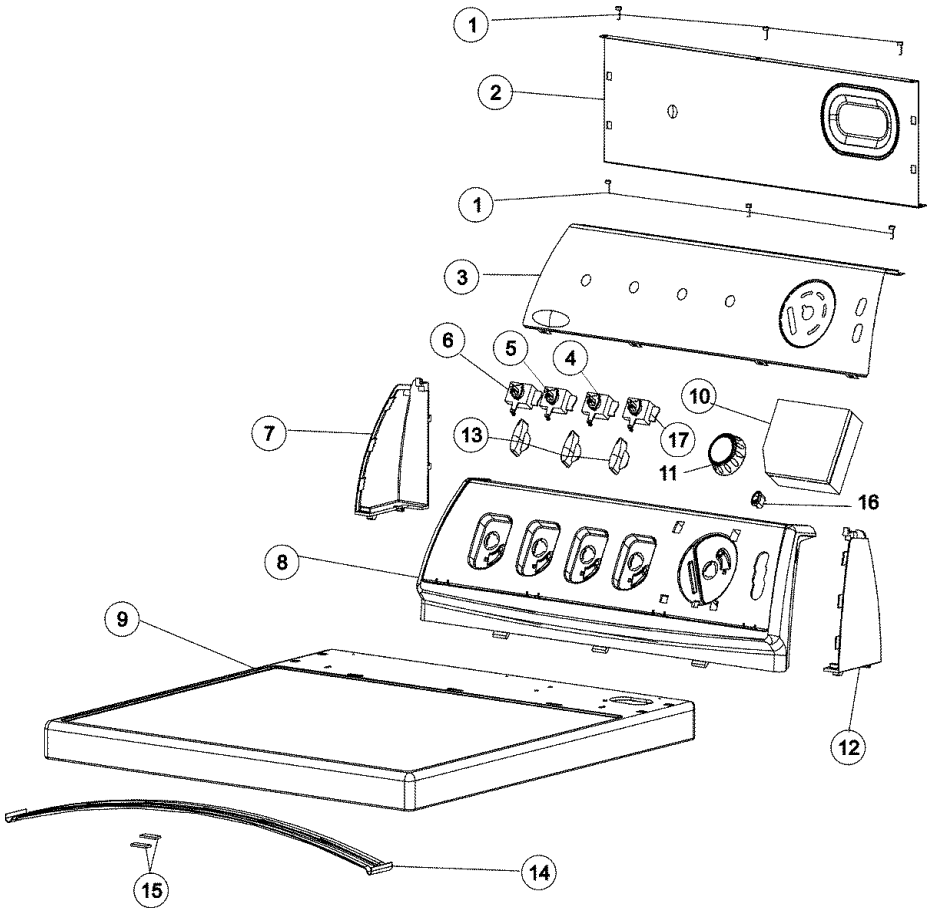




**MDG4806AWW GABINETE**

1	503688	SCREW (S/P)
2	37001284	CABINET, WHITEW/LOUVERS (S/P)
3	505187	LOCATOR, PANEL (S/P)
4	32671	SCREW, TAPPING (S/P)
5	Y56128	PAD, BUMPER (S/P)
6	500003	HINGE, TOP (S/P)
7	32671	SCREW, TAPPING (S/P)
8	37001158	PLATE, ACCESS COVER <b>DESCONTINUADO</b>
9	504034	CLIP, WIRE (S/P)
10	25-7220	CLIP, CABINET TOP (S/P)
11	37001030	SCREW, No.8AB-16X3/4 FH (S/P)
12	505187	LOCATOR, PANEL (S/P)
13	Y503676	HINGE, DOOR & TOP (S/P)
14	213280	FRONT PANEL BRACKET/FASTENER (S/P)
15	504005	SEAL, FRONT PANEL (S/P)
16	37001028	SEAL & LINER, ASSY(INNER DOOR) (S/P)
17	37001029	DOOR, DRYER (WHT) (S/P)
18	27001200	SCREW (12-14X1/2 TYPE B (S/P)
19	20530	SCREW, 10-24X3/8 HEX (S/P)
20	33001508	SWITCH, DOOR (S/P)
21	503126	PLUG, HINGE HOLE (S/P)
22	279570	CATCH, DOOR
23	500039	STRIKE, DOOR (METAL) (S/P)
24	40116201	BRACKET, DOOR STRIKE (S/P)
25	33001241	HANDLE, DOOR (WHT) (S/P)
26	37001154	FRONT PANEL - WHITE (S/P)

**MDG4806AWW TABLERO**





**MDG4806AWW TABLERO**

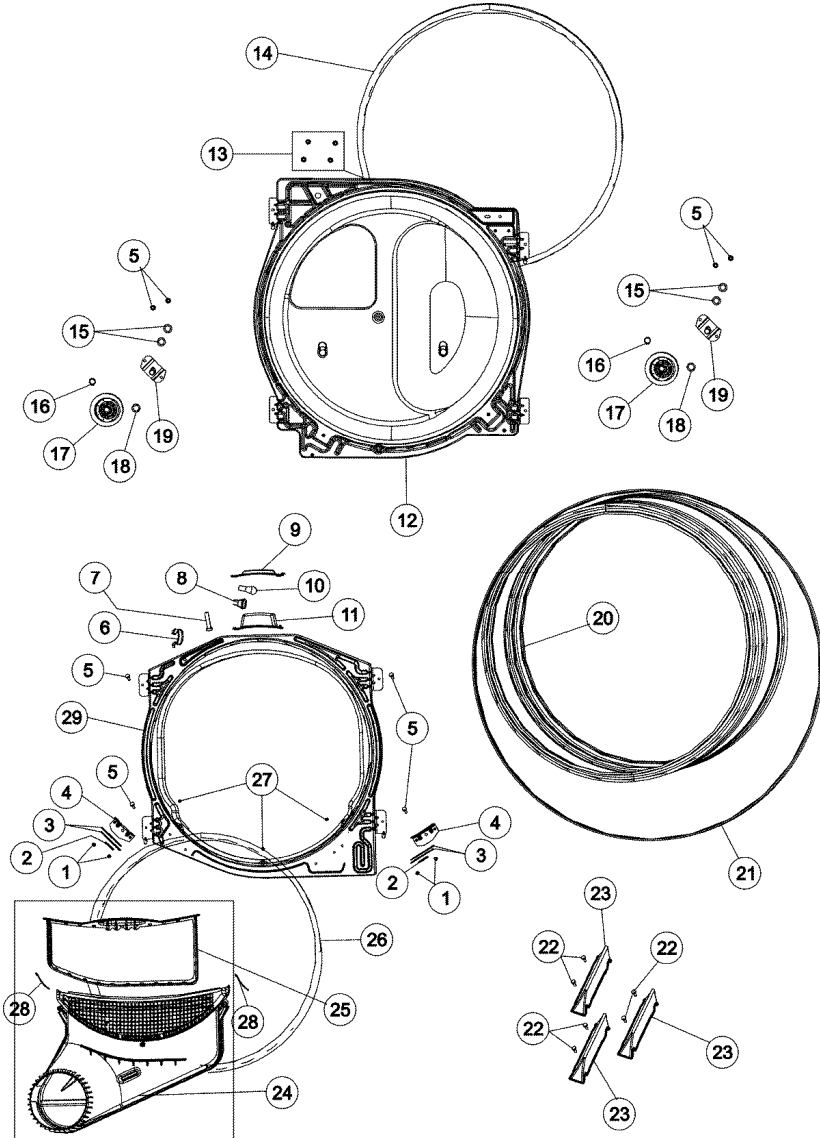
1	21002224	SCREW (S/P)
2	37001233	SHIELD, BACKGUARD (S/P)
3	12002674	FACIA (S/P)
4	37001263	ENCODER, ROTARY 4 POSITION (S/P)
5	37001265	ENCODER, ROTARY 2 POSITION (S/P)
6	37001264	ENCODER, ROTARY 5 POSITION (S/P)
7	21001519	ENDCAP (WHT-LT) (S/P)
8	37001166	SUPPORT, SWITCH -WHT (CONSOLE) (S/P)
9	37001283	COVER, TOP - WHITE/DRYER (S/P)
10	37001286	DRYER CONTROL BOARD
10	37001161	WIRE HARNESS - UPPER (S/P)
11	37001185	KNOB ASSEMBLY - ROTARY ENCODER (S/P)
12	21001523	ENDCAP (WHT-RT)
13	21002070	KNOB, SELECTOR (S/P)
14	56486	BRACE, TOP (S/P)
15	500121	PAD, FELT-COIN (S/P)
16	21002080	SWITCH, ROCKER
17	37001266	ENCODER, ROTARY 32 POSITION (S/P)

Distribuidor Autorizado

SurteRápido.com

Venta de Refacciones  
Electrodomesticas

MDG4806AWW TINAS







## MDG4806AWW TINAS

1	37001031	SCREW, No.8-32X3/8`` HEX (S/P)
2	500121	PAD, FELT-COIN (S/P)
3	37001298	GLIDE, CYLINDER(TAN)
4	37001036	BRACKET, CYLINDER GLIDE (S/P)
5	503661	SCREW, 10-16X.44 UNS (S/P)
6	504034	CLIP, WIRE (S/P)
7	505295	SCREW, No.8AB-16X3/4 PH (S/P)
8	504458	HOLDER, LAMP (S/P)
9	40094301	LENS, LIGHT (S/P)
10	Y61199	SCREW, No.10-32 X 3/8 (S/P)
10	67001316	LIGHT, CYLINDER (S/P)
11	37001132	SEAL, CYLINDER
12	502614WP	BULKHEAD, REAR (WHT) (S/P)
13	503688	SCREW (S/P)
14	37001132	SEAL, CYLINDER
15	52549	WASHER, 501 ID X3/4 ODX (S/P)
16	23748	RING, RETAINING (S/P)
17	37001042	ASSEMBLY, CYLINDER ROLLER
18	Y504082	WASHER, WAVE (S/P)
19	40113601	ASSY, ROLLER BRKT
20	504467WP	ASSEMBLY, CYLINDER (WHT) (S/P)
21	40111201	BELT, CYLINDER
22	Y62588	SCREW, 10BT-12 X 1 TAP (S/P)
23	37001125	BAFFLE, (WHT) (S/P)
24	37001141	AIR DUCT ASSEMBLY
25	37001142	FILTER, LINT
26	37001132	SEAL, CYLINDER
27	37001030	SCREW, No.8AB-16X3/4 FH (S/P)
28	503625	SENSOR, MOISTURE (S/P)
28	40012001	CLIP, RETAINING HARNESS (S/P)
29	503616WP	ASSY, BLKHD FRONT LIT (WHT) (S/P)