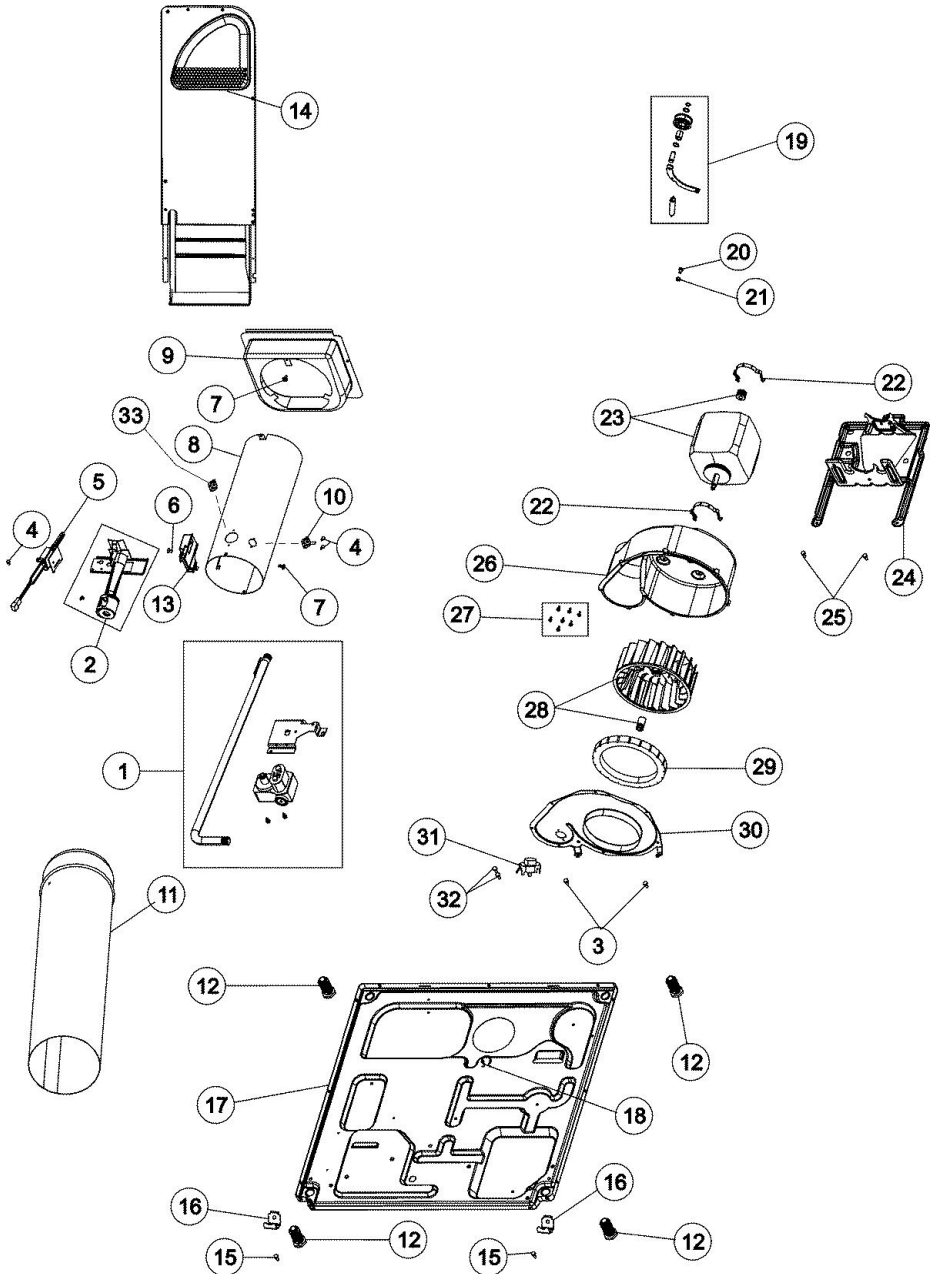


Secadora Maytag MDG508DAWW





Secadora Maytag MDG508DAWW

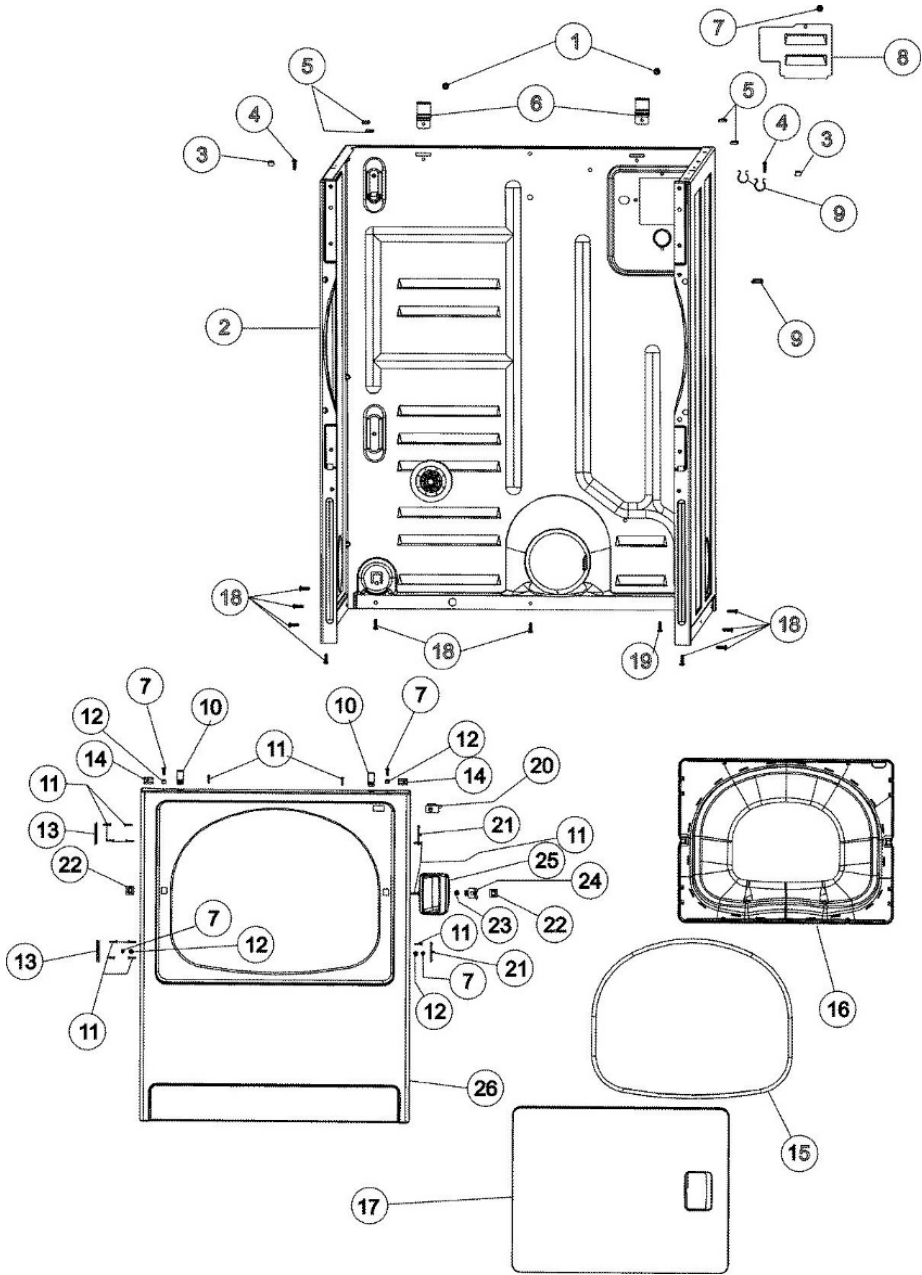
Guía	N.P.	Serie	Descripción
1	37001127	Series 10	VALVE & PIPE ASSY
2	649P3	Series 10	NATURAL TO LP CONVERSION KIT
2	650P3	Series 10	LP TO NATURAL CONVERSION KIT
2	Y56234	Series 10	ASSEMBLY, BURNER
4	WP8281196	Series 10	SCREW, INDENT HEX HEAD-
5	WP37001308	Series 10	IGNITER & BRACKET ASSEMBLY
6	WP3177991	Series 10	SCREW, 8B-18 X 1/4 HE
7	WP3390631	Series 10	SCREW
8	37001041	Series 10	DUCT, COMBUSTION
9	500122	Series 10	SHROUD, HEAT DUCT
10	489P3	Series 10	THERMOSTAT, LIMIT
11	505518	Series 10	DUCT, EXHAUST
12	Y500101	Series 10	LEG, LEVELING (PLASTIC)
13	338906	Series 10	SENSOR, FLAME
14	503605	Series 10	ASSEMBLY, HEATER DUCT
16	37001145	Series 10	CLIP, FRONT PANEL
17	37001156	Series 10	DRYER BASE
18	501034	Series 10	HOOD-OVEN-LPG
19	37001287	Series 10	ASSY, IDLER LEVER/SHAFT/PULLEY
20	500824	Series 10	SCREW, 1/4-20 UNC HEX
21	WPW10139757	Series 10	NUT, JAM MID LOCK 1/4-20
21	31260	Series 10	SCREW, No.8 X 3/8 IND H
22	WP660658	Series 10	CLAMP, MOTOR MOUNT
23	WP2200376	Series 10	MOTOR, PULLY
24	503613	Series 10	MOUNT, MOTOR
25	27001200	Series 10	SCREW (12-14X1/2 TYPE B
26	56020	Series 10	HOUSING, BLOWER



Secadora Maytag MDG508DAWW

Guía	N.P.	Serie	Descripción
28	56000	Series 10	ASSEMBLY, BLOWER FAN
29	37001119	Series 10	SEAL, BLOWER HOUSING
30	500078	Series 10	COVER, BLOWER HOUSING
31	37001136	Series 10	THERMOSTAT, CYCLING 146F
31	37001137	Series 12	THERMOSTAT, BIAS-HEATED
32	501086	Series 10	SCREW, 8B-18X3/8 SLT
33	40113801	Series 10	FUSE, THERMAL

Secadora Maytag MDG508DAWW

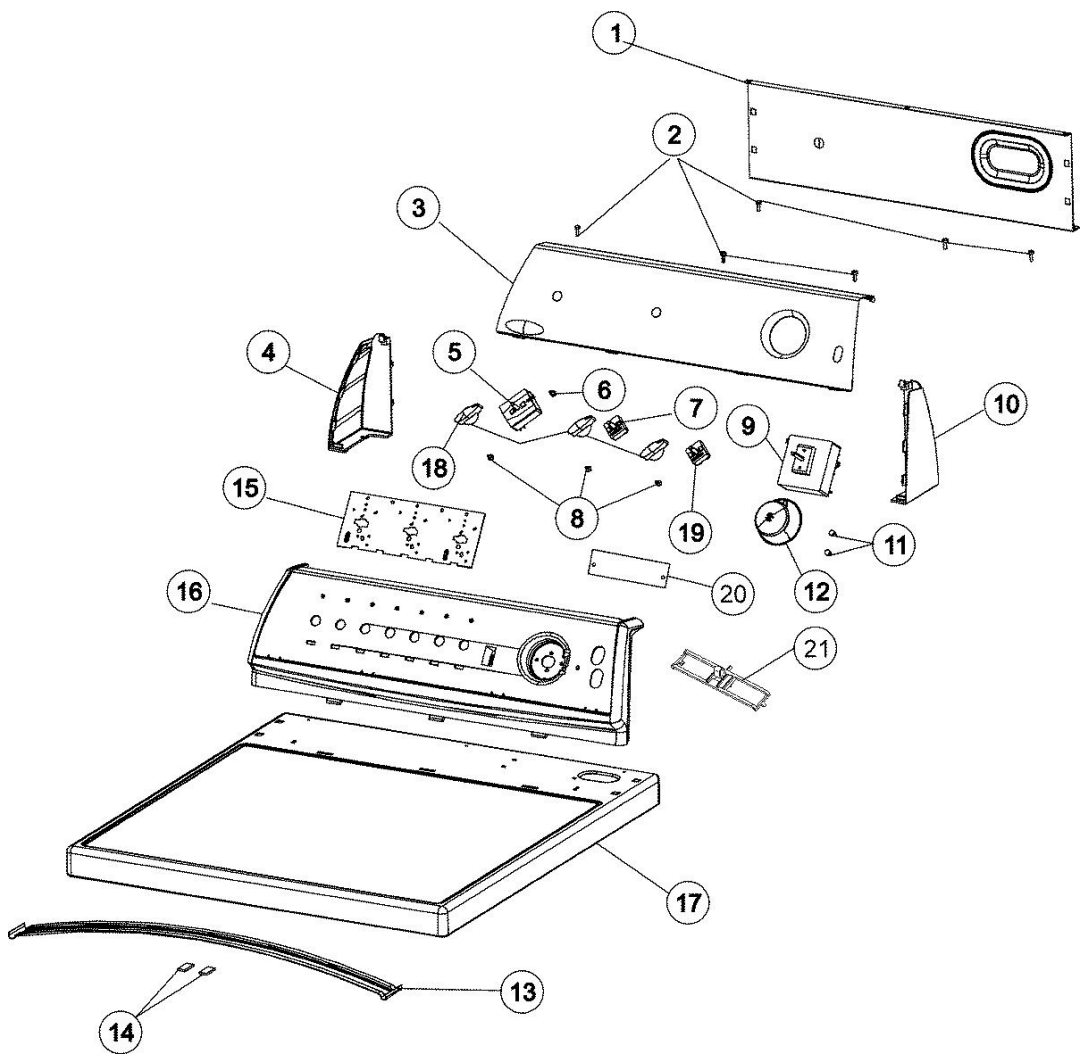




Secadora Maytag MDG508DAWW

Guía	N.P.	Serie	Descripción
1	WP3390631	Series 10	SCREW
2	37001155	Series 10	CABINET, WHITE/W/LOUVERS
3	505187	Series 10	LOCATOR, PANEL
5	Y56128	Series 10	PAD, BUMPER
6	500003	Series 10	HINGE, TOP
7	WPY014874	Series 10	SCREW, TAPPING
8	37001158	Series 10	PLATE, ACCESS COVER
9	504034	Series 10	CLIP, WIRE
10	25-7220	Series 10	CLIP, CABINET TOP
11	37001030	Series 10	SCREW, No.8AB-16X3/4 FH
13	Y503676	Series 10	HINGE, DOOR & TOP
14	213280	Series 10	FRONT PANEL BRACKET/FAST
15	W10856845	Series 10	SEAL, FRONT PANEL
16	37001028	Series 10	SEAL & LINER, ASSY(INNER DOOR)
17	37001029	Series 10	DOOR, DRYER (WHT)
18	27001200	Series 10	SCREW (12-14X1/2 TYPE B
19	WP3351614	Series 10	SCREW, 10-24X3/8 HEX
20	W10169313	Series 10	SWITCH, DOOR
21	503126	Series 10	PLUG, HINGE HOLE
22	LA-1003	Series 10	CATCH, DOOR
23	500039	Series 10	STRIKE, DOOR (METAL)
24	40116201	Series 10	BRACKET,DOOR STRIKE
25	33001241	Series 10	HANDLE, DOOR (WHT)
26	37001154	Series 10	FRONT PANEL - WHITE

Secadora Maytag MDG508DAWW



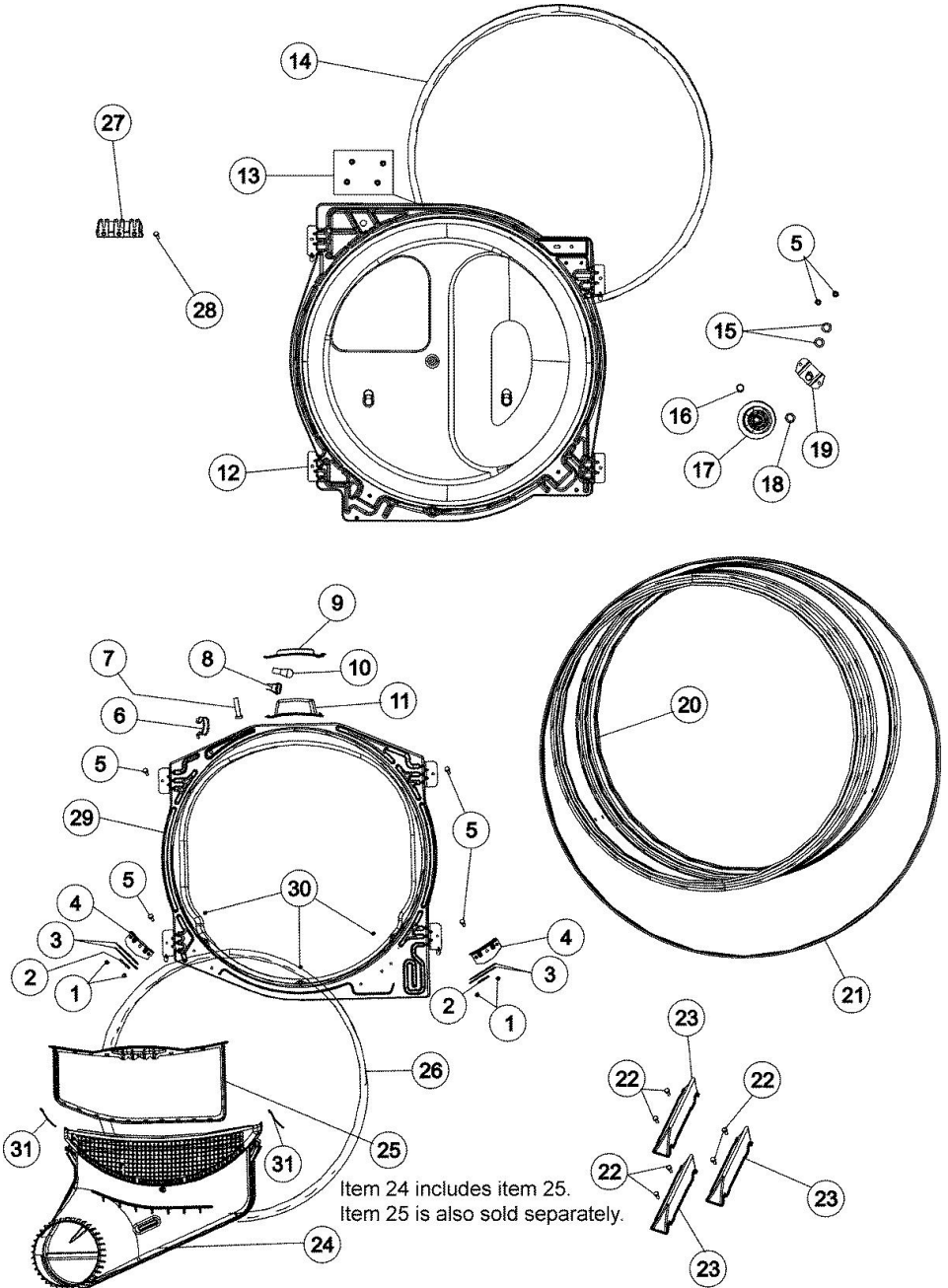
Guía	N.P.	Serie	Descripción
1	37001233	Series 10	SHIELD, BACKGUARD
2	WP3400888	Series 10	SCREW
3	37001207	Series 10	FACIA
3	37001306	Series 12	FACIA
4	21001519	Series 10	ENDCAP (WHT-LT)
5	37001165	Series 10	SWITCH, TEMP - 4 POSITION
7	31001190	Series 10	SWITCH, TWO POSITION ROTARY
7	31001397	Series 12	BUZZER
7	WP90767	Series 10	SCREW, 8B-18X3/8 SLT
8	31260	Series 10	SCREW, No.8 X 3/8 IND H
9	37001241	Series 10	TIMER - DRYER
10	21001523	Series 10	ENDCAP (WHT-RT)
11	WP489128	Series 10	SCREW, No.8-32X3/8`` HEX
12	31001567	Series 10	KNOB/SKIRT, TIMER
13	56486	Series 10	BRACE, TOP
14	500121	Series 10	PAD, FELT-COIN
15	21001603	Series 10	SHIELD, CONTROL (3 POS.)
16	21001965	Series 10	FRAME, CONTROL PANEL, SUPPORT
16	21002246	Series 10	SUPPORT,CONTROL,CONSOLE
17	37001232	Series 10	COVER, TOP - WHITE/DRYER
18	21002070	Series 10	KNOB, SELECTOR
20	33001212	Series 10	BOARD, CONTROL-MOISTURE
21	31001507	Series 10	BRACKET, CIRCUIT BOARD
22	33001848	Series 10	SIGNAL, END OF CYCLE (CHIME)

Distribuidor Autorizado

SurteRápido.com

Venta de Refacciones
Electrodomesticas

Secadora Maytag MDG508DAWW



Item 24 includes item 25.
Item 25 is also sold separately.



Secadora Maytag MDG508DAWW

Guía	N.P.	Serie	Descripción
1	WP489128	Series 10	SCREW, No.8-32X3/8`` HEX
2	500121	Series 10	PAD, FELT-COIN
3	WP37001298	Series 10	GLIDE,CYLINDER(TAN)
4	37001036	Series 10	BRACKET, CYLINDER GLIDE
5	WP27001200	Series 10	SCREW, 10-16X.44 UNS
6	504034	Series 10	CLIP, WIRE
7	W10815455	Series 10	SCREW, No.8AB-16X3/4 PH
8	504458	Series 10	HOLDER, LAMP
9	40094301	Series 10	LENS, LIGHT
10	W10857122	Series 10	LIGHT, CYLINDER
11	503622	Series 10	HOUSING, CYLINDER LIGHT
12	504801W	Series 10	BULKHEAD, REAR (WHT)
13	WP3390631	Series 10	SCREW
15	WP233520	Series 10	WASHER, 501 ID X3/4 ODX
16	23748	Series 10	RING, RETAINING
17	37001042	Series 10	ASSEMBLY, CYLINDER ROLLER
18	Y504082	Series 10	WASHER, WAVE
19	40113601	Series 10	ASSY, ROLLER BRKT
20	37001162	Series 10	ASSEMBLY, CYLINDER (STAINLESS)
21	40111201	Series 10	BELT, CYLINDER
22	Y62588	Series 10	SCREW, 10BT-12 X 1 TAP
23	37001125	Series 10	BAFFLE, (WHT)
24	37001141	Series 10	AIR DUCT ASSEMBLY
25	37001142	Series 10	FILTER, LINT
26	37001132	Series 10	SEAL, CYLINDER
27	61923	Series 10	BLOCK, TERMINAL
27	WP3400094	Series 10	SCREW, No.10-32 X 3/8



Secadora Maytag MDG508DAWW

Guía	N.P.	Serie	Descripción
28	501285	Series 10	SCREW, No.12 X 9/16
29	503616W	Series 10	ASSY, BLKHD FRONT LIT (WHT)
30	37001030	Series 10	SCREW, No.8AB-16X3/4 FH
31	40012001	Series 10	CLIP, RETAINING HARNESS
31	503625	Series 10	SENSOR, MOISTURE