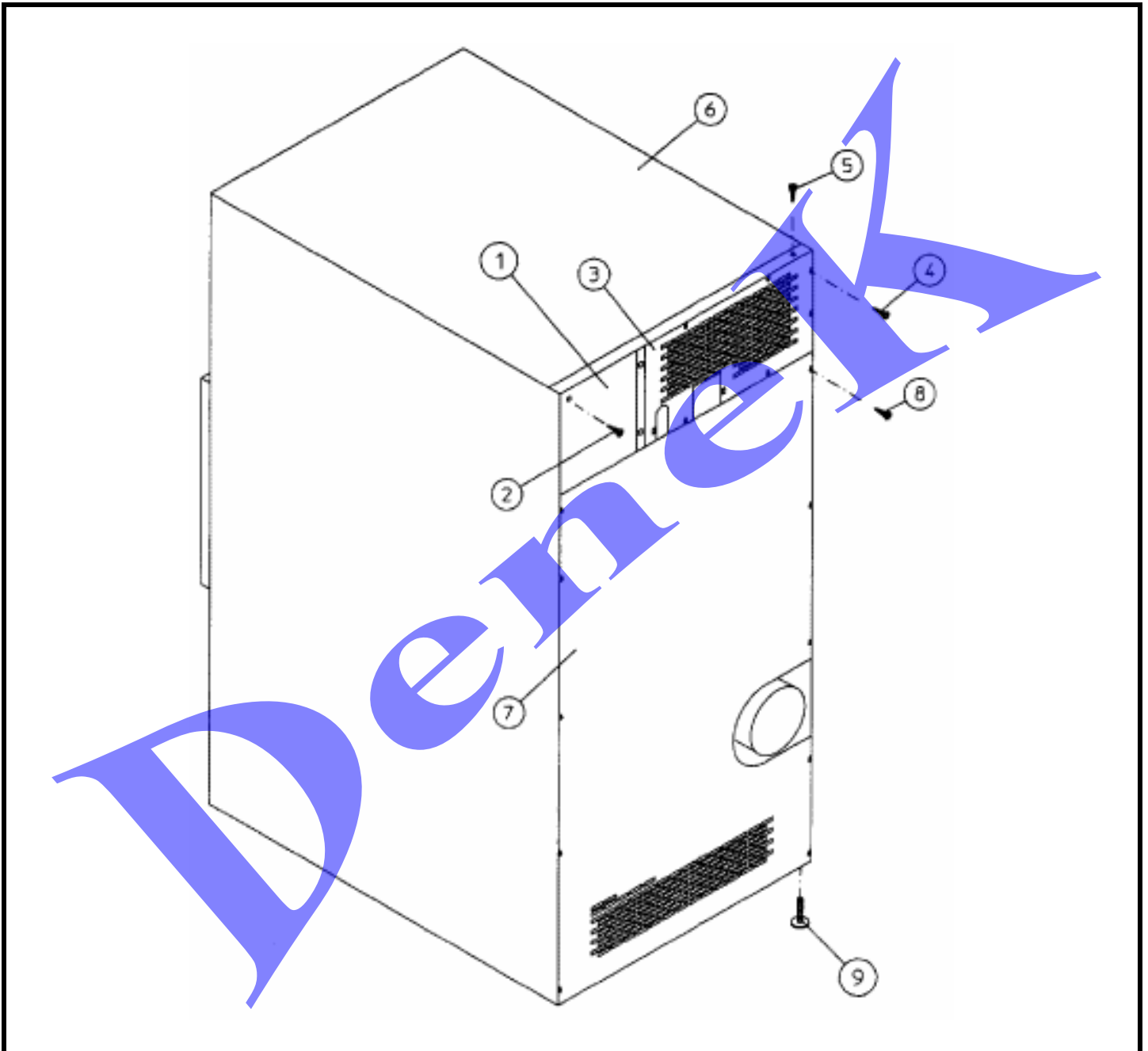


MAYTAG MDG50MNAWW

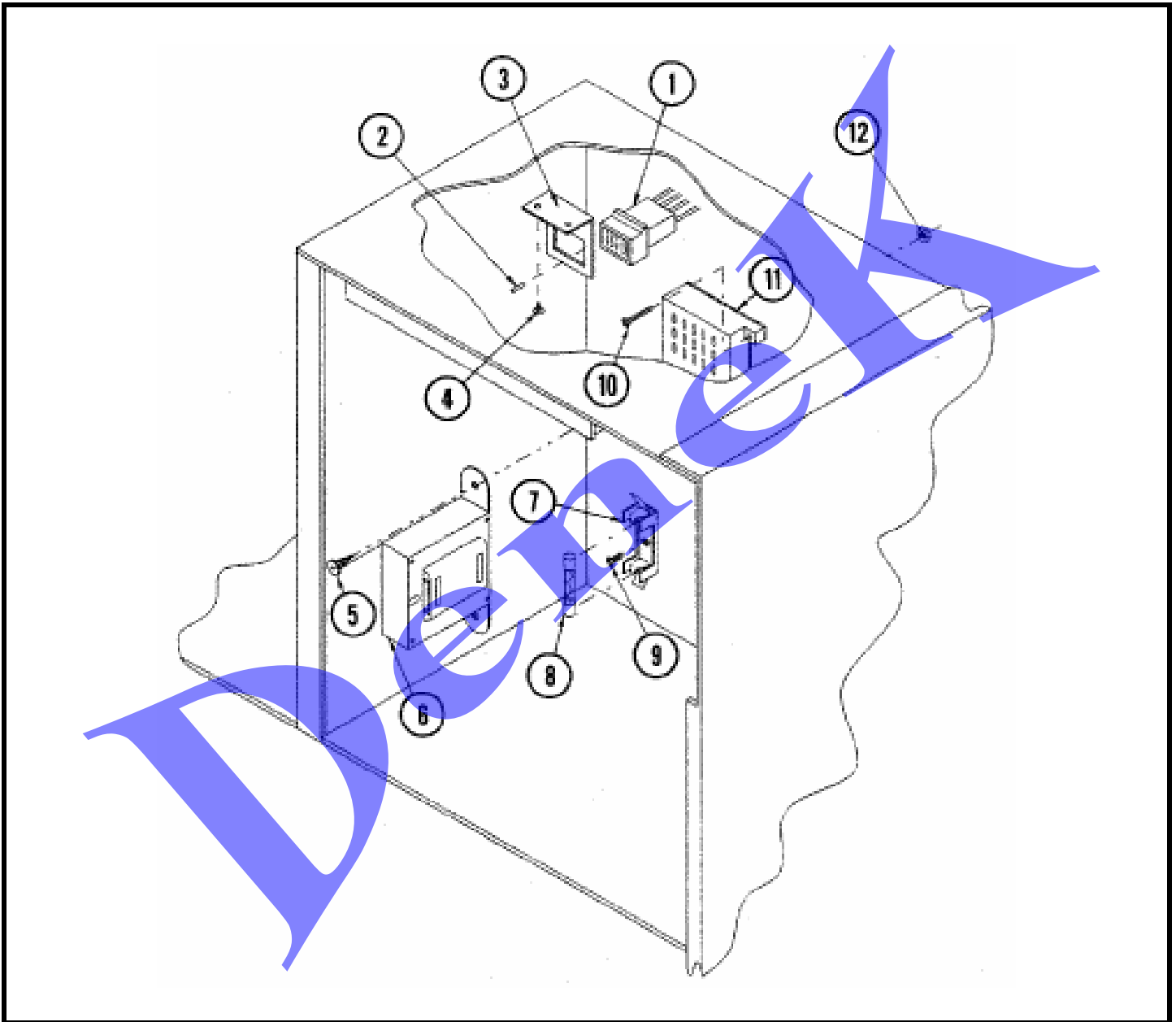
CABINET



0	-----	NOT REQUIRED PART OR SEE NOTE
1	A322809	COVER, ELECTRICAL BOX (REAR)
2	A150301	SCREW, TEK (#8-18 X 7/16 PH
3	A314411	TOP, BACKGUARD
4	A150301	SCREW, TEK (#8-18 X 7/16 PH
5	A150301	SCREW, TEK (#8-18 X 7/16 PH
6	A312533	GUARD, TOP (OUTER)
7	A314512	BACKGUARD BOTTOM
8	A150301	SCREW, TEK (#8-18 X 7/16 PH
9	A103500	LEG, LEVELING (ADJUSTABLE)

MAYTAG MDG50MNAWW

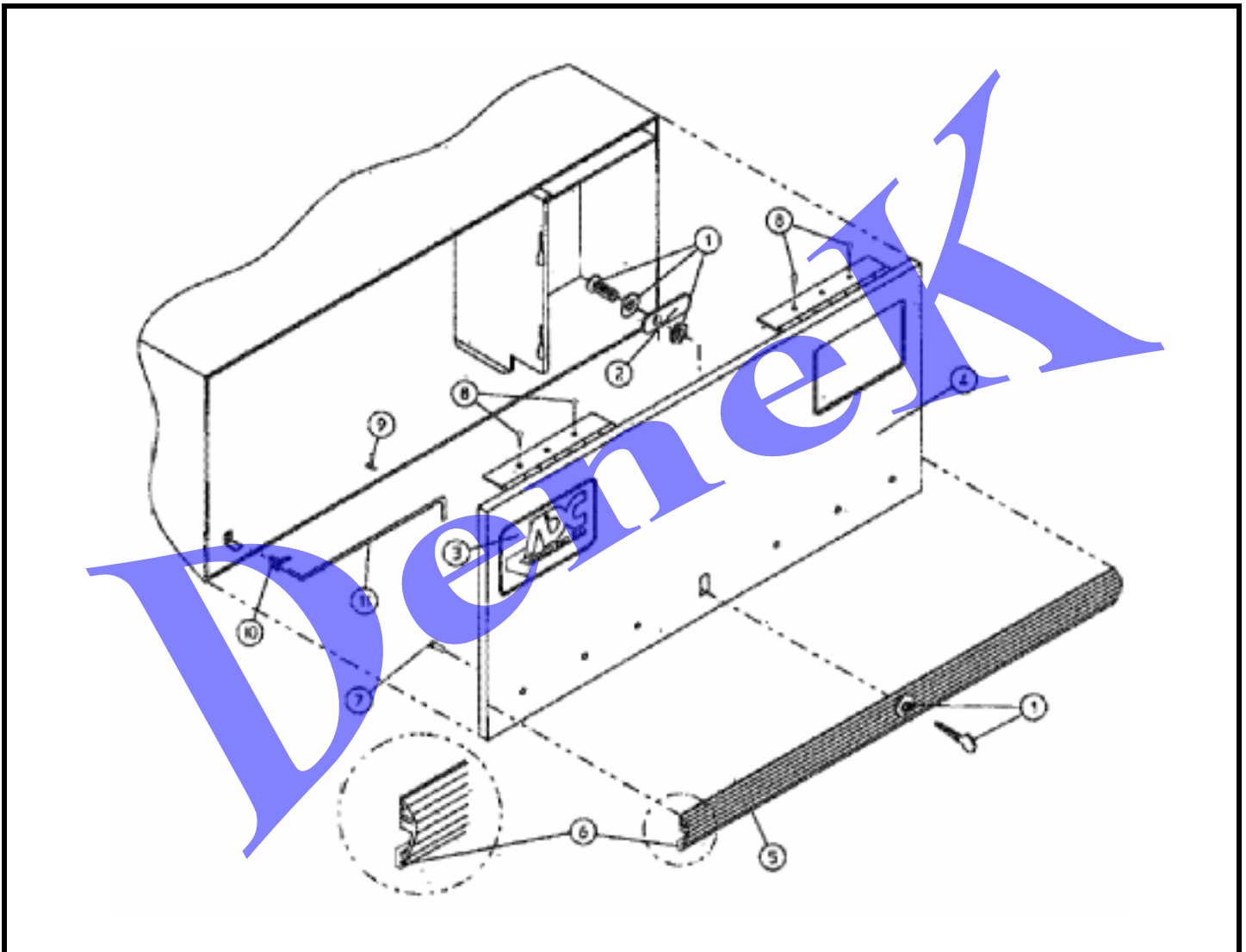
CONTROL BOX ASSEMBLY



0	-----	NOT REQUIRED PART OR SEE NOTE
1	A122603	CONNECTOR, (9-PIN SOCKET)
2	A122701	TERMINAL, SOCKET (ONLY)
2	A122801	TOOL, EXTRACTION (PIN/SOCKET)
3	A315010	BRACKET (9-PIN CONNECTOR)
4	A150300	SCREW (#10-32 X 1/2" PH ROUND
5	A150300	SCREW (#10-32 X 1/2" PH ROUND
6	A141403	TRANSFORMER (DSI 24 VAC)
10	A150002	SCREW, MACHINE (RD.HD.)
11	A120715	BLOCK, TERMINAL (30-POSITION)
12	A151000	PAL NUT (#6-32)

MAYTAG MDG50MNAWW

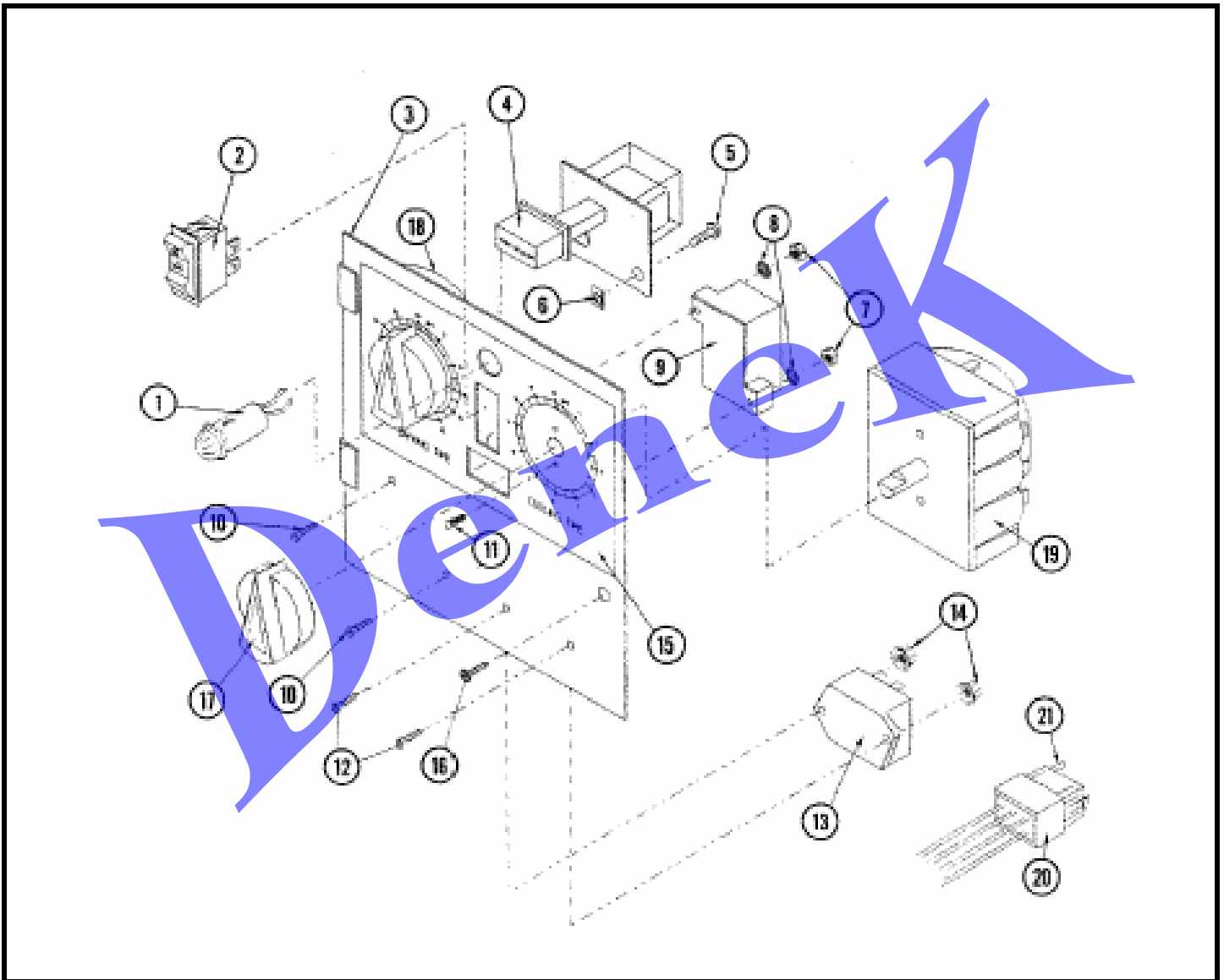
CONTROL DOOR ASSEMBLY



0	-----	NOT REQUIRED PART OR SEE NOTE
1	A160017	LOCK, SPECIAL DUMMY
2	A160032	CAM, LOCK
3	A870011	TAPE KIT (DOUBLE SIDED)
3	A112343	LOGO, MAYTAG (ONLY)
4	A800022	CONTROL DOOR ASSEMBLY
5	A180201	TRIM STRIP, TOP W/ LOCK HOLE
6	A117603	TAPE, SUPPRESSOR
7	A150201	SCREW, MACHINE (#10-32 X 1/4")
8	A150300	SCREW (#10-32 X 1/2" PH ROUND
9	A102600	CATCH, ROD SUPPORT-CTRL. DOOR
10	A102603	CATCH, ROD SUPPORT-CTRL. DOOR
11	A102502	ROD, SUPPORT (CONTROL DOOR)

MAYTAG MDG50MNAWW

CONTROL PANEL ASSEMBLY

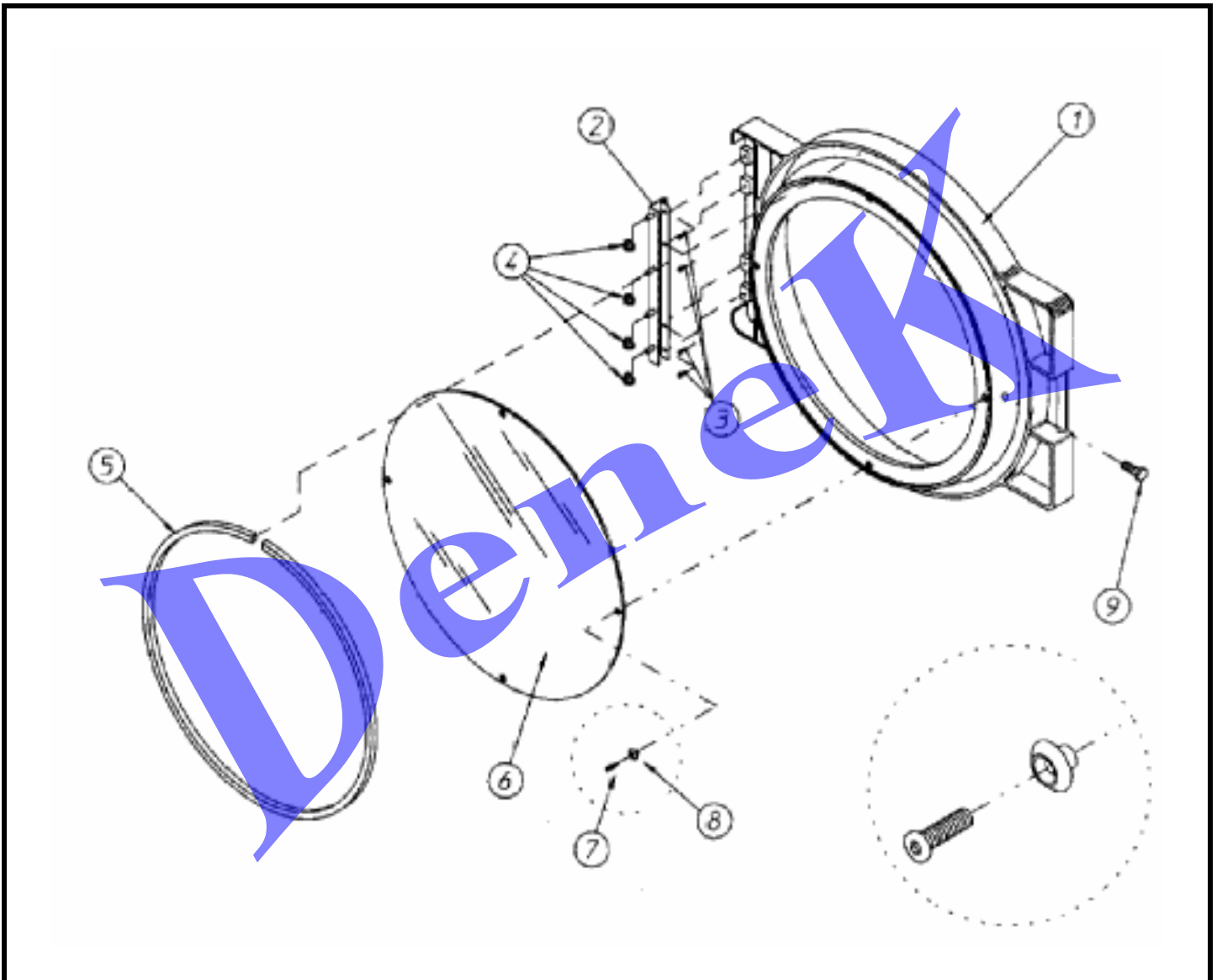


0	-----	NOT REQUIRED PART OR SEE NOTE
1	A123005	LIGHT, INDICATOR RED (24V)
2	A122400	SWITCH, HEAT SELECTOR ROCKER
3	A800051	PANEL, CONTROL
3	A824015	CONTROL PANEL ASSEMBLY
4	A131917	RELAY, PUSH TO START (24V)
5	A150207	SCREW, MACHINE (#10-24X1/2'RND
6	A154001	NUT, SPEED (#10-24)
7	A152000	NUT, HEX (#6-32)
8	A153010	WASHER, STAR (#6)
9	A120730	BLOCK, TERMINAL (30 POS)
10	A150002	SCREW, MACHINE (RD.HD.)
11	A150110	SCREW (#8-32 X 1/4")

12	A150001	SCREW, MACHINE (#6-32 X 1/2")
13	A131931	RELAY - 24VAC
14	A151000	PAL NUT (#6-32)
15	A112050	LABEL (DUAL TIMER)
16	A150309	SCREW, CRIMPTITE
17	A124103	KNOB, TIMER
18	A124025	TIMER (60 MIN)
19	A124030	TIMER (15 MIN)
20	A122602	CONNECTOR ONLY (9-PIN)
21	A122700	TERMINAL, PIN
22	A122801	TOOL, EXTRACTION (PIN/SOCKET)

MAYTAG MDG50MNAWW

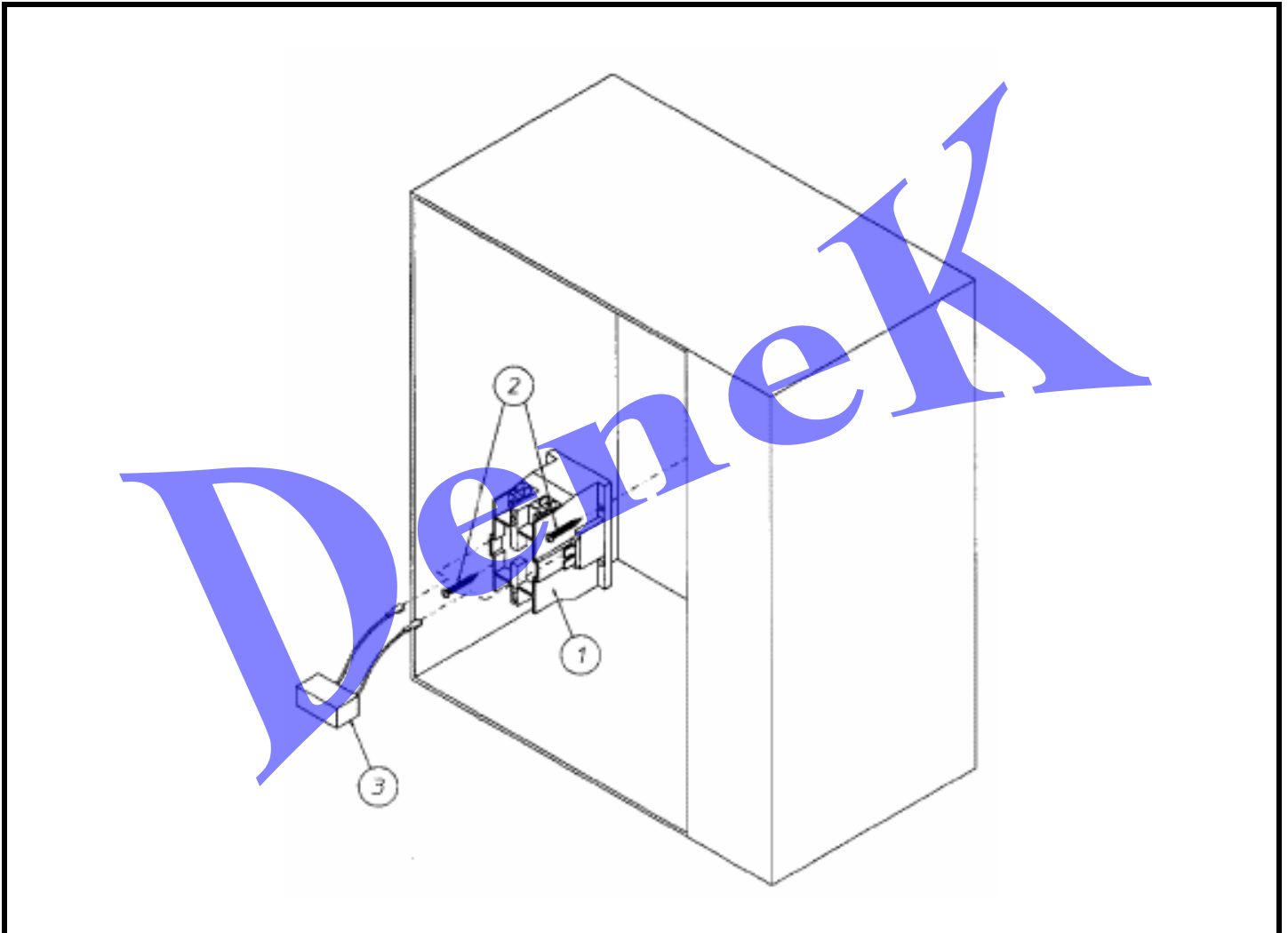
DOOR ASSEMBLY



0	-----	NOT REQUIRED PART OR SEE NOTE
1	A103062	HINGE PIN
1	A882963	DOOR FRAME (METAL)
1	A881422	DOOR ASSY. (LESS HINGE ASSY)
1	A881421	DOOR ASSEMBLY COMPLETE (GRAY)
2	A800448	HINGE, MAIN DOOR (12 1/2")
3	A150309	SCREW, CRIMPTITE
4	A152014	NUT, FREE SPIN WASH (#20-1/4)
5	A102349	GASKET, DOOR
6	A102212	GLASS, DOOR (20-7/16")
6	A170730	ADHESIVE, DOOR GLASS (10.3 OZ)
7	A150448	SCREW, S.S. (1/2")
8	A170319	SPACER, DOOR GLASS
9	A150431	SCREW (#10 X 7/16" DOME HD)

MAYTAG MDG50MNAWW

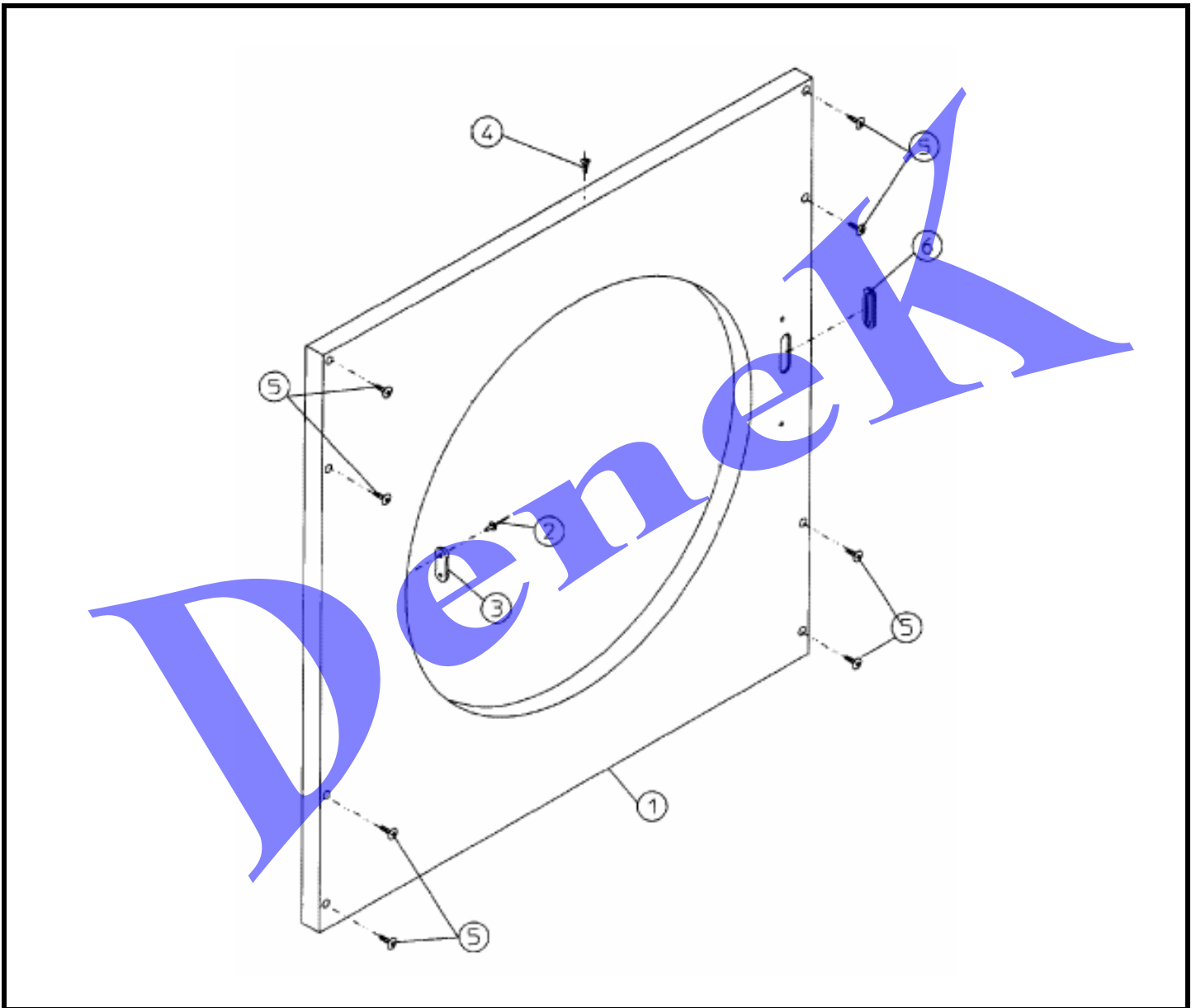
ELECTRICAL RELAY PANEL ASSEMBLY



0	-----	NOT REQUIRED PART OR SEE NOTE
1	A132475	CONTACTOR
2	A150299	SCREW, TEK (#10 X 1")
3	A150301	SCREW, TEK (#8-18 X 7/16 PH
3	A322809	COVER, ELECTRICAL BOX (REAR)
3	A824828	RC NETWORK W/CONNECTOR

MAYTAG MDG50MNAWW

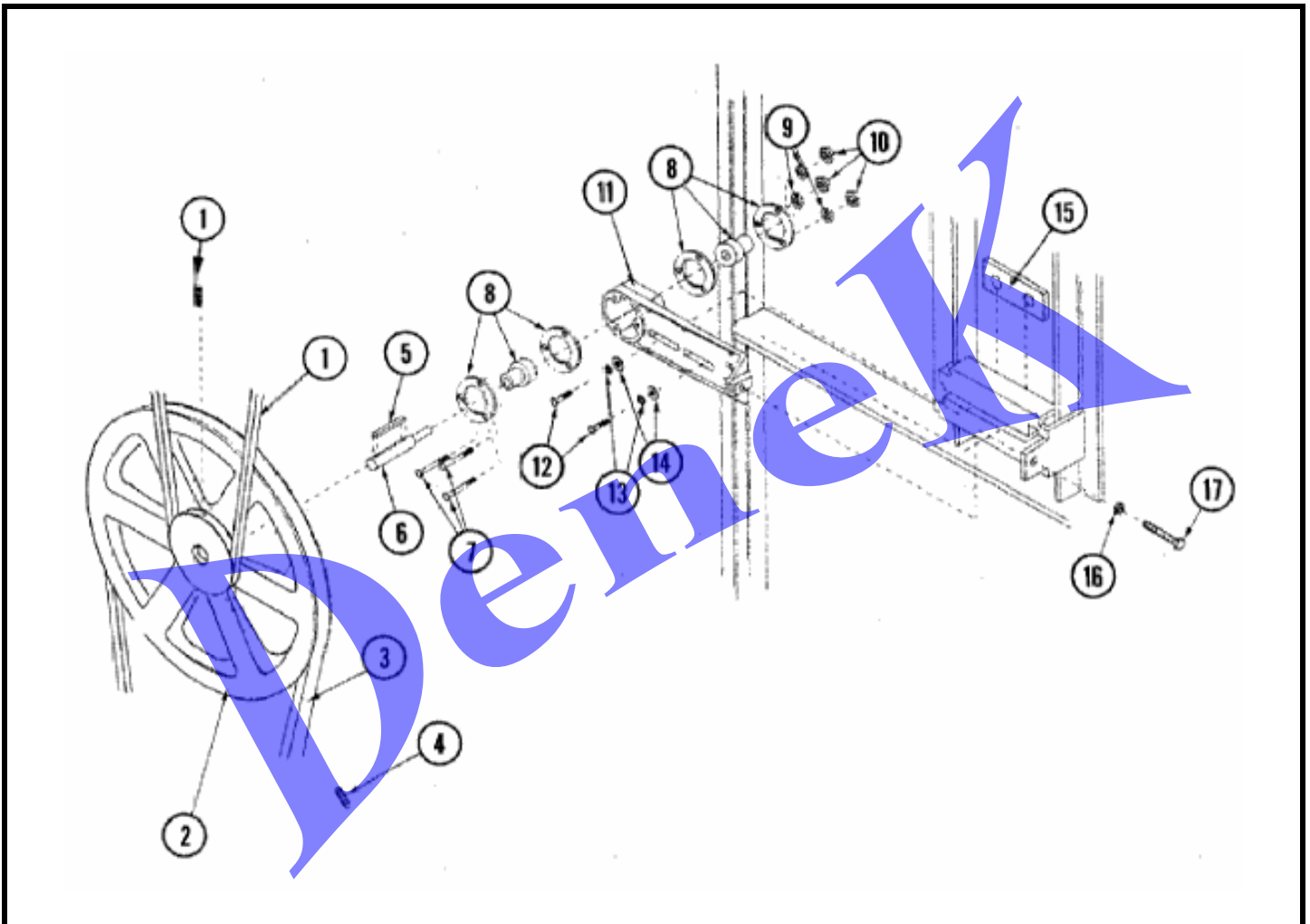
FRONT PANEL ASSEMBLY



0	-----	NOT REQUIRED PART OR SEE NOTE
1	A875301	FRONT PANEL ASSY. COMPLETE
2	A154215	RIVET, POP (5/32")
3	A170330	LATCH, DOOR (FRICTION)
4	A150300	SCREW (#10-32 X 1/2" PH ROUND)
5	A150309	SCREW, CRIMPTITE
6	A121405	GROMMET, RUBBER

MAYTAG MDG50MNAWW

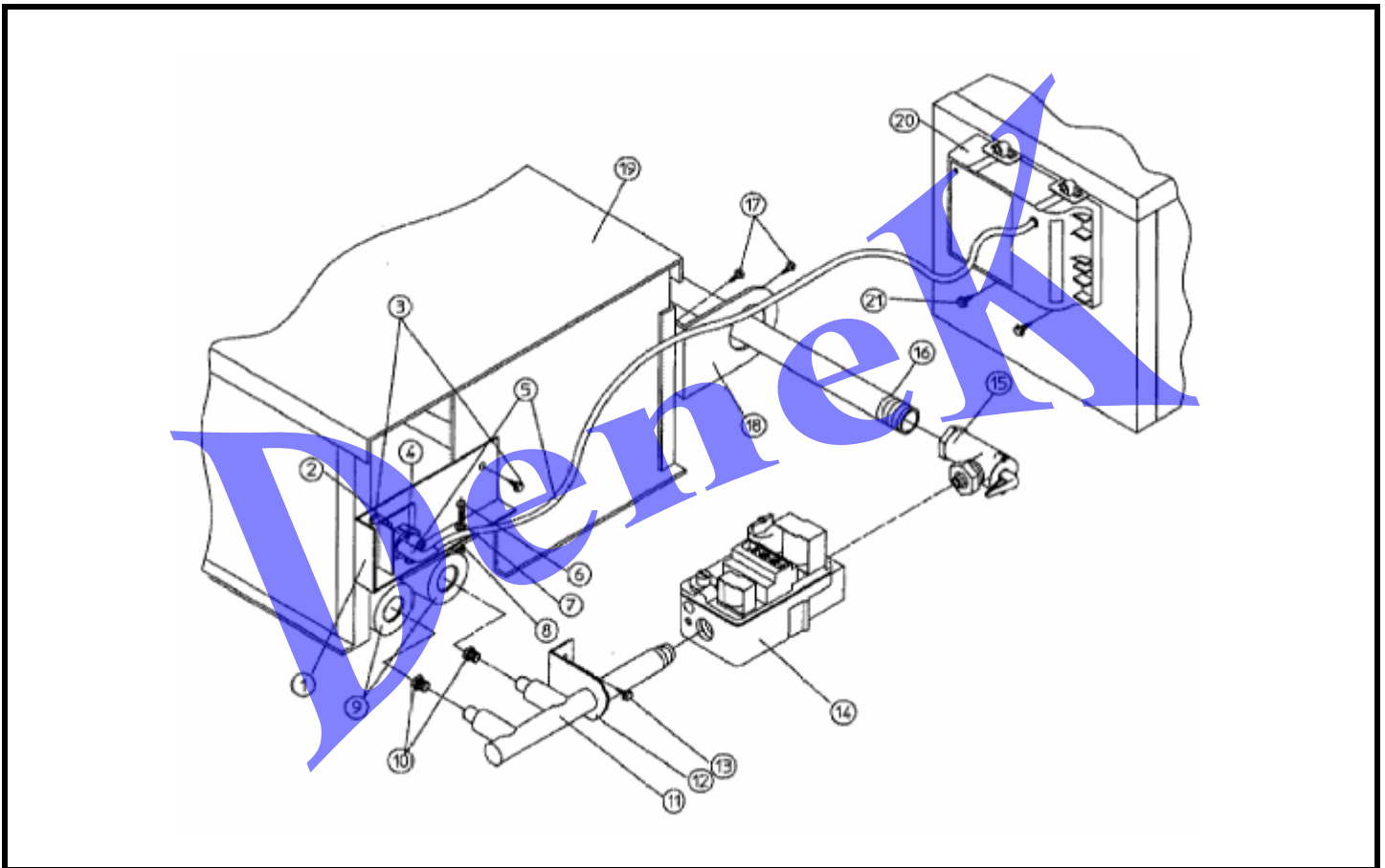
IDLER BEARING ASSEMBLY



0	-----	NOT REQUIRED PART OR SEE NOTE
1	A100108	V-BELT, IDLER TO TUMB. (5L680)
2	A101129	PULLEY W/KEY(9" X 2 1/2")
3	A100110	BELT, IDLER (4L500 V)
4	A154301	SCREW, ALLEN (#18-5/16 X 5/16)
5	A100705	KEY (3/16" X 3/16" X 1-3/8")
6	A301850	SHAFT, IDLER (5/8" X 3/4")
7	A152002	HEX NUT (#20-1/4")
8	A153007	WASHER, LOCK (1/4")
9	A880214	BEARING, FLANGE (5/8)
10	A150521	BOLT, CARRIAGE (#20-1/4 X 2")
11	A801007	IDLER BEARING ASSEMBLY
12	A150617	BOLT, MACHINE (#16-3/8 X 1")
13	A153005	WASHER, LOCK (3/8")
14	A153004	WASHER, FLAT (3/8")
15	A801009	WASHER, IDLER (SQ)
16	A152004	NUT, HEX (#18-5/16)
17	A150509	BOLT, MACHINE (5/16-18 X 3")

MAYTAG MDG50MNAWW

IGNITION & BURNER ASSEMBLY

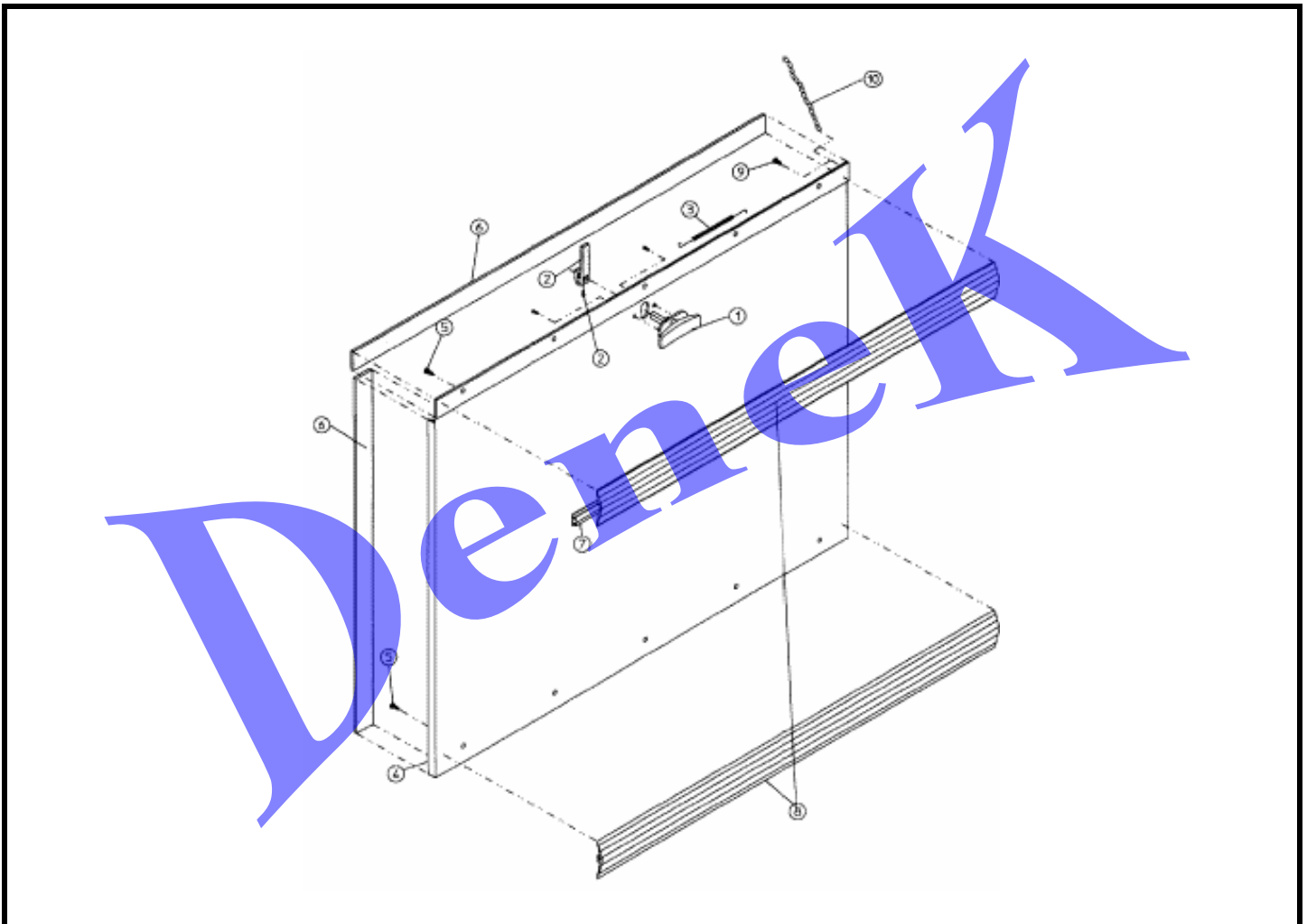


0	-----	NOT REQUIRED PART OR SEE NOTE
1	A318030	SHIELD, DSI BURNER
2	A150300	SCREW (#10-32 X 1/2" PH ROUND
3	A150415	SCREW, CRIMPTITE (PH. RD.HD.)
4	A880134	IGNITER/FLAME PROBE KIT ASSY.
4	A128915	DSI IGNITER & FLAME PROBE ONLY
5	A880330	CONNECTOR, IGNITOR HV WIRE
6	A150103	SCREW, MACHINE (#8-32 X 3/4"
7	A153000	STEEL BURR (#8)
8	A151001	NUT, PAL (#8-32)
9	A141105	BURNER, TUBE (LARGE)
10	A140827	ORIFICE, BURNER (NAT)
10	A140854	ORIFICE, BURNER (LP)
11	A141230	1/2" DSI MANIFOLD (2 PORT)
12	A318700	BRACKET, PIPE (BENT)
13	A150300	SCREW (#10-32 X 1/2" PH ROUND
14	A140411	CONVERSION KIT, GAS VALVE
14	A128927	VALVE, REDUNDANT (1/2" 24VAC)
14	A880960	VALVE,GAS 1/2" 24 VAC,(LP)
15	A881367	UNION, SHUT-OFF (1/2")

15	A142506	ELBOW, STREET (1/2" X 1/2")
15	A142600	UNION (1/2")
15	A142707	NIPPLE (1/2" X 1-1/2")
16	A142809	PIPE (1/2" X 29 1/8")
17	A150309	SCREW, CRIMPTITE
18	A318700	BRACKET, PIPE (BENT)
19	A809625	BURNER ASSEMBLY COMP. (NAT)
19	A809626	BURNER ASSEMBLY COMP. (LP)
19	A850851	BURNER BOX ASSEMBLY
20	A880815	MODULE, DSI
20	A815724	ASSY, BRACKET
20	A128935	MODULE (DSI)
20	A128937	MODULE (DSI)
21	A150299	SCREW, TEK (#10 X 1")
22	A410001	WRENCH, ALLEN (1/2")
23	A874044	LP CONVERSION KIT

MAYTAG MDG50MNAWW

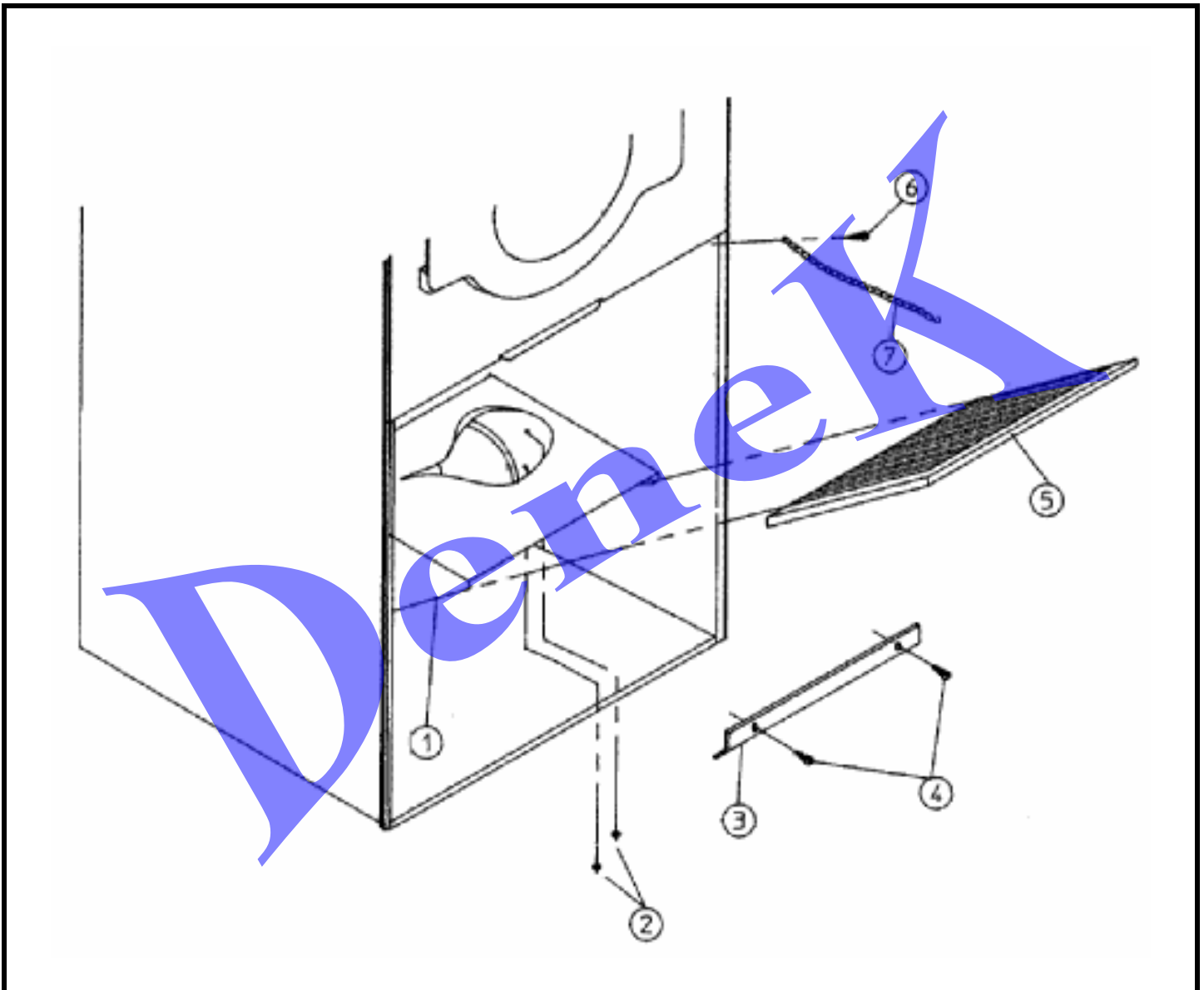
LINT DOOR ASSEMBLY



0	-----	NOT REQUIRED PART OR SEE NOTE
1	A160003	DUMMY LOCK (NON COIN)
1	A160104	KEY, LOCK (MK-100/MASTER KEY)
1	A800150	KNOB LATCH KIT ASSY.
2	A160009	KNOB LATCH ADJUSTABLE CAM
2	A150425	MACHINE SCREW (#12-24 X 3/8"
3	A157000	DROP LINT DOOR SPRING
4	A800232	DROP LINT DOOR ASSY. (INSUL)
5	A150201	SCREW, MACHINE (#10-32 X 1/4"
6	A117604	TAPE, FOAM (SOLD IN FEET)
7	A117603	TAPE, SUPPRESSOR
8	A180211	TRIM/KICKPLATE
9	A150418	TOOL, HAND DRIVER
9	A150419	SCREW, TEK (#6 X 1/2")
10	A108120	CHAIN, LINT DOOR (10 1/2")

MAYTAG MDG50MNAWW

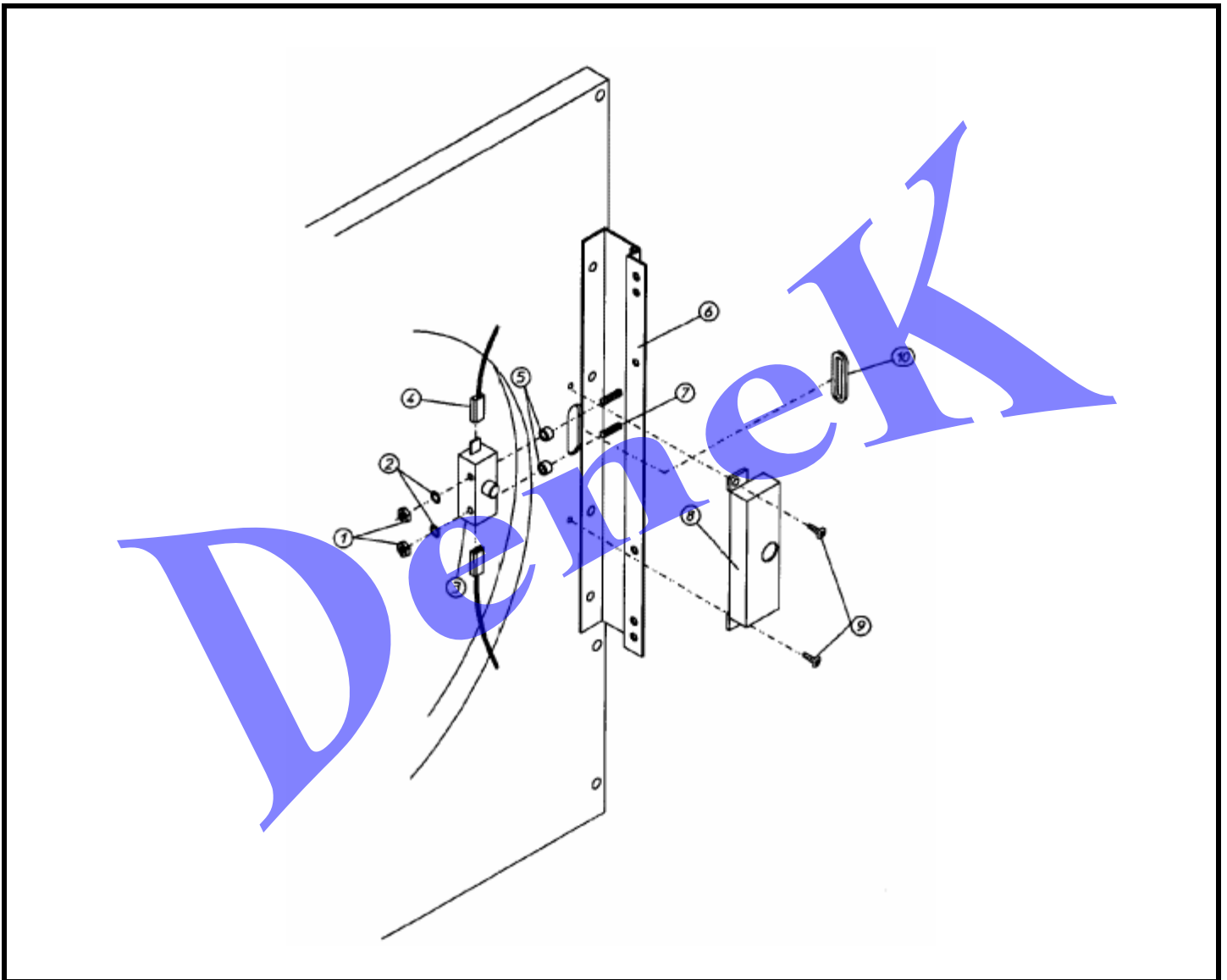
LINT TRAP ASSEMBLY



0	-----	NOT REQUIRED PART OR SEE NOTE
1	A800402	LINT TRAP ASSY. COMPLETE
1	A800404	LINT TRAP ONLY
2	A154200	POP RIVET (5/32")
3	A304101	LINT SCREEN HOLDER
4	A150300	SCREW (#10-32 X 1/2" PH ROUND
5	A800501	LINT SCREEN
6	A150418	TOOL, HAND DRIVER
6	A150419	SCREW, TEK (#6 X 1/2")
7	A108120	CHAIN, LINT DOOR (10 1/2")

MAYTAG MDG50MNAWW

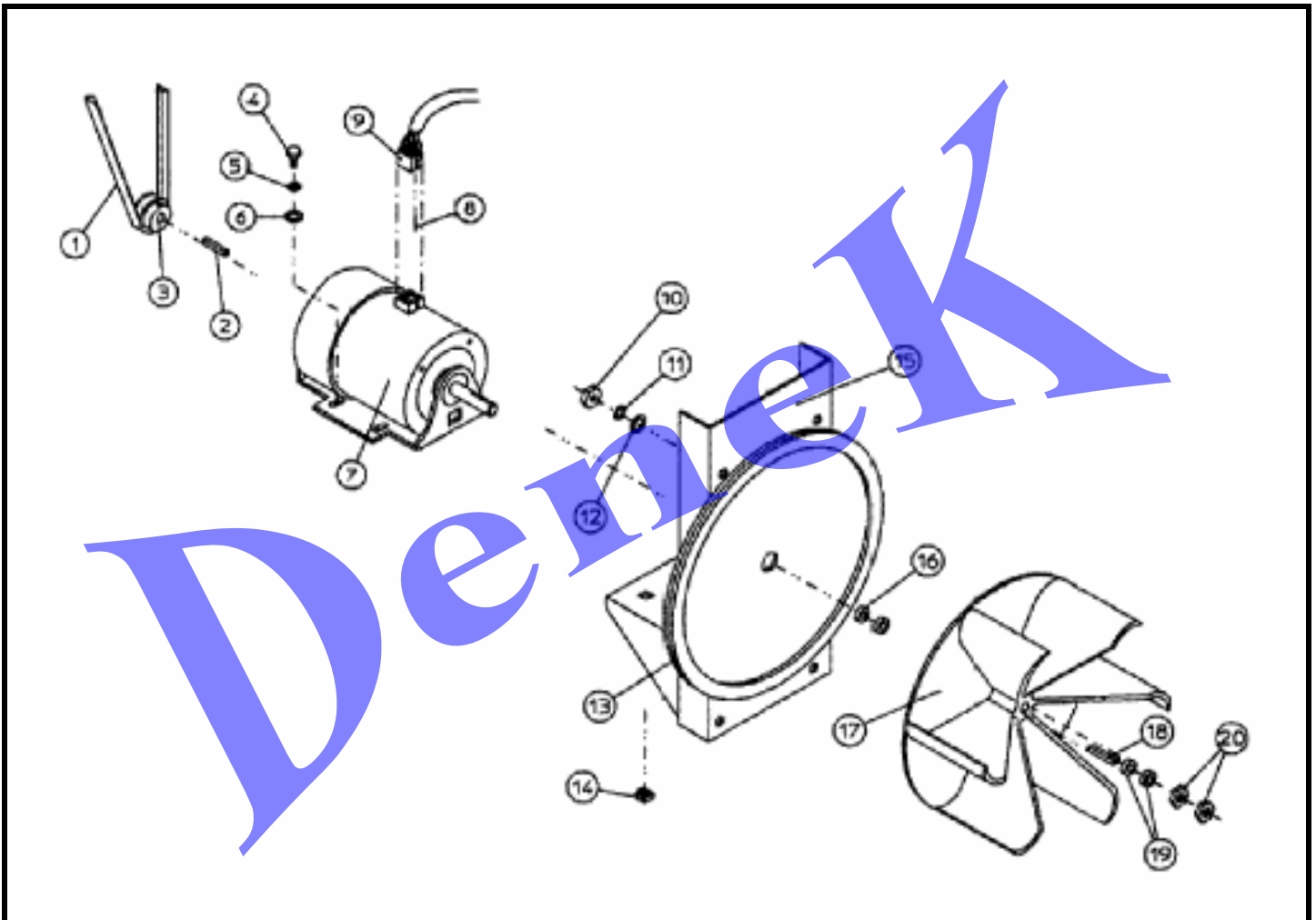
MAIN DOOR SWITCH ASSEMBLY



0	-----	NOT REQUIRED PART OR SEE NOTE
1	A152013	NUT, HEX (#6-32)
2	A153008	WASHER, SPLIT LOCK (#6)
3	A137005	SWITCH, DOOR (SINGLE POLE)
4	A121028	TERMINAL, 1/4" INSUL. (FEMALE)
5	A154281	SPACER, NYLON (3/8")
6	A800448	HINGE, MAIN DOOR (12 1/2")
7	A153565	STUD, SELF-CLINCHING (#6-32X1)
8	A313218	HOUSING, MAIN DOOR SWITCH
9	A150201	SCREW, MACHINE (#10-32 X 1/4")
10	A121405	GROMMET, RUBBER

MAYTAG MDG50MNAWW

MOTOR & MOUNT ASSEMBLY

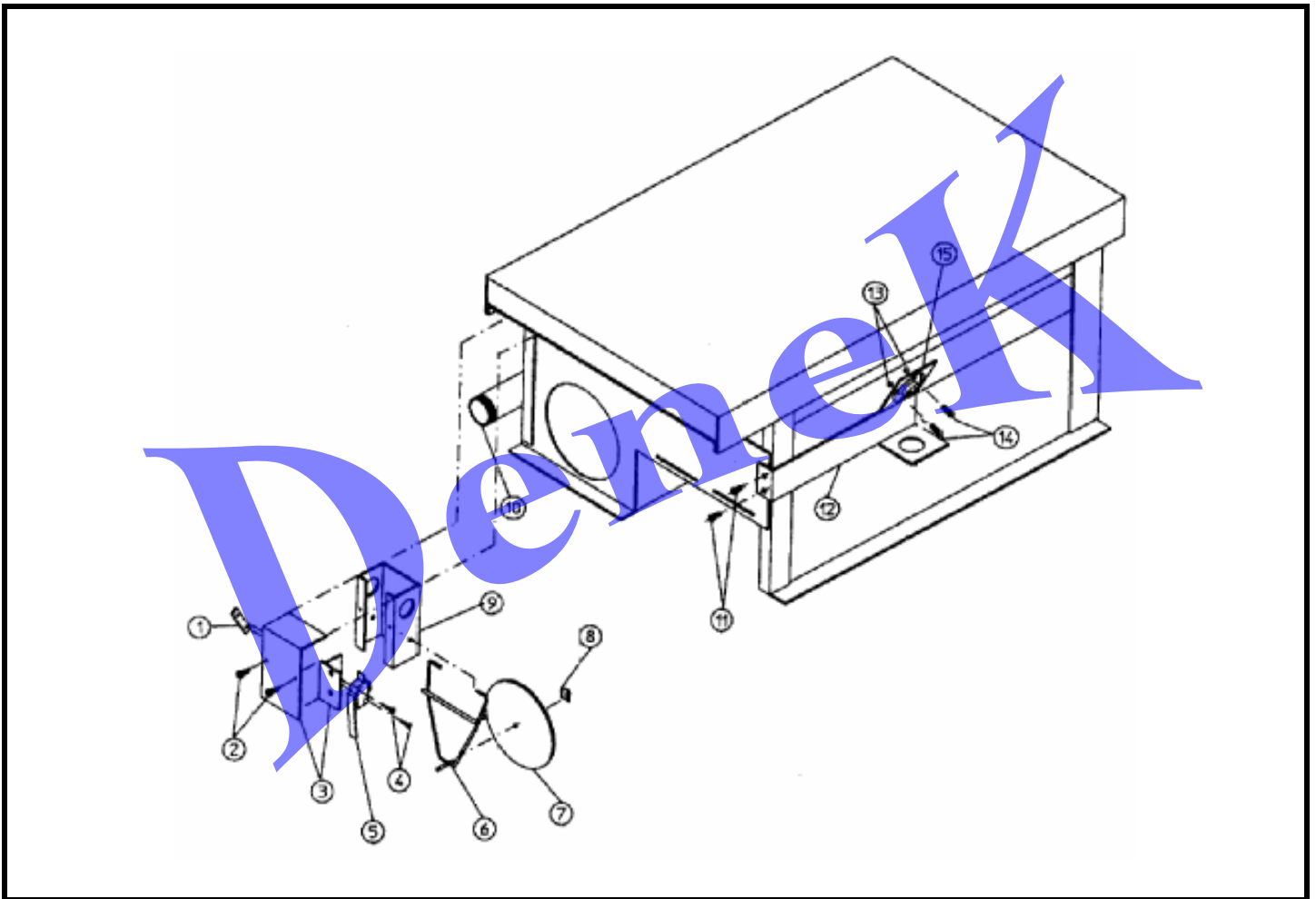


0	-----	NOT REQUIRED PART OR SEE NOTE
1	A100112	4L610 "V" BELT-IDLER TO MOTOR
2	A100701	KEY (3/16" X 3/16")
3	A101130	MOTOR PULLEY (60HZ ONLY)
4	A150501	BOLT, MACHINE (#18-5/16 X 3/4)
5	A153002	WASHER, LOCK (5/16")
6	A153001	WASHER, FLAT (5/16")
7	A100007	MOTOR (1/2HP 208/230/380/460V)
7	A100033	3/4HP 115/230V 10MOTOR FRAME
7	A100069	3/4 HP 115V 10 MOTOR W/PLUG 56
8	A122701	TERMINAL, SOCKET (ONLY)
8	A122801	TOOL, EXTRACTION (PIN/SOCKET)
9	A137030	HOUSING (8 PIN)
10	A152004	NUT, HEX (#18-5/16)
11	A153002	WASHER, LOCK (5/16")
12	A153001	WASHER, FLAT (5/16")
13	A117604	TAPE, FOAM (SOLD IN FEET)

14	A154000	NUT (#18-5/16")
15	A800905	MOTOR MOUNT
15	A803972	MOTOR MOUNT ASSEMBLY
15	A803988	MOTOR MOUNT ASSEMBLY
16	A153051	WASHER, FLAT (3/4" S.A.E.)
17	A100604	IMPELLOR (12 1/2" W/ 1/2 BORE)
18	A100714	KEY (3/16" X 3/16" X 1 7/8")
20	A152006	NUT, JAM (#20-1/2" LT-HAND)

MAYTAG MDG50MNAWW

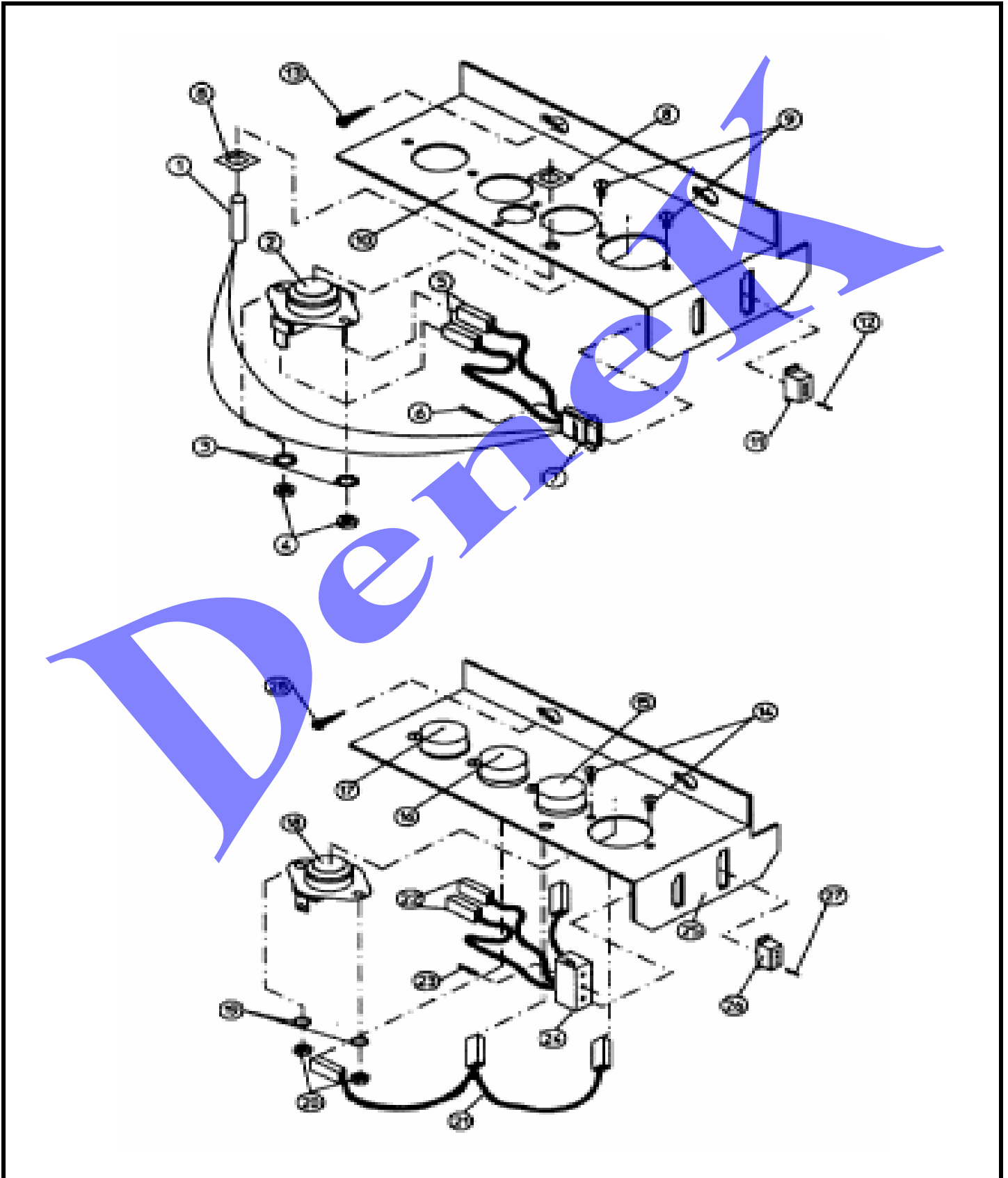
SAIL SWITCH/HI-LIMIT ASSEMBLY



0	-----	NOT REQUIRED PART OR SEE NOTE
1	A154004	NUT, TWIN SPEED
2	A150309	SCREW, CRIMPTITE
3	A802799	COVER, SAIL SWITCH BOX W/BRKT.
4	A150303	SCREW (#4 X 3/4")
5	A122200	SWITCH, SAIL
6	A105500	ROD, SAIL SWITCH ACTUATOR
7	A319202	DAMPER, SAIL SWITCH (FLAT)
8	A154002	FASTENER, PUSH-ON (1/8")
9	A802800	BOX, SAIL SWITCH (ONLY)
9	A802801	BOX, SAIL SWITCH ASSY
10	A142809	PIPE (1/2" X 29 1/8")
11	A150309	SCREW, CRIMPTITE
12	A319704	BRACKET, HI-LIMIT MOUNTING
13	A151000	PAL NUT (#6-32)
14	A151001	NUT, PAL (#8-32)
15	A130201	HI-LIMIT

MAYTAG MDG50MNAWW

SENSOR BRACKET ASSEMBLY



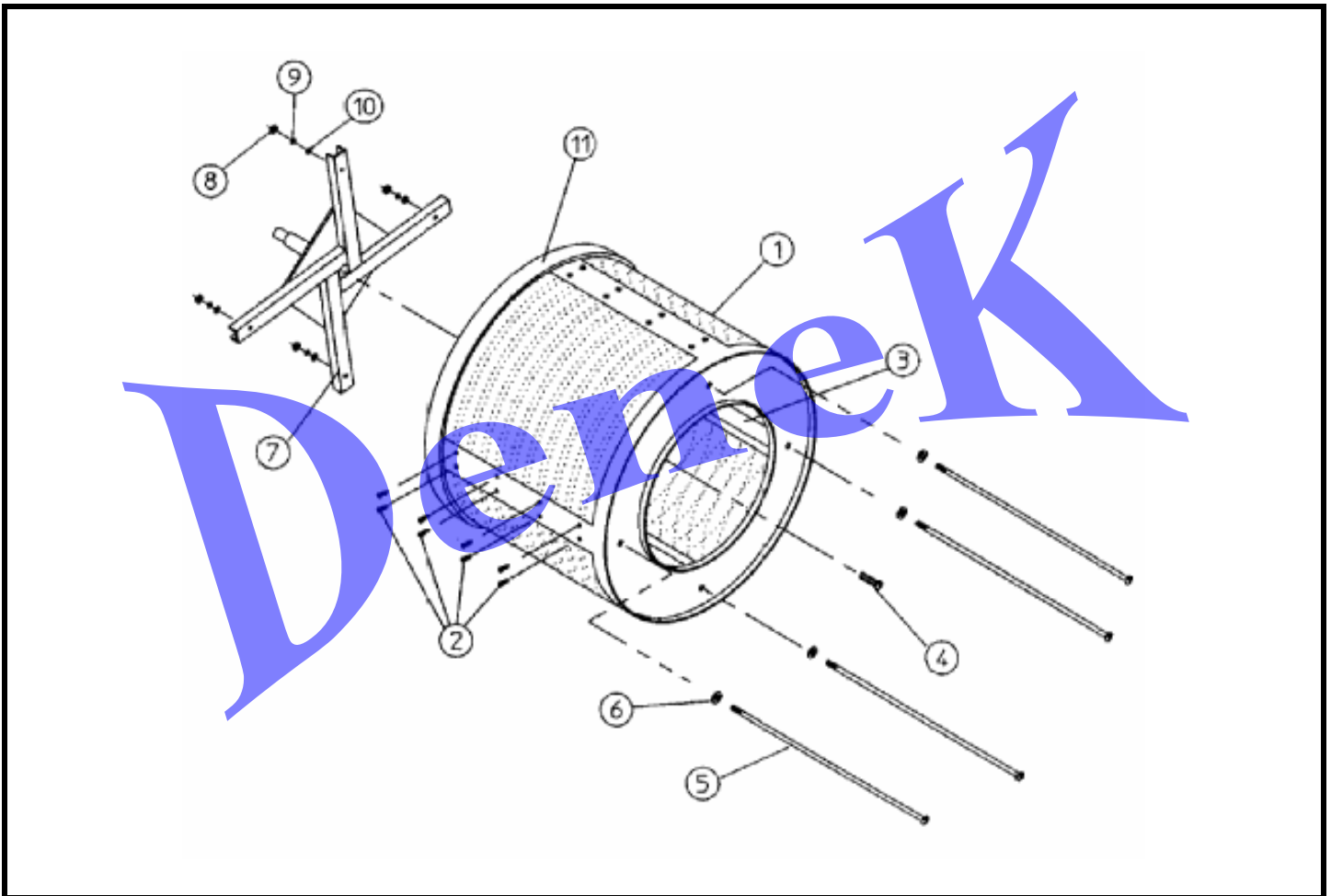
MAYTAG MDG50MNAWW

SENSOR BRACKET ASSEMBLY

0	-----	NOT REQUIRED PART OR SEE NOTE
2	A130301	THERMOSTAT (225 DEGREE)
3	A153010	WASHER, STAR (#6)
4	A152000	NUT, HEX (#6-32)
5	A121028	TERMINAL, 1/4" INSUL. (FEMALE)
6	A122701	TERMINAL, SOCKET (ONLY)
7	A122801	TOOL, EXTRACTION (PIN/SOCKET)
7	A122605	CONNECTOR, 4-PIN SOCKET
8	A154007	FASTENER, PUSH-ON (1/4")
9	A150005	SCREW, PHILL (6-32 X 1/4")RND
10	A305007	BRACKET, SENSOR
10	A801425	SENSOR BRACKET ASY.
11	A122604	CONNECTOR (4 PIN)
12	A122700	TERMINAL, PIN
13	A150301	SCREW, TEK (#8-18 X 7/16 PH
15	A130111	THERMOSTAT (170 DEGREE)
16	A130100	THERMOSTAT (150 DEGREE)
17	A130301	THERMOSTAT (225 DEGREE)
18	A130101	THERMOSTAT (180 DEGREE)
21	A840065	JUMPER, SENSOR
24	A840062	HARNESS, BRACKET ASSY-4 T-STAT
24	A122605	CONNECTOR, 4-PIN SOCKET
25	A305007	BRACKET, SENSOR
25	A801418	SENSOR BRKT ASSY -4 T-STAT
26	A122604	CONNECTOR (4 PIN)
27	A122700	TERMINAL, PIN
28	A150301	SCREW, TEK (#8-18 X 7/16 PH

MAYTAG MDG50MNAWW

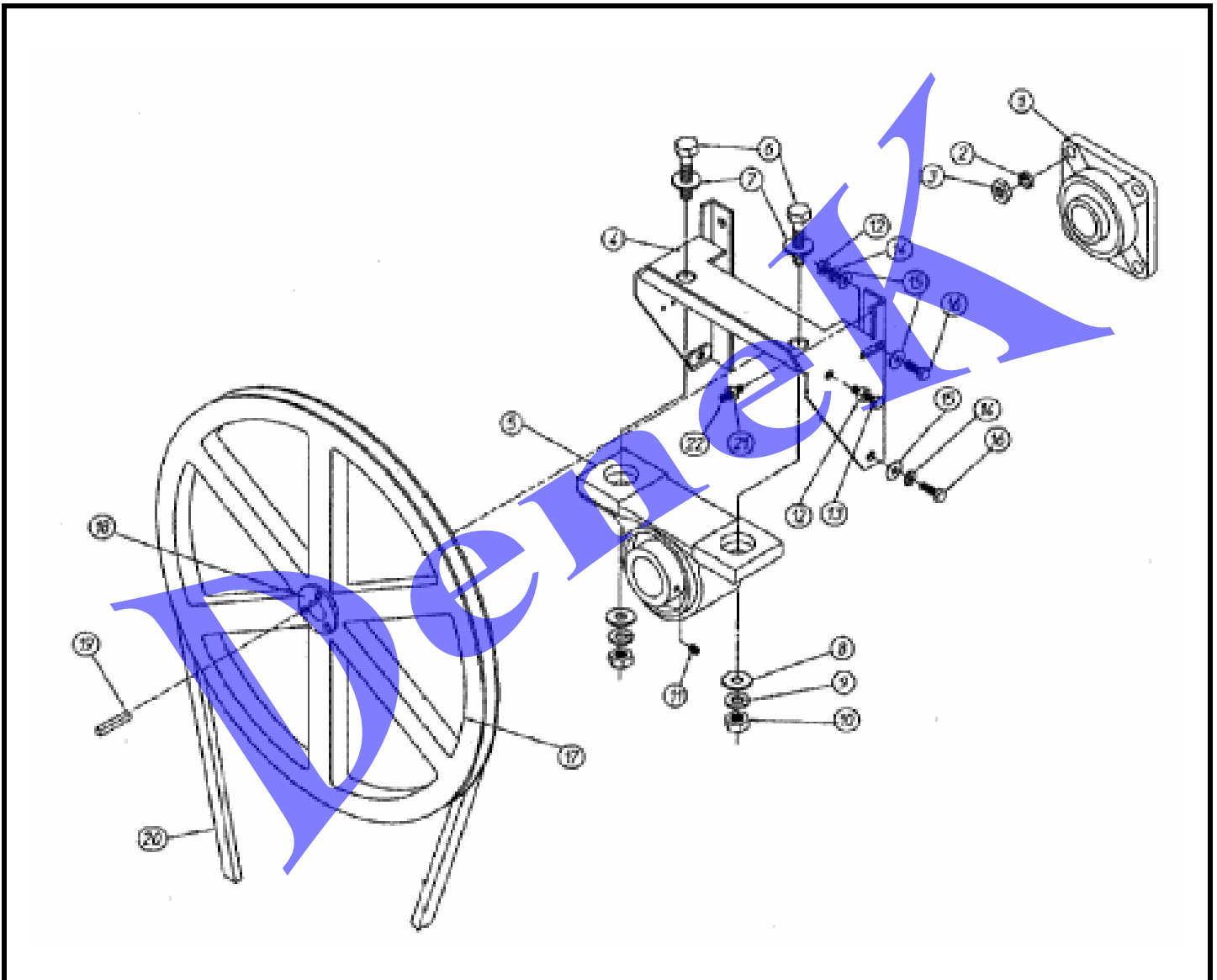
TUMBLER & SUPPORT ASSEMBLY



0	-----	NOT REQUIRED PART OR SEE NOTE
1	A800837	TUMBLER & SUPPORT ASSY W/RIBS
1	A800838	TUMBLER W/RIBS NO FELT COLLAR
2	A150309	SCREW, CRIMPTITE
3	A301302	TUMBLER RIB ONLY (LOW RIB)
3	A301311	TAPERED TUMBLER BAFFLE RIB (HI)
4	A150500	SCREW, SOCKET BTTN. HD.
5	A100903	TIE ROD
6	A153004	WASHER, FLAT (3/8")
7	A800616	SUPPORT, TUMBLER
8	A152005	NUT, HEX (#16-3/8")
9	A153005	WASHER, LOCK (3/8")
10	A153004	WASHER, FLAT (3/8")
11	A116001	FELT COLLAR
11	A401010	ADHESIVE, FELT COLLAR #847

MAYTAG MDG50MNAWW

TUMBLER BEARING ASSEMBLY



0	-----	NOT REQUIRED PART OR SEE NOTE
1	A880220	BEARING, FLANGE
2	A153025	LOCK WASHER (9/16")
3	A152050	HEX NUT (#9/16-12)
4	A801761	HOUSING, BEARING
4	A801775	PILLOW BLOCK BEARING ASSEMBLY
5	A880202	BEARING, PILLOW BLOCK
6	A150633	BOLT, HEX HEAD (2 1/4")
7	A153011	WASHER, FLAT (9/16")
8	A153011	WASHER, FLAT (9/16")
9	A153026	WASHER, LOCK (1/2")
10	A152011	NUT, HEX (#1/2-13)
11	A154322	SCREW (3/8 X 7/16)

12	A152004	NUT, HEX (#18-5/16)
13	A150621	BOLT, MACHINE (#18-5/16X1 1/2)
14	A153002	WASHER, LOCK (5/16")
15	A153001	WASHER, FLAT (5/16")
16	A150621	BOLT, MACHINE (#18-5/16X1 1/2)
17	A101100	PULLEY (18")
18	A101220	BUSHING, TAPER LOCK (1 15/16)
19	A100719	KEY (1/2 X 1/2 X 1 3/8)
20	A100135	BELT, V
21	A152004	NUT, HEX (#18-5/16)
22	A150610	SCREW, SET (#18-5/16" X 1 1/2)