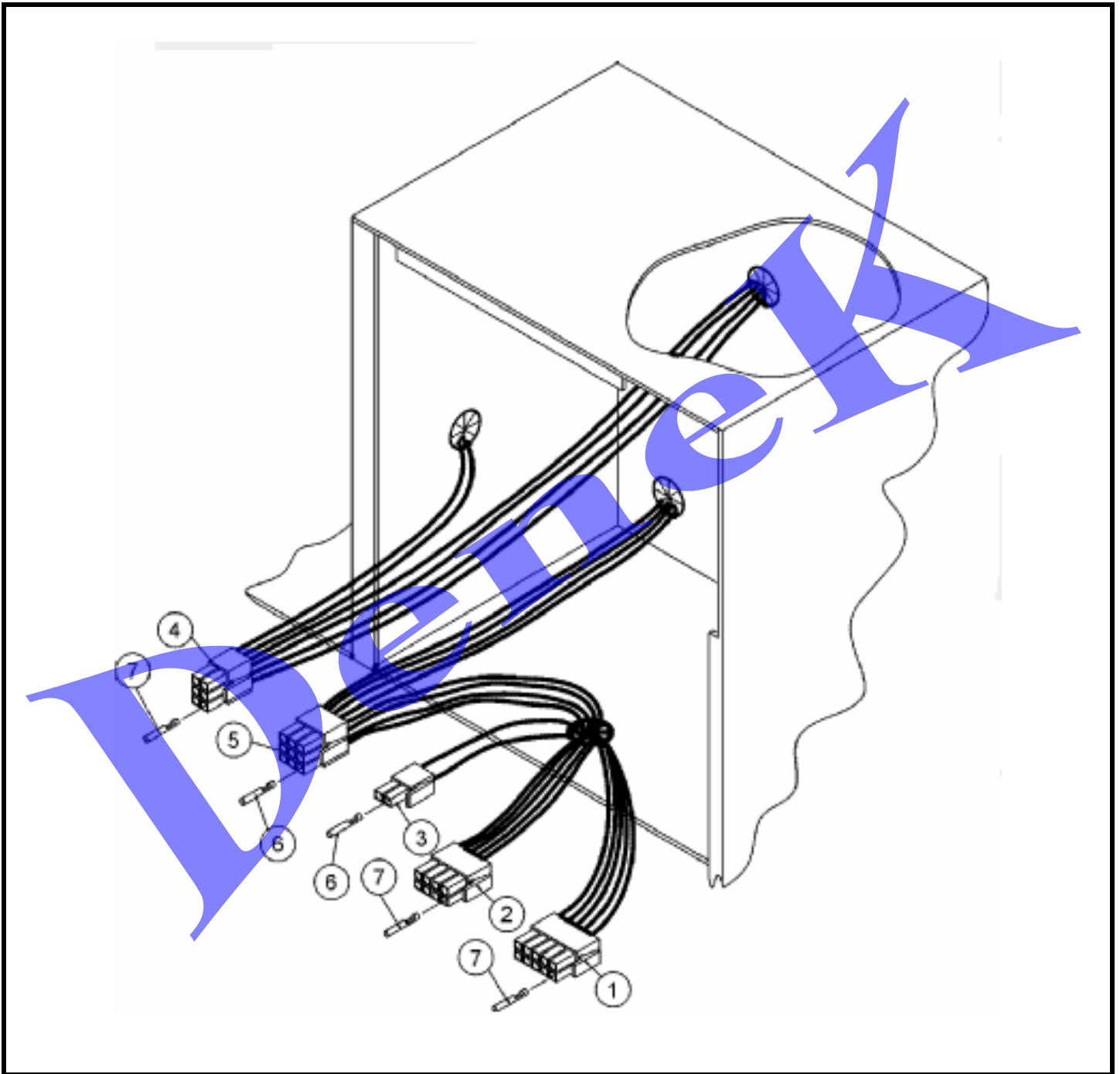


MAYTAG MDG50PNHWQ

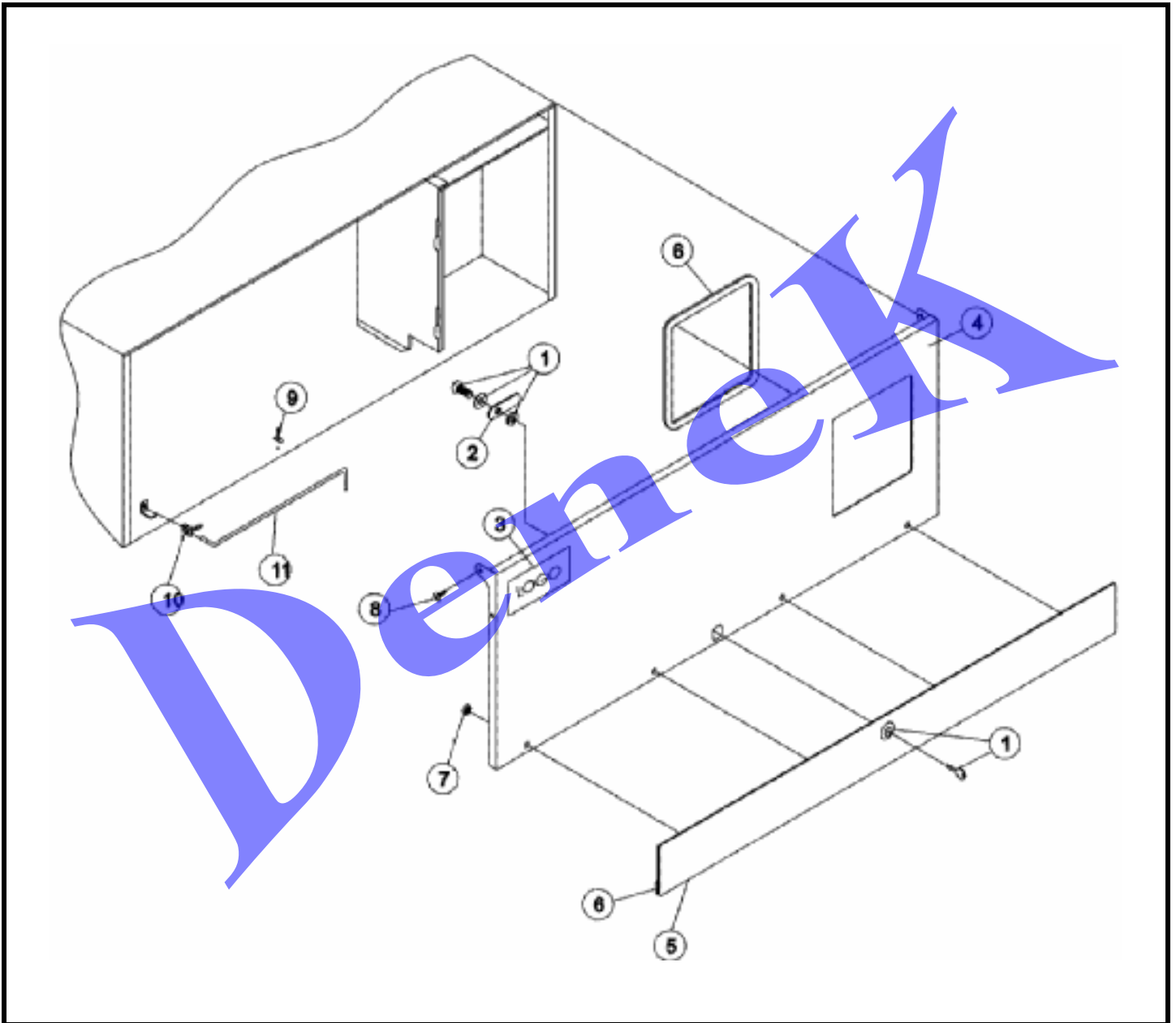
CONTROL BOX (MICROPROCESSOR)



0	A000000	ORDER PART FROM AMERICAN DRYER
1	A122681	CONNECTOR, 10 PIN
2	A122676	CONNECTOR, 8 PIN
3	A122646	CONNECTOR, 2 PIN
4	A122683	CONNECTOR, 6 PIN
5	A122640	CONNECTOR, 9 PIN
6	A122706	SOCKETS
7	A122669	TERMINAL, FEMALE CRIMP

MAYTAG MDG50PNHWQ

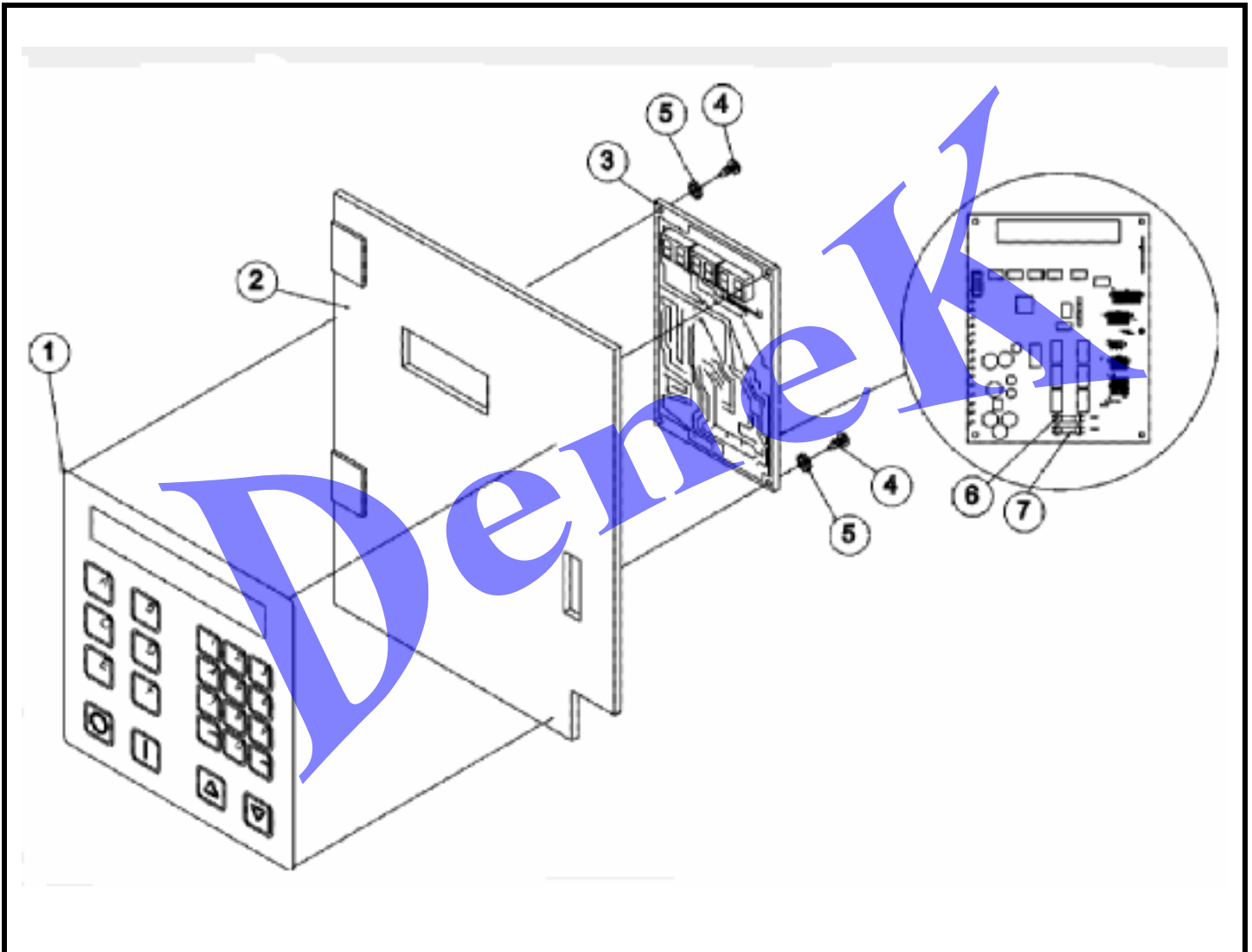
CONTROL DOOR



0	A000000	ORDER PART FROM AMERICAN DRYER
1	A160017	LOCK, SPECIAL DUMMY
2	A160016	CAM, LOCK
3	A112353	LOGO
4	A883713	CONTROL DOOR BSQ
5	A883476	STRIP, TRIM BLK
6	A117604	TAPE, FOAM (SOLD IN FEET)
7	A152014	NUT, FREE SPIN WASH (#20-1/4)
8	A150317	3/4" TORX SCREW
9	A102603	CATCH, ROD SUPPORT-CTRL. DOOR
10	A102601	CLIP, ROD RETAINER-CTRL. DOOR
11	A102502	ROD, SUPPORT (CONTROL DOOR)

MAYTAG MDG50PNHWQ

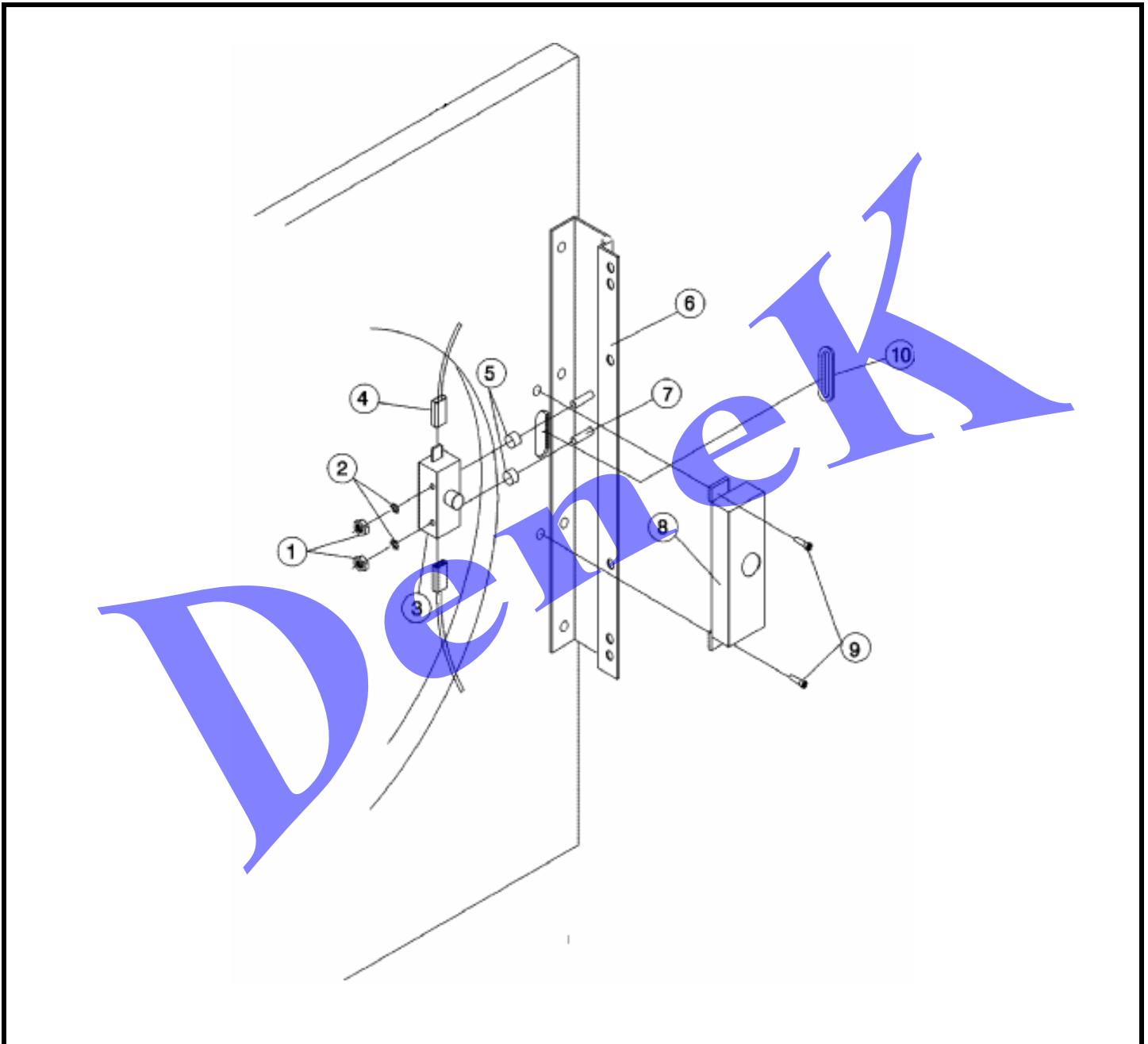
CONTROL PANEL (MICROPROCESSOR)



0	A000000	ORDER PART FROM AMERICAN DRYER
1	A112571	KEYBOARD, PHASE 7 OPL
1	A112577	KEYBOARD, PHASE 7 OPL
2	A822767	CONTROL PANEL, COMPLETE
2	A850984	PANEL, MICROPRO PHASE 7 ONLY
3	A137243	MICROPROCESSOR, PHASE 7 OPL
3	A137247	MICROPROCESSOR, PHASE 7 OPL
4	A150005	SCREW, PHILL (6-32 X 1/4")RND
5	A153010	WASHER, STAR (#6)
6	A136016	FUSE, 5 AMP
7	A136097	FUSE, 500MA FUSE

MAYTAG MDG50PNHWQ

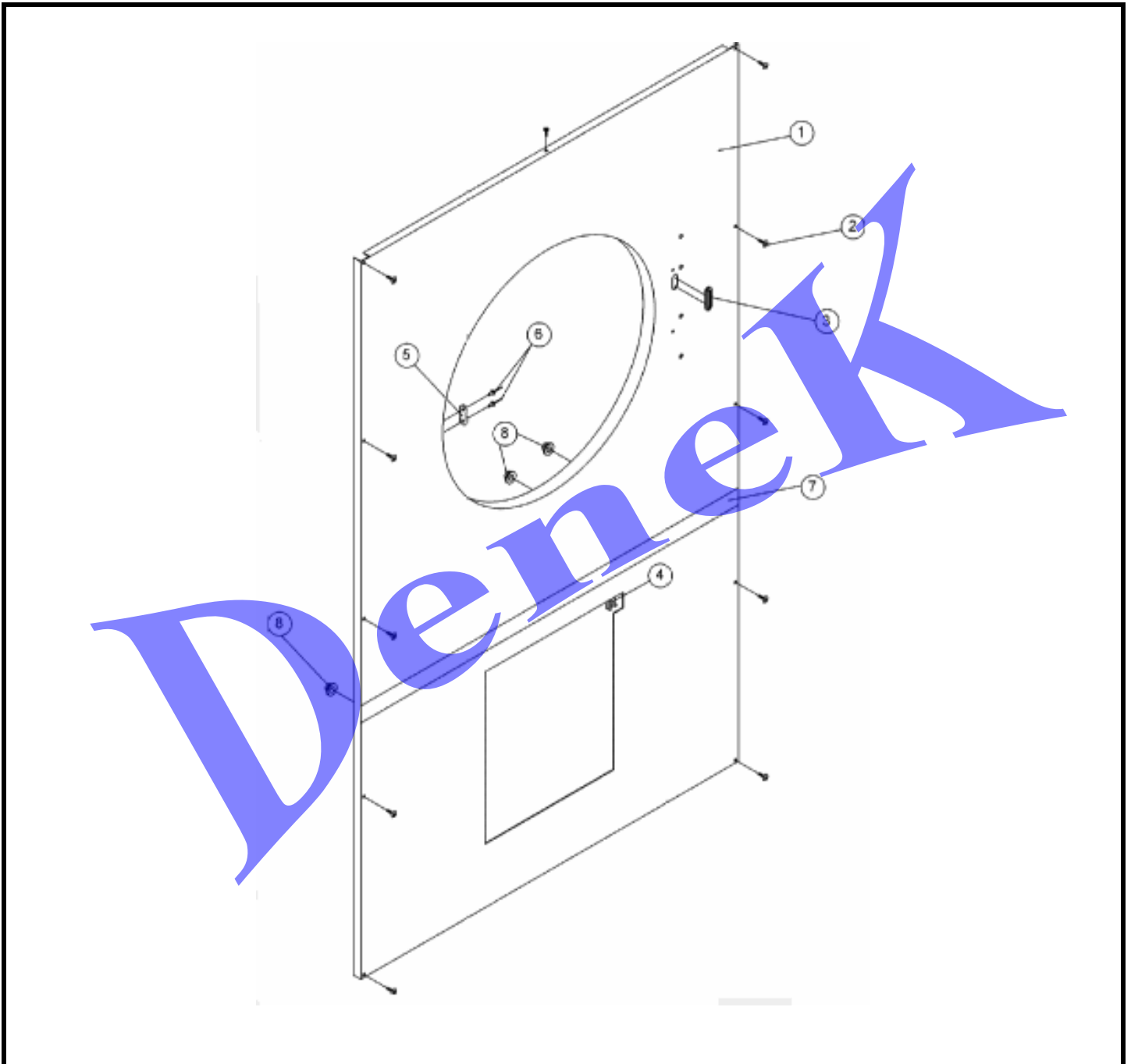
DOOR SWITCH



0	A000000	ORDER PART FROM AMERICAN DRYER
1	A152013	NUT, HEX (#6-32)
2	A153008	WASHER, SPLIT LOCK (#6)
3	A137005	SWITCH, DOOR (SINGLE POLE)
4	A121028	TERMINAL, 1/4" INSUL. (FEMALE)
5	A154281	SPACER, NYLON (3/8")
6	A801524	BLACK DOOR HINGE
7	A153576	SELF-CLINCHING STUD #6 32X1
8	A313218	HOUSING, MAIN DOOR SWITCH
9	A150201	SCREW, MACHINE (#10-32 X 1/4")
10	A121405	GROMMET, RUBBER

MAYTAG MDG50PNHWQ

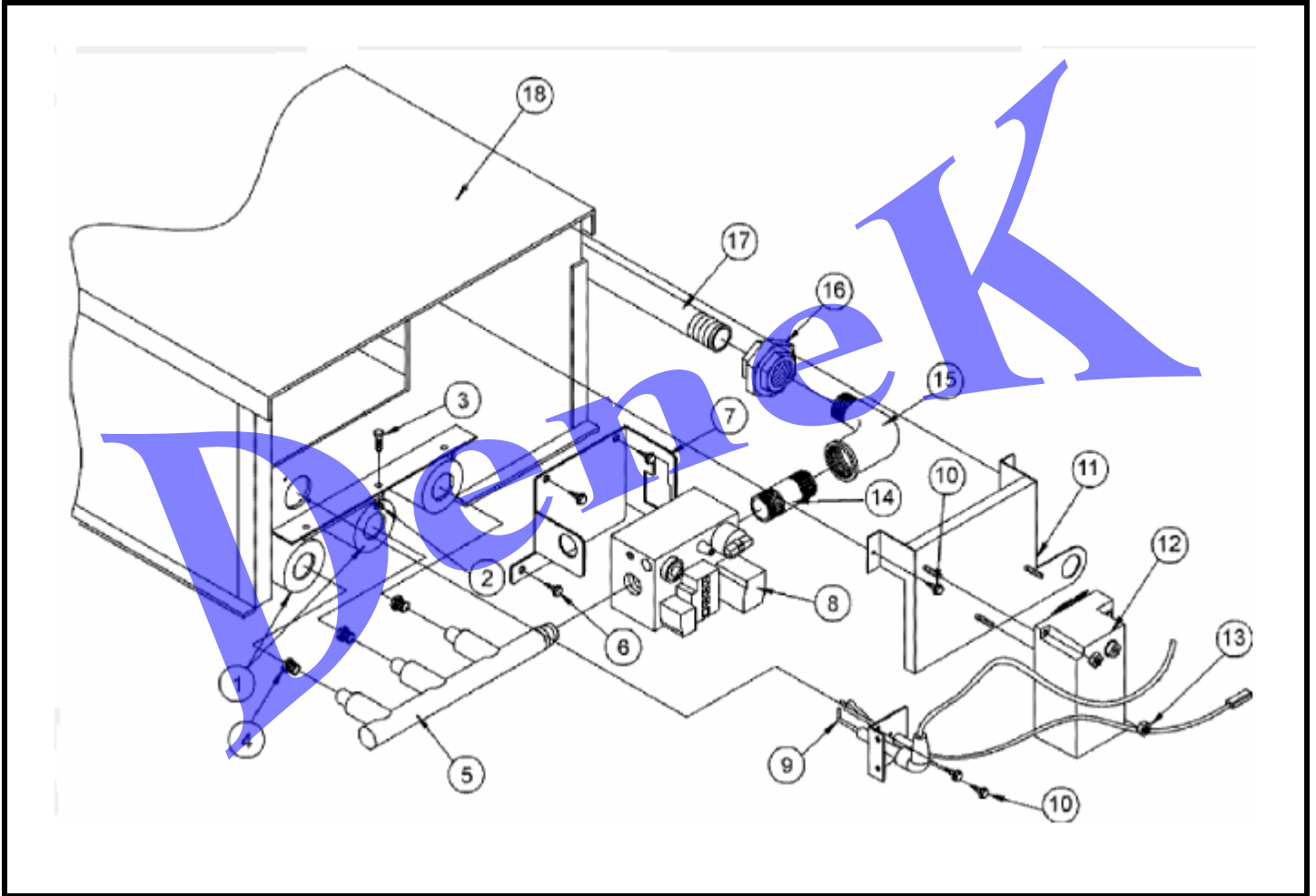
FRONT PANEL



- | | | |
|---|---------|--------------------------------|
| 0 | A000000 | ORDER PART FROM AMERICAN DRYER |
| 1 | A883516 | PANEL, FRONT RIGHT HAND BSQ |
| 2 | A150309 | SCREW, CRIMPTITE |
| 3 | A121405 | GROMMET, RUBBER |
| 4 | A122116 | SWITCH, LINT BASKET |
| 5 | A170330 | LATCH, DOOR (FRICTION) |
| 6 | A154215 | RIVET, POP (5/32") |
| 7 | A883715 | TRIM, FRONT PANEL BLK |
| 8 | A152014 | NUT, FREE SPIN WASH (#20-1/4) |

MAYTAG MDG50PNHWQ

GAS BURNER



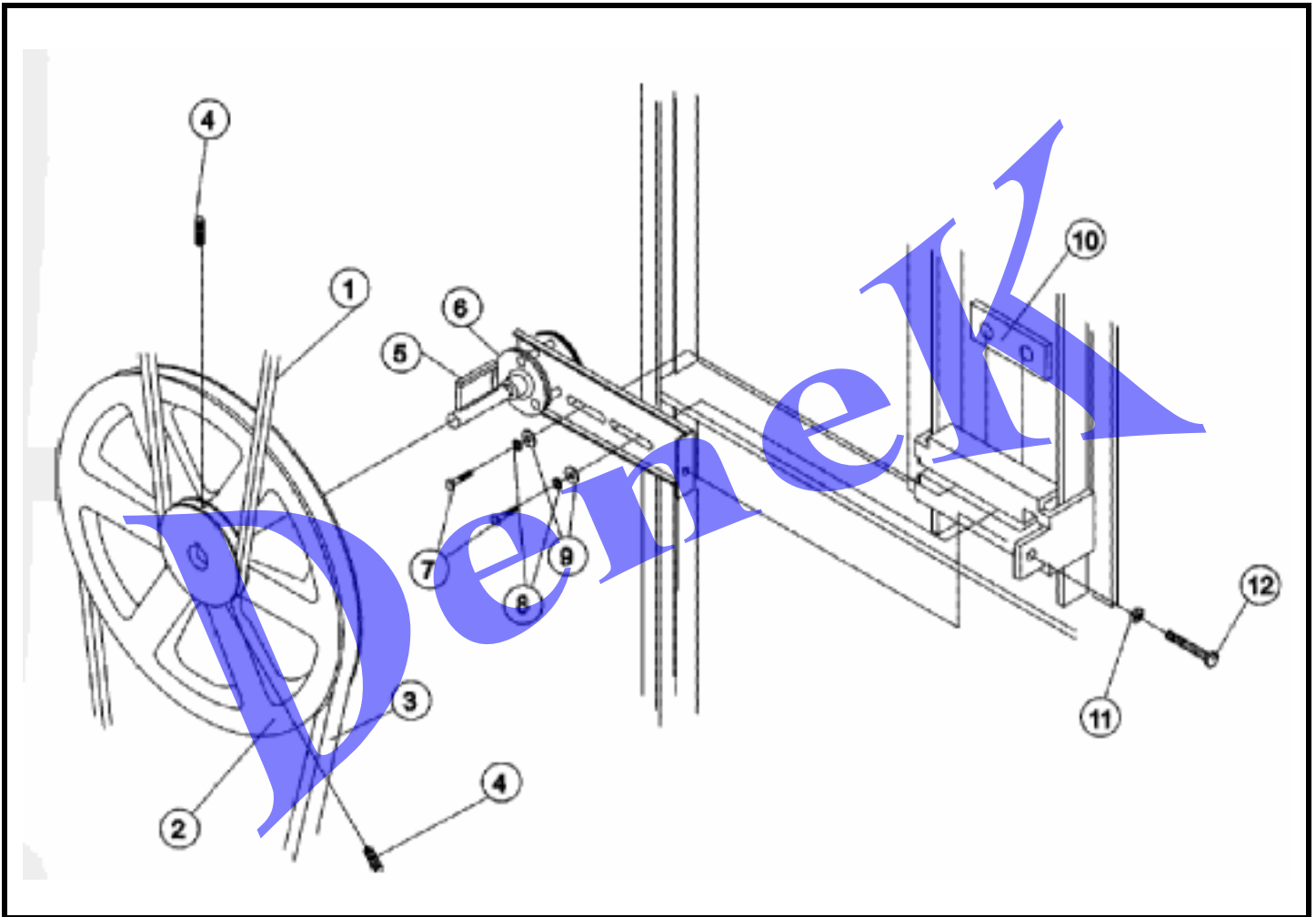
MAYTAG MDG50PNHWQ

GAS BURNER

0	A000000	ORDER PART FROM AMERICAN DRYER
1	A141105	BURNER, TUBE (LARGE)
2	A151001	NUT, PAL (#8-32)
3	A150108	SCREW, MACHINE
4	A140806	BURNER ORIFICE (LP)
4	A140820	ORIFICE, BURNER (NAT)
5	A141232	MANIFOLD, DSI (3-PORT 1/2")
6	A150309	SCREW, CRIMPTITE
7	A318714	BRACKET, HORIZONTAL GAS VALVE
8	A880960	VALVE, GAS 1/2" 24 VAC, (LP)
8	A128927	VALVE, REDUNDANT (1/2" 24VAC)
9	A882537	WIRE, FLAME PROBE
9	A880134	IGNITER/FLAME PROBE KIT ASSY.
10	A150300	SCREW (#10-32 X 1/2" PH ROUND
11	A817027	MOUNTING BRACKET, DSI ASSY
12	A815724	ASSY, BRACKET
12	A128935	MODULE (DSI)
12	A128937	MODULE (DSI)
13	A152013	NUT, HEX (#6-32)
14	A142707	NIPPLE (1/2" X 1-1/2")
15	A142506	ELBOW, STREET (1/2" X 1/2")
16	A142600	UNION (1/2")
17	A142809	PIPE (1/2" X 29 1/8")
18	A817062	BURNER BOX COMPLETE (NAT)
18	A817063	BURNER BOX COMPLETE (LP)
18	A850899	BURNER BOX ONLY
18	A883325	CONVERION KIT (NAT TO LP)

MAYTAG MDG50PNHWQ

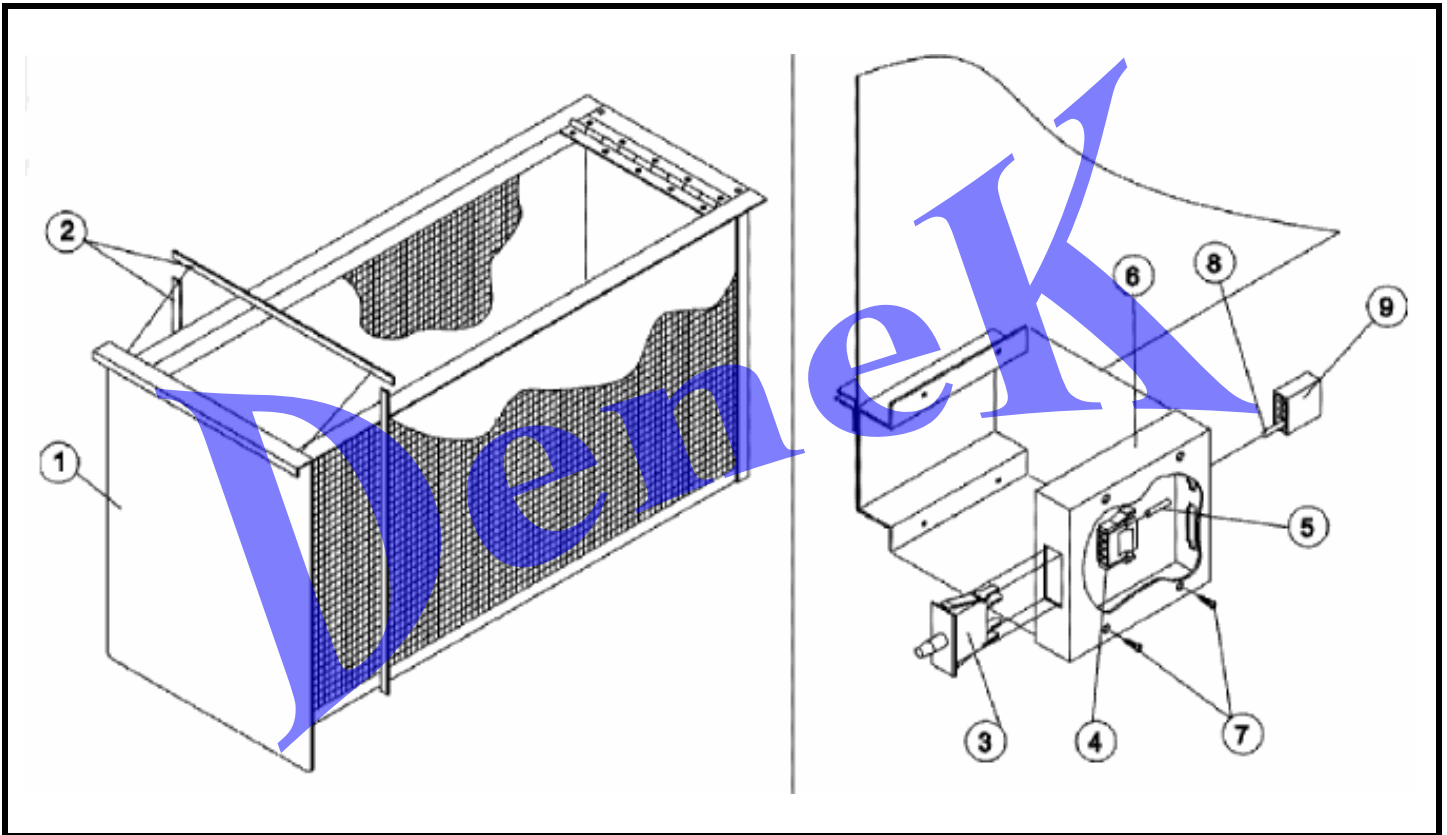
IDLER BEARING



0	A000000	ORDER PART FROM AMERICAN DRYER
1	A100100	V-BELT
2	A101129	PULLEY W/KEY(9" X 2 1/2")
3	A100105	V-BELT
4	A154301	SCREW, ALLEN (#18-5/16 X 5/16)
5	A100705	KEY (3/16" X 3/16" X 1-3/8")
6	A882576	BEARING, IDLER COMPLETE
7	A150617	BOLT, MACHINE (#16-3/8 X 1")
8	A153005	WASHER, LOCK (3/8")
9	A153004	WASHER, FLAT (3/8")
10	A801009	WASHER, IDLER (SQ)
11	A152004	NUT, HEX (#18-5/16)
12	A150509	BOLT, MACHINE (5/16-18 X 3")

MAYTAG MDG50PNHWQ

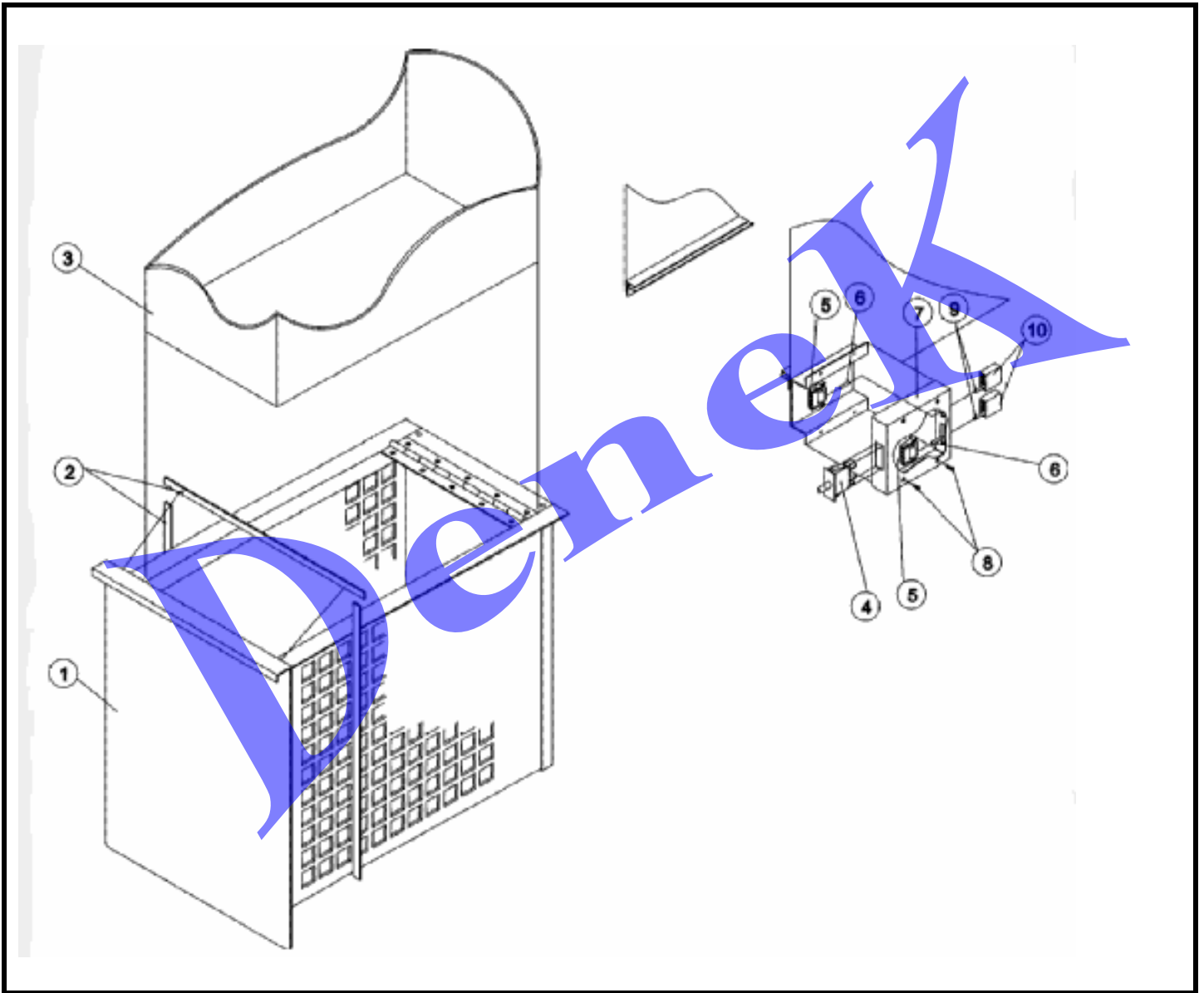
LINT DRAWER/SWITCH



0	A000000	ORDER PART FROM AMERICAN DRYER
1	A883717	LINT DRAWER BSQ
2	A117604	TAPE, FOAM (SOLD IN FEET)
3	A122116	SWITCH, LINT BASKET
4	A122605	CONNECTOR, 4-PIN SOCKET
5	A122701	TERMINAL, SOCKET (ONLY)
5	A122801	TOOL, EXTRACTION (PIN/SOCKET)
6	A304136	SWITCH BOX, COVER ONLY
6	A818087	SWITCH BOX, LINT DRAWER ASSY
7	A150301	SCREW, TEK (#8-18 X 7/16 PH)
8	A122700	TERMINAL, PIN
9	A122604	CONNECTOR (4 PIN)

MAYTAG MDG50PNHWQ

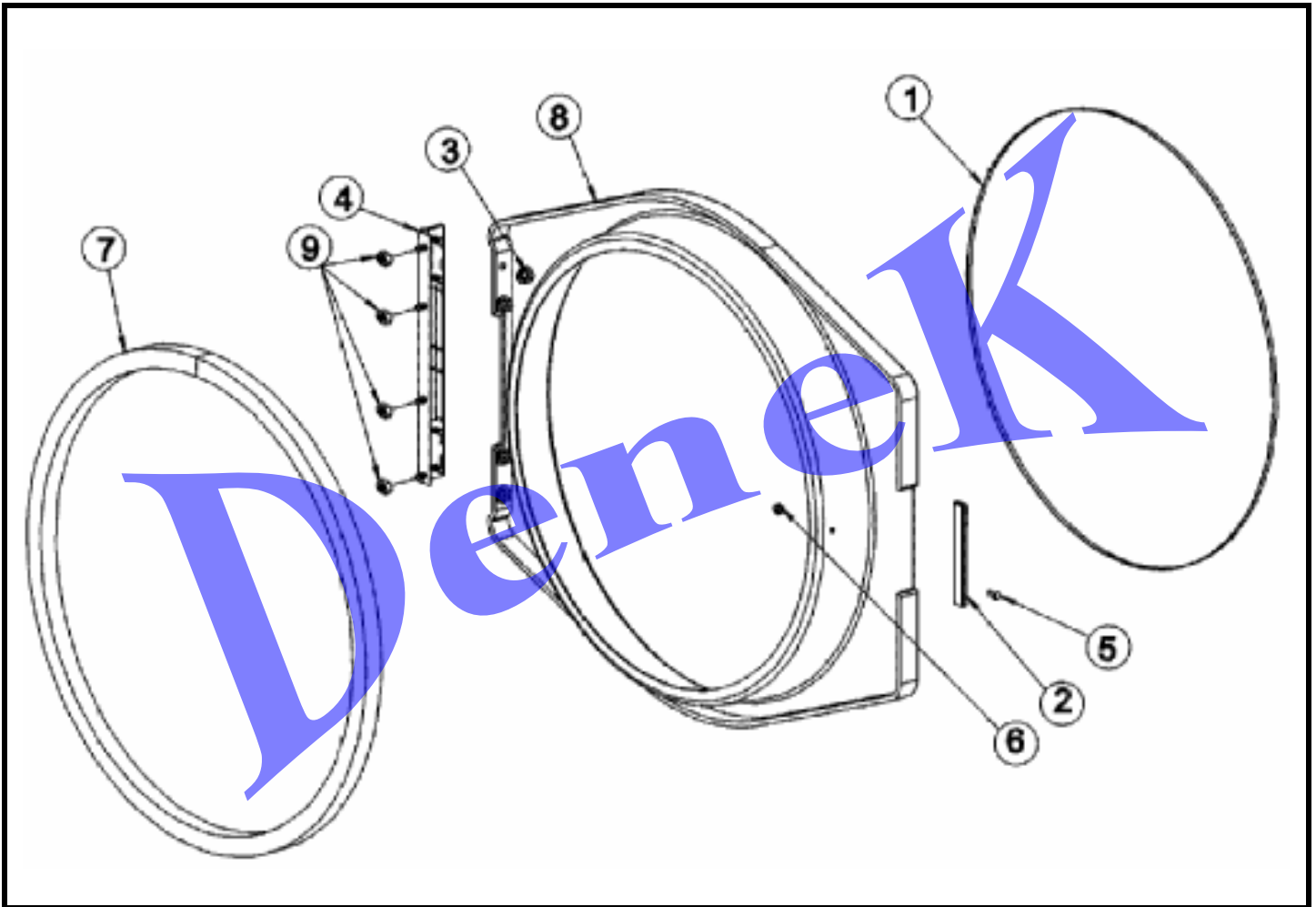
LINT DRAWER/SWITCH SERIES 11



- | | | |
|----|---------|--------------------------------|
| 0 | A000000 | ORDER PART FROM AMERICAN DRYER |
| 1 | A850962 | ASSY, LINT DRAWER |
| 1 | A850963 | ASSY, LINT DRAWER (SS) |
| 2 | A117604 | TAPE, FOAM (SOLD IN FEET) |
| 3 | A108225 | ASSY, LINT SCREEN |
| 4 | A122116 | SWITCH, LINT BASKET |
| 5 | A122605 | CONNECTOR, 4-PIN SOCKET |
| 6 | A122701 | TERMINAL, SOCKET (ONLY) |
| 6 | A122801 | TOOL, EXTRACTION (PIN/SOCKET) |
| 7 | A304136 | SWITCH BOX, COVER ONLY |
| 7 | A800478 | SWITCH BOX, LINT DRAWER ASSY |
| 8 | A150301 | SCREW, TEK (#8-18 X 7/16 PH) |
| 9 | A122700 | TERMINAL, PIN |
| 10 | A122604 | CONNECTOR (4 PIN) |

MAYTAG MDG50PNHWQ

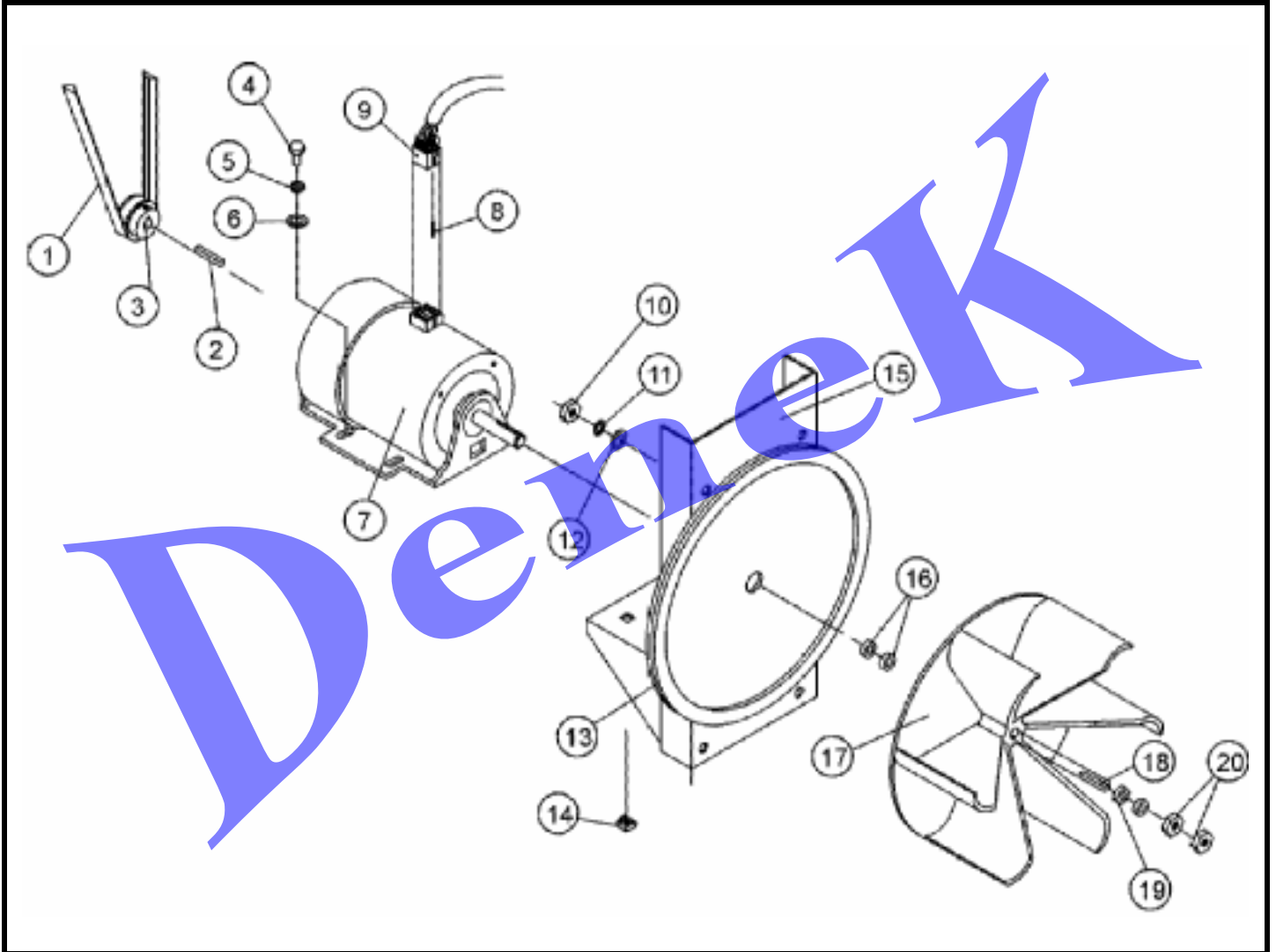
MAIN DOOR



0	A000000	ORDER PART FROM AMERICAN DRYER
1	A102210	GLASS, DOOR (20-7/16" ONLY)
1	A170731	BLACK GLASS ADHESIVE (10.3 OZ)
2	A102328	HANDLE EDGE
3	A152014	NUT, FREE SPIN WASH (#20-1/4)
4	A801524	BLACK DOOR HINGE
5	A150120	LATCH SCREW
6	A151010	BLACK ACORN NUT
7	A102349	GASKET, DOOR
8	A882991	BLACK MAIN DOOR ASSY.
9	A152014	NUT, FREE SPIN WASH (#20-1/4)

MAYTAG MDG50PNHWQ

MOTOR MOUNT



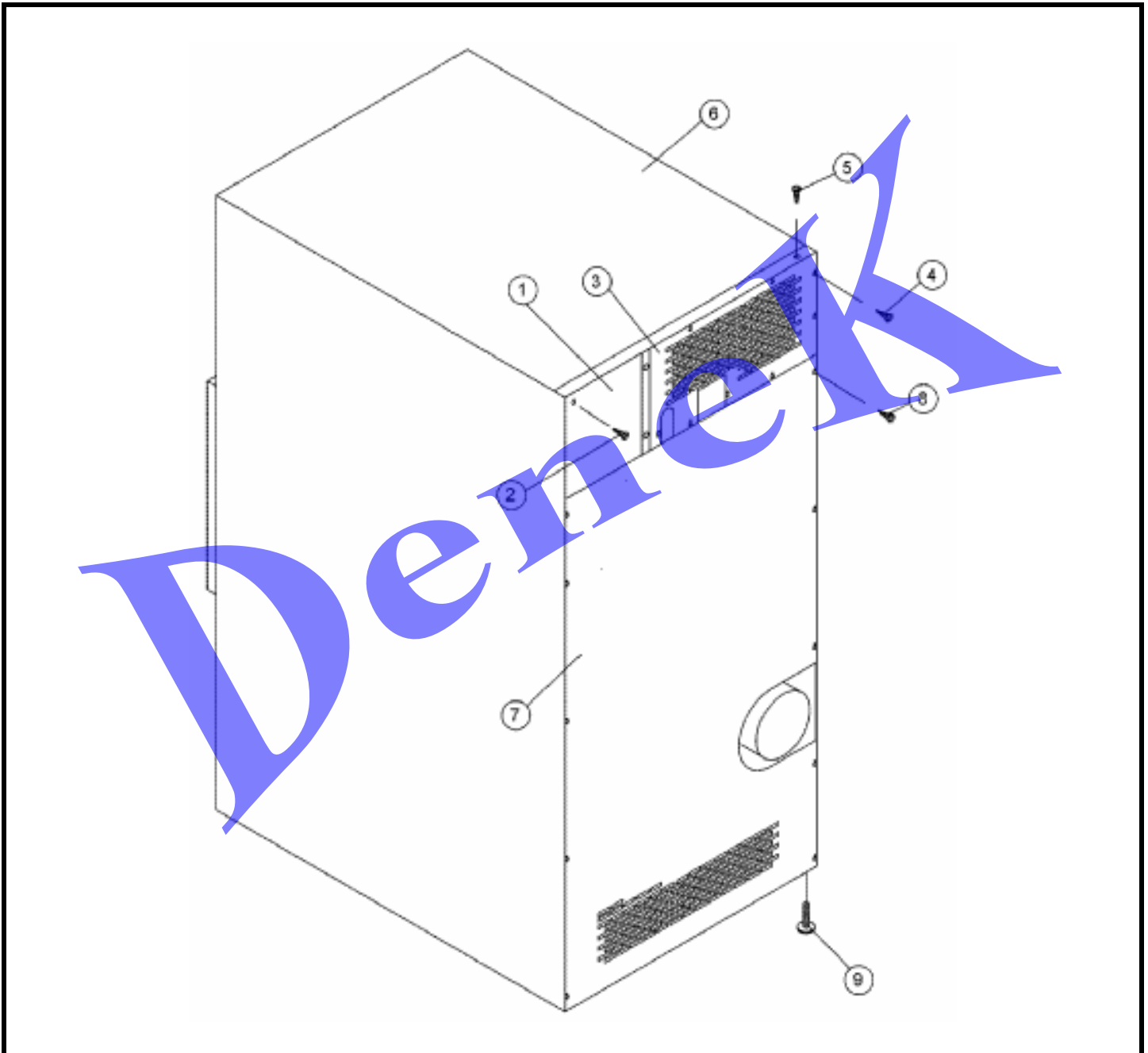
MAYTAG MDG50PNHWQ

MOTOR MOUNT

0	A000000	ORDER PART FROM AMERICAN DRYER
1	A100105	V-BELT
2	A100701	KEY (3/16" X 3/16")
3	A101132	PULLEY, MOTOR (5/8" X 2")
4	A150501	BOLT, MACHINE (#18-5/16 X 3/4)
5	A153002	WASHER, LOCK (5/16")
6	A153001	WASHER, FLAT (5/16")
7	A100069	3/4 HP 115V 10 MOTOR W/PLUG 56
8	A122701	TERMINAL, SOCKET (ONLY)
8	A122801	TOOL, EXTRACTION (PIN/SOCKET)
9	A137030	HOUSING (8 PIN)
10	A152004	NUT, HEX (#18-5/16)
11	A153002	WASHER, LOCK (5/16")
12	A153001	WASHER, FLAT (5/16")
13	A117604	TAPE, FOAM (SOLD IN FEET)
14	A154000	NUT (#18-5/16")
15	A817029	MOTOR, 3/4HP 60HZ COMPLETE
15	A850017	MOTOR, MOUNT
16	A153050	WASHER, FLAT (1/2")
17	A100604	IMPELLOR (12 1/2" W/ 1/2 BORE)
18	A100702	KEY (1/8" X 1/8" X 1 1/2")
19	A153050	WASHER, FLAT (1/2")
20	A152006	NUT, JAM (#20-1/2" LT-HAND)

MAYTAG MDG50PNHWQ

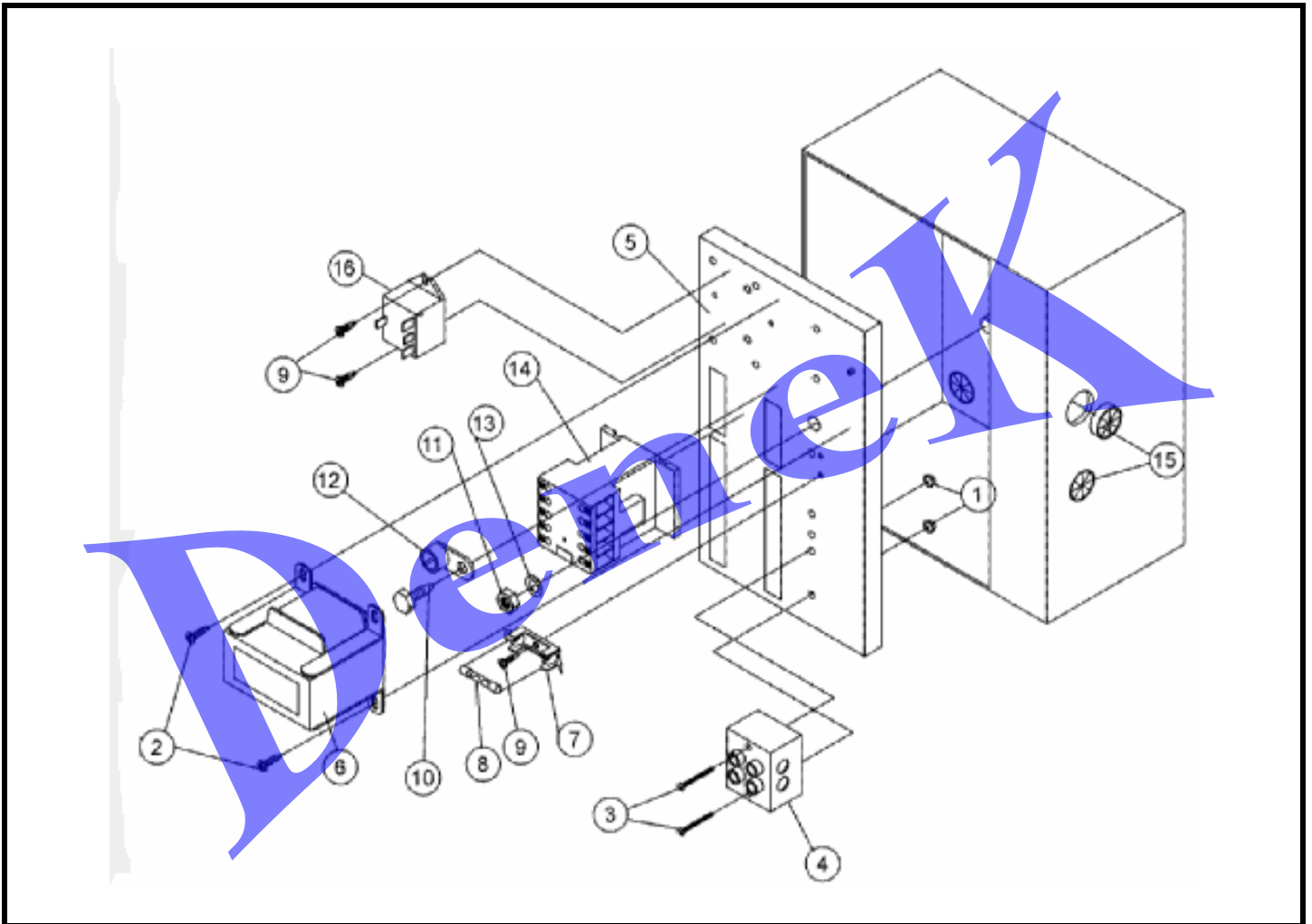
OUTER TOP/BACK GUARD



0	A000000	ORDER PART FROM AMERICAN DRYER
1	A322809	COVER, ELECTRICAL BOX (REAR)
2	A150301	SCREW, TEK (#8-18 X 7/16 PH
3	A314424	GUARD, TOP BACK
4	A150301	SCREW, TEK (#8-18 X 7/16 PH
5	A150300	SCREW (#10-32 X 1/2" PH ROUND
6	A312533	GUARD, TOP (OUTER)
7	A322082	GUARD, BOTTOM BACK
8	A150301	SCREW, TEK (#8-18 X 7/16 PH
9	A103500	LEG, LEVELING (ADJUSTABLE)

MAYTAG MDG50PNHWQ

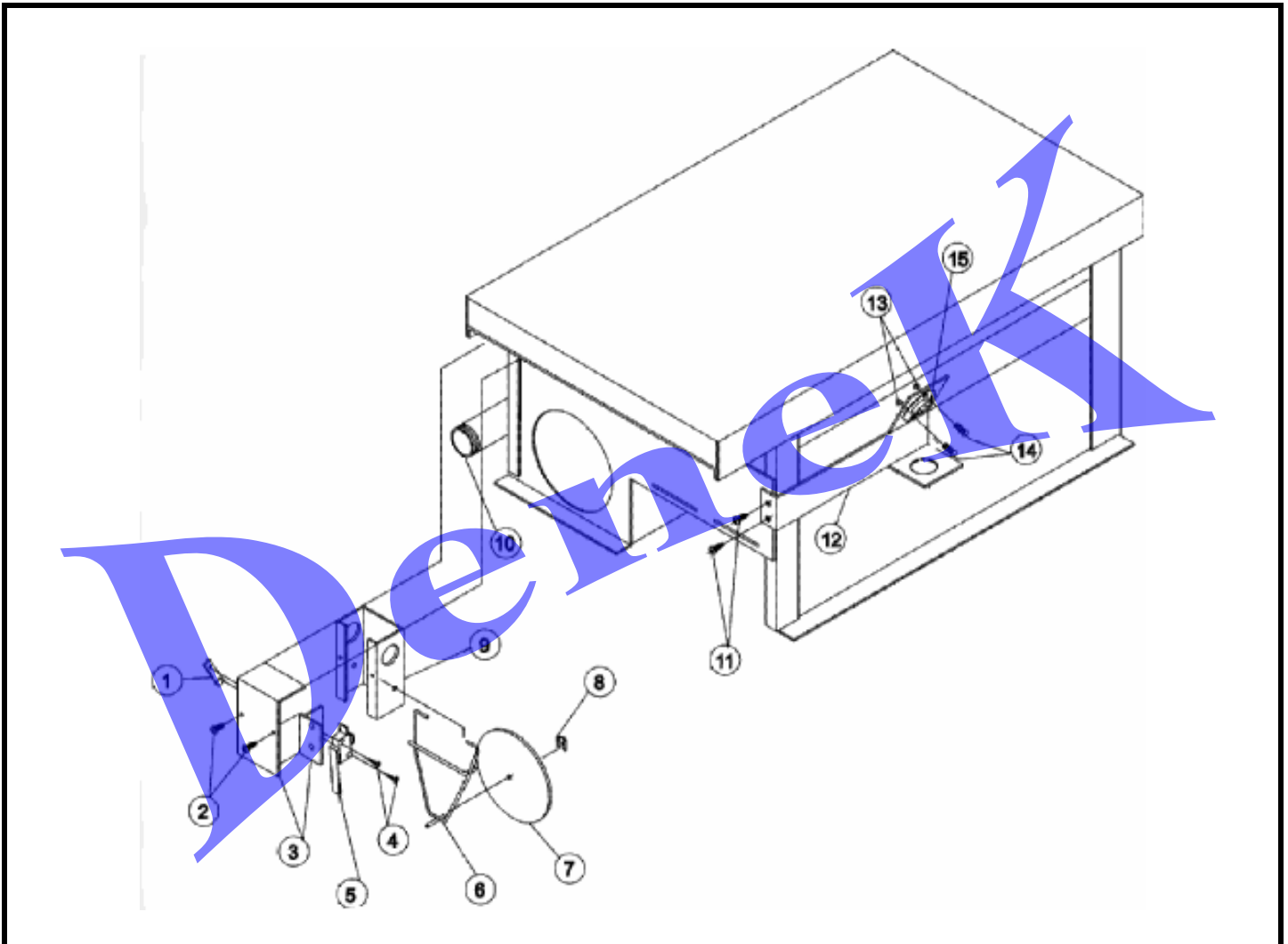
REAR ELECTRIC PANEL



0	A000000	ORDER PART FROM AMERICAN DRYER
1	A151000	PAL NUT (#6-32)
2	A150300	SCREW (#10-32 X 1/2" PH ROUND
3	A150008	SCREW, MACHINE
4	A120716	TERMINAL BLOCK, 2-POSTION
5	A322812	PLATE, BACK
5	A822796	PANEL, REAR ELEC. COMPLETE
6	A830151	TRANSFORMER 115V
7	A136008	STRIP, FUSE BLOCK (ONLY)
8	A136057	FUSE, 1/2-AMP SLO-BLO
9	A150301	SCREW, TEK (#8-18 X 7/16 PH
10	A150297	WASHER, TEK SCREW
11	A152004	NUT, HEX (#18-5/16)
12	A121010	LUG, GROUND (L-70)
13	A153002	WASHER, LOCK (5/16")
14	A132495	CONTACTOR, 3-POLE
15	A121300	BUSHING, OPEN/CLOSED
16	A131932	RELAY, SPST 24V

MAYTAG MDG50PNHWQ

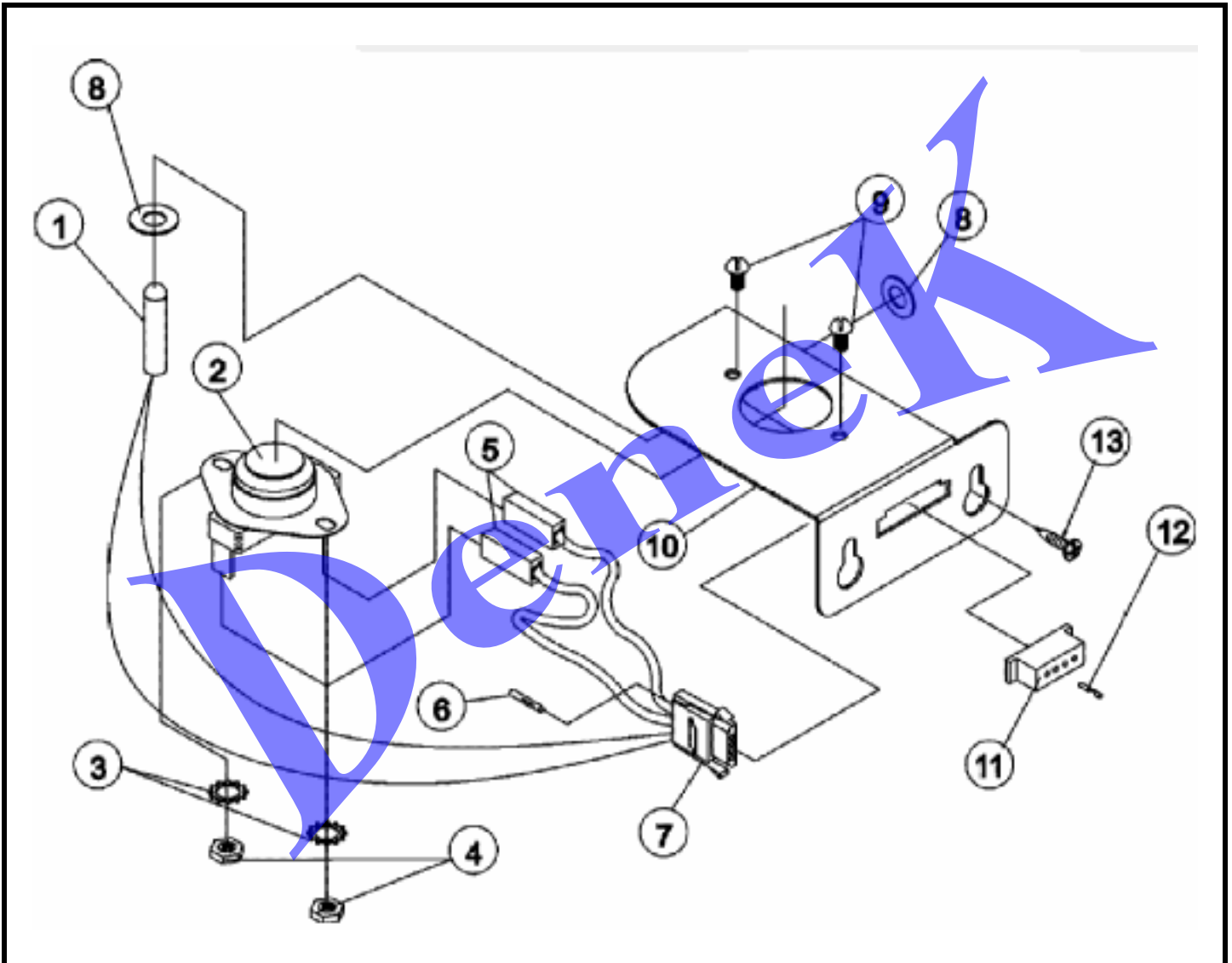
SAIL SWITCH/HI LIMIT



0	A000000	ORDER PART FROM AMERICAN DRYER
1	A154004	NUT, TWIN SPEED
2	A150300	SCREW (#10-32 X 1/2" PH ROUND
3	A802799	COVER, SAIL SWITCH BOX W/BRKT.
4	A150303	SCREW (#4 X 3/4")
5	A122200	SWITCH, SAIL
6	A105500	ROD, SAIL SWITCH ACTUATOR
7	A319202	DAMPER, SAIL SWITCH (FLAT)
8	A154002	FASTENER, PUSH-ON (1/8")
9	A802800	BOX, SAIL SWITCH (ONLY)
9	A802801	BOX, SAIL SWITCH ASSY
10	A142809	PIPE (1/2" X 29 1/8")
11	A150300	SCREW (#10-32 X 1/2" PH ROUND
12	A319704	BRACKET, HI-LIMIT MOUNTING
13	A151000	PAL NUT (#6-32)
14	A150001	SCREW, MACHINE (#6-32 X 1/2")
15	A130201	HI-LIMIT

MAYTAG MDG50PNHWQ

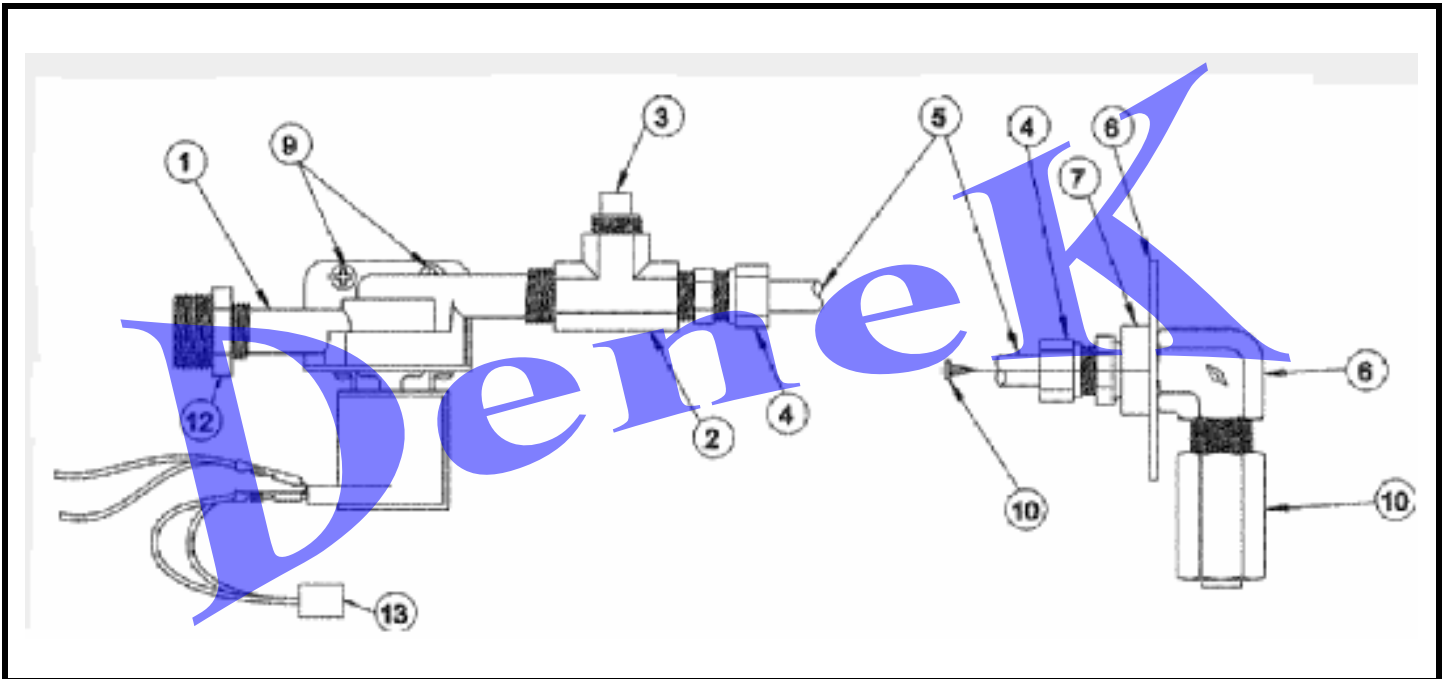
SENSOR BRACKET



0	A000000	ORDER PART FROM AMERICAN DRYER
1	A880251	PROBE ASSY., TEMP. (1/4")
2	A130103	THERMOSTAT (225 DEGREE)
3	A153010	WASHER, STAR (#6)
4	A152000	NUT, HEX (#6-32)
5	A121028	TERMINAL, 1/4" INSUL. (FEMALE)
6	A122701	TERMINAL, SOCKET (ONLY)
7	A122605	CONNECTOR, 4-PIN SOCKET
8	A154007	FASTENER, PUSH-ON (1/4")
9	A150005	SCREW, PHILL (6-32 X 1/4")RND
10	A322214	BRACKET, SENSOR
10	A817046	SENSOR BRACKET ASSY.
11	A122604	CONNECTOR (4 PIN)
12	A122700	TERMINAL, PIN
13	A150301	SCREW, TEK (#8-18 X 7/16 PH)

MAYTAG MDG50PNHWQ

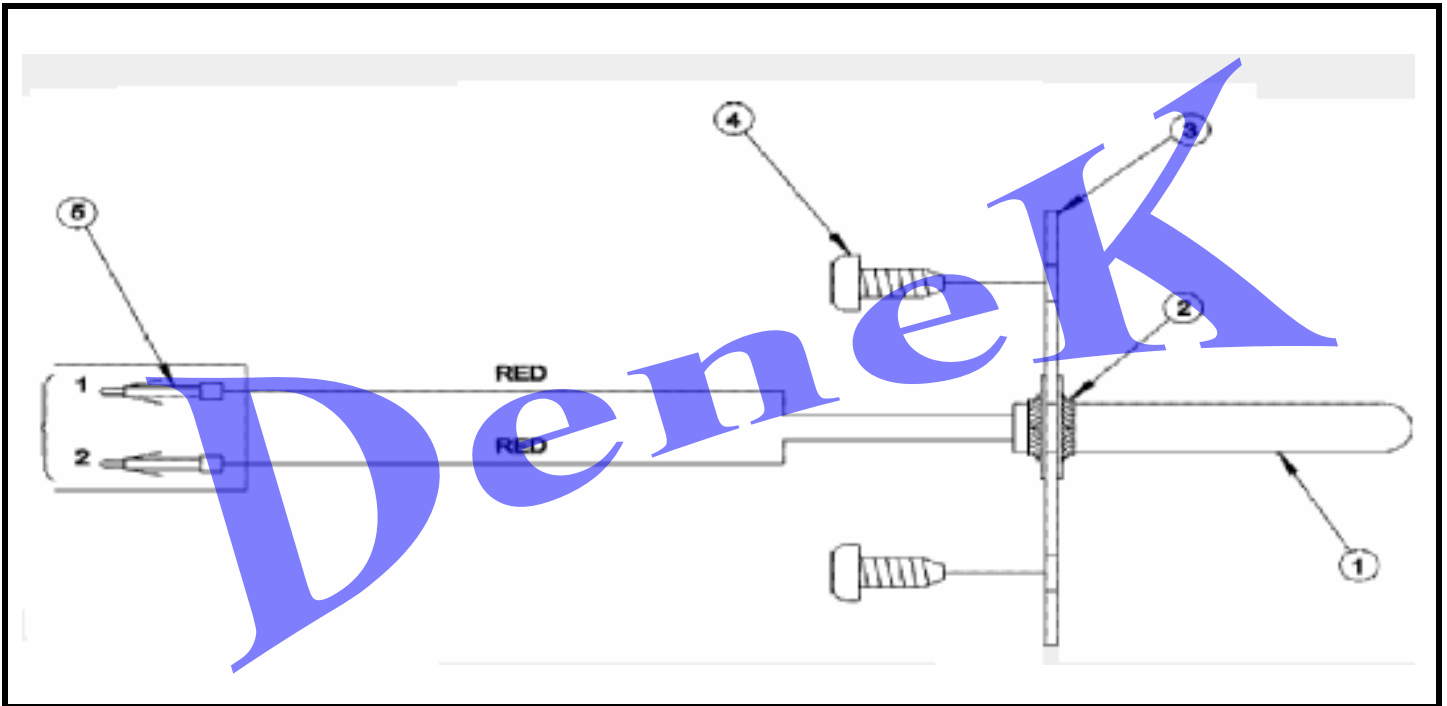
SOLENOID AND PIPING (SAFE)



0	A000000	ORDER PART FROM AMERICAN DRYER
1	A165114	VALVE, SOLENOID (SAFE)
2	A143220	TEE, BRASS 3/8
3	A143251	PLUG, BRASS 3/8
4	A143208	CONNECTOR, BRASS 3/8
5	A143099	TUBING, WALL COPPER (FOOT)
6	A311588	MOUNTING PLATE, SPRINKLER
7	A143303	LOCKNUT, BRASS
8	A143155	ELBOW, BRASS 90 DEG
9	A150430	SCREW, SELF DRILLING (PH)
10	A150301	SCREW, TEK (#8-18 X 7/16 PH)
11	A143581	NOZZLE, SPRAY
12	A142888	BUSSING, 1/2 X 3/8
13	A824081	NETWORK, R.C.

MAYTAG MDG50PNHWQ

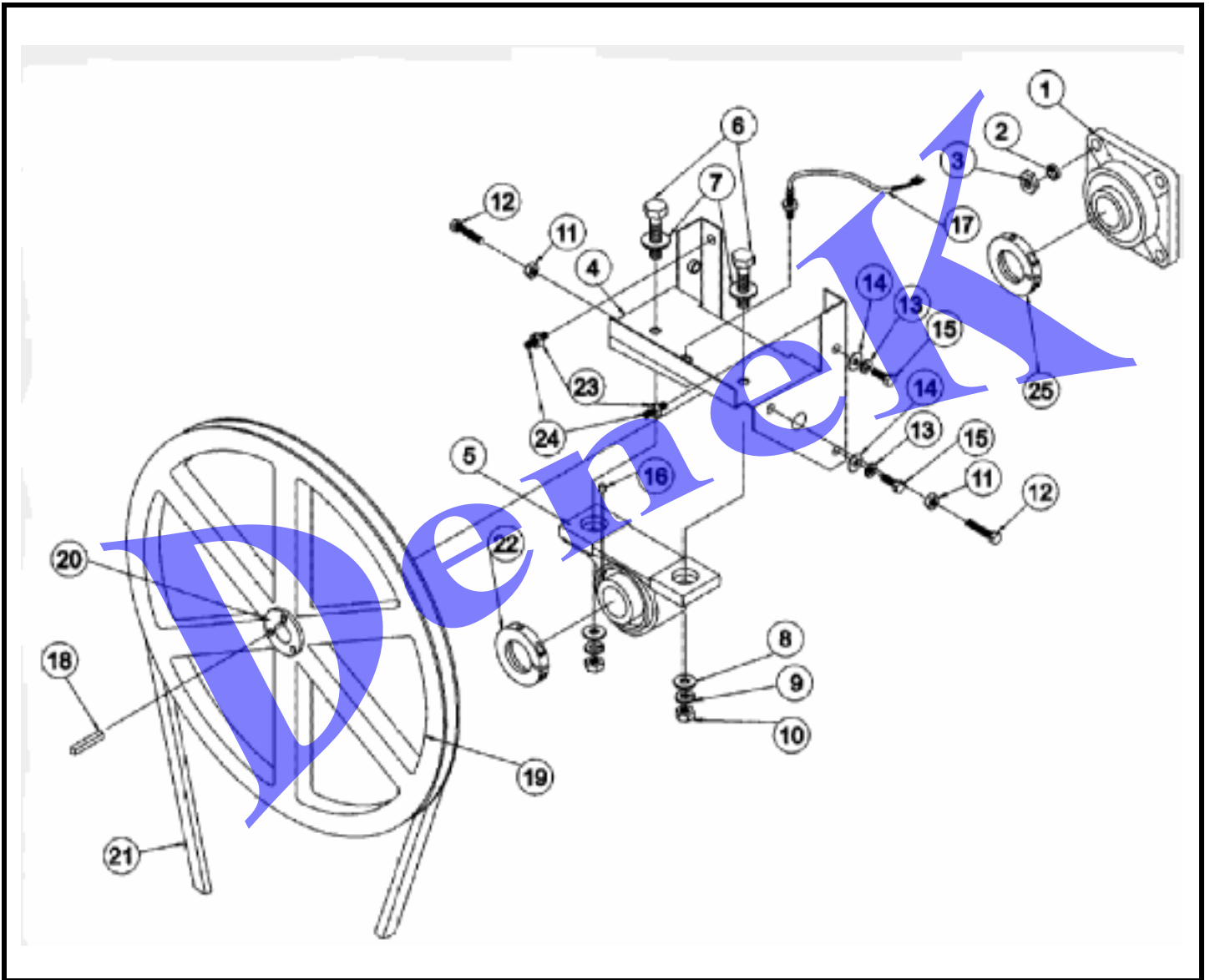
TEMPERATURE PROBE (SAFE)



0	A000000	ORDER PART FROM AMERICAN DRYER
1	A822752	PROBE, TEMP (COMPLETE)
2	A154007	FASTENER, PUSH-ON (1/4")
3	A390390	BRACKET, SENSOR
4	A150301	SCREW, TEK (#8-18 X 7/16 PH
5	A122647	CONNECTOR (NO TERMINALS)

MAYTAG MDG50PNHWQ

TUMBLER BEARING



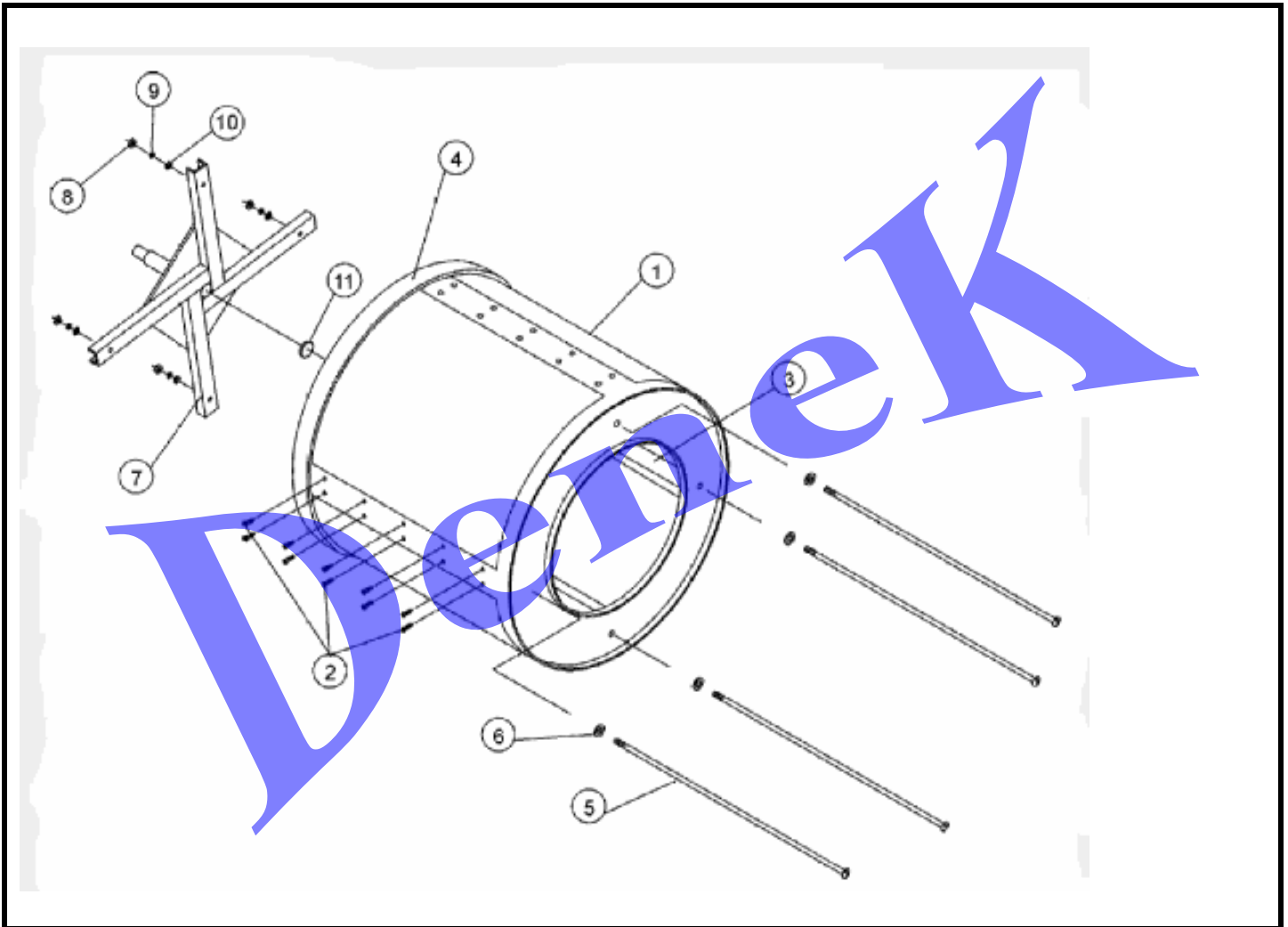
MAYTAG MDG50PNHWQ

TUMBLER BEARING

0	A000000	ORDER PART FROM AMERICAN DRYER
1	A883735	BEARING, FLANGE
2	A153025	LOCK WASHER (9/16")
3	A152050	HEX NUT (#9/16-12)
4	A882543	BEARING SUPPORT ONLY
4	A883736	BEARING, PILLOW BLOCK, COMPLETE
5	A883710	BEARING, PILLOW BLOCK
6	A150601	BOLT, MACHINE
7	A153004	WASHER, FLAT (3/8")
8	A153004	WASHER, FLAT (3/8")
9	A153005	WASHER, LOCK (3/8")
10	A153005	WASHER, LOCK (3/8")
11	A152004	NUT, HEX (#18-5/16)
12	A150621	BOLT, MACHINE (#18-5/16X1 1/2)
13	A153002	WASHER, LOCK (5/16")
14	A153004	WASHER, FLAT (3/8")
15	A150501	BOLT, MACHINE (#18-5/16 X 3/4)
16	A102120	SINTERED 8 MAGNET
17	A883386	SENSOR, ROTATIONAL
18	A100735	SHAFT KEY (FOR TAPER LOCK HUB)
19	A101100	PULLEY (18")
20	A101110	BUSHING
21	A100100	V-BELT
22	A100270	COLLAR, GRIPLOCK
23	A150610	SCREW, SET (#18-5/16" X 1 1/2)
24	A152004	NUT, HEX (#18-5/16)
25	A100272	COLLAR, GRIPLOCK

MAYTAG MDG50PNHWQ

TUMBLER SUPPORT



0	A000000	ORDER PART FROM AMERICAN DRYER
1	A880837	TUMBLER, GALVANIZED
1	A880838	TUMBLER, GALVANIZED COMPLETE
2	A150313	SCREW
2	A150429	TROX HAND DRIVER
3	A301302	TUMBLER RIB ONLY (LOW RIB)
3	A301311	TAPERED TUMBLER BAFFLE RIB (HI)
4	A401010	ADHESIVE, FELT COLLAR #847
4	A116001	FELT COLLAR
5	A100903	TIE ROD
6	A153004	WASHER, FLAT (3/8")
7	A800616	SUPPORT, TUMBLER
8	A152005	NUT, HEX (#16-3/8")
9	A153005	WASHER, LOCK (3/8")
10	A153004	WASHER, FLAT (3/8")
11	A115986	PAD, FELT TUMBLER 1/4X2