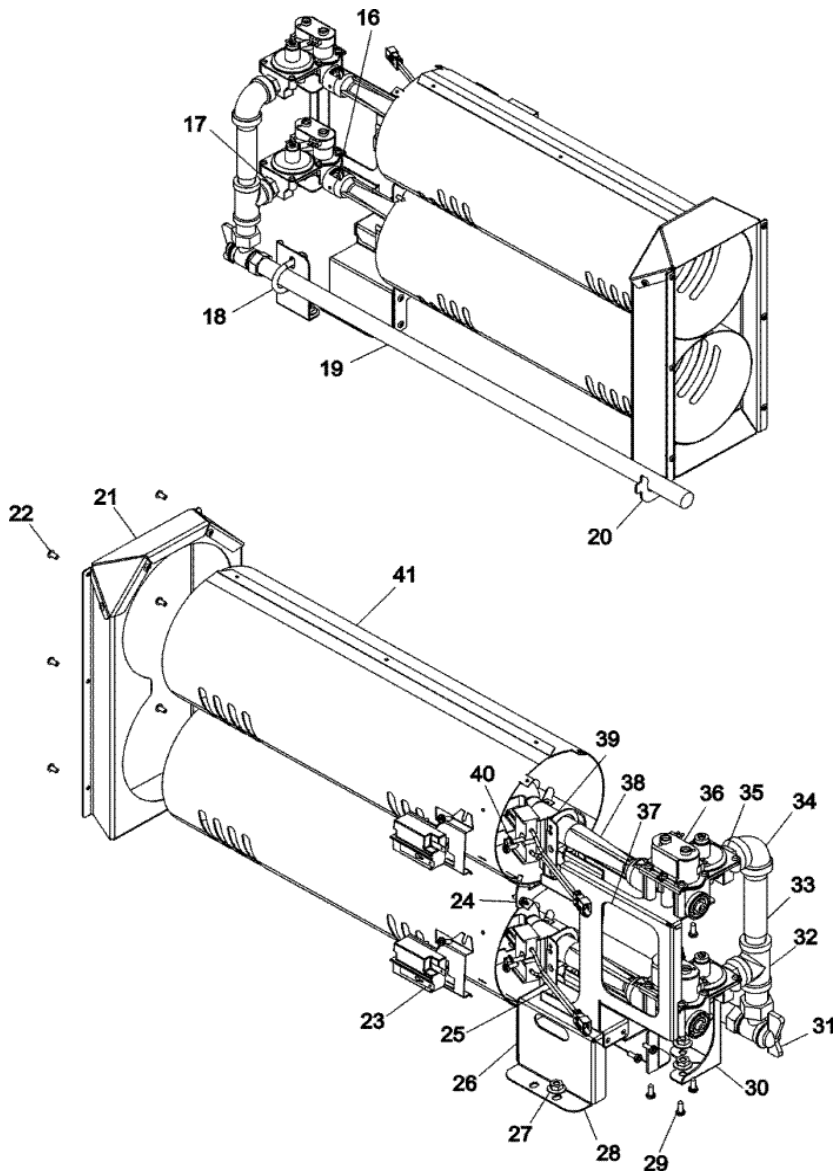


Distribuidor Autorizado

SurteRápido.com

Venta de Refacciones
Electrodomesticas

MDG51PDAWW BURNER ASSEMBLY

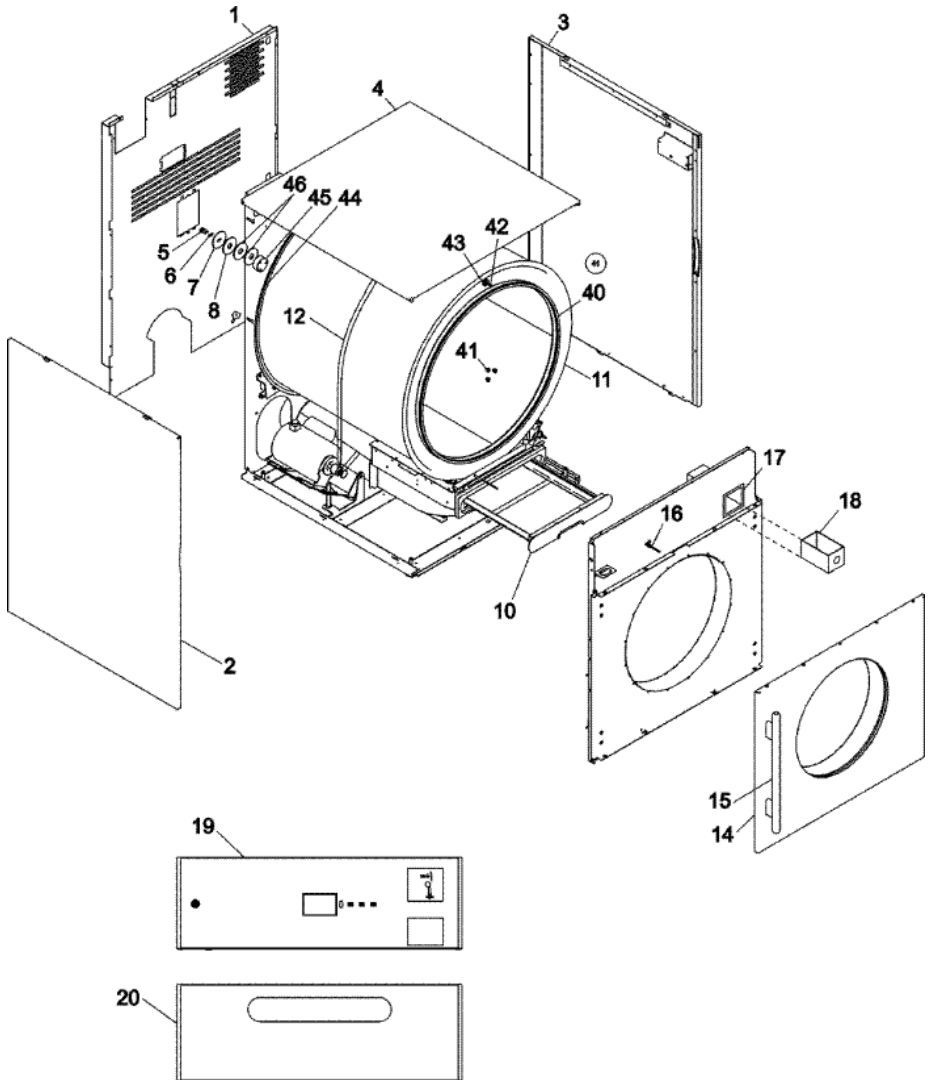




MDG51PDAWW BURNER ASSEMBLY

16	A851386	60HZ NAT GAS DUAL BRNR ASY 51 DESCONTINUADO
16	A140877	No.29 ORIFICE DESCONTINUADO
16	A884248	LP CONVERSION KIT 51 DESCONTINUADO
17	A183137	3/8 CLOSE NIPPLE BLK IRON DESCONTINUADO
18	A154355	U-BOLT W/BOLTS 1/2 BLK PIPE DESCONTINUADO
19	A143344	1/2X26`` BLACK PIPE 51 DESCONTINUADO
20	A350226	REAR GAS PIPE SUPPORT DESCONTINUADO
21	A851387	BURNER FUNNEL TRANSITION ASY DESCONTINUADO
22	A154200	POP RIVET (5/32``) DESCONTINUADO
23	A130500	RASIAN CONTROL DESCONTINUADO
24	A350217	BURNER FUNNEL TOP LIP BRKT DESCONTINUADO
25	8182970	IGNITOR-GLOBAR (S/P)
26	A350218	BURNER FUNNEL SUPPORT BRKT DESCONTINUADO
27	A152014	NUT, FREE SPIN WASH (No.20-1/4) DESCONTINUADO
28	A350221	DUAL RD GAS BURNER SUPP BRKT DESCONTINUADO
29	A150331	8-18X1/2PAN HD TORX SCREW DESCONTINUADO
30	A350253	FRT GAS PIPE BRKT DESCONTINUADO
31	A881367	UNION, SHUT-OFF (1/2``) DESCONTINUADO
32	A142820	1/2X1/2X1/2 BLK IRON TEE DESCONTINUADO
33	A142703	NIPPLE DESCONTINUADO
34	A142500	1/2`` X 90 DEGREE ELBOW DESCONTINUADO
35	A142953	3/8X1/2 STL BUSHING DESCONTINUADO
36	A128944	GAS VALVE 120VAC 60HZ DESCONTINUADO
37	A350220	DUAL GAS VALVE BRKT DESCONTINUADO
38	A183144	INSHOT BURNER TUBE DESCONTINUADO
39	A185063	IGNITER BRKT DESCONTINUADO
40	A183145	No.8-32x7/8`` HX SCREW W/WSHR DESCONTINUADO
41	A350219	RD GAS BURNER FUNNEL 51 DESCONTINUADO

MDG51PDAWW CABINET

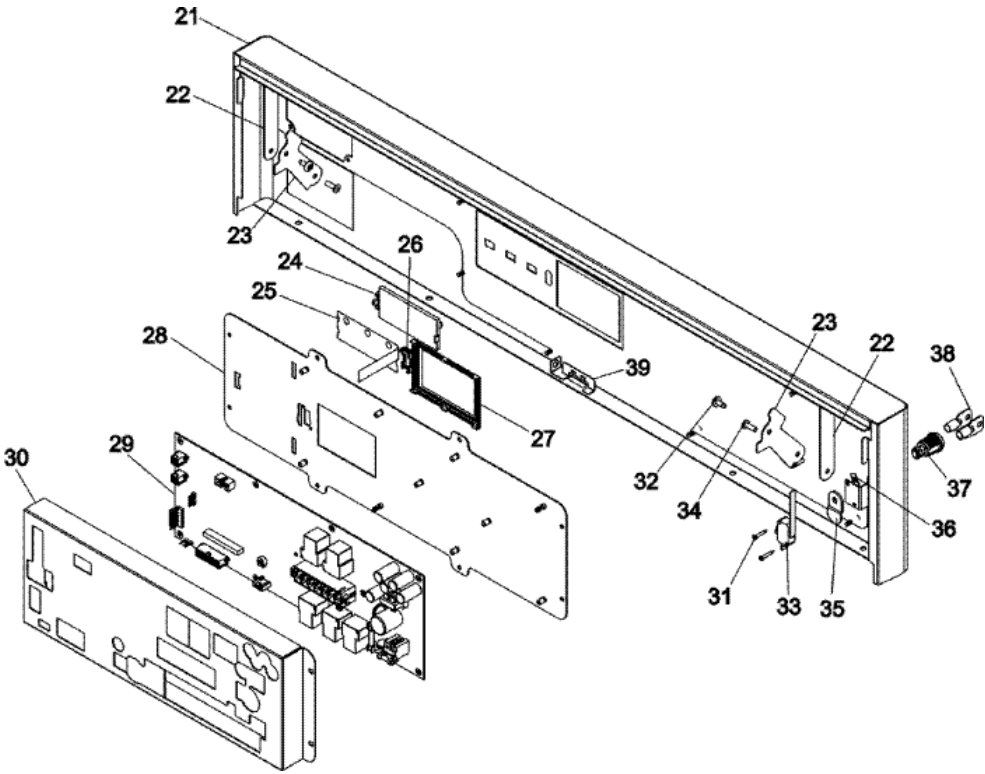




MDG51PDAWW CABINET

1	A851399	BACK GUARD ASY DESCONTINUADO
2	A851253	PANEL, LH SIDE ASY 51 DESCONTINUADO
3	A851255	PANEL, RH SIDE ASY 51 DESCONTINUADO
4	A851268	PANEL, TOP ASY 51 DESCONTINUADO
6	A153072	WASHER, SPRING DESCONTINUADO
7	A318891	WASHER, BACKUP DESCONTINUADO
10	A819295	LG LINT DRWR ASY DESCONTINUADO
11	A851374	GALVANIZED TUMBLER ASY 51 DESCONTINUADO
12	A102409	DRIVE BELT 51 DESCONTINUADO
13	A884344	PANEL, FRT TUMBLER SUP ASY DESCONTINUADO
13	A851371	FRT WHL TUMBLER SUP ASY DESCONTINUADO
13	A180051	WHEEL ONLY DESCONTINUADO
14	8182856	DOOR HINGE (S/P)
14	A851351	MAIN DOOR COMPLETE ASY DESCONTINUADO
15	A884360	MAIN DOOR HANDLE DESCONTINUADO
16	A818370	SENSOR, ROTATION DESCONTINUADO
17	A122002	SWITCH, LINT DRAWER DESCONTINUADO
17	A851384	COIN VAULT ASY DESCONTINUADO
18	A125916	COIN BOX ASY DESCONTINUADO
19	A818213	COIN DROP ASY DESCONTINUADO
19	A125172	OPTIC SWITCH DESCONTINUADO
19	A125805	COIN DROP ONLY DESCONTINUADO
19	A851513	PHASE8 COIN CNTRL PNL COMP DESCONTINUADO
20	A185121	PANEL, LOWER DESCONTINUADO
40	A401010	ADHESIVE, FELT COLLAR No.847 DESCONTINUADO
40	A115911	FT TUMBLER FELT DESCONTINUADO
42	A102004	MAGNET DESCONTINUADO
43	A154217	1/8 POP RIVET DESCONTINUADO
44	A401010	ADHESIVE, FELT COLLAR No.847 DESCONTINUADO
44	A115909	REAR TUMBLER FELT DESCONTINUADO
45	A185240	TUMBLER SHAFT DESCONTINUADO
46	A153048	PAD, INNER FRICTION DESCONTINUADO
47	A851409	DRYER PEDESTAL 51 DESCONTINUADO

MDG51PDAWW CONTROL PANEL

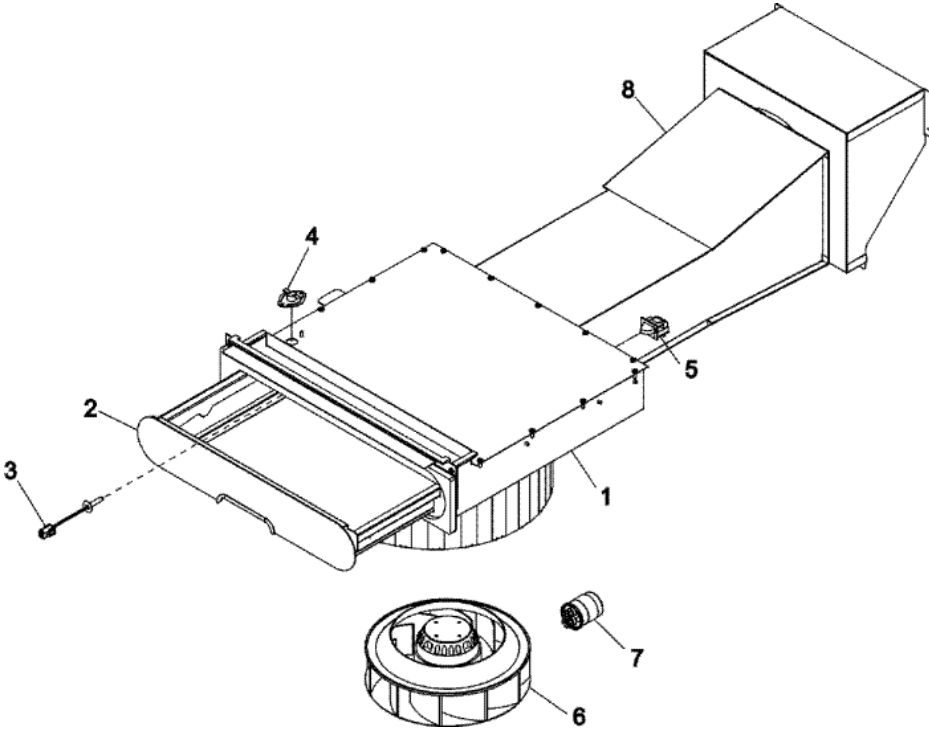




MDG51PDAWW CONTROL PANEL

21	A884361	PANEL, PHS 8 COIN CONTROL 51 DESCONTINUADO
22	A350203	DOOR GUIDE STRIP DESCONTINUADO
23	A350204	CABINET GUIDE STRIP DESCONTINUADO
24	A112551	THREE BUTTON ASY-COIN DESCONTINUADO
25	A112588	SWITCH, MEMBRANE DESCONTINUADO
26	A135008	COVER, TINTED INFRARED DESCONTINUADO
27	A112549	COVER, LCD DISPLAY (S/P)
28	A819421	DISPLAY MNT ASY, PHASE 8 DESCONTINUADO
29	A137272	COIN COMPUTOR, PHASE 8 DESCONTINUADO
30	A350250	COVER, PHASE8.1 CONTROL DESCONTINUADO
31	A150303	SCREW (No.4 X 3/4``) DESCONTINUADO
32	A150313	SCREW DESCONTINUADO
33	A122200	SWITCH, SAIL DESCONTINUADO
34	A154220	3/16 STL BTTN HD POP RIVET DESCONTINUADO
35	A160066	1-1/8`` CAM DESCONTINUADO
36	A154004	NUT, TWIN SPEED DESCONTINUADO
37	A160069	LOCK DESCONTINUADO
38	A160169	KEY, LOCK 160069 DESCONTINUADO
39	A819196	DOOR SWITCH ASY DESCONTINUADO
39	A813411	DR SWITCH EXT HARN DESCONTINUADO

MDG51PDAWW LINT AND BLOWER

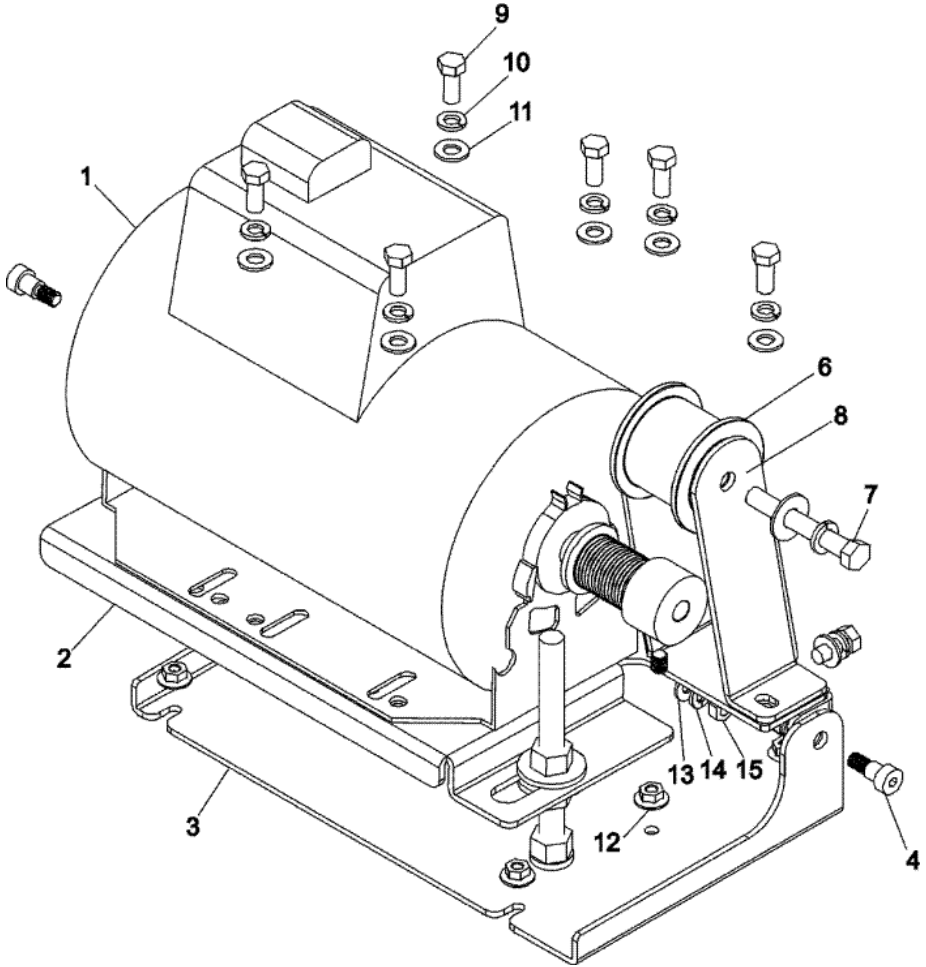




MDG51PDAWW LINT AND BLOWER

1	A819299	LRG LINT BOX ASY DESCONTINUADO
2	A819295	LG LINT DRWR ASY DESCONTINUADO
3	A818369	EXHAUST TEMP PROBE ASY DESCONTINUADO
4	A130119	L190 AUTO THERMOSTAT DESCONTINUADO
5	A122002	SWITCH, LINT DRAWER DESCONTINUADO
6	A813406	BIWR MTR HARN DESCONTINUADO
6	A100645	115V IMPELLOR ONLY DESCONTINUADO
6	A150687	MOUNTING SCREWS DESCONTINUADO
6	A851242	115V IMPELLOR & CAP ASY DESCONTINUADO
6	A153007	WASHER, LOCK (1/4``) DESCONTINUADO
7	A100618	CAP FOR 115V BLOWER IMPELLOR DESCONTINUADO
8	A851292	BLOWER HSG FINAL ASY 51 DESCONTINUADO

MDG51PDAWW MOTOR

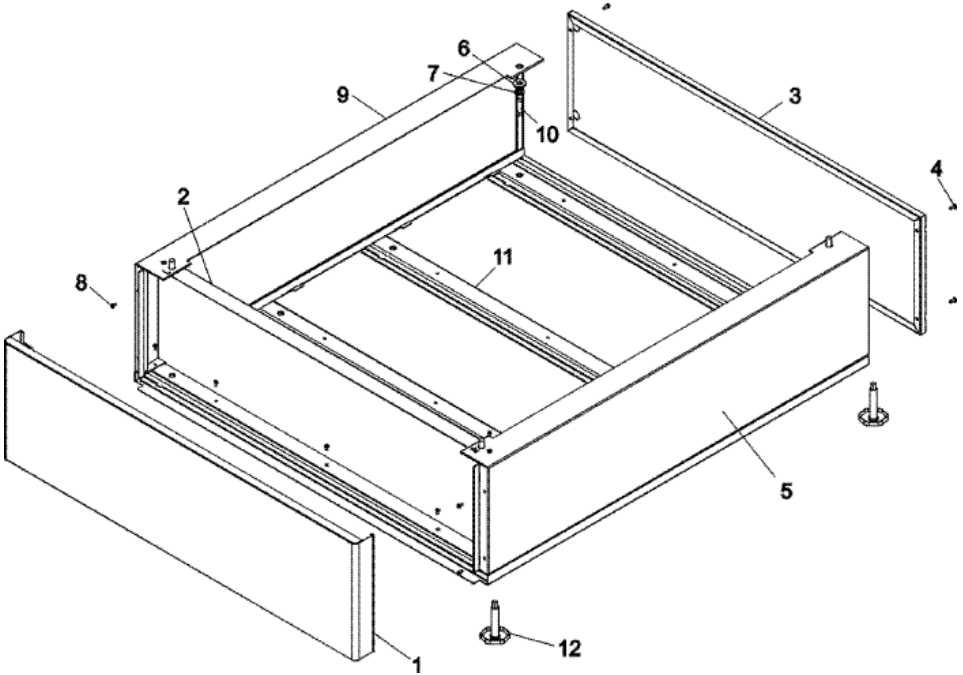




MDG51PDAWW MOTOR

1	A851440	1HP 60HZ MTR ASY W/MOUNT 51 DESCONTINUADO
1	A181127	1HP 60HZ MOTOR ONLY DESCONTINUADO
2	A851285	MTR MNT CLINCH NUT ASY DESCONTINUADO
3	A851284	MTR MNT BASE ASY DESCONTINUADO
4	A154266	SCREW 3/8`x3/8` (5/16-18) DESCONTINUADO
6	A100281	IDLER WHEEL DESCONTINUADO
7	A150634	3/8X23/4HEX CAP BOLT DESCONTINUADO
8	A851510	IDLER ARM DESCONTINUADO
9	A150501	BOLT, MACHINE (No.18-5/16 X 3/4) DESCONTINUADO
10	8182939	WASHER, LOCK (5/16`) (S/P)
11	A153001	WASHER, FLAT (5/16`) DESCONTINUADO
12	A152014	NUT, FREE SPIN WASH (No.20-1/4) DESCONTINUADO
13	A153018	WASHER, FLAT (1/4`) DESCONTINUADO
14	8182939	WASHER, LOCK (5/16`) (S/P)
15	8182933	NUT, HEX (No.18-5/16) (S/P)

MDG51PDAWW PEDESTAL

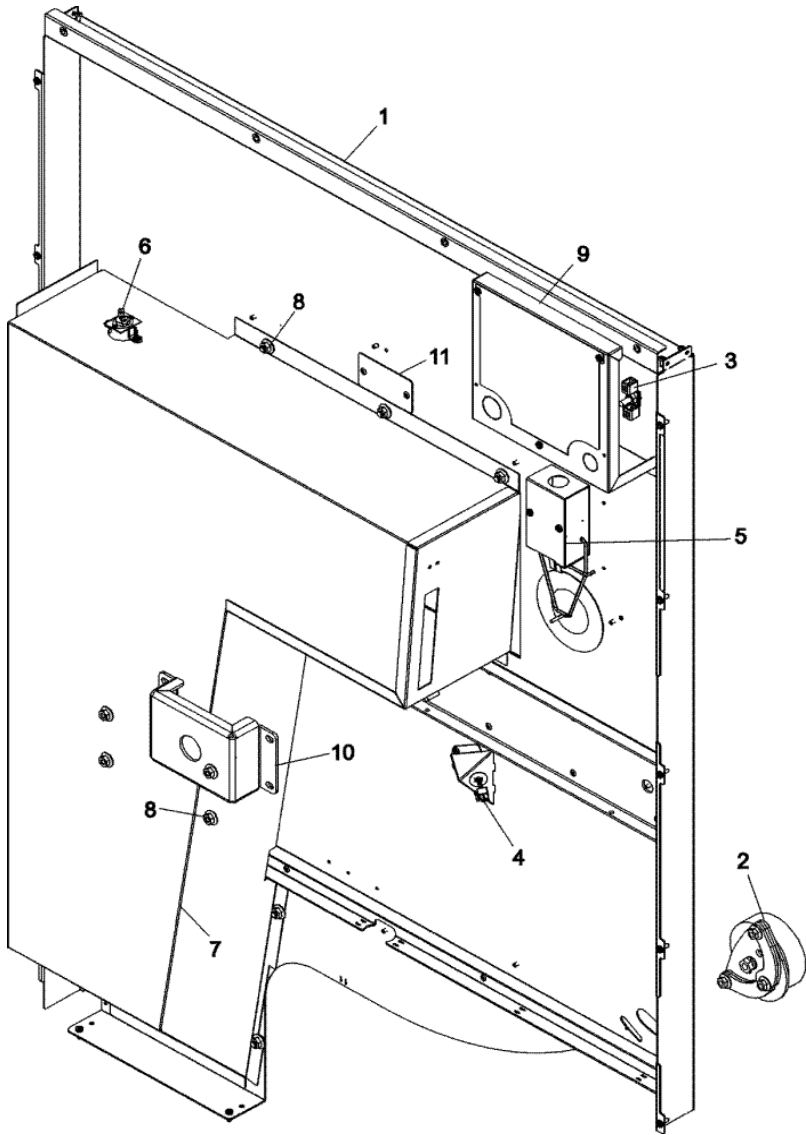




MDG51PDAWW PEDESTAL

1	A319582	11-REDESTAL FRONT 51&77 DESCONTINUADO
2	A318584	PEDESTAL INNER SUPPORT DESCONTINUADO
3	A350181	11-PEDESTAL BACK 51&77 DESCONTINUADO
4	A153331	8-18x.5-PAN HEAD SCREW DESCONTINUADO
5	A319581	11-PEDESTAL RH SIDE 51 DESCONTINUADO
6	A153004	WASHER, FLAT (3/8``) DESCONTINUADO
7	A153005	WASHER, LOCK (3/8``) DESCONTINUADO
8	A154200	POP RIVET (5/32``) DESCONTINUADO
9	A319580	11-PEDESTAL LH SIDE 51 DESCONTINUADO
10	A150617	BOLT, MACHINE (No.16-3/8 X 1``) DESCONTINUADO
11	A851408	PEDESTAL BASE 51 DESCONTINUADO
12	A103500	LEG, LEVELING (ADJUSTABLE) DESCONTINUADO

MDG51PDAWW REAR TUMBLER



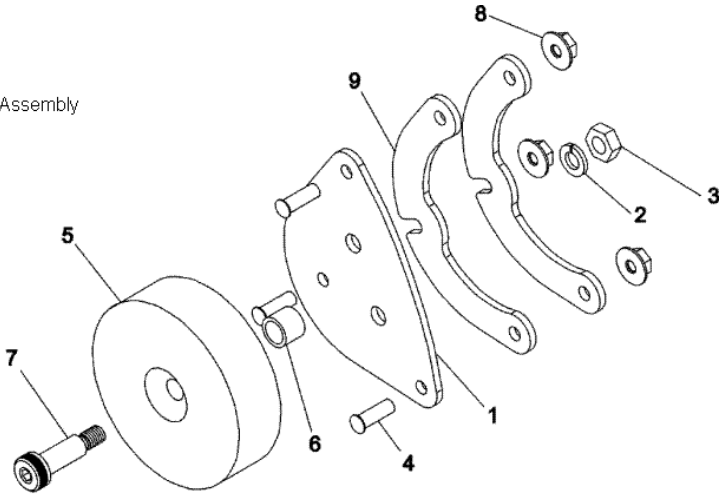


MDG51PDAWW REAR TUMBLER

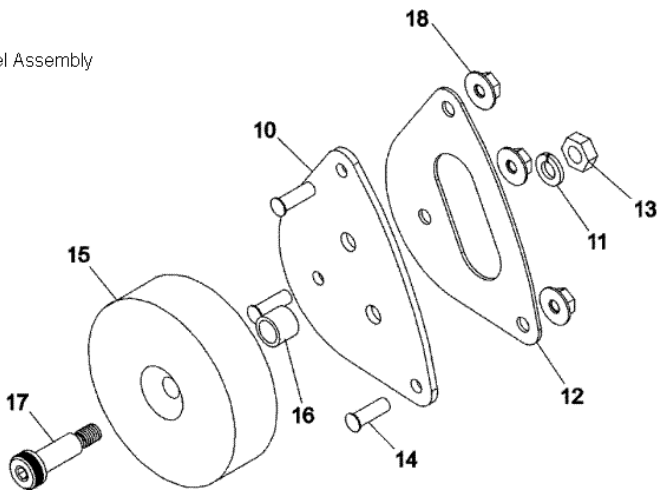
1	A851263	REAR TUMBLER SUPPORT ASY DESCONTINUADO
2	A851372	REAR THUMBLER SUP ASY DESCONTINUADO
2	A180060	3.5`` WHEEL DESCONTINUADO
3	A121010	LUG, GROUND (L-70) DESCONTINUADO
4	A851258	AXIAL PROBE ASY DESCONTINUADO
5	A818692	SWITCH ASY COMPLETE DESCONTINUADO
5	A122200	SWITCH, SAIL DESCONTINUADO
6	A183112	THERMOSTAT HI-LIMIT GAS DESCONTINUADO
7	A851262	HEAT DUCT DESCONTINUADO
8	A152014	NUT, FREE SPIN WASH (No.20-1/4) DESCONTINUADO
9	A350238	REAR ELECTRIC BOX COVER DESCONTINUADO
9	A350237	REAR ELECTRIC BOX DESCONTINUADO
10	A350228	THRUST BEARING BOX DESCONTINUADO
11	A318691	COVER PLATE DESCONTINUADO

MDG51PDAWW ROLLER WHEEL

Rear Wheel Assembly



Front Wheel Assembly

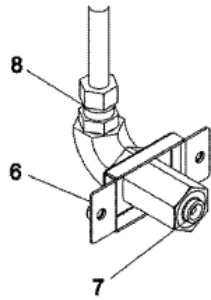
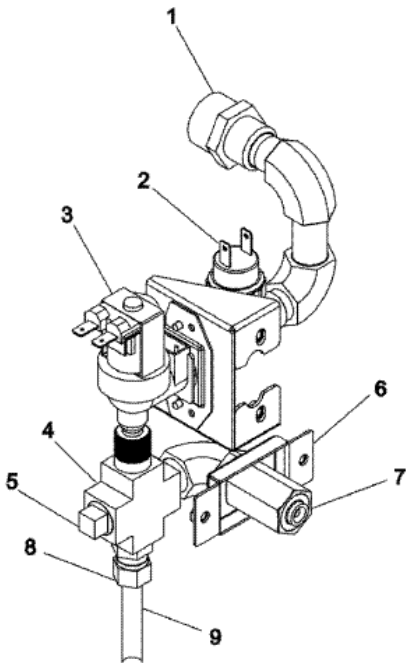




MDG51PDAWW ROLLER WHEEL

1	A350196	WHEEL BRACKET DESCONTINUADO
2	8182939	WASHER, LOCK (5/16``) (S/P)
3	A154013	M10 HEX NUT DESCONTINUADO
4	A153557	1/4-20 x 3/5- CLINCH STUD DESCONTINUADO
5	A180060	3.5`` WHEEL DESCONTINUADO
6	A154284	TUMBLER WHEEL SPACER DESCONTINUADO
7	A154267	M10x25MM SHOULDER SCREW DESCONTINUADO
8	A152014	NUT, FREE SPIN WASH (No.20-1/4) DESCONTINUADO
9	A350198	SHIM, REAR WHEEL BRACKET DESCONTINUADO
10	A350196	WHEEL BRACKET DESCONTINUADO
11	8182939	WASHER, LOCK (5/16``) (S/P)
12	A350197	SHIM, FRONT WHEEL BRACKET DESCONTINUADO
13	A154013	M10 HEX NUT DESCONTINUADO
14	A153557	1/4-20 x 3/5- CLINCH STUD DESCONTINUADO
15	A180060	3.5`` WHEEL DESCONTINUADO
16	A154284	TUMBLER WHEEL SPACER DESCONTINUADO
17	A154267	M10x25MM SHOULDER SCREW DESCONTINUADO
18	A152014	NUT, FREE SPIN WASH (No.20-1/4) DESCONTINUADO

MDG51PDAWW SAFE SYSTEM





MDG51PDAWW SAFE SYSTEM

1	A143025	NYLON HOSE ADAPTOR DESCONTINUADO
2	A136987	SWITCH, PRESSURE DESCONTINUADO
3	A165120	VALVE WATER DESCONTINUADO
4	A143236	3/8- BRASS CROSS DESCONTINUADO
5	A143251	PLUG, BRASS 3/8 DESCONTINUADO
6	A318422	S.A.F.E. BRACKET DESCONTINUADO
7	A143581	NOZZLE, SPRAY DESCONTINUADO
8	A143208	CONNECTOR, BRASS 3/8 DESCONTINUADO
9	A143099	TUBING, WALL COPPER (FOOT) DESCONTINUADO