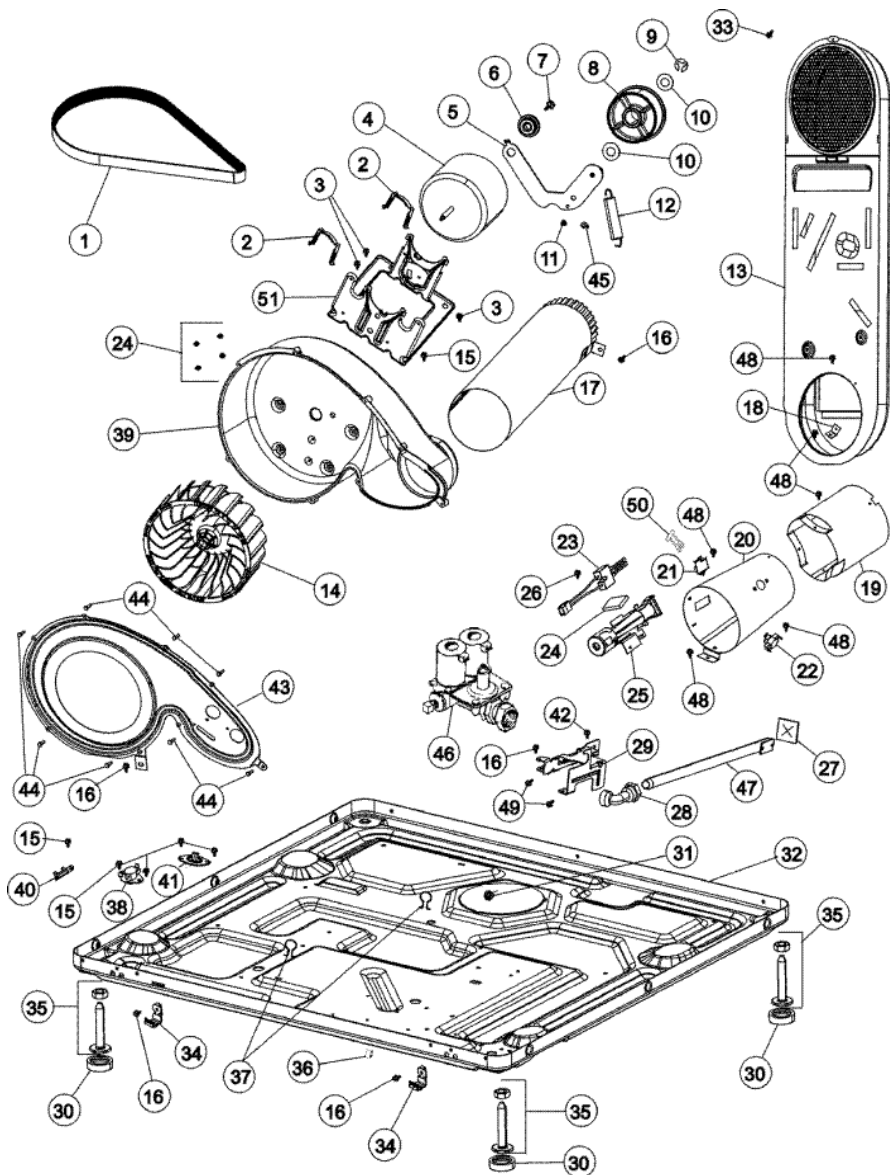


Distribuidor Autorizado

SurteRápido.com

Venta de Refacciones  
Electrodomesticas

## MDG6800AWW BASE





## MDG6800AWW BASE

1	33002535	V-BELT (TUMBLER)
2	33002221	CLIP, MOTOR (S/P)
3	Y313561	<b>DESCONTINUADO</b>
4	33002795	MOTOR, DRIVE 60HZ
5	33001840	IDLER ARM & SHAFT ASSY.
6	315772	SLEEVE, IDLER ARM (S/P)
7	Y014874	SCREW (S/P)
8	33001783	BEARING, IDLER ASSEMBLY
9	312958	RETAINING RING, IDLER SHAFT (S/P)
10	Y312527	WASHER, IDLER SHAFT (QTY-1) (S/P)
11	33002218	GROMMET, IDLER ARM (S/P)
12	33002459	ASSEMBLY, SPRING & PLUG (S/P)
13	33002952	<b>DESCONTINUADO</b>
14	33002797	WHEEL, BLOWER
15	22002925	SCREW (S/P)
16	33002190	SCREW (No.10-3/8") (S/P)
17	33001800	DUCT ASSY., EXHAUST (S/P)
18	Y312890	RETAINER, HEATER CHAMBER (S/P)
19	Y303841	CONE, EXTENSION (COMBUSTION) (S/P)
20	33001835	CONE ASSY., COMBUSTION (S/P)
21	338906	SENSOR, RADIANT
22	303395	THERMOSTAT, HI-LIMIT (GAS)
23	33002789	IGNITER ASSEMBLY (S/P)
24	33002932	IGNITOR SHOCK PAD (S/P)
25	33002793	BURNER ASSEMBLY
26	304971	SCREW (S/P)
27	33001702	FLAP, PIPE (S/P)
28	33001842	CONNECTOR, ANGLE
29	33001834	<b>DESCONTINUADO</b>
30	314137	FOOT, RUBBER
31	33002157	GROMMET (S/P)
32	33002465	<b>DESCONTINUADO</b>
33	210932	SCREW, No.8 X 9/16 CTSK (S/P)

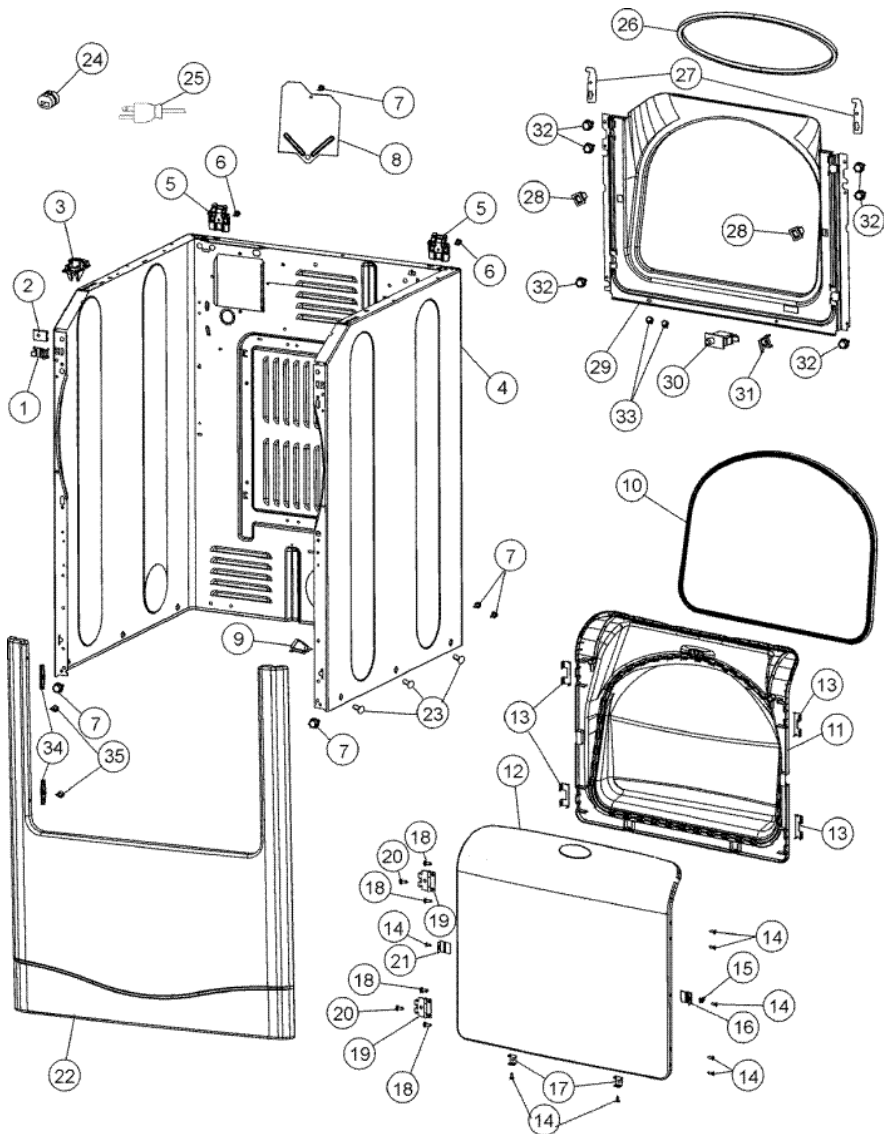
34	22002239	CLIP, LOWER FRONT PANEL (S/P)
35	305086	ADJUSTABLE LEG & NUT
36	22002244	CLIP, GROUNDING (S/P)
37	410490	SPRING, WIRE HARNESS (S/P)
38	33002567	THERMOSTAT, CYCLING (LIMIT) (S/P)
39	33001789	HOUSING, BLOWER (S/P)
40	33001762	FUSE, THERMAL (W` BRACKET)
41	307208	THERMISTOR, TEMP. CONTROL (S/P)
42	Y310632	SCREW (S/P)
43	33002711	COVER, BLOWER HOUSING (S/P)
44	33001855	SCREW (HEX HEAD) (S/P)
45	33002461	PLUG FOR SPRING (S/P)
46	306176	VALVE, GAS (S/P)
47	33003029	CONTROL, GAS ASSEMBLY (S/P)
47	33001735	PIPE & BRACKET ASSY. (S/P)
48	33001735	PIPE & BRACKET ASSY. (S/P)
49	314082	SCREW (S/P)
50	902577	CAPACITOR ASSY (S/P)
51	33002817	MOTOR SUPPORT, OFFSET (S/P)

Distribuidor Autorizado

SurteRápido.com

Venta de Refacciones  
Electrodomesticas

## MDG680AWW GABINETE

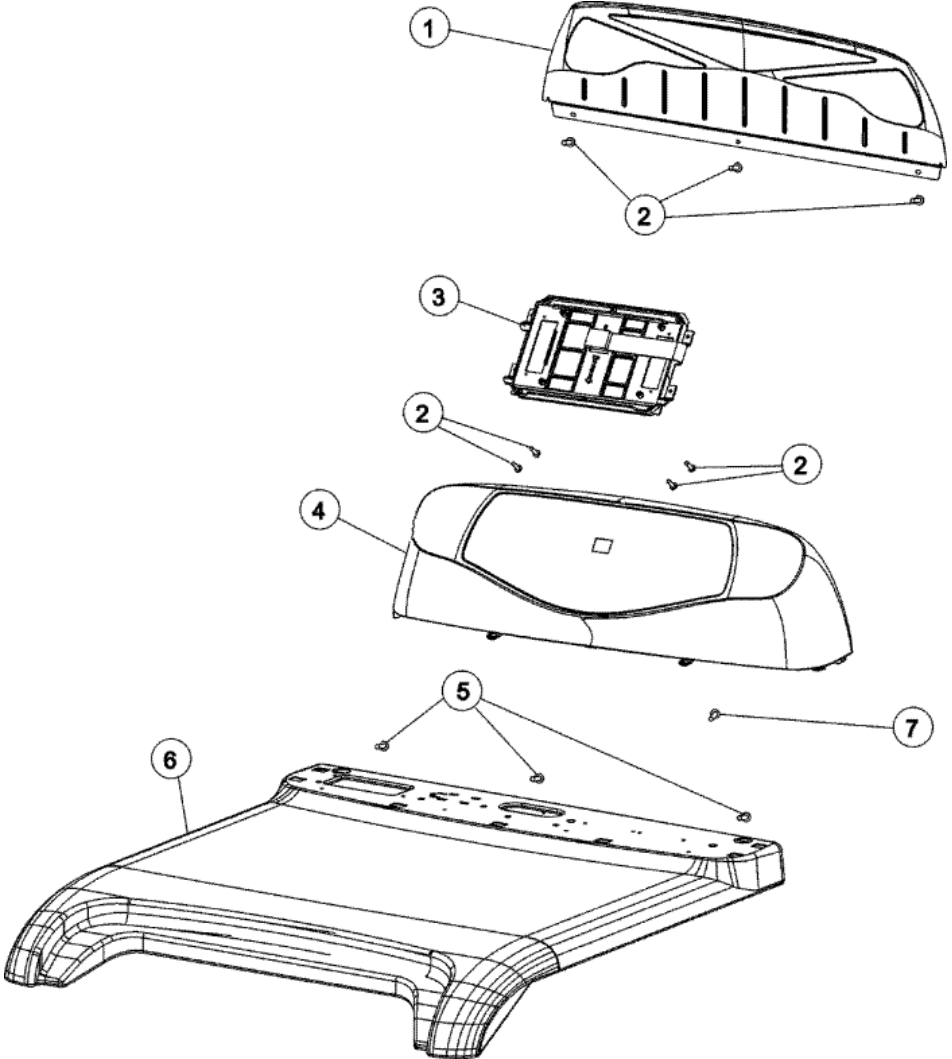




## MDG6800AWW GABINETE

1	22002049	CLIP (S/P)
2	213280	FRONT PANEL BRACKET/FASTENER (S/P)
3	33002891	PIN, LOCATOR (S/P)
4	22003639	<b>DESCONTINUADO</b>
5	22004095	HINGE, PLASTIC
6	22001995	SCREW (S/P)
7	33002190	SCREW (No.10-3/8``) (S/P)
8	33001795	COVER, TERMINAL BLOCK (S/P)
9	Y310376	CLIP, WIRE HARNESS (S/P)
10	33001807	SEAL, TUMBLER
11	33002889	DOOR, INNER W/SEAL (WHT) T (S/P)
12	33002887	DOOR, OUTER W/MED. AS PK WHT T (S/P)
13	22002038	CLIP, DOOR (DOUBLE) (S/P)
14	22002063	SCREW No.8-18AB WAFER HD (S/P)
15	33001761	STRIKE, DOOR (MALE) (S/P)
16	33001793	BRACKET, STRIKE (S/P)
17	22002039	CLIP, DOOR (SINGLE) (S/P)
18	22002062	SCREW (S/P)
19	33001759	HINGE, DOOR (S/P)
20	22002012	SCREW, HINGE (S/P)
21	33001763	PLUG, INNER DOOR (S/P)
22	33002882	PANEL, FRONT AS PACK (WHT) T (S/P)
23	33002794	SCREW (OVAL 6 LOBE) (S/P)
24	2-11881	GROMMET, CORD
25	22003062	CORD, POWER (AS WRAPPED) (S/P)
26	33001767	SEAL, SHROUD (S/P)
27	33002597	HOOK, SECURITY (S/P)
28	306436	DOOR LATCH KIT
29	33002033	SHROUD (WHT) (S/P)
29	33002379	SHROUD (BSQ) (S/P)
30	33001508	SWITCH, DOOR
31	33001760	BRACKET, HINGE (S/P)
34	33001764	COVER, HINGE HOLE (WHT) (S/P)

**MDG6800AWW TABLERO**

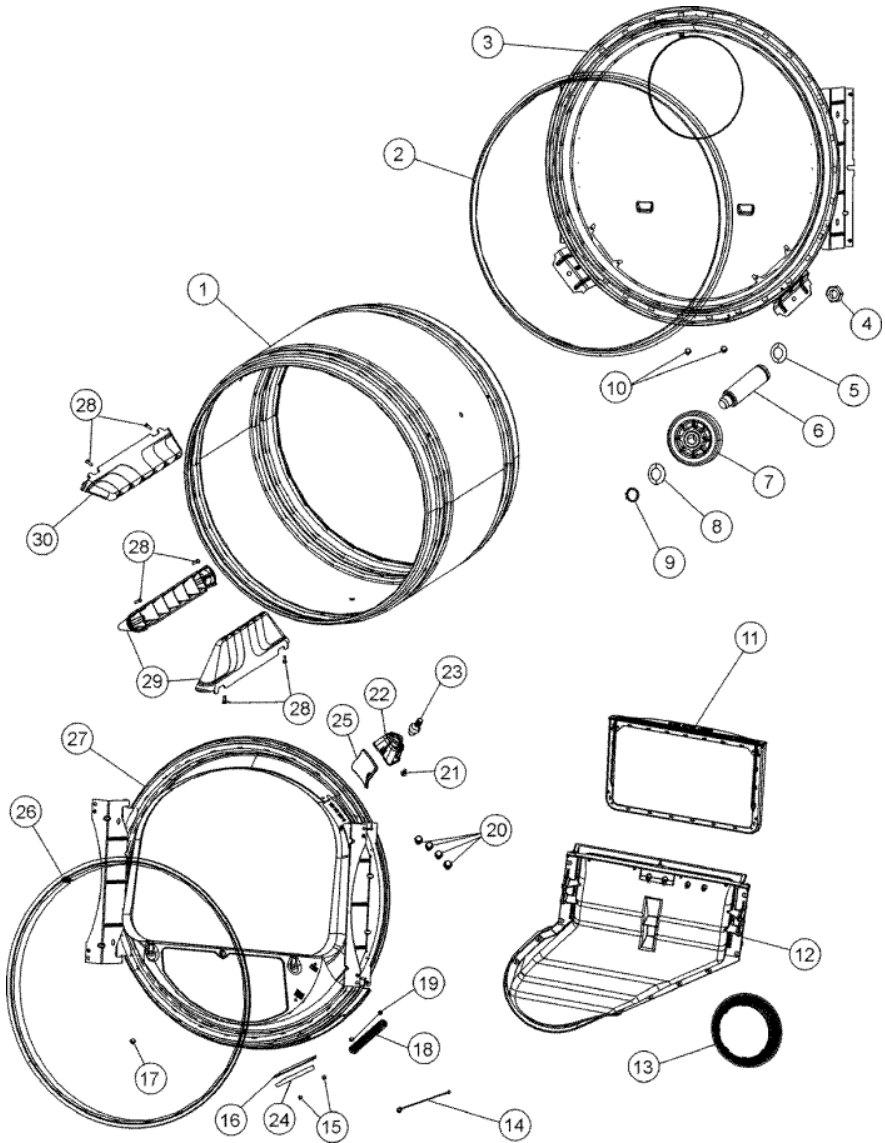




## MDG6800AWW TABLERO

1	33002893	CONSOLE BACK PANEL (S/P)
2	25001021	SCREW, No.8-16 TRUSS HD (S/P)
3	33003028	CONTROL BOARD LED AS PK NTD
4	33002896	CONSOLE/MEMBRANE WHT AP NTD (S/P)
5	22002925	SCREW (S/P)
6	33002884	TOP COVER - AS PACK (WHT) T (S/P)
7	22003817	SCREW, SERRATED WASHER HEAD HX (S/P)

**MDG6800AWW TAMBOR**







## MDG6800AWW TAMBOR

1	33001889	TUMBLER (S/P)
2	33001807	SEAL, TUMBLER
3	33002779	TUMBLER BACK & SEAL AS-PACK (S/P)
4	33001443	NUT, HEX (ROLLER SHAFT) (S/P)
5	312535	WASHER, ROLLER SHAFT (S/P)
6	Y312948	SHAFT, TUMBLER ROLLER (S/P)
7	12001541	DRUM ROLLER/WASHER ASSY.
8	312535	WASHER, ROLLER SHAFT (S/P)
9	410233	RING, RETAINING (S/P)
10	211294	SCREW (S/P)
11	33001808	FILTER, LINT
12	33001799	OUTLET DUCT ASSEMBLY
13	33002560	SEAL, BLOWER (S/P)
14	Y303711	SENSOR GROUND WIRE (S/P)
15	210720	RIVET (S/P)
16	306508	TUMBLER BEARING KIT
17	312311	<b>DESCONTINUADO</b>
18	33001809	SENSOR BAR ASSY.
19	33001078	PANEL, CONTROL (BLK) (S/P)
20	33001855	SCREW (HEX HEAD) (S/P)
21	33001871	SCREW (S/P)
22	33001870	HOLDER, LAMP (W/HOUSING) (S/P)
23	22002263	LAMP (10 WATT) (S/P)
24	312940	BEARING PAD F/TUMBLER FRONT (S/P)
25	33001869	LENS, DRUM LIGHT (S/P)
26	33001807	SEAL, TUMBLER
27	33001868	FRONT, TUMBLER FRONT W/SENSOR
28	33001788	SCREW, BAFFLE (S/P)
29	33002032	BAFFLE (TALL)
30	33001755	BAFFLE (SHORT)