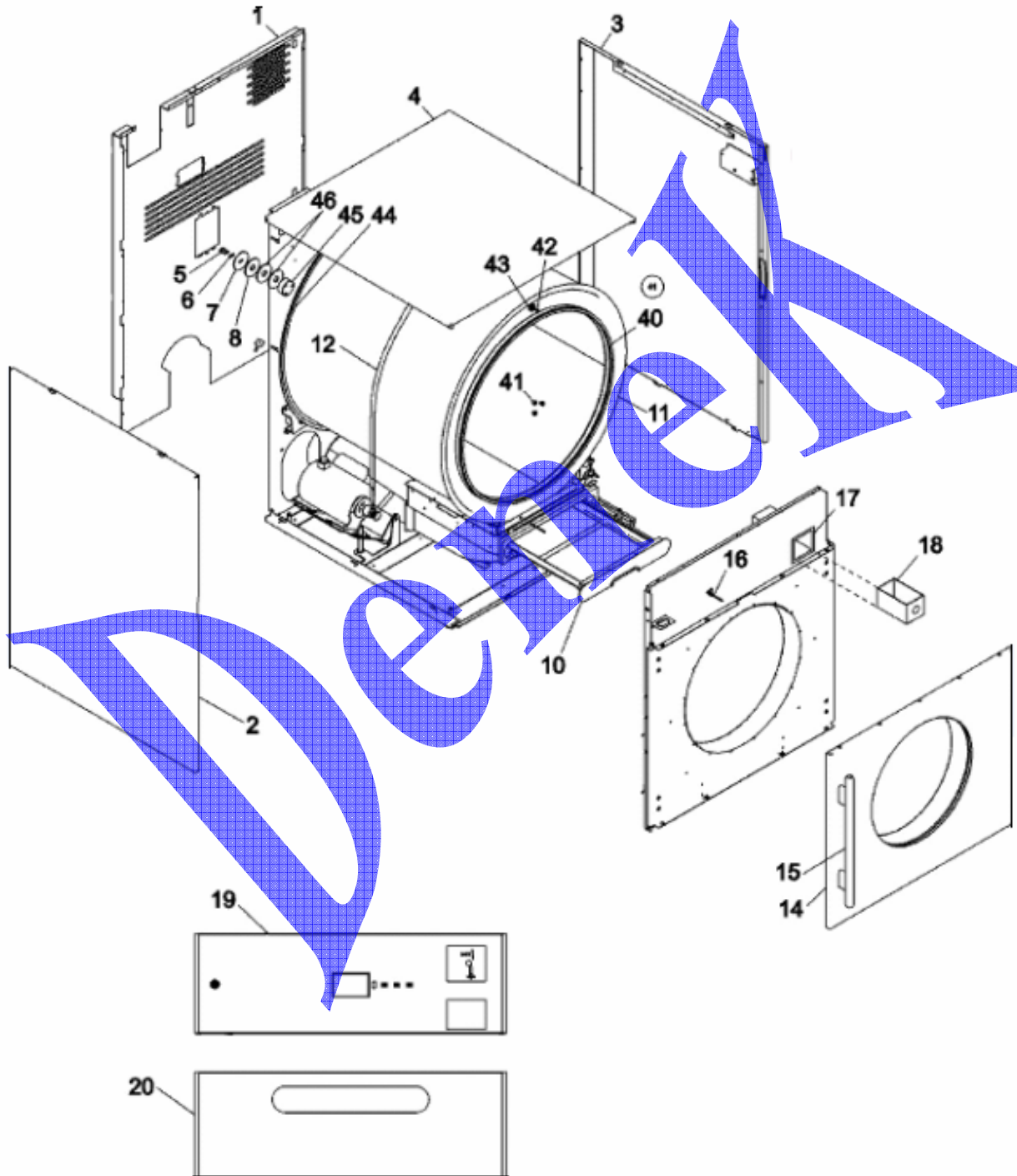


MTG SEC. MODEL. MDG77PNAWW

GABINETE



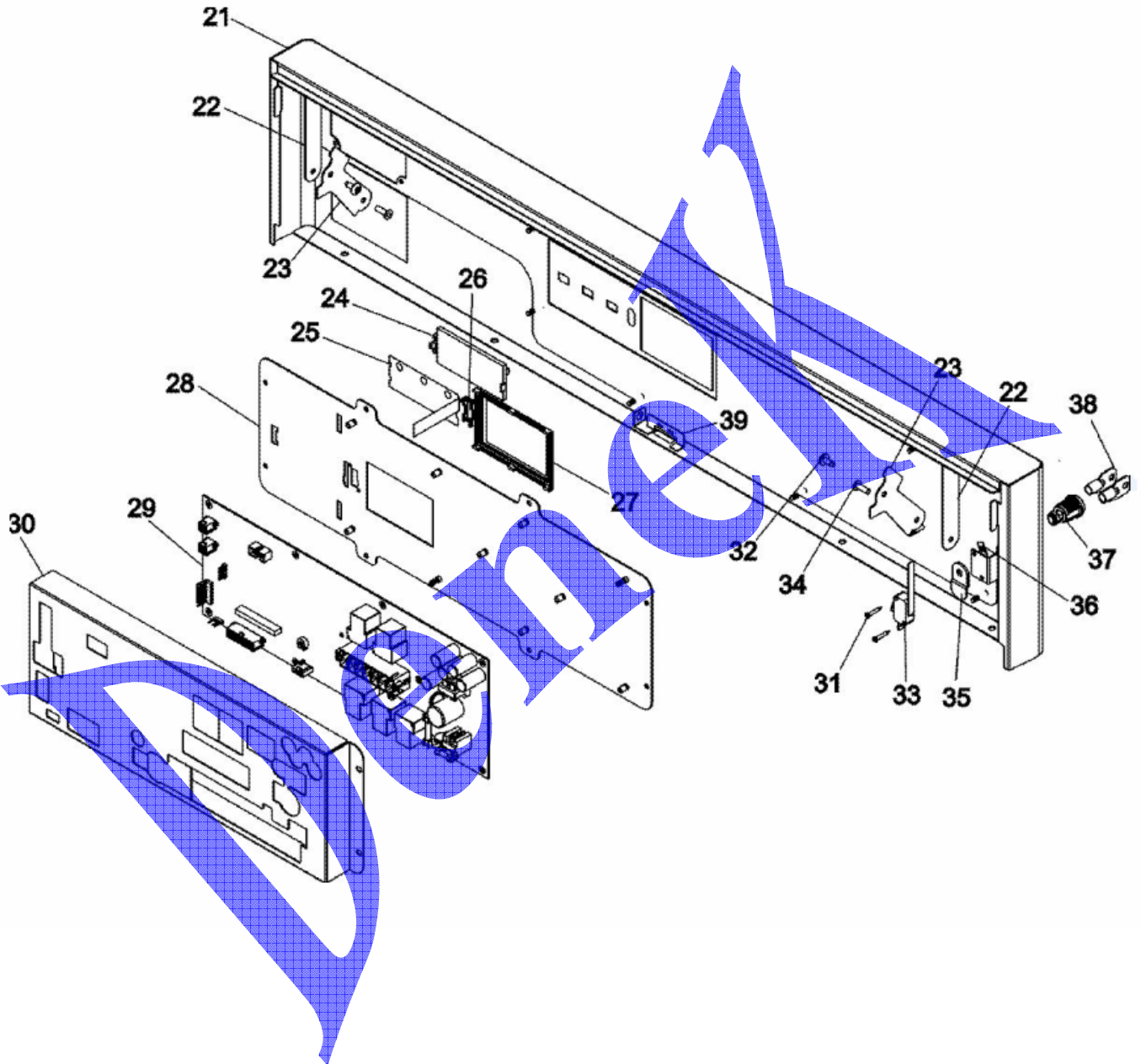
MTG SEC. MODEL. MDG77PNAWW

GABINETE

NUMERO	N.DE PARTE	DESCRIPCION
1	A851399	BACK GUARD ASY
2	A851345	PANEL, LH SIDE ASY 77
3	A851343	PANEL, RH SIDE ASY 77
4	A851367	PANEL, TOP ASY 77
5	A150445	CAP SCREW, BLACK
6	A153072	WASHER, SPRING
7	A318891	WASHER, BACKUP
8	A354217	3/4 PLATE SPACER
10	A819295	LG LINT DRWR ASY
10	A851380	SS LG LINT DRWR ASY
11	A851376	GALVANIZED TUMBLER ASY 77
11	A851370	SS TUMBLER ASY MDG77
12	A102410	DRIVE BELT 77
13	A180051	WHEEL ONLY
13	A851371	FRT WHL TUMBLER SUP ASY
13	A884344	PANEL, FRT TUMBLER SUP ASY
14	A851351	MAIN DOOR COMPLETE ASY
14	A103067	DOOR HINGE
14	A851532	SS MAIN DOOR COMP ASY
15	A884360	MAIN DOOR HANDLE
16	A818370	SENSOR, ROTATION
17	-----	NOT REQUIRED PART OR SEE NOTE
18	-----	NOT REQUIRED PART OR SEE NOTE
19	A851394	PH 8 OPL CONTROL PANEL COMP
20	A185122	SS PANEL, LOWER
20	A185121	PANEL, LOWER
40	A401010	ADHESIVE, FELT COLLAR #847
40	A115911	FT TUMBLER FELT
41	A150123	1/4 20X.25 CAP SCREW
42	A102004	MAGNET
43	A154217	1/8 POP RIVET
44	A115909	REAR TUMBLER FELT
44	A401010	ADHESIVE, FELT COLLAR #847
45	A185240	TUMBLER SHAFT
46	A153048	PAD, INNER FRICTION
47	A851411	DRYER PEDESTAL 77

MTG SEC. MODEL. MDG77PNAWW

PANEL DE CONTROL



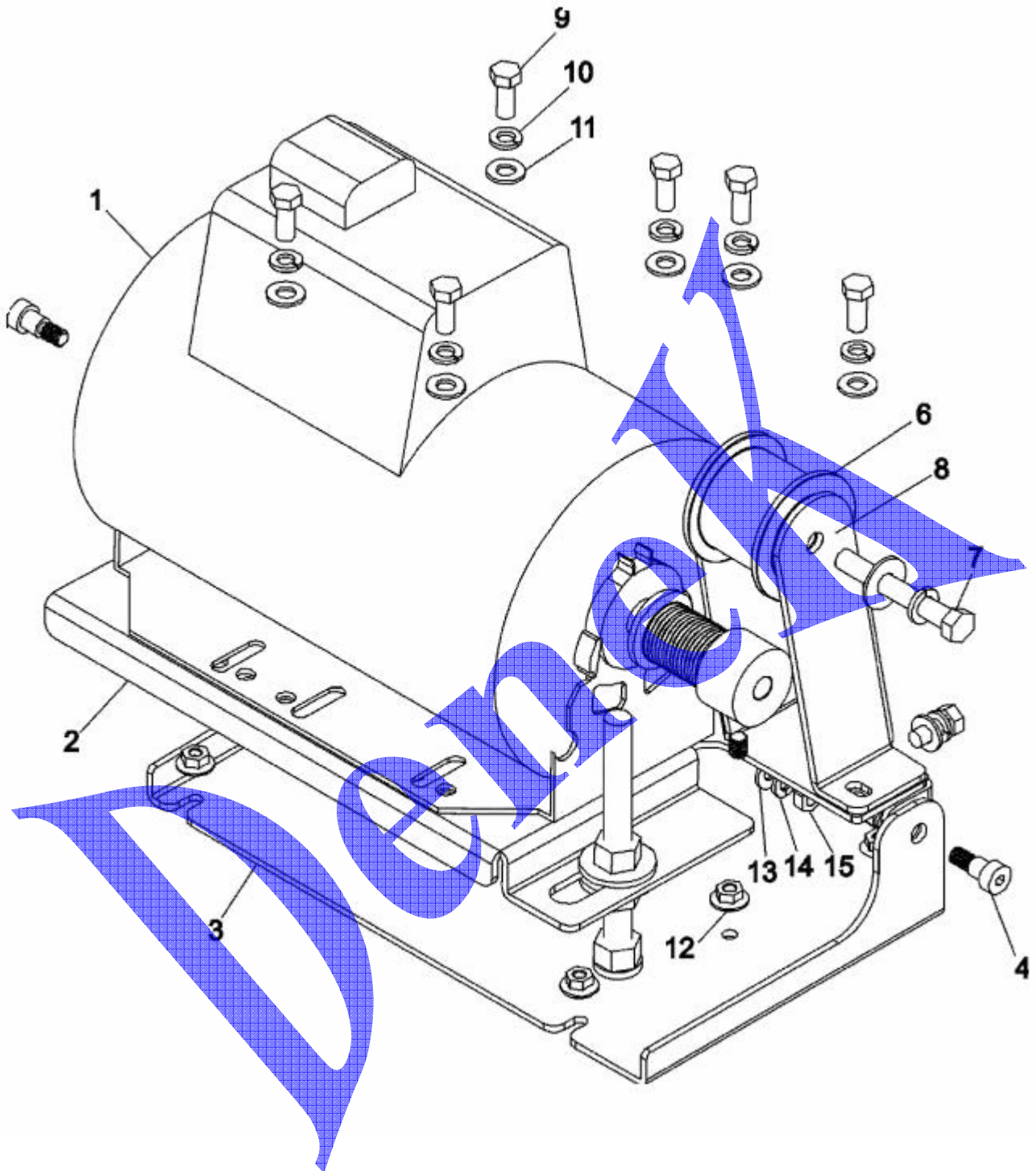
MTG SEC. MODEL. MDG77PNAWW

PANEL DE CONTROL

NUMERO	N.DE PARTE	DESCRIPCIÓN
21	A884362	PANEL,PHS 8 OPL CONTROL
22	A350203	DOOR GUIDE STRIP
23	A350204	CABINET GUIDE STRIP
24	A112551	THREE BUTTON ASY COIN
25	A112588	SWITCH, MEMBRANE
26	A135008	COVER, TINTED INFRARED
27	A112549	COVER, LCD DISPLAY
28	A819421	DISPLAY MNT ASY,PHASE 8
29	A137279	PHASE 8 OPL BOARD
30	A350250	COVER, PHASE8.1 CONTROL
31	A150303	SCREW (#4 X 3/4")
32	A150313	SCREW
33	A122200	SWITCH, SAIL
34	A154220	3/16 STL BTTN HD POP RIVET
35	A160066	1-1/8" CAM
36	A154004	NUT, TWIN SPEED
37	A160069	LOCK
38	A160169	KEY, LOCK 160069
39	A813411	DR SWITCH EXT HARN
39	A819196	DOOR SWITCH ASY

MTG SEC. MODEL. MDG77PNAWW

ENSAMBLE DEL MOTOR



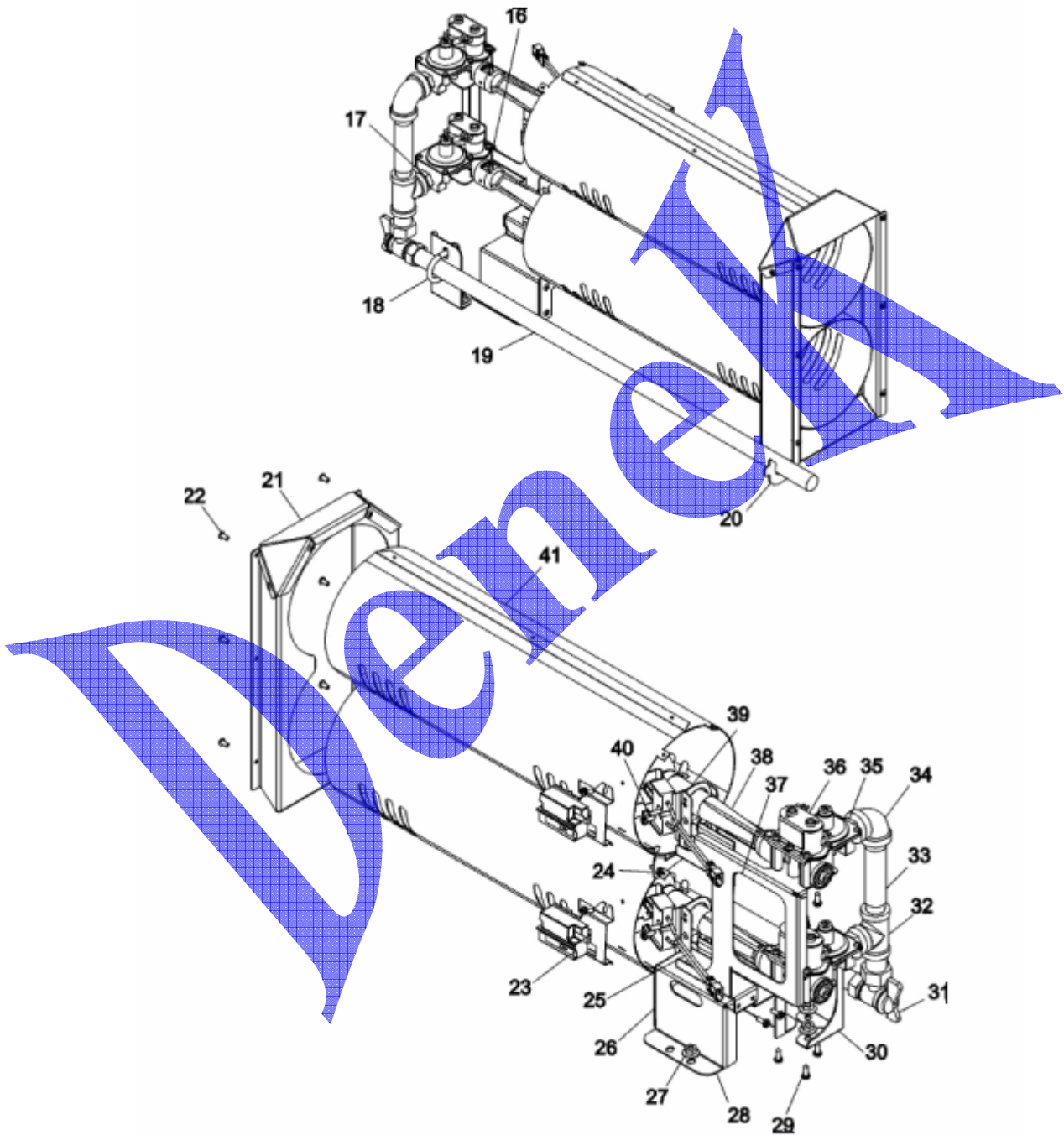
MTG SEC. MODEL. MDG77PNAWW

ENSAMBLE DEL MOTOR

NUMERO	N.DE PARTE	DESCRIPCION
1	A181127	1HP 60HZ MOTOR ONLY
1	A851442	1HP 60HZ MTR ASY W/MOUNT 77
2	A851285	MTR MNT CLINCH NUT ASY
3	A851284	MTR MNT BASE ASY
4	A154266	SCREW 3/8"x3/8" (5-16-18)
5	-----	NOT REQUIRED PART OR SEE NOTE
6	A100281	IDLER WHEEL
7	A150634	3/8X23/4HEX CAP BOLT
8	A851510	IDLER ARM
9	A150501	BOLT, MACHINE (#18-5/16 X 3/4)
10	A153002	WASHER, LOCK (5/16")
11	A153001	WASHER, FLAT (5/16")
12	A152014	NUT, FREE SPIN WASH (#20-1/4)
13	A153018	WASHER, FLAT (1/4")
14	A153002	WASHER, LOCK (5/16")
15	A152004	NUT, HEX (#18-5/16)

MTG SEC. MODEL. MDG77PNAWW

ENSAMBLE DEL QUEMADOR



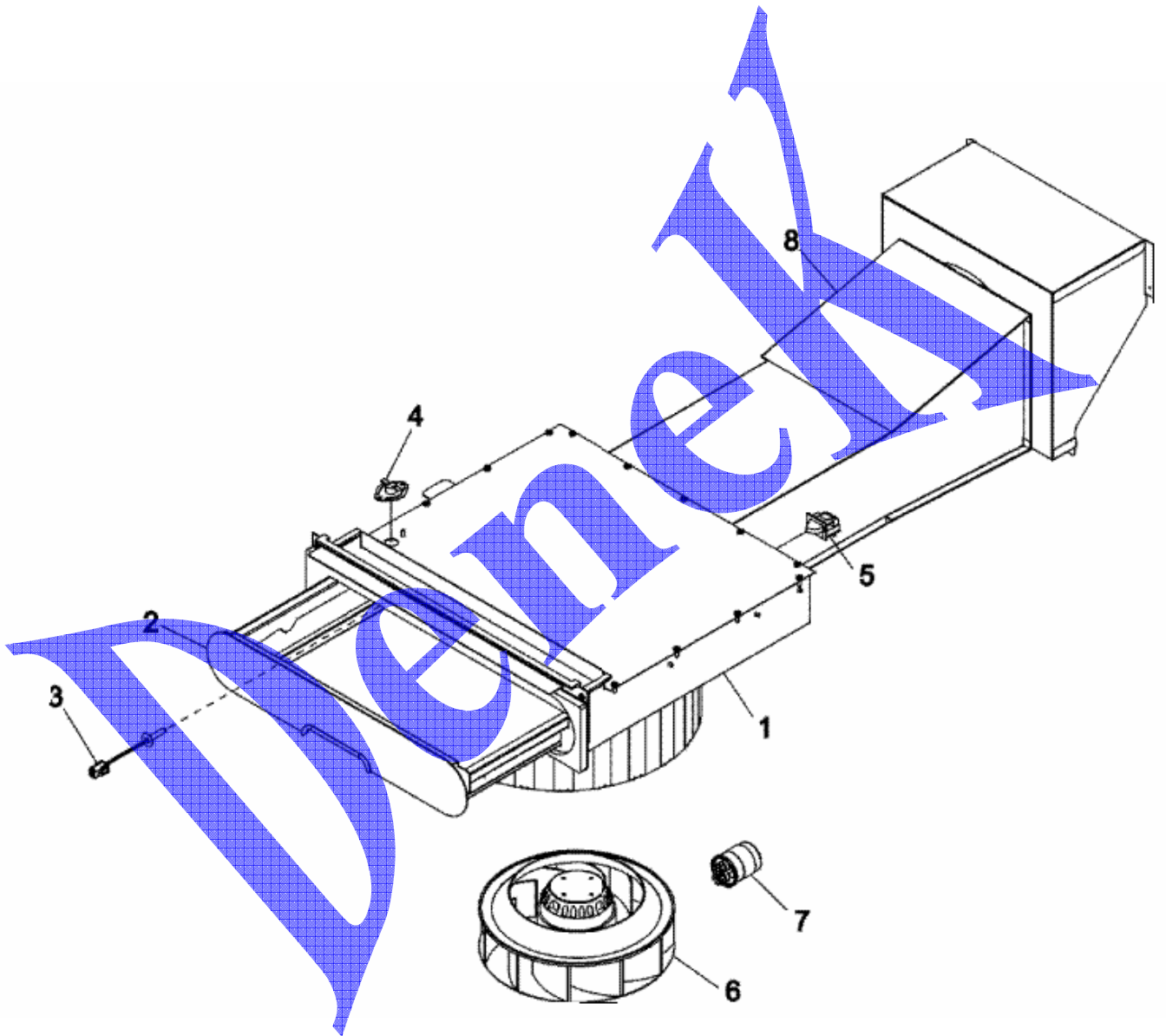
MTG SEC. MODEL. MDG77PNAWW

ENSAMBLE DEL QUEMADOR

NUMERO	N.DE PARTE	DESCRIPCION
16	A140880	NG #22 BURNER ORIFICE
16	A851390	60HZ NAT GAS DUAL BRNR ASY 77
16	A884249	LP CONVERSION KIT 77
17	A183137	3/8 CLOSE NIPPLE BLK IRON
18	A154355	U-BOLT W/BOLTS 1/2 BLK PIPE
19	A142636	1/2X36" BLACK PIPE 77
20	A350226	REAR GAS PIPE SUPPORT
21	A851387	BURNER FUNNEL TRANSITION ASY
22	A154200	POP RIVET (5/32")
23	A130500	RASIAANT CONTROL
24	A350217	BURNER FUNNEL TOP LIP BRKT
25	A128910	IGNITOR-GLOBAL
26	A350218	BURNER FUNNEL SUPPORT BRKT
27	A152014	NUT, FREE SPIN WASH (#20-1/4)
28	A350221	DUAL RD GAS BURNER SUPP BRKT
29	A150331	8-18X1/2 PAN HD TORX SCREW
30	A350253	FRT GAS PIPE BRKT
31	A881367	UNION, SHUT-OFF (1/2")
32	A142820	1/2X1/2X1/2 BLK IRON TEE
33	A142703	NIPPLE
34	A142500	1/2" X 90 DEGREE ELBOW
35	A142953	3/8X1/2 STL BUSHING
36	A128944	GAS VALVE 120VAC 60HZ
37	A350220	DUAL GAS VALVE BRKT
38	A183144	INSHOT BURNER TUBE
39	A185063	IGNITER BRKT
40	A183145	#8-32x7/8" HX SCREW W/WSHR
41	A350223	RD GAS BURNER FUNNEL 77

MTG SEC. MODEL. MDG77PNAWW

TURBINA



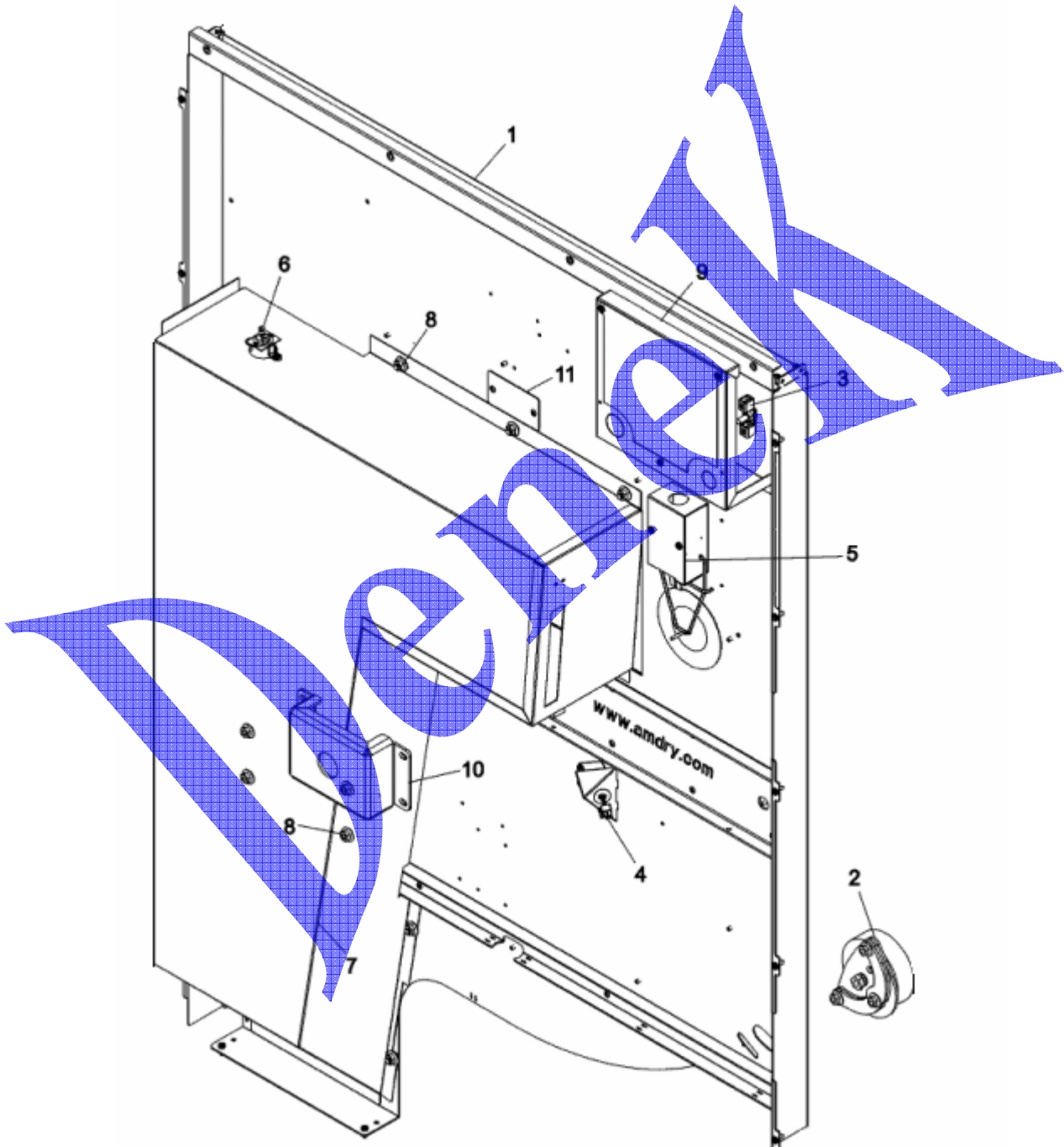
MTG SEC. MODEL. MDG77PNAWW

TURBINA

NUMERO	N.DE PARTE	DESCRIPCION
1	A819299	LRG LINT BOX ASY
2	A819295	LG LINT DRWR ASY
3	A818369	EXHAUST TEMP PROBE ASY
4	A130119	L190 AUTO THERMOSTAT
5	A122002	SWITCH, LINT DRAWER
6	A100645	115V IMPELLOR ONLY
6	A150687	MOUNTING SCREWS
6	A813406	BIWR MTR HARN
6	A153007	WASHER, LOCK (1/4")
6	A851242	115V IMPELLOR & CAP ASY
7	A100618	CAP FOR 115V BLOWER IMPELLOR
8	A851365	BLOWER HSG FINAL ASY 77

MTG SEC. MODEL. MDG77PNAWW

PARTE POSTERIOR TAMBOR



MTG SEC. MODEL. MDG77PNAWW

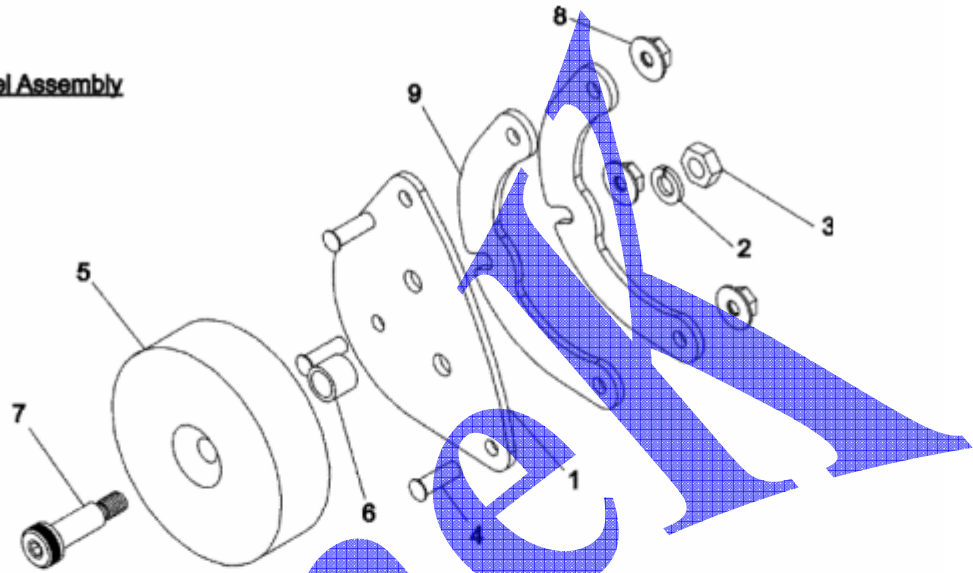
PARTE POSTERIOR TAMBOR

NUMERO	N.DE PARTE	DESCRIPCION
1	A851263	REAR TUMBLER SUPPORT ASY
2	A851372	REAR THUMBLER SUP ASY
2	A180060	3.5" WHEEL
3	A121010	LUG, GROUND (L-70)
4	A851258	AXIAL PROBE ASY
5	A818692	SWITCH ASY COMPLETE
5	A122200	SWITCH, SAIL
6	A183112	THERMOSTAT HI-LIMIT GAS
7	A851262	HEAT DUCT
8	A152014	NUT, FREE SPIN WASH (#20-1/4)
9	A350237	REAR ELECTRIC BOX
9	A350238	REAR ELECTRIC BOX COVER
10	A350228	THRUST BEARING BOX
11	A318691	COVER PLATE

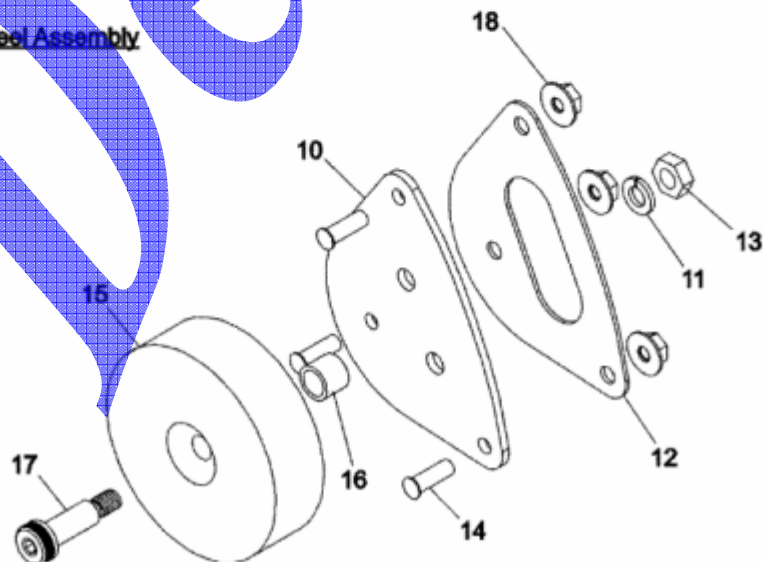
MTG SEC. MODEL. MDG77PNAWW

ENSAMBLE POLEA

Rear Wheel Assembly



Front Wheel Assembly



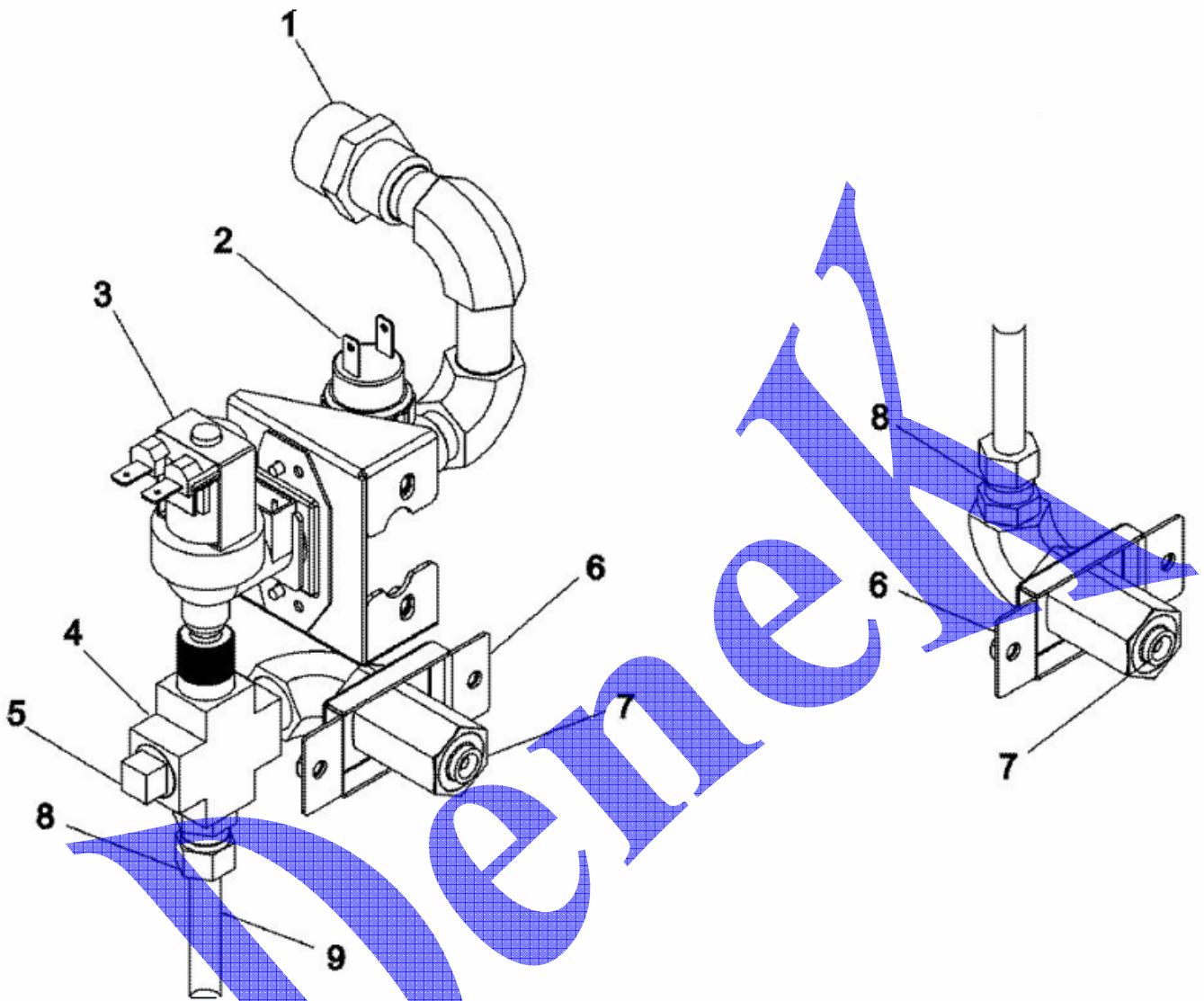
MTG SEC. MODEL. MDG77PNAWW

ENSAMBLE POLEA

NUMERO	N.DE PARTE	DESCRIPCION
1	A350196	WHEEL BRACKET
2	A153002	WASHER, LOCK (5/16")
3	A154013	M10 HEX NUT
4	A153557	1/4-20 x 3/5- CLINCH STUD
5	A180060	3.5" WHEEL
6	A154284	TUMBLER WHEEL SPACER
7	A154267	M10x25MM SHOULDER SCREW
8	A152014	NUT, FREE SPIN WASH (#20-1/4)
9	A350198	SHIM, REAR WHEEL BRACKET
10	A350196	WHEEL BRACKET
11	A153002	WASHER, LOCK (5/16")
12	A350197	SHIM, FRONT WHEEL BRACKET
13	A154013	M10 HEX NUT
14	A153557	1/4-20 x 3/5- CLINCH STUD
15	A180060	3.5" WHEEL
16	A154284	TUMBLER WHEEL SPACER
17	A154267	M10x25MM SHOULDER SCREW
18	A152014	NUT, FREE SPIN WASH (#20-1/4)

MTG SEC. MODEL. MDG77PNAWW

ENSAMBLE DEL SISTEMA DE SEGURIDAD



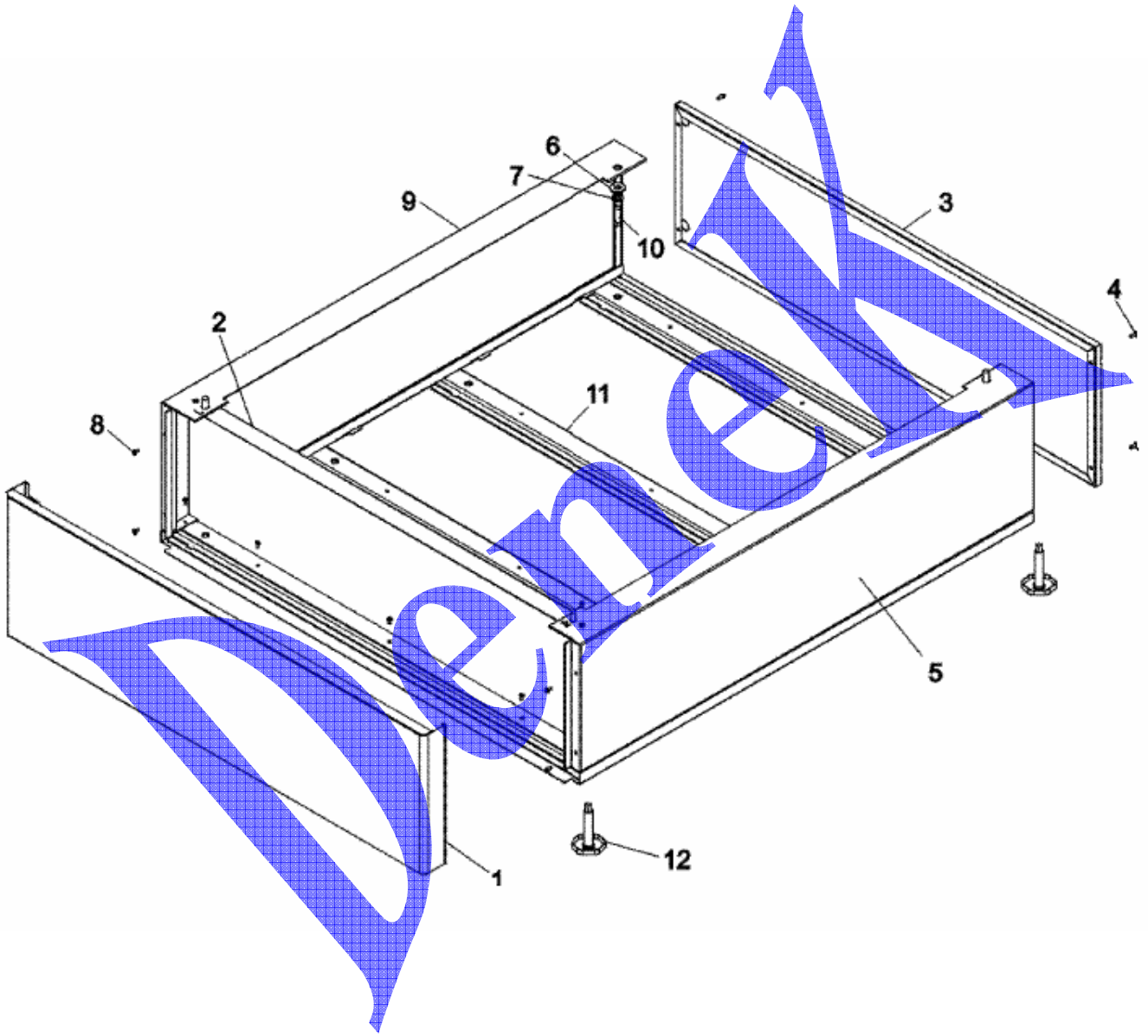
MTG SEC. MODEL. MDG77PNAWW

ENSAMBLE DEL SISTEMA DE SEGURIDAD

NUMERO	N.DE PARTE	DESCRIPCION
1	A143025	NYLON HOSE ADAPTOR
2	A136987	SWITCH, PRESSURE
3	A165120	VALVE WATER
4	A143236	3/8- BRASS CROSS
5	A143251	PLUG, BRASS 3/8
6	A318422	S.A.F.E. BRACKET
7	A143581	NOZZLE, SPRAY
8	A143208	CONNECTOR, BRASS 3/8
9	A143099	TUBING, WALL COPPER (FOOT)

MTG SEC. MODEL. MDG77PNAWW

PEDESTAL



MTG SEC. MODEL. MDG77PNAWW

PEDESTAL

NUMERO	N.DE PARTE	DESCRIPCION
1	A319582	11-REDESTAL FRONT 51&77
2	A318584	PEDESTAL INNER SUPPORT
3	A350181	11-PEDESTAL BACK 51&77
4	A153331	8-18x.5-PAN HEAD SCREW
5	A318587	11-PEDESTAL RH SIDE 77
6	A153004	WASHER, FLAT (3/8")
7	A153005	WASHER, LOCK (3/8")
8	A154200	POP RIVET (5/32")
9	A319586	11-PEDESTAL LH SIDE 77
10	A150617	BOLT, MACHINE (#16-3/8 X 1")
11	A851410	PEDESTAL BASE 77
12	A103500	LEG. LEVELING (ADJUSTABLE)