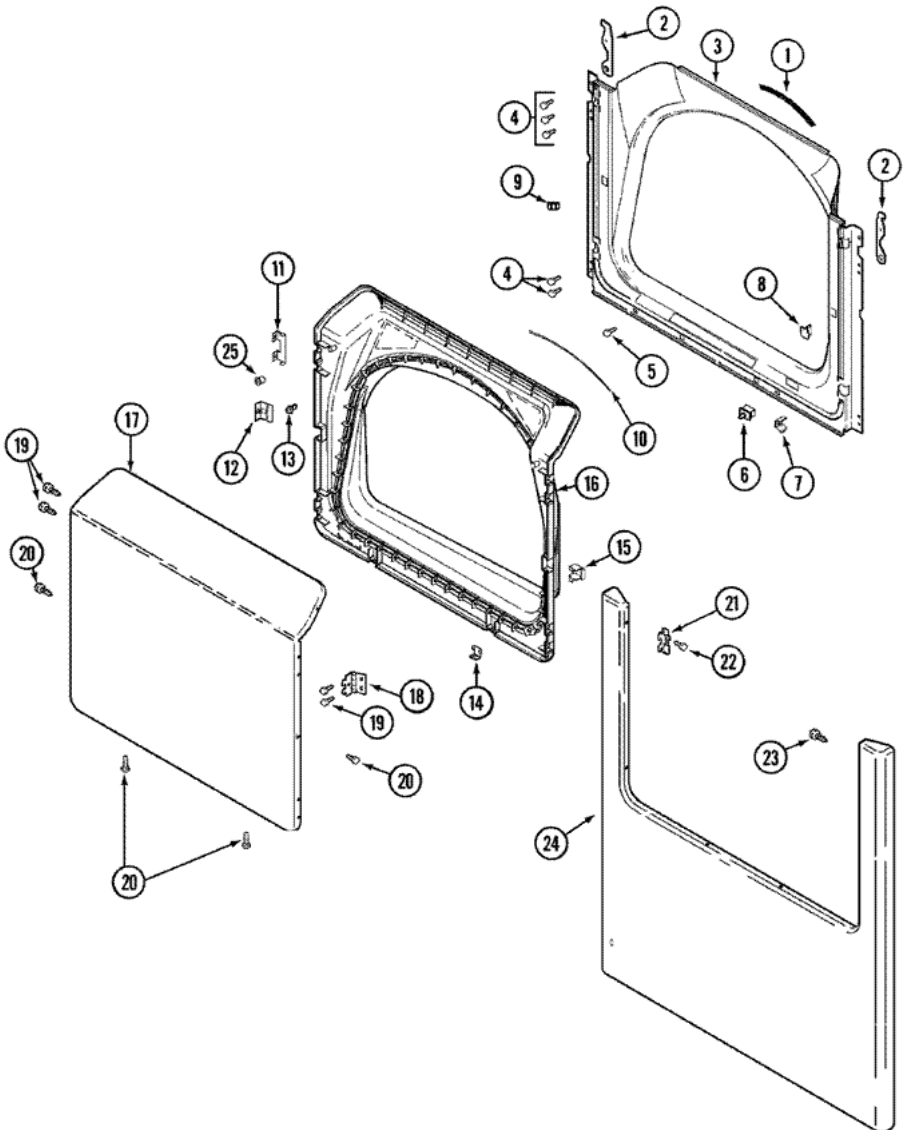


Distribuidor Autorizado

SurteRápido.com

Venta de Refacciones
Electrodomesticas

MDG8000BWQ PUERTA





MDG8000BWQ PUERTA

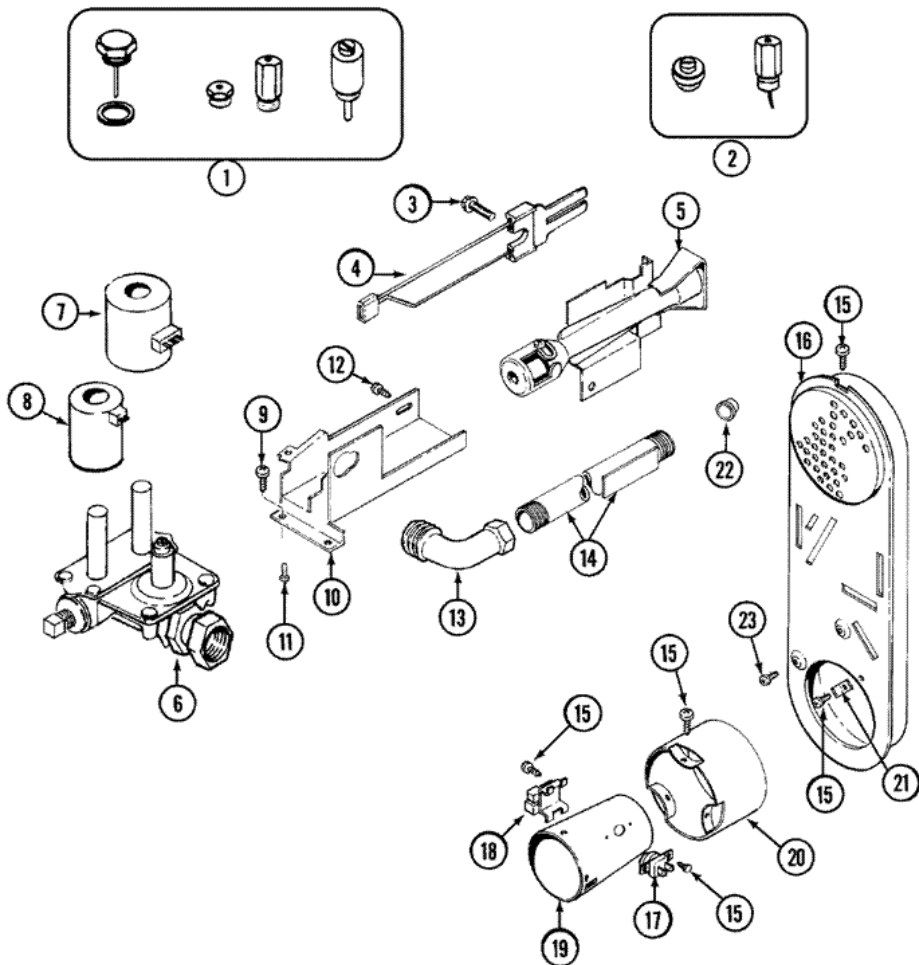
1	33001767	SEAL, SHROUD (S/P)
2	33002597	SECURITY HOOK (S/P)
3	33002379	SHROUD (BSQ) (S/P)
4	22001995	SCREW (S/P)
5	33001768	SCREW, SHROUD (S/P)
6	33001508	SWITCH, DOOR
7	33001760	BRACKET, HINGE (S/P)
8	279570	PLUG, DOOR CATCH
9	279570	CATCH, DOOR (FEMALE)
9	306436	CATCH, DOOR (W/PLUG)
10	33002094	SEAL, DOOR (S/P)
11	22002038	CLIP, DOOR (DOUBLE) (S/P)
12	33001793	BRACKET, STRIKE (S/P)
13	33001761	STRIKE, DOOR (MALE) (S/P)
14	22002039	CLIP, DOOR (SINGLE) (S/P)
15	33001763	PLUG, INNER DOOR (S/P)
16	33002397	DOOR, INNER/ W SEAL (BSQ) (S/P)
17	33002431	PANEL, DOOR DESCONTINUADO
17	22001817	SHEET, SOUND DAMPER (FT. PNL) (S/P)
18	33001759	HINGE, DOOR (S/P)
19	22002062	SCREW (S/P)
20	33002351	SCREW (No.8-18 OUTER DOOR (BSQ) (S/P)
21	33002349	COVER, HINGE HOLE (BSQ) (S/P)
22	33001787	SCREW, HINGE (S/P)
23	22002012	SCREW, HINGE (S/P)
24	22002663	PANEL, FRONT (BSQ) (S/P)
25	33001771	BUSHING, INNER DOOR (S/P)

Distribuidor Autorizado

SurteRápido.com

Venta de Refacciones
Electrodomesticas

MDG8000BWQ QUEMADOR





MDG8000BWQ QUEMADOR

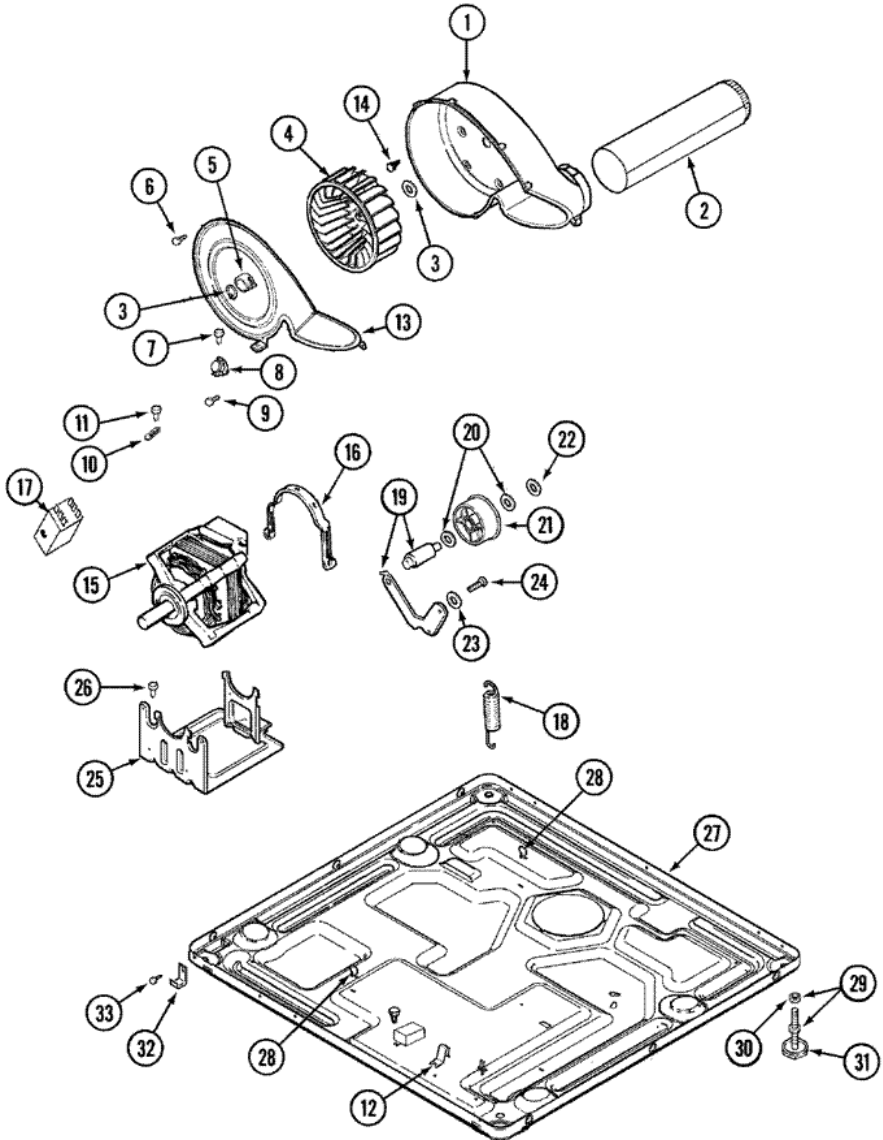
1	33002923	CONVERSION KIT (NATURAL TO LP)
2	33002924	CONVERSION KIT (LP TO NATURAL)
3	304971	SCREW (S/P)
4	304970	IGNITER ASSY, GAS VALVE
5	33002793	BURNER ASSY.
6	306176	VALVE, GAS
7	694539	COIL, HOLDING & BOOSTER (S/P)
8	694540	COIL, SECONDARY (S/P)
9	Y313561	SCREW (S/P)
10	33001834	BRACKET, GAS VALVE DESCONTINUADO
11	314082	SCREW (S/P)
11	314568	SCREW-GAS VALVE TO BRACKET (S/P)
12	Y310632	SCREW (S/P)
13	33001842	CONNECTOR, ANGLE
14	33001735	PIPE & BRACKET ASSY. (S/P)
15	211294	SCREW (S/P)
16	33002952	DUCT ASSY., INLET (GAS) DESCONTINUADO
17	303395	THERMOSTAT, HI-LIMIT (GAS)
18	338906	SENSOR, RADIANT
19	33001835	CONE ASSY., COMBUSTION (S/P)
19	22001996	SCREW (S/P)
20	Y303841	CONE, EXTENSION (COMBUSTION) (S/P)
21	Y312890	RETAINER, HEATER CHAMBER DESCONTINUADO
21	22001996	SCREW (S/P)
22	33001693	CAP, GAS PIPE (S/P)
23	22001996	SCREW (S/P)

Distribuidor Autorizado

SurteRápido.com

Venta de Refacciones
Electrodomesticas

MDG8000BWQ MOTOR





MDG8000BWQ MOTOR

1	33001789	HOUSING, BLOWER (S/P)
2	33001800	DUCT ASSY., EXHAUST (S/P)
2	22001995	SCREW (S/P)
3	9703438	RING, RETAINING (S/P)
4	33001790	WHEEL, BLOWER
5	312967	CLAMP, BLOWER HOUSING
6	33001855	SCREW (HEX HEAD) (S/P)
7	Y313561	SCREW (S/P)
8	306910	THERMOSTAT, MULTI TEMP (GAS) (S/P)
8	33002409	THERMOSTAT, ULTRA CARE (S/P)
9	22001996	SCREW (S/P)
10	33001762	FUSE, THERMAL (W` BRACKET)
11	314848	SCREW (S/P)
12	22002244	CLIP, GROUNDING (S/P)
13	33002711	COVER, BLOWER HOUSING (S/P)
14	314818	SCREW (S/P)
15	33002478	MOTOR (W/PULLEY)
16	Y015825	CLIP, MOTOR (S/P)
17	33002478	SWITCH, MOTOR
18	33002459	SPRING, IDLER (S/P)
18	33002461	PLUG FOR SPRING (S/P)
18	33002459	SPRING, IDLER (S/P)
18	33002157	GROMMET (S/P)
19	33001840	IDLER ARM & SHAFT ASSY.
20	Y312527	WASHER, IDLER SHAFT (QTY-1) (S/P)
21	33001783	BEARING, IDLER ASSEMBLY
22	312958	RETAINING RING, IDLER SHAFT (S/P)
23	315772	SLEEVE, IDLER ARM (S/P)
24	Y014874	SCREW (S/P)
25	33002817	SUPPORT, MOTOR (S/P)
25	Y313561	SCREW (S/P)
25	33002817	SUPPORT, MOTOR (S/P)
26	Y313561	SCREW (S/P)

27	33002465	BASE, (LWR) DESCONTINUADO
27	33001845	BASE DESCONTINUADO
28	410490	SPRING, WIRE HARNESS (S/P)
29	305086	ADJUSTABLE LEG & NUT
30	62739	NUT
31	314137	FOOT, RUBBER
32	22002239	CLIP, LOWER FRONT PANEL (S/P)
33	Y310632	SCREW (S/P)

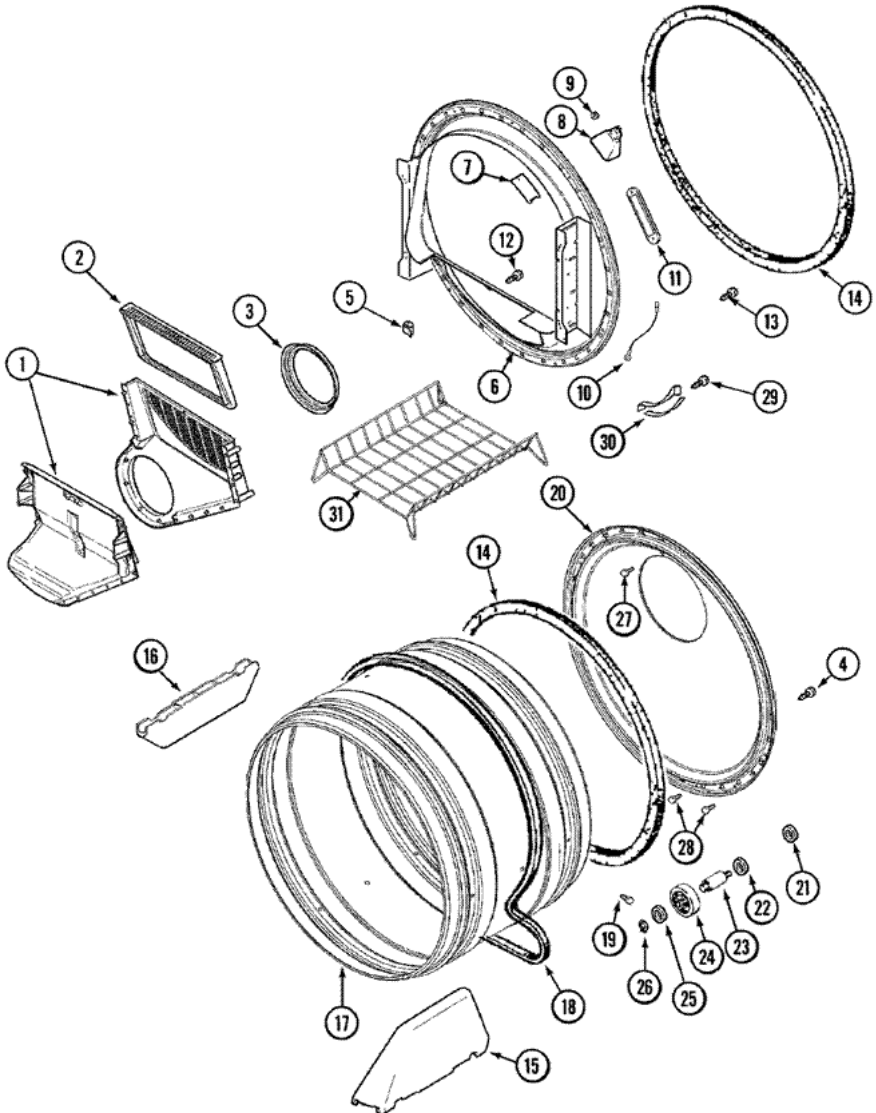
Distribuidor Autorizado

SurteRápido.com

Venta de Refacciones
Electrodomesticas



MDG8000BWQ TAMBOR





MDG8000BWQ TAMBOR

1	33001799	OUTLET DUCT ASSEMBLY
2	33001808	FILTER, LINT
3	33002560	SEAL, BLOWER (S/P)
4	33002190	SCREW (No.10-3/8``) (S/P)
5	Y310376	CLIP, WIRE HARNESS (S/P)
6	33001868	FRONT, TUMBLER FRONT W/SENSOR (S/P)
7	33001871	SCREW (S/P)
7	33001869	LENS, DRUM LIGHT (S/P)
7	22002263	LAMP (10 WATT) (S/P)
8	33001870	HOLDER, LAMP (W/HOUSING) DESCONTINUADO
9	214872	PALNUT, END CAP (S/P)
10	Y303711	SENSOR GROUND WIRE (S/P)
10	211294	SCREW (S/P)
11	22001078	SCREW (S/P)
11	33001809	SENSOR BAR ASSY.
12	312311	SCREW DESCONTINUADO
13	33001855	SCREW (HEX HEAD) (S/P)
14	33001807	SEAL, TUMBLER
15	33002032	BAFFLE (TALL)
16	33001755	BAFFLE (SHORT)
17	33001889	TUMBLER
18	33002535	BELT, TUMBLER
19	33001788	SCREW, BAFFLE (S/P)
20	33001801	BACK, TUMBLER (W/SEAL) (S/P)
21	33001443	NUT, HEX (ROLLER SHAFT) (S/P)
22	312535	WASHER, SPRING (ROLLER SHAFT) (S/P)
23	Y312948	SHAFT, TUMBLER ROLLER (S/P)
24	12001541	BEARING & ROLLER ASSEMBLY
25	312535	WASHER, ROLLER SHAFT (S/P)
26	410233	RING, RETAINING (S/P)
27	210932	SCREW, No.8 X 9/16 CTSK (S/P)
28	22001996	SCREW (S/P)
29	210720	RIVET (S/P)

30	306508	TUMBLER BEARING KIT
31	33001917	RACK, DRYING