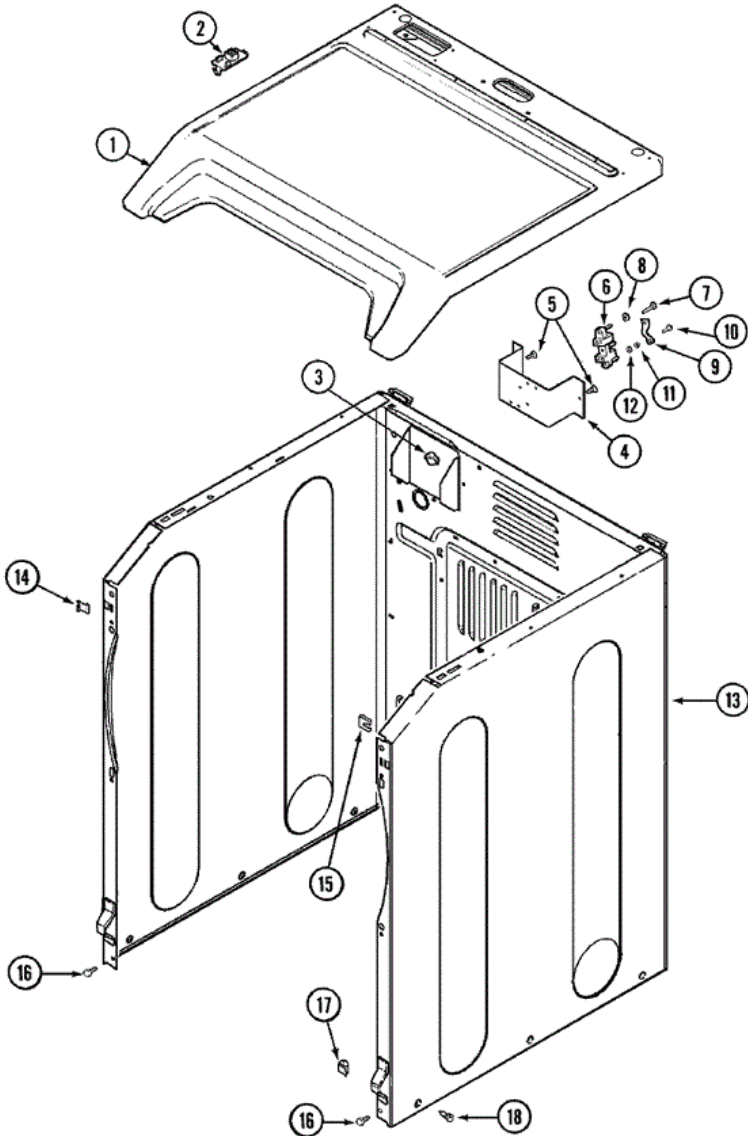


**MDG8600AWQ GABINETE**

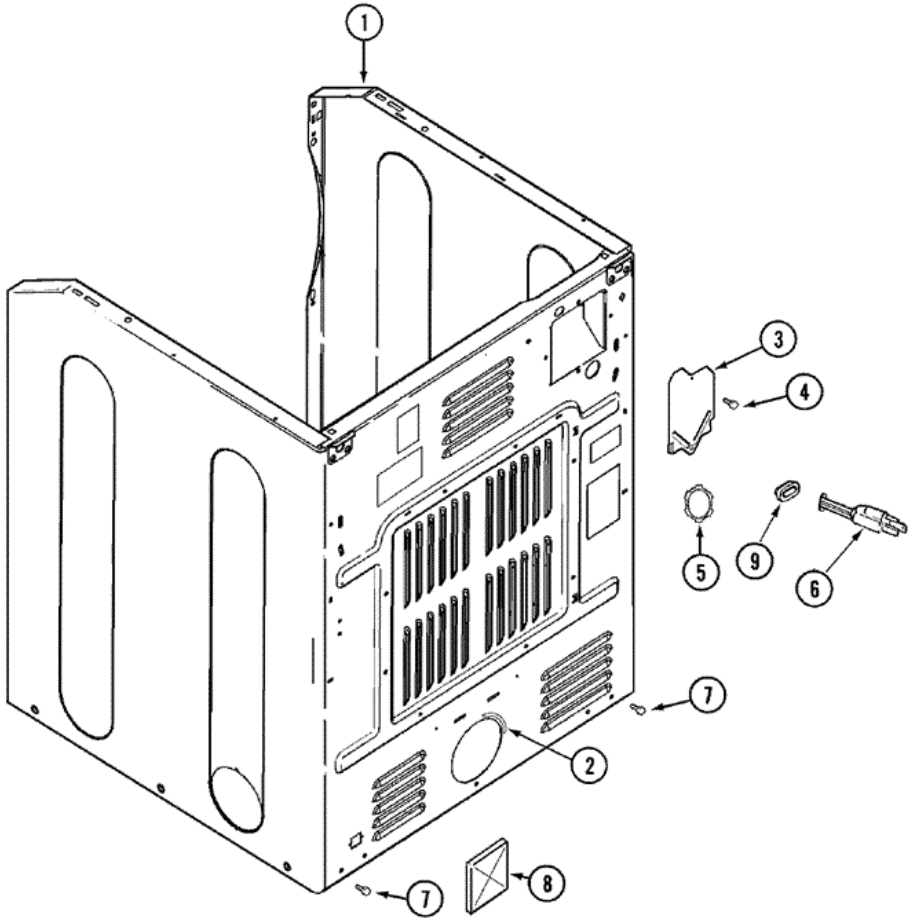




**MDG8600AWQ GABINETE**

1	33002367	10	COVER, TOP (BSQ)
1	33002628	36	COVER, TOP (BSQ-AS PK)
2	33001872	10	PIN, LOCATOR
3	Y310376	10	CLIP, WIRE HARNESS
13	22002659	10	CABINET ASSY. (BSQ)
13	22003583	36	CABINET, ASSY. (BSQ-AS PK)
13	22003640	38	CABINET ASSY. (BISQUE AS PK)
14	22002049	10	CLIP
15	213280	10	FRONT PANEL BRACKET/FASTENER
16	22001995	10	SCREW
17	Y310376	10	CLIP, WIRE HARNESS
18	213007	10	SCREW, CABINET
18	22003409	36	SCREW----NA

**MDG8600AWQ GABINETE**

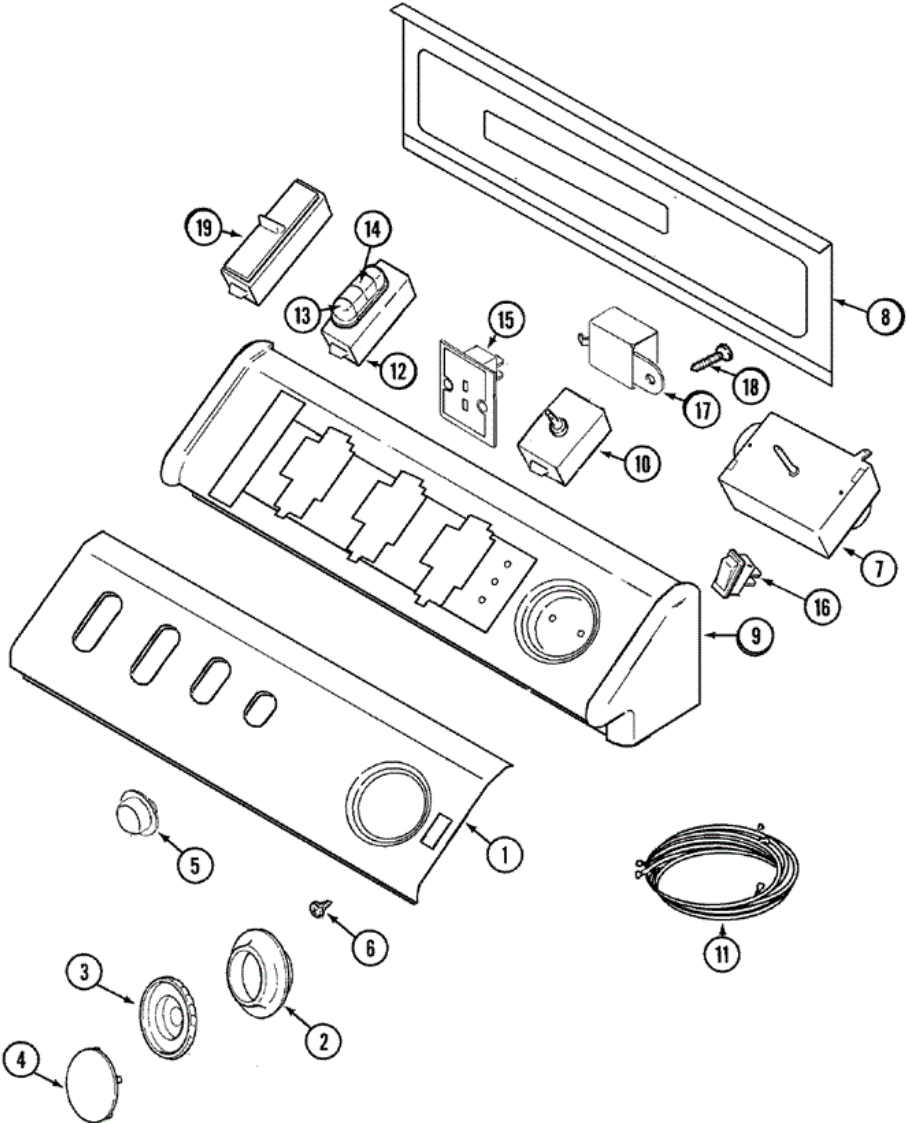




## MDG8600AWQ GABINETE

1	22002659	10	CABINET ASSY. (BSQ)
1	22001995	36	SCREW
1	22003367	36	HINGE, PLASTIC
1	22003583	36	CABINET, ASSY. (BSQ-AS PK)
1	22003640	38	CABINET ASSY. (BISQUE AS PK)
2	33002283	10	GUARD, EXHAUST DUCT
3	33001795	10	COVER, TERMINAL BLOCK
4	22001995	10	SCREW
6	33002494	10	CORD, POWER (AS WRAP)
7	22001995	10	SCREW
8	33001702	10	FLAP, PIPE
9	211881	10	GROMMET, CORD

**MDG8600AWQ TABLERO**

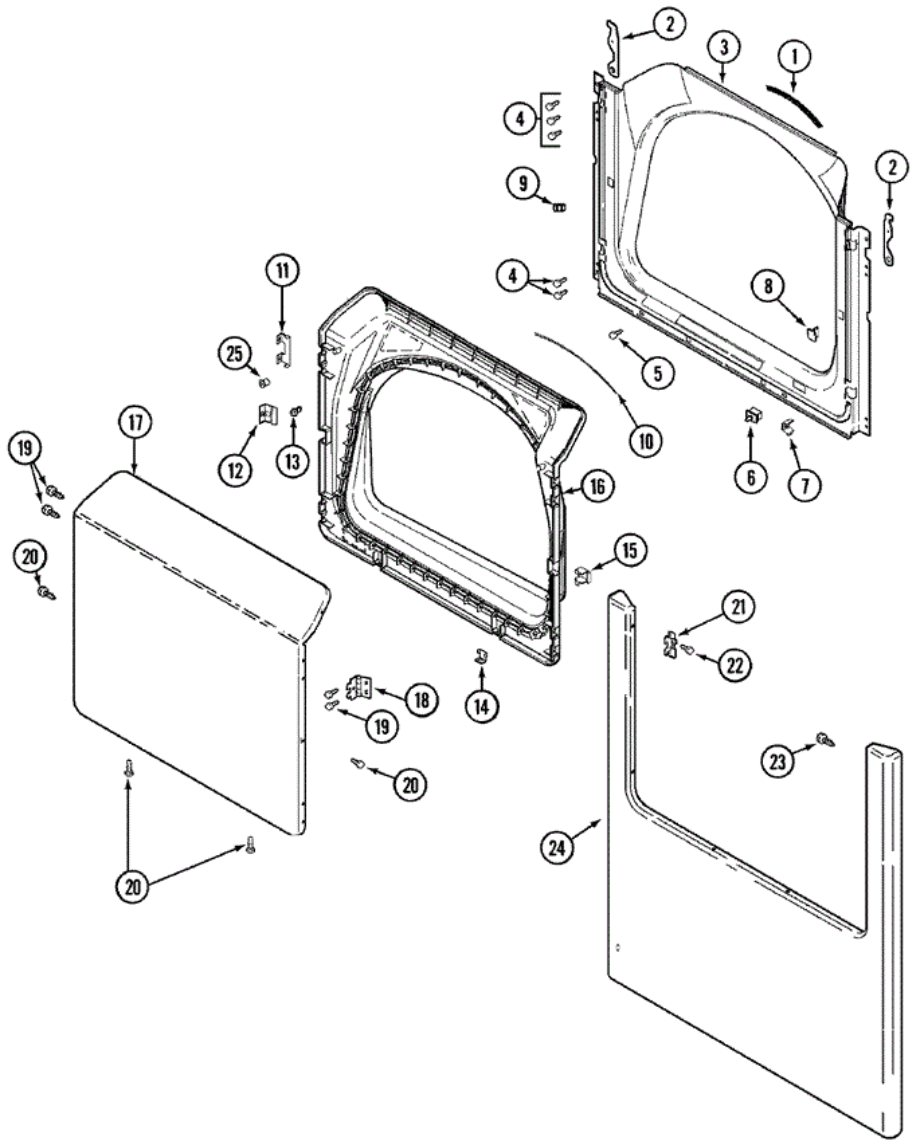




## MDG8600AWQ TABLERO

1	33002595	10	PANEL, CONTROL (BSQ)
1	Y22002339	10	SCREW
2	33002346	10	SKIRT, TIMER DIAL (BSQ)
3	22001659	10	TIMER KNOB - GREY
4	33002347	10	TIMER KNOB INSERT/CAP
5	33002435	10	BUTTON, PUSH-TO-START (BSQ)
6	33001690	10	SCREW, TIMER
7	33001730	10	TIMER
7	33002676	41	TIMER, ELECTRONIC DRY
8	216423	10	SCREW
8	22002529	10	CONSOLE BACK PANEL
9	33002327	10	CONSOLE (BSQ)
10	33002356	10	SWITCH, PUSH-TO-START (BSQ)
11	33002420	10	WIRE HARNESS, MAIN (GAS)
12	33002415	10	SWITCH, OPTION 4 POS (BSQ)
13	22002697	10	BUTTON, SWITCH (BSQ-END)
14	22002698	10	BUTTON, SWITCH (BSQ-MDL)
15	33002400	10	DRYNESS DISPLAY CONTROL (BSQ)
16	33002418	10	2 POS. ROCKER SWITCH (BSQ)
17	33001848	10	SIGNAL, END OF CYCLE (CHIME)
18	33001860	10	SCREW, END OF CYCLE----NA
19	33002338	10	SWITCH, TEMPERATURE (BSQ)
20	22001403	10	LIGHT, INDICATOR (250V)
20	22001948	10	LENS, INDICATOR LIGHT
21	33002582	10	MANUAL, USE & CARE (TRI)

**MDG8600AWQ TAPA**





## MDG8600AWQ TAPA

1	33001767	10	SEAL, SHROUD
2	33002386	10	SECURITY HOOK
3	33002379	10	SHROUD (BSQ)
4	22001995	10	SCREW
5	33001768	10	SCREW, SHROUD
6	33001508	10	SWITCH, DOOR
7	33001760	10	BRACKET, HINGE
8	33001174	10	PLUG, DOOR CATCH
9	33001791	10	CATCH, DOOR (W/PLUG)
9	Y304578	10	CATCH, DOOR (FEMALE)
10	33002094	10	SEAL, DOOR
11	22002038	10	CLIP, DOOR (DOUBLE)
12	33001793	10	BRACKET, STRIKE
13	33001761	10	STRIKE, DOOR (MALE)
14	22002039	10	CLIP, DOOR (SINGLE)
15	33001763	10	PLUG, INNER DOOR
16	22002039	10	CLIP, DOOR (SINGLE)
16	33002351	10	SCREW (NO.8-18 OUTER DOOR (BSQ)
16	33002397	10	DOOR, INNER/ W SEAL (BSQ)
17	22001817	10	SHEET, SOUND DAMPER (FT. PNL)
17	33002431	10	PANEL, DOOR (BSQ-W/MEDALLION)
18	33001759	10	HINGE, DOOR
19	22002062	10	SCREW
20	33002351	10	SCREW (NO.8-18 OUTER DOOR (BSQ)
21	33002349	10	COVER, HINGE HOLE (BSQ)
22	33001787	10	SCREW, HINGE
23	22002012	10	SCREW, HINGE
24	33002396	10	PANEL, FRONT (BSQ)
25	33001771	10	BUSHING, INNER DOOR

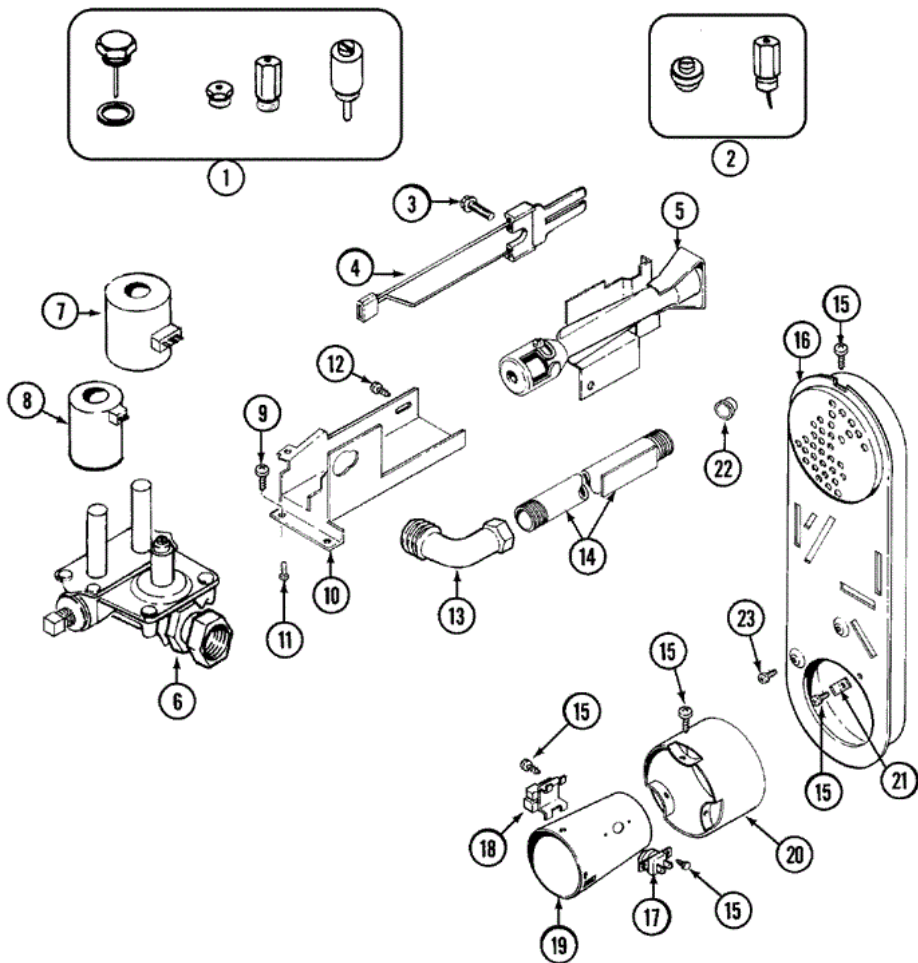


Distribuidor Autorizado

SurteRápido.com

Venta de Refacciones  
Electrodomesticas

# MDG860AWQ QUEMADOR





## MDG8600AWQ QUEMADOR

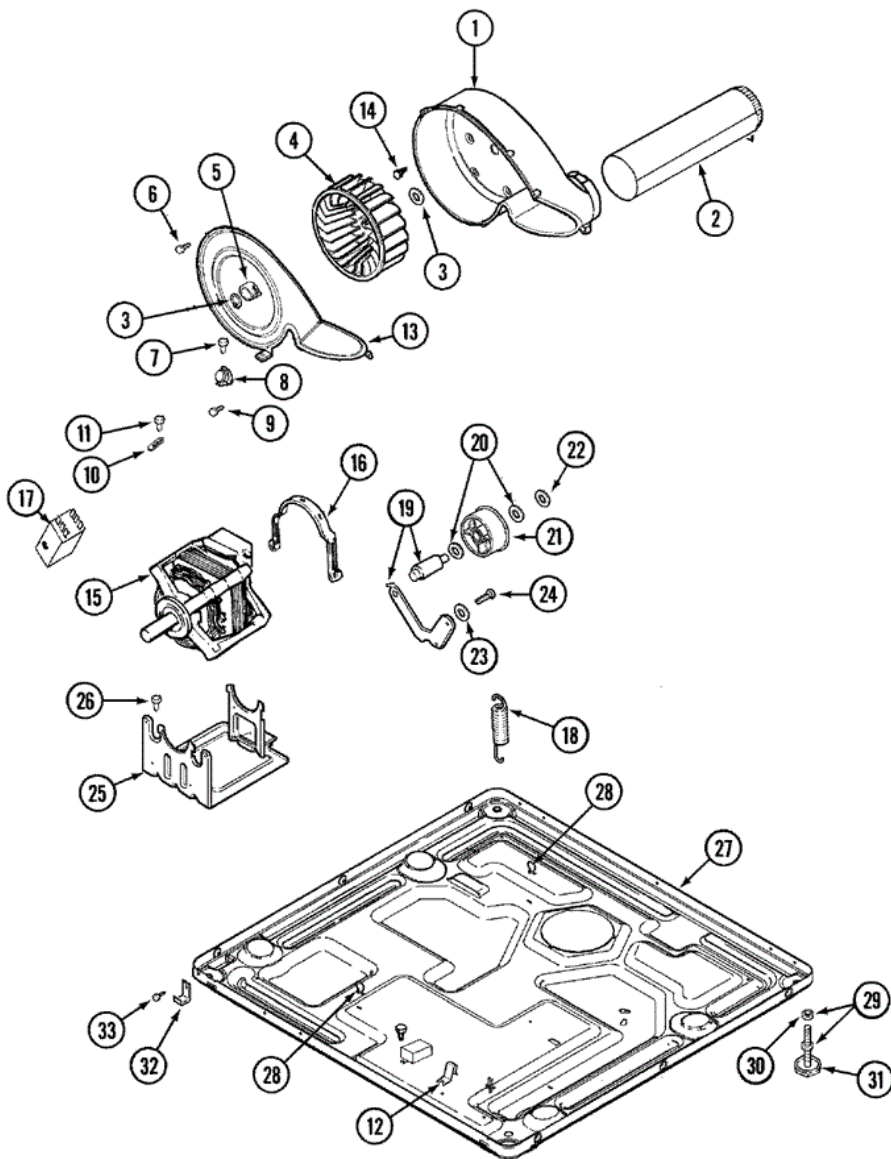
1	Y306195	10	CONVERSION KIT (NATURAL TO LP)
2	306204	10	CONVERSION KIT (LP TO NATURAL)
3	304971	10	SCREW
4	304970	10	IGNITER ASSY, GAS VALVE
5	33001247	10	BURNER ASSY.
6	306176	10	VALVE, GAS
7	306106	10	COIL, HOLDING & BOOSTER
8	306105	10	COIL, SECONDARY
9	Y313561	10	SCREW----NA
10	33001834	10	BRACKET, GAS VALVE----NA
11	314082	10	SCREW
11	314568	10	SCREW-GAS VALVE TO BRACKET
12	Y310632	10	SCREW
13	33001842	10	CONNECTOR, ANGLE
14	33001735	10	PIPE & BRACKET ASSY.
15	211294	10	SCREW
16	33001810	10	DUCT ASSY., INLET (GAS)
17	303395	10	THERMOSTAT, HI-LIMIT (GAS)
18	Y303377	10	SENSOR, RADIANT
19	22001996	10	SCREW
19	33001835	10	CONE ASSY., COMBUSTION
20	Y303841	10	CONE, EXTENSION (COMBUSTION)
21	22001996	10	SCREW
21	Y312890	10	RETAINER, HEATER CHAMBER
22	33001693	10	CAP, GAS PIPE
23	22001996	10	SCREW

Distribuidor Autorizado

SurteRápido.com

Venta de Refacciones  
Electrodomesticas

## MDG8600AWQ BASE





## MDG8600AWQ BASE

1	33001789	10	HOUSING, BLOWER
2	22001995	10	SCREW
2	33001800	10	DUCT ASSY., EXHAUST
3	410233	10	RING, RETAINING
4	33001790	10	WHEEL, BLOWER
5	312967	10	CLAMP, BLOWER HOUSING
6	33001855	10	SCREW (HEX HEAD)
7	Y313561	10	SCREW----NA
8	306910	10	THERMOSTAT, MULTI TEMP (GAS)
8	33002409	10	THERMOSTAT, ULTRA CARE
9	22001996	10	SCREW
10	33001762	10	FUSE, THERMAL (W' BRACKET)
11	314848	10	SCREW
12	22002244	10	CLIP, GROUNDING
13	33001796	10	COVER, BLOWER HOUSING
14	314818	10	SCREW
15	33002478	10	MOTOR
15	33002795	40	MOTOR, DRIVE 60HZ
16	Y015825	10	CLIP, MOTOR
17	33001854	10	SWITCH, MOTOR
18	33002460	10	SPRING, IDLER
18	33002461	10	PLUG FOR SPRING
19	33001840	10	IDLER ARM & SHAFT ASSY.
20	Y312527	10	WASHER, IDLER SHAFT (QTY-1)
21	33001783	10	BEARING, IDLER ASSEMBLY
22	312958	10	RETAINING RING, IDLER SHAFT
23	315772	10	SLEEVE, IDLER ARM
24	Y014874	10	SCREW
25	33002466	10	SUPPORT, MOTOR
25	Y313561	10	SCREW----NA
26	Y313561	10	SCREW----NA
27	33002465	10	BASE, (LWR)----NA
27	33002622	36	BASE, (LWR)

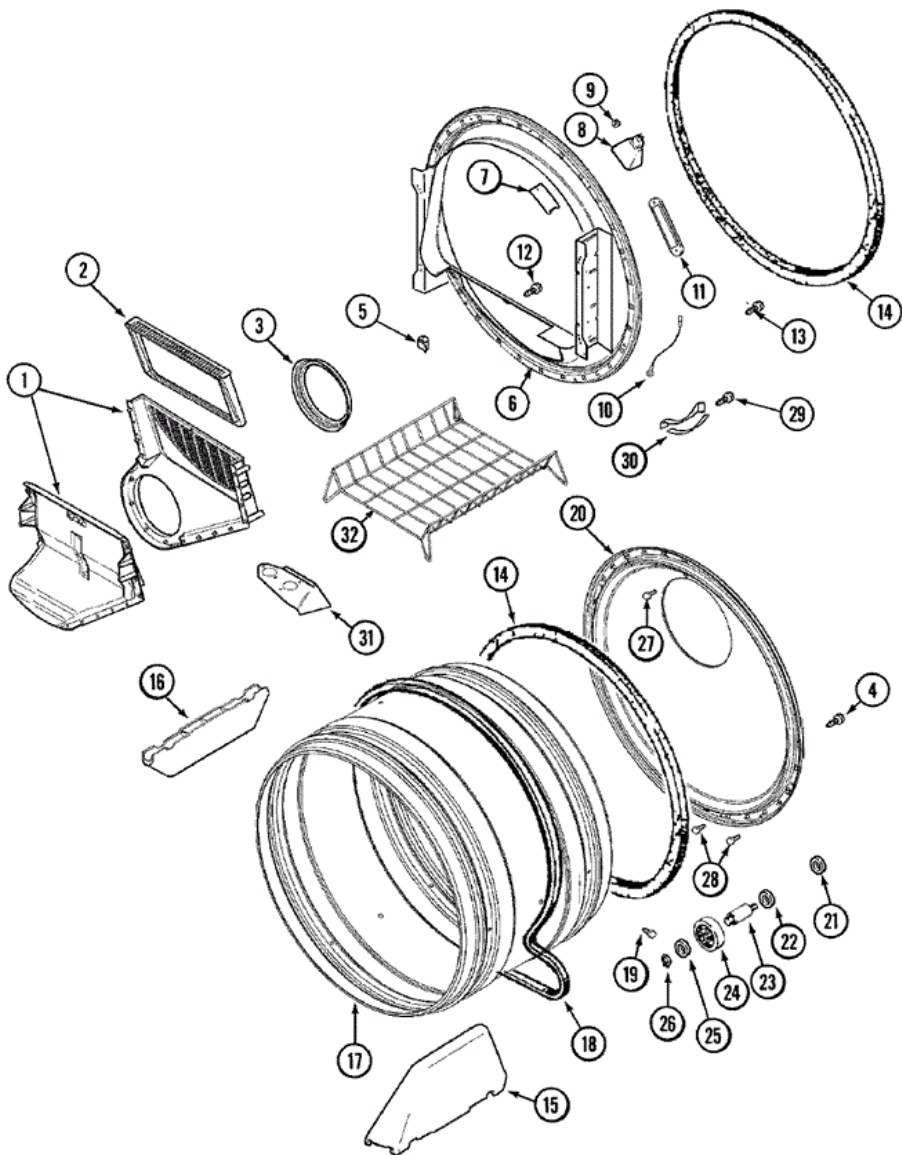
27	33002465	38	BASE, (LWR)----NA
28	410490	10	SPRING, WIRE HARNESS
29	Y305086	10	ADJUSTABLE LEG & NUT
30	Y052740	10	NUT
31	Y314137	10	FOOT, RUBBER
32	22002239	10	CLIP, LOWER FRONT PANEL
33	Y310632	10	SCREW

Distribuidor Autorizado

SurteRápido.com

Venta de Refacciones  
Electrodomesticas

## MDG8600AWQ TAMBOR





## MDG8600AWQ TAMBOR

1	33001799	10	OUTLET DUCT ASSEMBLY
2	33001808	10	FILTER, LINT
3	33001758	10	SEAL, BLOWER
4	33002190	10	SCREW (NO.10-3/8")
5	Y310376	10	CLIP, WIRE HARNESS
6	33001868	10	FRONT, TUMBLER FRONT W/SENSOR
7	22002263	10	LAMP (10 WATT)
7	33001869	10	LENS, DRUM LIGHT
7	33001871	10	SCREW
8	33001870	10	HOLDER, LAMP (W/HOUSING)
9	214872	10	PALNUT, END CAP
10	211294	10	SCREW
10	Y303711	10	SENSOR GROUND WIRE
11	22001078	10	SCREW
11	33001809	10	SENSOR BAR ASSY.
12	312311	10	SCREW----NA
13	33001855	10	SCREW (HEX HEAD)
14	33001807	10	SEAL, TUMBLER
15	33001756	10	BAFFLE (TALL)
16	33001755	10	BAFFLE (SHORT)
17	33001889	10	TUMBLER
18	33001777	10	BELT, TUMBLER
19	33001788	10	SCREW, BAFFLE
20	33001801	10	BACK, TUMBLER (W/SEAL)
21	33001443	10	NUT, HEX (ROLLER SHAFT)
22	Y313347	10	WASHER, SPRING (ROLLER SHAFT)
23	Y312948	10	SHAFT, TUMBLER ROLLER
24	Y303373	10	BEARING & ROLLER ASSEMBLY
25	312535	10	WASHER, ROLLER SHAFT
26	410233	10	RING, RETAINING
27	210932	10	SCREW, NO.8 X 9/16 CTSK
28	22001996	10	SCREW
29	210720	10	RIVET

30	306508	10	TUMBLER BEARING KIT
32	33001917	10	RACK, DRYING