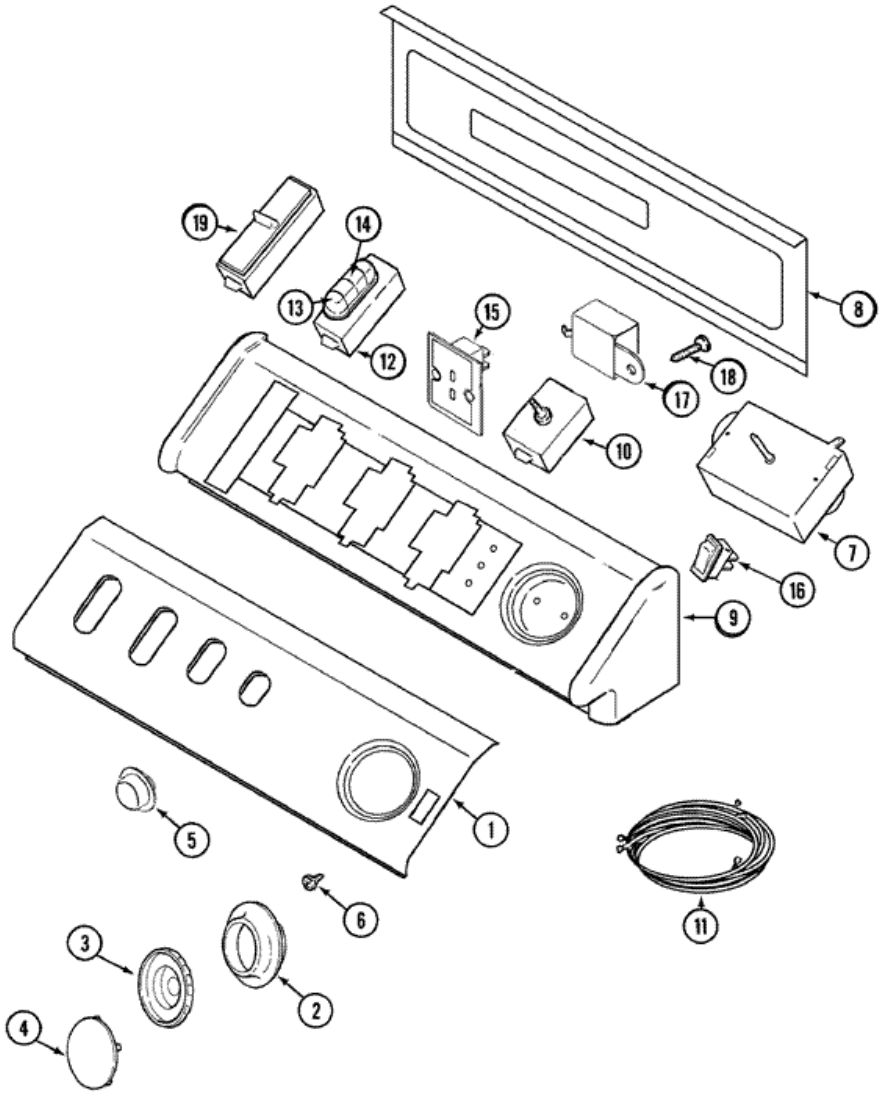


**MDG8600AWW TABLERO**

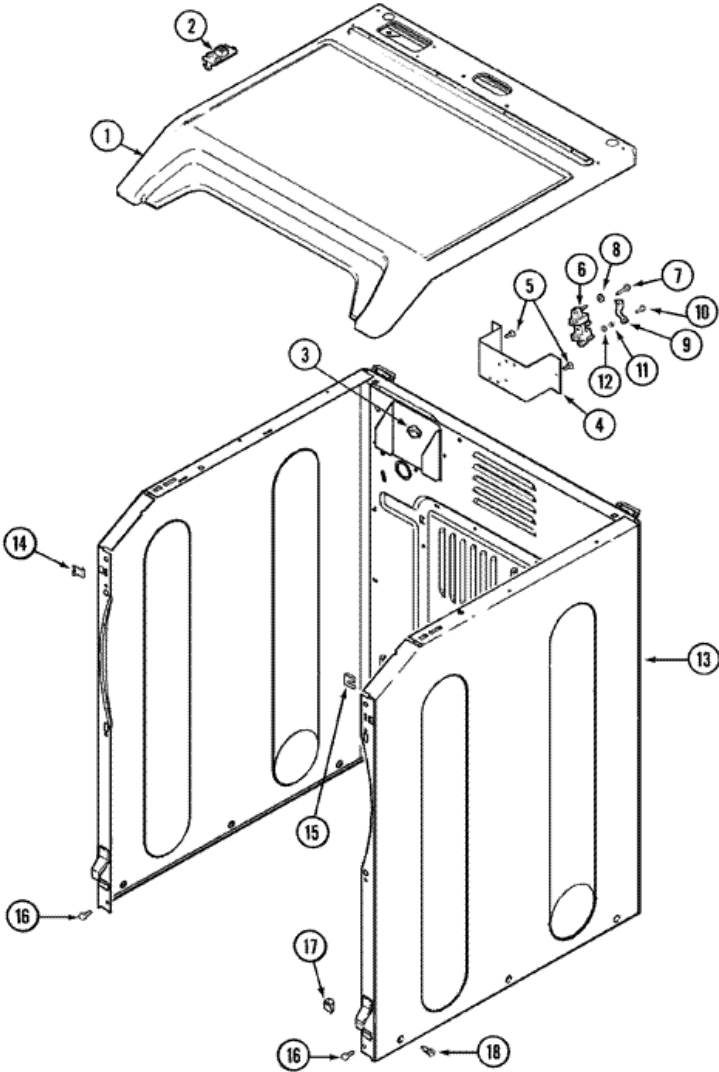




**MDG8600AWW TABLERO**

1	33002330	PANEL, CONTROL (WHT) <b>(S/P)</b>
2	33001621	SKIRT, TIMER DIAL (WHT)
3	22001659	TIMER KNOB – GREY
4	22001664	TIMER KNOB INSERT/CAP (WHT)
5	37001071	BUTTON, PUSH TO START (WHT) <b>(S/P)</b>
6	33001690	SCREW, TIMER <b>(S/P)</b>
7	33001730	TIMER
7	33002676	TIMER, ELECTRONIC DRY <b>(S/P)</b>
8	22002529	CONSOLE BACK PANEL <b>DESCONTINUADO</b>
9	27001110	CONSOLE (WHT) <b>(S/P)</b>
10	37001070	SWITCH, PUSH TO START (WHT) <b>(S/P)</b>
11	33002420	WIRE HARNESS, MAIN (GAS) <b>(S/P)</b>
12	33002414	SWITCH, OPTION 4 POS (WHT) <b>(S/P)</b>
13	22001788	BUTTON, SWITCH (WHT-END) <b>(S/P)</b>
14	22001789	BUTTON, SWITCH (WHT-MDL) <b>(S/P)</b>
15	33002389	DRYNESS DISPLAY CONTROL (WHT)
16	33002417	2 POS. ROCKER SWITCH (WHT) <b>(S/P)</b>
17	33001848	SIGNAL, END OF CYCLE (CHIME) <b>(S/P)</b>
18	33001860	SCREW, END OF CYCLE----NA <b>(S/P)</b>
19	33001656	SWITCH, TEMP (ELEC)(WHT) <b>(S/P)</b>
20	22001403	LIGHT, INDICATOR (250V) <b>(S/P)</b>

**MDG8600AWW GABINETE**

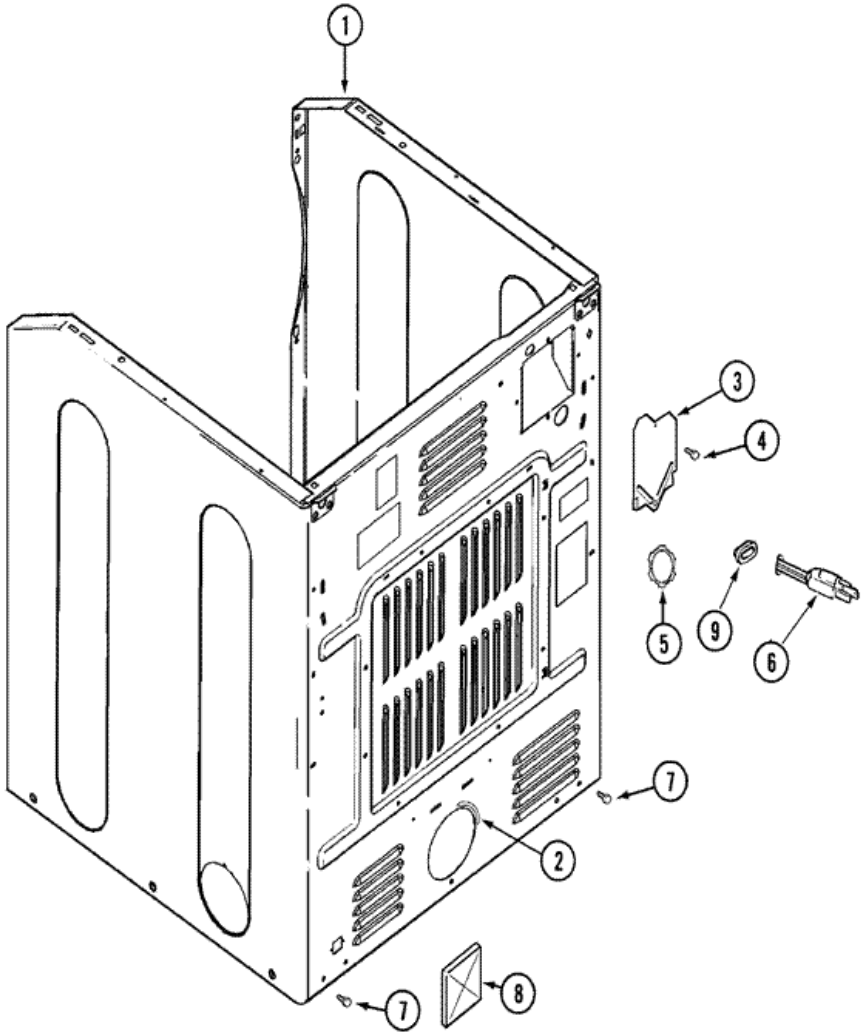




**MDG8600AWW GABINETE**

1	33002627	COVER, TOP (WHT-AS PK) <b>(S/P)</b>
1	33001865	COVER, TOP (WHT) <b>(S/P)</b>
2	33002891	PIN, LOCATOR <b>(S/P)</b>
3	488826	CLIP, WIRE HARNESS <b>(S/P)</b>
13	22003639	CABINET ASSY. (WHT AS PK) <b>DESCONTINUADO</b>
13	22003582	CABINET, ASSY. (WHT-AS PK) <b>DESCONTINUADO</b>
13	22003639	CABINET ASSY. (WHT) <b>DESCONTINUADO</b>
14	22002049	CLIP NOTE: CLIP, FRONT PANEL <b>(S/P)</b>
15	213280	FRONT PANEL BRACKET/FASTENER <b>(S/P)</b>
16	22001995	SCREW NOTE: SCREW, FRONT PANEL <b>(S/P)</b>
17	488826	CLIP, WIRE HARNESS <b>(S/P)</b>
18	213007	SCREW, CABINET <b>(S/P)</b>
18	22003409	SCREW----NA NOTE: SCREW, CABINET <b>(S/P)</b>

**MDG8600AWW GABINETE**





**MDG8600AWW GABINETE**

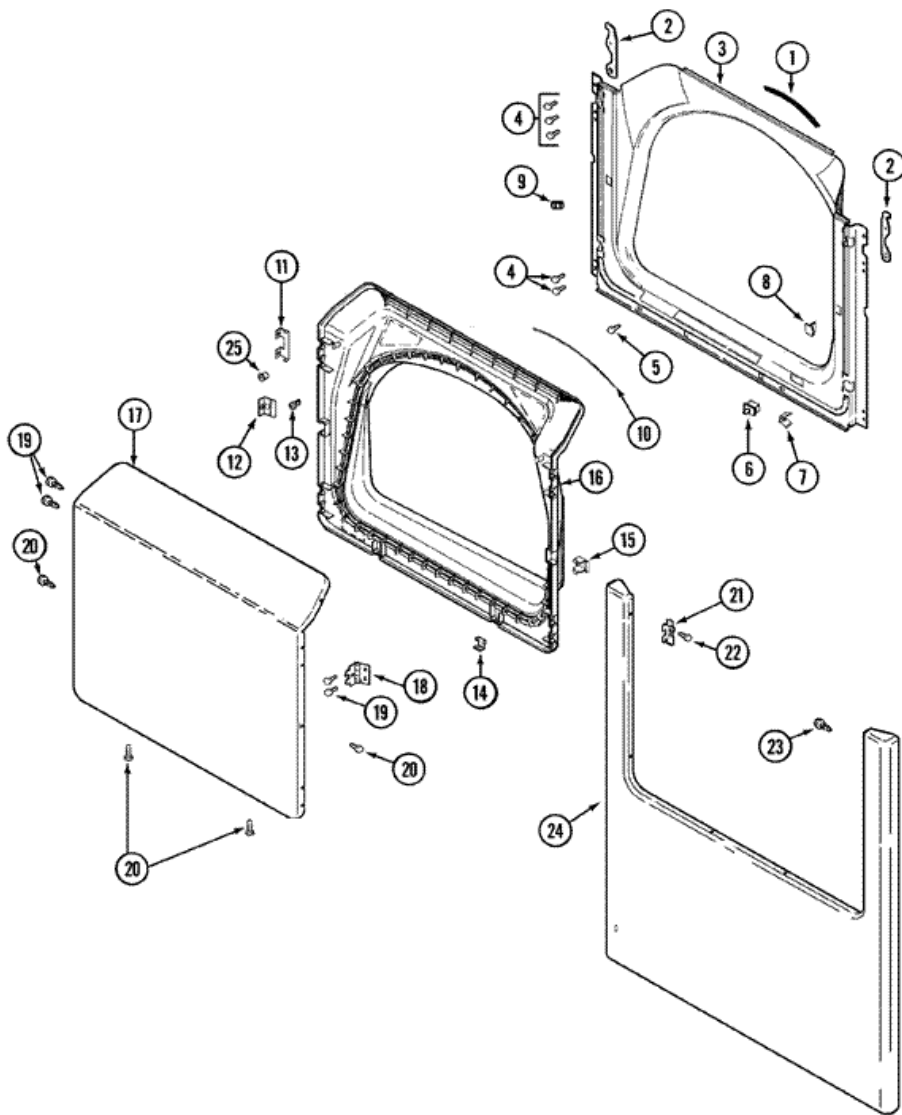
1	22003639	CABINET ASSY. (WHT) <b>DESCONTINUADO</b>
1	22003582	CABINET, ASSY. (WHT-AS PK) <b>DESCONTINUADO</b>
1	22003639	CABINET ASSY. (WHT AS PK) <b>DESCONTINUADO</b>
2	33002283	GUARD, EXHAUST DUCT <b>(S/P)</b>
3	33001795	COVER, TERMINAL BLOCK <b>(S/P)</b>
4	22001995	SCREW <b>(S/P)</b>
6	33002778	CORD, POWER (AS WRAP) <b>(S/P)</b>
7	22001995	SCREW NOTE: SCREW, CABINET <b>(S/P)</b>
8	33001702	FLAP, PIPE <b>(S/P)</b>
9	211881	GROMMET, CORD <b>(S/P)</b>
NI	22004095	HINGE, PLASTIC
NI	22001995	SCREW <b>(S/P)</b>

Distribuidor Autorizado

SurteRápido.com

Venta de Refacciones  
Electrodomesticas

## MDG8600AWW PUERTA





## MDG8600AWW PUERTA

1	33001767	SEAL, SHROUD (S/P)
2	33002597	SECURITY HOOK (S/P)
3	33001778	SHROUD (WHT) (S/P)
4	22001995	SCREW (S/P)
5	33001768	SCREW, SHROUD (S/P)
6	33001508	SWITCH, DOOR
7	33001760	BRACKET, HINGE (S/P)
8	279570	PLUG, DOOR CATCH
9	279570	CATCH, DOOR (FEMALE)
10	33002094	SEAL, DOOR (S/P)
11	22002038	CLIP, DOOR (DOUBLE) (S/P)
12	33001793	BRACKET, STRIKE (S/P)
13	33001761	STRIKE, DOOR (MALE) (S/P)
14	22002039	CLIP, DOOR (SINGLE) (S/P)
15	33001763	PLUG, INNER DOOR (S/P)
16	33001750	DOOR, INNER/ W SEAL (WHT) (S/P)
17	33002430	PANEL, DOOR (WHT-W/MEDALLION)
18	33001759	HINGE, DOOR (S/P)
19	22002062	SCREW (S/P)
20	22002063	SCREW No.8-18AB WAFER HD (S/P)
21	33001764	COVER, HINGE HOLE (WHT) (S/P)
22	33001787	SCREW, HINGE (S/P)
23	22002012	SCREW, HINGE (S/P)
24	22002836	PANEL, FRONT (WHT) (S/P)
25	33001771	BUSHING, INNER DOOR (S/P)
NI	22002039	CLIP, DOOR (SINGLE) (S/P)
NI	22002063	SCREW No.8-18AB WAFER HD (S/P)
NI	22001817	SHEET, SOUND DAMPER (FT. PNL) (S/P)
NI	306436	CATCH, DOOR (W/PLUG) (S/P)

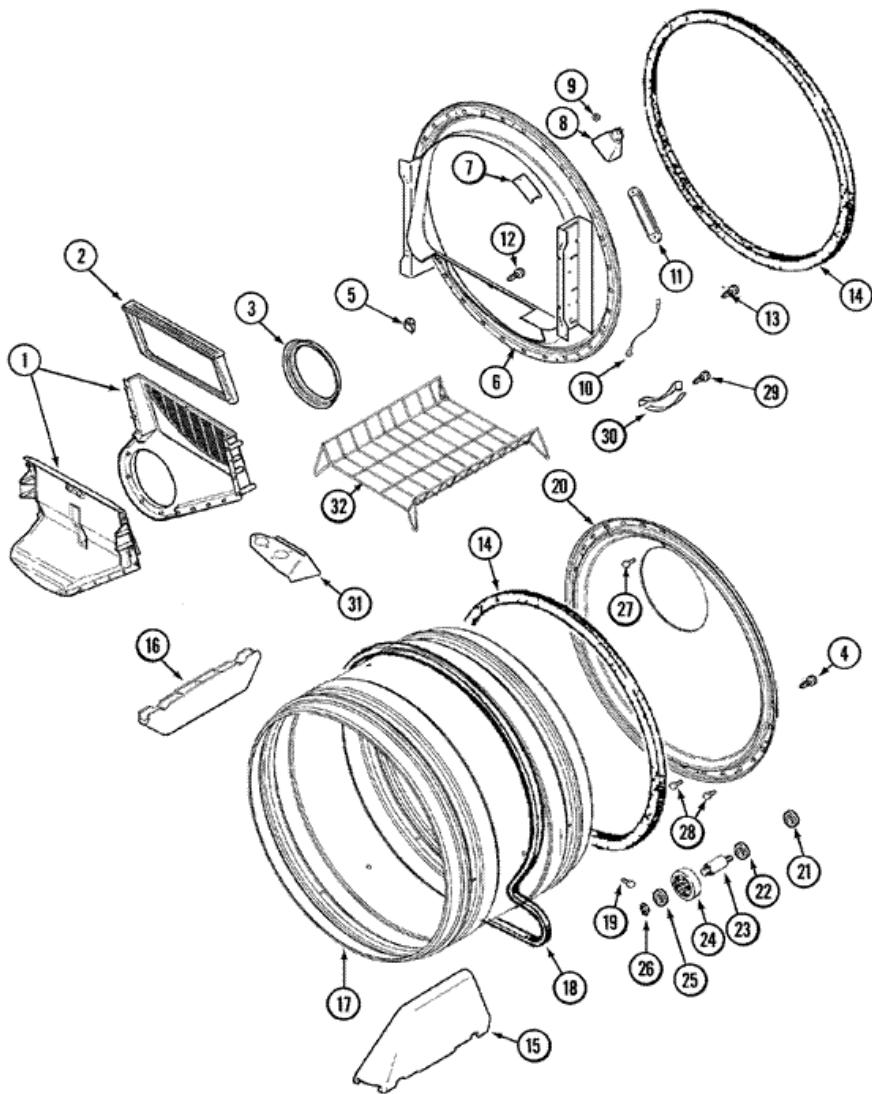


Distribuidor Autorizado

SurteRápido.com

Venta de Refacciones  
Electrodomesticas

# MDG860AWW TAMBOR





## MDG8600AWW TAMBOR

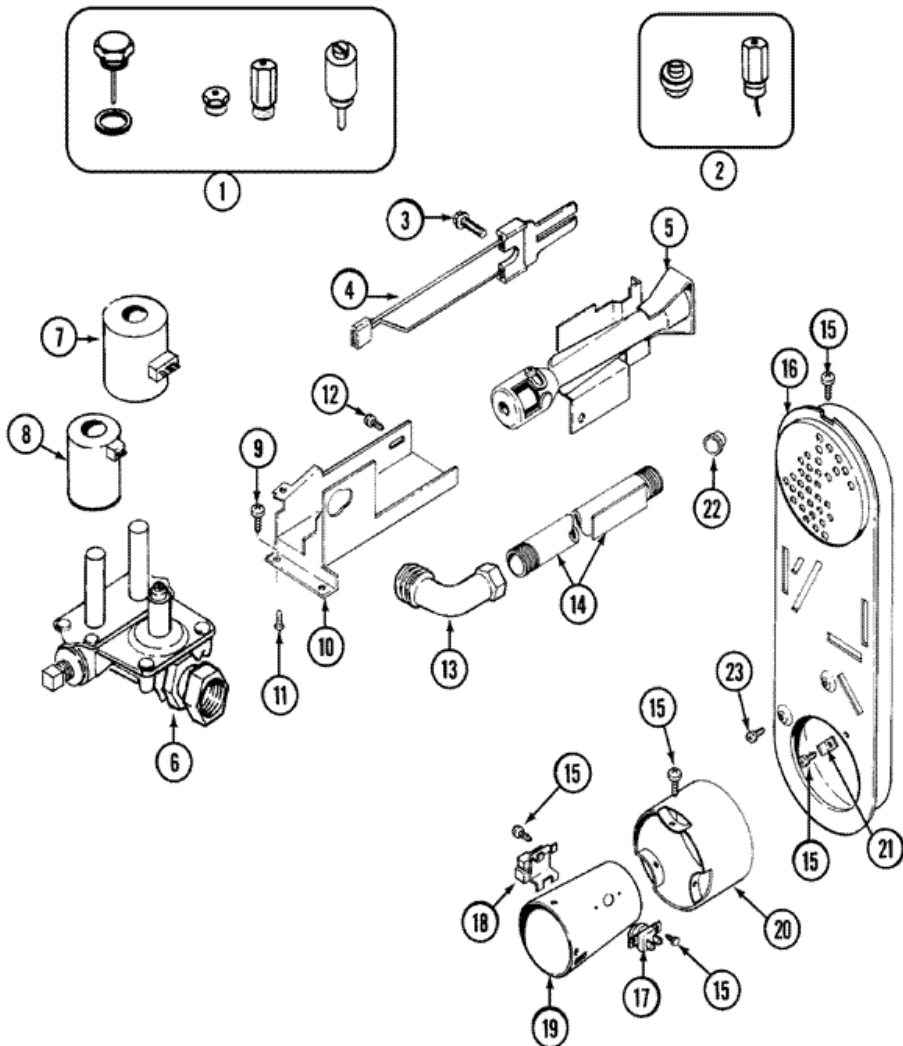
1	33001799	OUTLET DUCT ASSEMBLY
2	33001808	FILTER, LINT
3	33002560	SEAL, BLOWER <b>(S/P)</b>
4	33002190	SCREW (No.10-3/8``) <b>(S/P)</b>
5	488826	CLIP, WIRE HARNESS <b>(S/P)</b>
6	33001868	FRONT, TUMBLER FRONT W/
7	33001869	LENS, DRUM LIGHT <b>(S/P)</b>
8	33001870	HOLDER, LAMP (W/HOUSING) <b>DESCONTINUADO</b>
9	214872	PALNUT, END CAP <b>(S/P)</b>
10	303711	SENSOR GROUND WIRE <b>(S/P)</b>
11	33001809	SENSOR BAR ASSY.
12	312311	SCREW <b>DESCONTINUADO</b>
13	33001855	SCREW (HEX HEAD) <b>(S/P)</b>
14	33001807	SEAL, TUMBLER
15	33002032	BAFFLE (TALL)
16	33001755	BAFFLE (SHORT)
17	33001889	TUMBLER
18	33002535	BELT, TUMBLER
19	33001788	SCREW, BAFFLE <b>(S/P)</b>
20	33001801	BACK, TUMBLER (W/SEAL) <b>(S/P)</b>
21	33001443	NUT, HEX (ROLLER SHAFT) <b>(S/P)</b>
22	312535	WASHER, SPRING (ROLLER SHAFT) <b>(S/P)</b>
23	312948	SHAFT, TUMBLER ROLLER <b>(S/P)</b>
24	12001541	BEARING & ROLLER ASSEMBLY
25	312535	WASHER, ROLLER SHAFT <b>(S/P)</b>
26	9703438	RING, RETAINING <b>(S/P)</b>
27	210932	SCREW, No.8 X 9/16 CTSK <b>(S/P)</b>
28	22001996	SCREW NOTE: SCREW, INLET DUCT <b>(S/P)</b>
29	210720	RIVET NOTE: RIVET, TUMBLER <b>(S/P)</b>
30	306508	TUMBLER BEARING KIT
32	33001917	RACK, DRYING NOTE: RACK, DRYING

Distribuidor Autorizado

SurteRápido.com

Venta de Refacciones  
Electrodomesticas

# MDG8600AWW QUEMADOR





## MDG8600AWW QUEMADOR

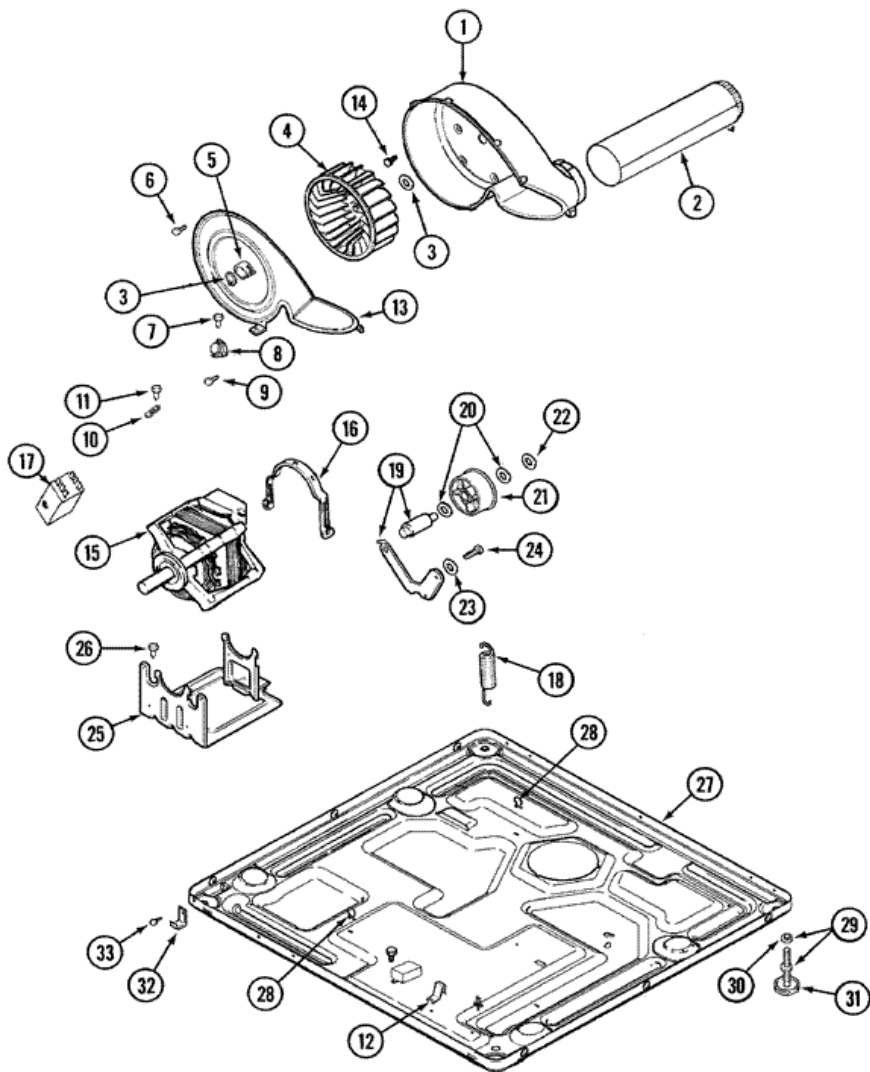
1	33002923	CONVERSION KIT (NATURAL TO LP)
2	33002924	CONVERSION KIT (LP TO NATURAL)
3	304971	SCREW NOTE: SCREW, IGNITER <b>(S/P)</b>
4	WE4X750	IGNITER ASSY, GAS VALVE
5	33002793	BURNER ASSY.
6	306176	VALVE, GAS
7	279834	COIL, HOLDING & BOOSTER
8	3-6105	COIL, SECONDARY
9	313561	SCREW <b>DESCONTINUADO</b>
10	33001834	BRACKET, GAS VALVE <b>DESCONTINUADO</b>
11	314082	SCREW NOTE: SCREW, GAS VALVE <b>(S/P)</b>
11	314568	SCREW-GAS VALVE TO BRACKET <b>(S/P)</b>
12	310632	SCREW NOTE: SCREW, GAS VALVE <b>(S/P)</b>
13	3406051	CONNECTOR, ANGLE
14	33001735	PIPE & BRACKET ASSY. <b>(S/P)</b>
15	211294	SCREW NOTE: SCREW, DUCT <b>(S/P)</b>
16	33002952	DUCT ASSY., INLET (GAS) <b>DESCONTINUADO</b>
17	303395	THERMOSTAT, HI-LIMIT (GAS)
18	338906	SENSOR, RADIANT
19	33001835	CONE ASSY., COMBUSTION <b>(S/P)</b>
20	Y303841	CONE, EXTENSION (COMBUSTION) <b>(S/P)</b>
21	Y312890	RETAINER, HEATER CHAMBER <b>DESCONTINUADO</b>
22	33001693	CAP, GAS PIPE <b>(S/P)</b>
23	22001996	SCREW NOTE: SCREW, DUCT <b>(S/P)</b>

Distribuidor Autorizado

**SurteRápido.com**

Venta de Refacciones  
Electrodomesticas

## MDG8600AWW BASE





## MDG8600AWW BASE

1	33001789	HOUSING, BLOWER (S/P)
2	33001800	DUCT ASSY., EXHAUST (S/P)
3	9703438	RING, RETAINING (S/P)
4	33001790	WHEEL, BLOWER
5	312967	CLAMP, BLOWER HOUSING
6	33001855	SCREW (HEX HEAD) (S/P)
7	313561	SCREW <b>DESCONTINUADO</b>
8	306910	THERMOSTAT, MULTI TEMP (GAS) (S/P)
9	22001996	SCREW (S/P)
10	33001762	FUSE, THERMAL (W` BRACKET)
11	314848	SCREW (S/P)
12	22002244	CLIP, GROUNDING (S/P)
13	33002711	COVER, BLOWER HOUSING (S/P)
14	314818	SCREW (S/P)
15	33002478	MOTOR
15	33002795	MOTOR, DRIVE 60HZ
16	Y015825	CLIP, MOTOR (S/P)
17	33002478	SWITCH, MOTOR
18	33002459	SPRING, IDLER (S/P)
19	33001840	IDLER ARM & SHAFT ASSY.
20	312527	WASHER, IDLER SHAFT (QTY-1) (S/P)
21	33001783	BEARING, IDLER ASSEMBLY
22	354987	RETAINING RING, IDLER SHAFT (S/P)
23	315772	SLEEVE, IDLER ARM (S/P)
24	Y014874	SCREW (S/P)
25	33002817	SUPPORT, MOTOR (S/P)
26	313561	SCREW <b>DESCONTINUADO</b>
27	33002622	BASE, (LWR) (S/P)
27	33002465	BASE, (LWR) <b>DESCONTINUADO</b>
28	410490	SPRING, WIRE HARNESS (S/P)
29	305086	ADJUSTABLE LEG & NUT
30	Y052740	NUT (S/P)
31	314137	FOOT, RUBBER

32	22002239	CLIP, LOWER FRONT PANEL (S/P)
33	310632	SCREW (S/P)
NI	22001995	SCREW (S/P)
NI	33002461	PLUG FOR SPRING (S/P)
NI	33002409	THERMOSTAT, ULTRA CARE (S/P)
NI	313561	SCREW <b>DESCONTINUADO</b>