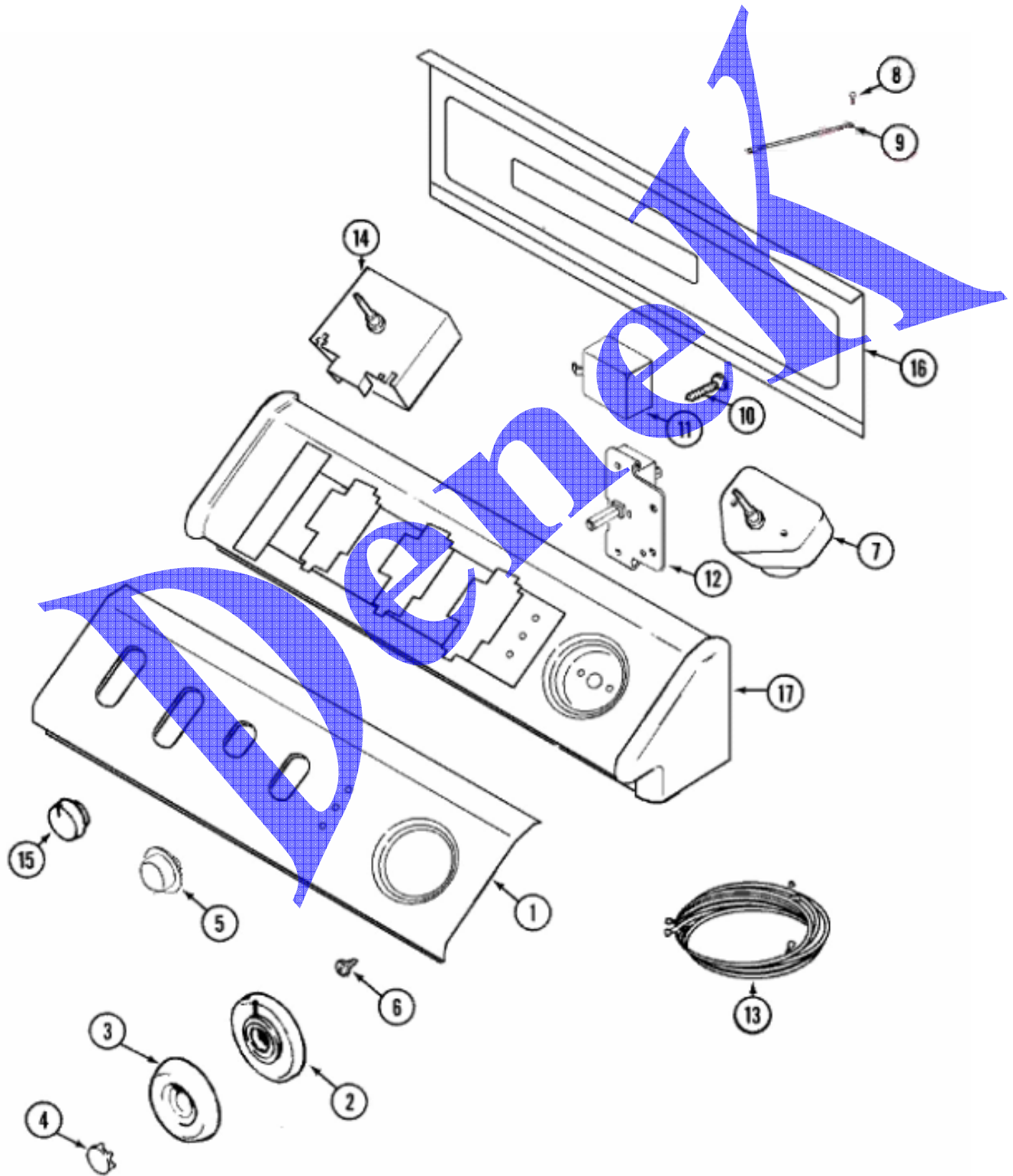


SECADORA MTG. MOD. MDG9316AWW

PANEL DE CONTROL



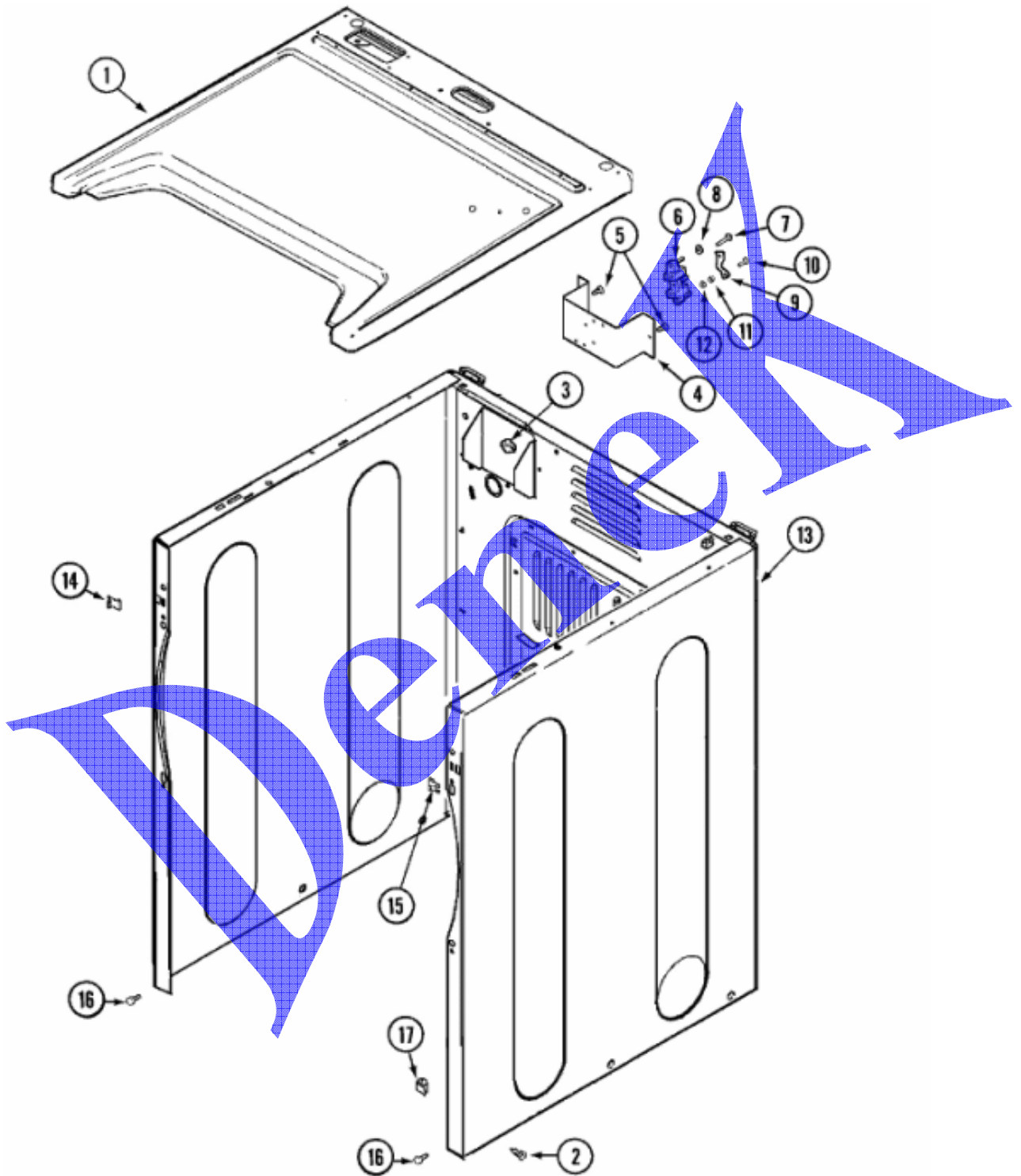
SECADORA MTG. MOD. MDG9316AWW

PANEL DE CONTROL

NUMERO	N.DE PARTE	DESCRIPCION
1	22002339	SCREW
1	33001924	PANEL, CONTROL (WHT)
1	33001925	PANEL, CONTROL (ALM)
2	33001621	SKIRT, TIMER DIAL (WHT)
2	33001622	SKIRT, TIMER DIAL (ALM)
3	22001659	TIMER KNOB - GREY
4	22001664	TIMER KNOB INSERT/CAP (WHT)
4	22001665	INSERT, TIMER KNOB (ALM)
5	33001619	BUTTON, PUSH TO START (WHT)
5	33001620	BUTTON, PUSH TO START (ALM)
6	33001690	SCREW, TIMER
7	33001631	TIMER
8	210186	SCREW, GROUND WIRE TO BASE-NA
9	33001859	WIRE, GROUND
10	216423	SCREW
11	33001623	BUZZER, NON-ADJUSTABLE
12	33001861	SWITCH, PUSH TO START (WHT)
12	33001862	SWITCH, PUSH TO START (ALM)
13	33001928	WIRE HARNESS, MAIN
13	33001929	WIRE HARNESS, MAIN
14	33001638	SWITCH, TEMPERATURE (ELC.)
14	33001639	SWITCH, TEMPERATURE (GAS)
15	22001663	KNOB, SELECTOR SWITCH (WHT)
15	22001667	KNOB, SELECTOR SWITCH (ALM)
16	216423	SCREW
16	33001806	BACK, CONSOLE PANEL
17	22002285	CONSOLE (WHT)
17	22002286	CONSOLE (ALM)
18	33001902	MANUAL, USE & CARE
18	33001911	MANUAL, USE & CARE (FRENCH)

SECADORA MTG. MOD. MDG9316AWW

GABINETE



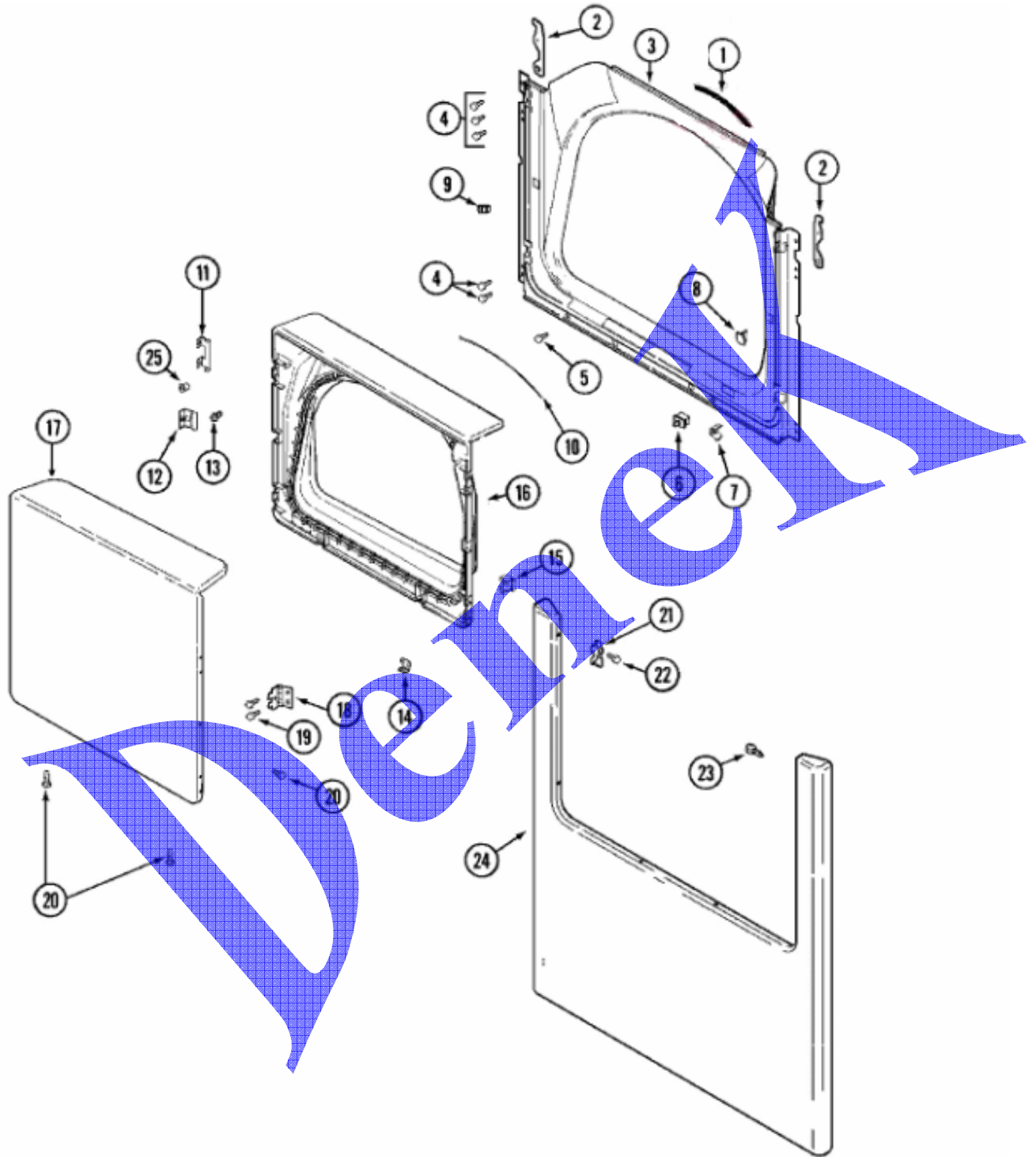
SECADORA MTG. MOD. MDG9316AWW

GABINETE

NUMERO	N.DE PARTE	DESCRIPCION
1	33001896	COVER, TOP (WHT)
1	33001906	COVER, TOP (ALM)---NA
1	33002631	COVER, TOP (WHT-AS PK)
2	213007	SCREW, CABINET
2	22003409	SCREW---NA
3	310376	CLIP, WIRE HARNESS
4	33001826	BRACKET, TERMINAL BLOCK---NA
5	22001995	SCREW
6	33001244	BLOCK, TERMINAL
7	312209	SCREW, #10-24 X 3/4 INCH
8	311270	WASHER, TERMINAL BLOCK
9	312184	STRAP, GROUND
10	33001245	SCREW---NA
11	311484	NUT, TERMINAL BLOCK
12	311093	WASHER, 7/32 INCH
13	22003643	CABINET ASSY. (WHT AS PK)
13	33001897	CABINET (WHT)
13	33001898	CABINET (ALM)---NA
13	33002624	CABINET, ASSY. (WHT-AS PK)
14	22002049	CLIP
15	213280	FRONT PANEL BRACKET/FASTENER
16	22001995	SCREW
17	310376	CLIP, WIRE HARNESS

SECADORA MTG. MOD. MDG9316AWW

PUERTA



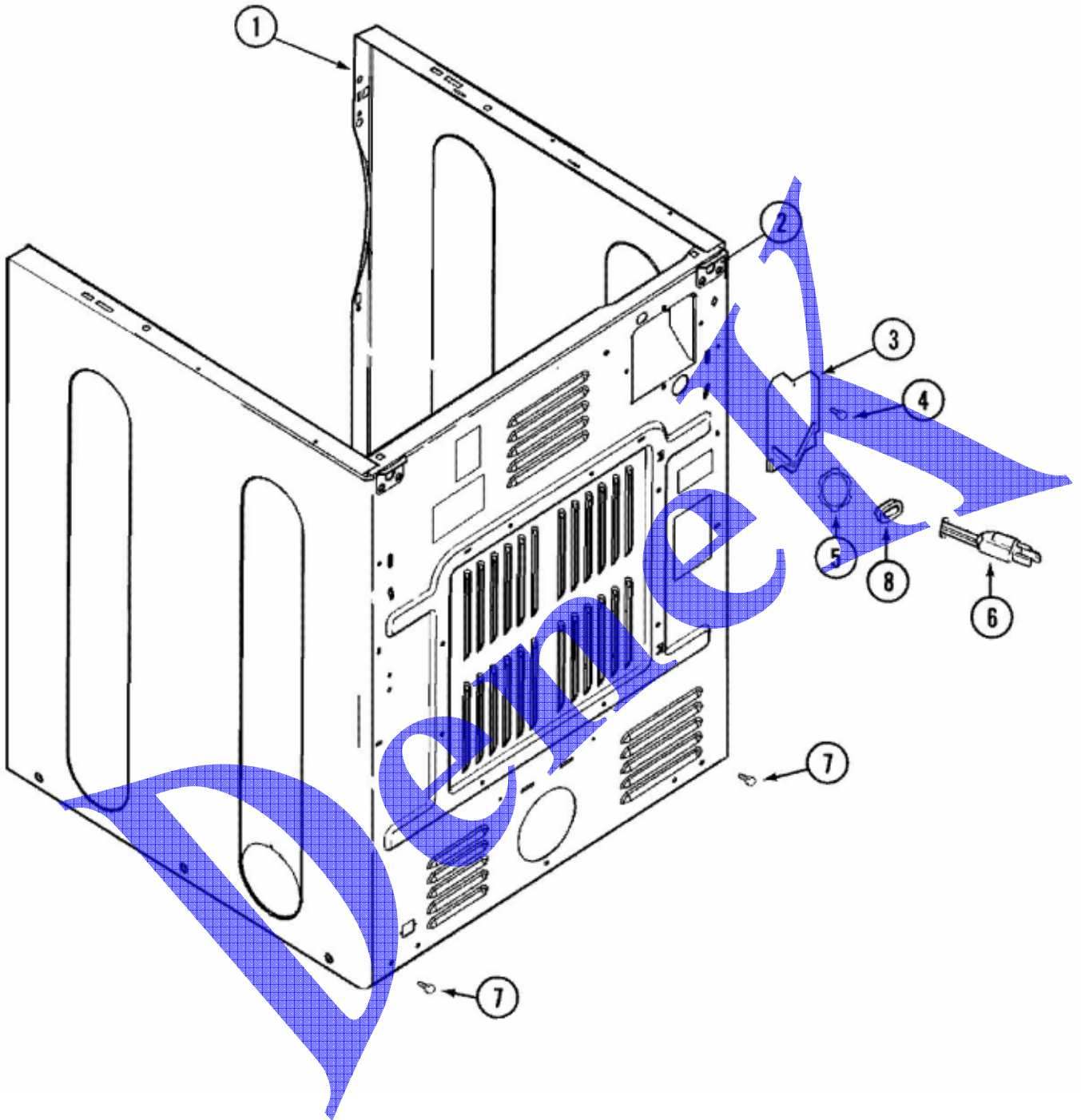
SECADORA MTG. MOD. MDG9316AWW

PUERTA

NUMERO	N.DE PARTE	DESCRIPCION
1	33001767	SEAL, SHROUD
2	22002247	HOOK, SECURITY
3	33001907	SHROUD (ALM)----NA
3	33001900	SHROUD (WHT)
4	22001905	SCREW
5	33001768	SCREW, SHROUD
6	33001508	SWITCH, DOOR
7	33001760	BRACKET, HINGE
8	33001174	PLUG, DOOR CATCH
9	33001791	CATCH, DOOR (W.PLUG)
9	304578	CATCH, DOOR (FEMALE)
10	33002094	SEAL, DOOR
11	22002038	CLIP, DOOR (DOUBLE)
12	33001793	BRACKET, STRIKE
13	33001761	STRIKE, DOOR (MALE)
14	22002039	CLIP, DOOR (SINGLE)
15	33001763	PLUG, INNER DOOR
16	22002063	SCREW #8-18AB WAFER HD
16	22002039	CLIP, DOOR (SINGLE)
16	33001899	DOOR, INNER (WHT)
16	33001908	DOOR, INNER (ALM)
17	33001909	DOOR, OUTER (ALM)----NA
17	33001904	DOOR, OUTER (WHT)
17	22001817	SHEET, SOUND DAMPER (FT. PNL)
18	33001759	HINGE, DOOR
19	22002062	SCREW
20	22002063	SCREW #8-18AB WAFER HD
20	22002064	SCREW, OUTER DOOR (ALM)
21	33001764	COVER, HINGE HOLE (WHT)
21	33001765	COVER, HINGE HOLE (ALM)
22	33001787	SCREW, HINGE
23	22002012	SCREW, HINGE
24	33001901	PANEL, FRONT (WHT)
24	33001910	PANEL, FRONT (ALM)----NA
25	33001771	BUSHING, INNER DOOR

SECADORA MTG. MOD. MDG9316AWW

PARTE POSTERIOR DEL GABINETE



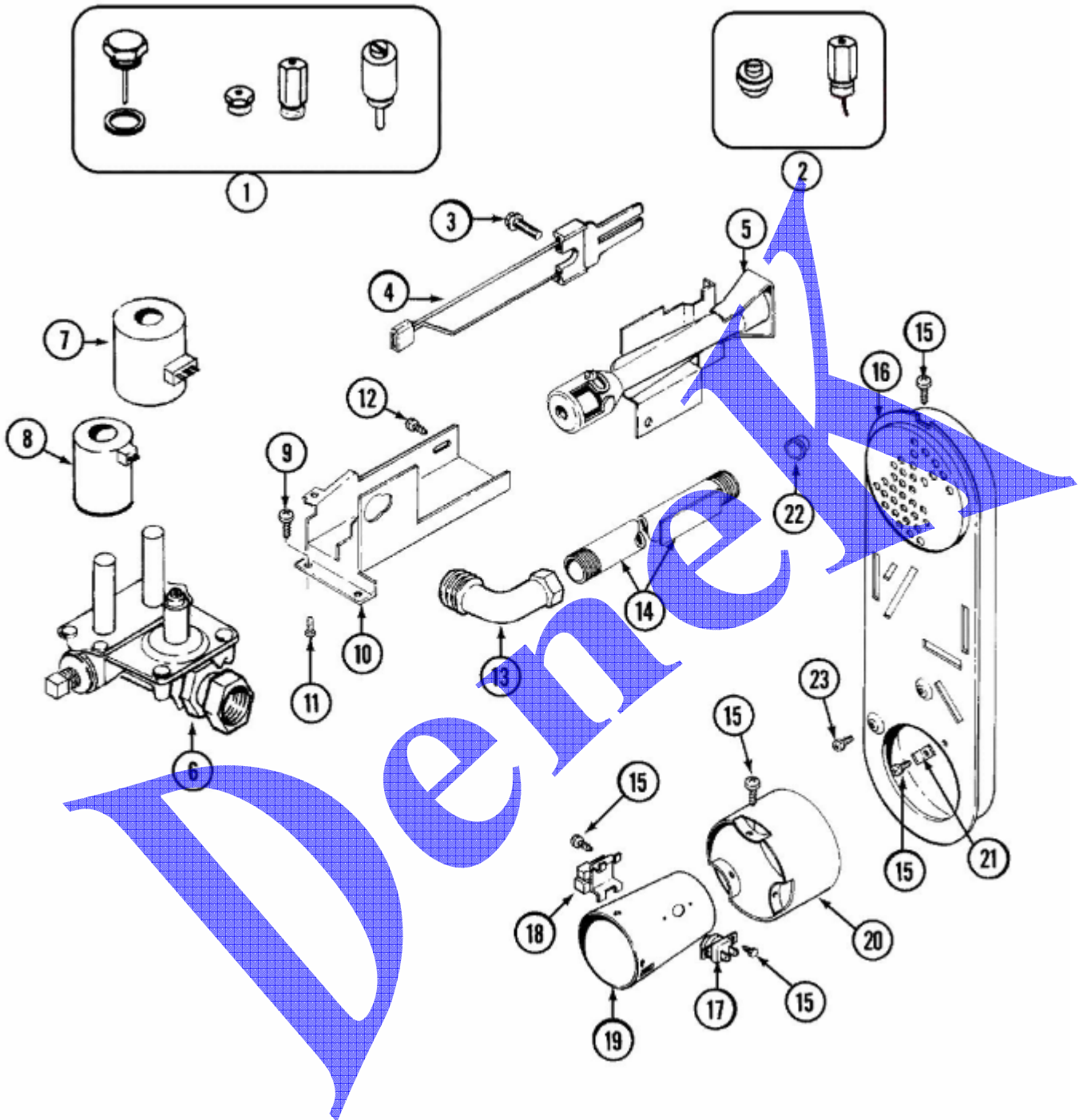
SECADORA MTG. MOD. MDG9316AWW

PARTE POSTERIOR DEL GABINETE

NUMERO	N.DE PARTE	DESCRIPCION
1	22003643	CABINET ASSY. (WHT AS PK)
1	33001897	CABINET (WHT)
1	33001898	CABINET (ALM)----NA
1	33002624	CABINET, ASSY. (WHT-AS PK)
2	33001827	BRACKET, CABINET HINGE
2	22003867	HINGE, PLASTIC
2	22001995	SCREW
3	33001795	COVER, TERMINAL BLOCK
4	22001995	SCREW
5	33001425	LOCKNUT, EARED FOR CANADIAN
6	305168	CORD, POWER (CANADA)
6	33001246	CORD, POWER
7	22001995	SCREW
8	211881	GROMMET, CORD

SECADORA MTG. MOD. MDG9316AWW

VALVULA DEL GAS



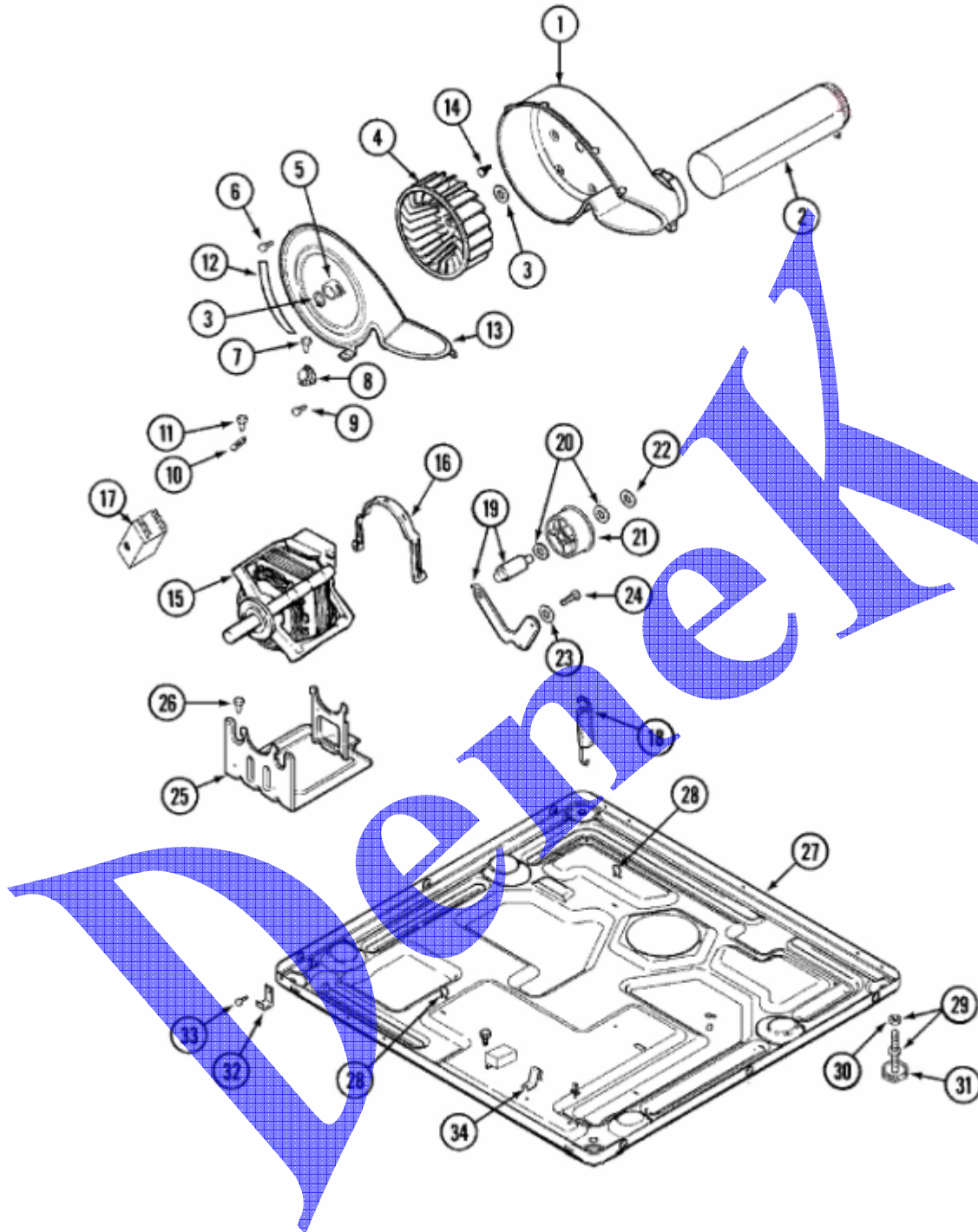
SECADORA MTG. MOD. MDG9316AWW

VALVULA DEL GAS

NUMERO	N.DE PARTE	DESCRIPCION
1	306195	CONVERSION KIT (NATURAL TO LP)
2	306204	CONVERSION KIT (LP TO NATURAL)
3	304971	SCREW
4	304970	IGNITER ASSY, GAS VALVE
5	33001247	BURNER ASSY.
6	306176	VALVE, GAS
7	306106	COIL, HOLDING & BOOSTER
8	306105	COIL, SECONDARY
9	313561	SCREW---NA
10	33001834	BRACKET, GAS VALVE----NA
11	314082	SCREW
11	314568	SCREW GAS VALVE TO BRACKET
12	310632	SCREW
13	33001842	CONNECTOR, ANGLE
14	33001735	PIPE & BRACKET ASSY.
15	211294	SCREW
16	33001810	DUCT ASSY. INLET (GAS)
16	33002765	INLET DUCT ASSEMBLY (GAS)
17	303395	THERMOSTAT, HI-LIMIT (GAS)
18	303377	SENSOR, RADIANT
19	22001996	SCREW
19	33001835	CONE ASSY. COMBUSTION
20	303841	CONE, EXTENSION (COMBUSTION)
21	22001996	SCREW
21	312890	RETAINER, HEATER CHAMBER
22	33001693	CAP, GAS PIPE
23	22001996	SCREW

SECADORA MTG. MOD. MDG9316AWW

MOTOR



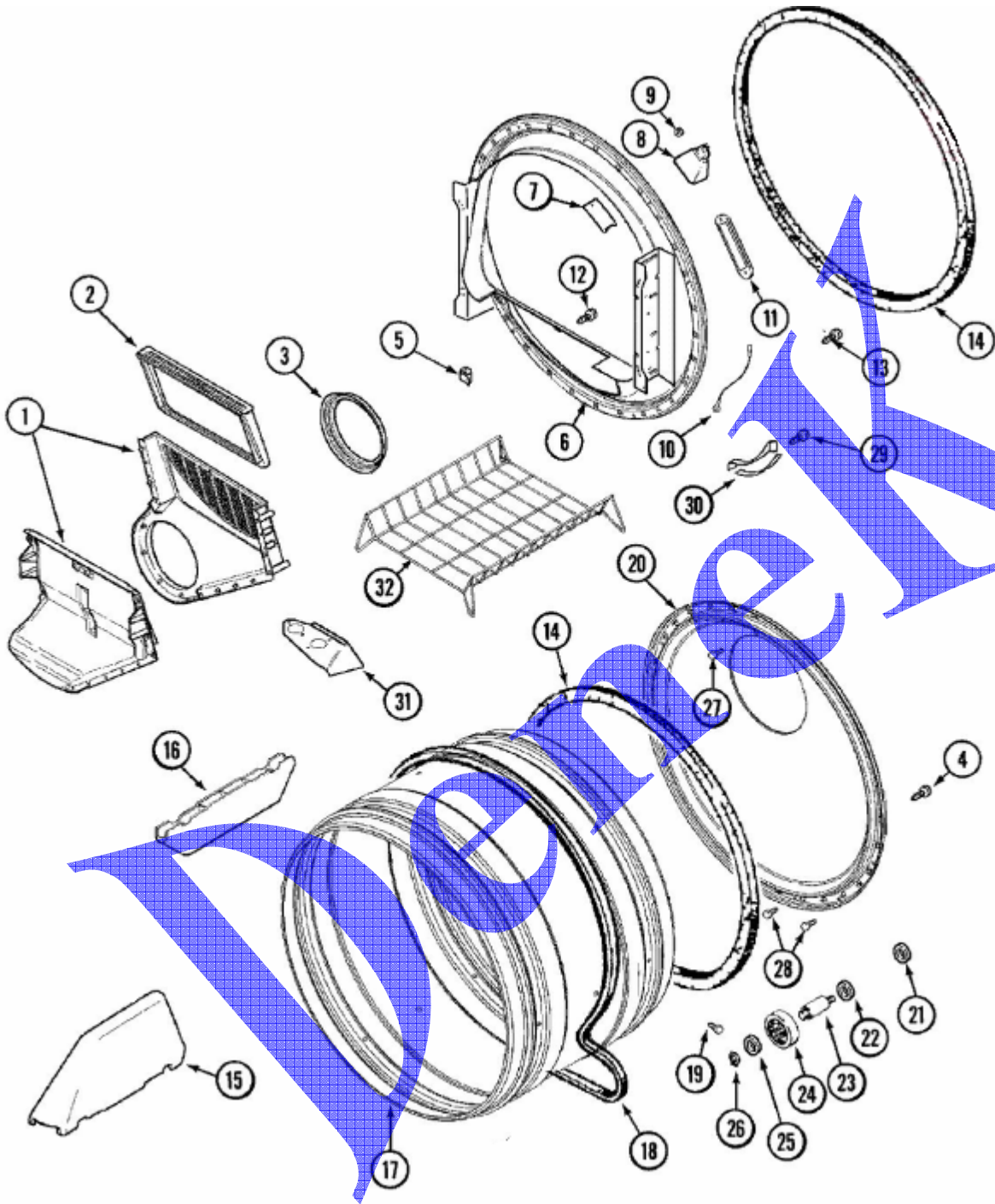
SECADORA MTG. MOD. MDG9316AWW

MOTOR

NUMERO	N.DE PARTE	DESCRIPCION
1	33001789	HOUSING, BLOWER
2	33001800	DUCT ASSY., EXHAUST
2	22001995	SCREW
3	410233	RING, RETAINING
4	33002797	WHEEL, BLOWER
4	33001790	WHEEL, BLOWER
5	312967	CLAMP, BLOWER HOUSING
6	33001855	SCREW (HEX HEAD)
7	313561	SCREW ---NA
8	307249	THERMOSTAT, MULTI-TEMP (ELEC)
8	307250	THERMOSTAT, MULTI-TEMP (GAS)
9	22001996	SCREW
10	33001762	FUSE, THERMAL (W' BRACKET)
11	314848	SCREW
12	33001772	SEAL, BLOWER COVER
13	33001873	COVER, BLOWER HOUSING----NA
14	314818	SCREW
15	33002237	MOTOR (W/PULLEY)
15	33002462	MOTOR (120V 60HZ)
15	33001853	MOTOR (W/PULLEY)
15	33002795	MOTOR, DRIVE 60HZ
15	33002478	MOTOR
16	15825	CLIP, MOTOR
17	33001854	SWITCH, MOTOR
18	33002157	GROMMET
18	33001754	SPRING, IDLER
19	33001840	IDLER ARM & SHAFT ASSY.
20	312527	WASHER, IDLER SHAFT (QTY-1)
21	33001783	BEARING, IDLER ASSEMBLY
22	312958	RETAINING RING, IDLER SHAFT
23	315772	SLEEVE, IDLER ARM
24	14874	SCREW
25	313561	SCREW---NA
25	33001752	SUPPORT, MOTOR
26	313561	SCREW---NA

SECADORA MTG. MOD. MDG9316AWW

TAMBOR



SECADORA MTG. MOD. MDG9316AWW

TAMBOR

NUMERO	N.DE GUIA	DESCRIPCION
1	33001799	OUTLET DUCT ASSEMBLY
2	33001808	FILTER, LINT
3	33001758	SEAL, BLOWER
4	33002190	SCREW (#10-3/8")
5	310376	CLIP, WIRE HARNESS
6	33001903	FRONT, TUMBLER (W/LIGHT)
7	33001869	LENS, DRUM LIGHT
7	33001871	SCREW
8	33001870	HOLDER, LAMP (W/HOUSING)
8	22002263	LAMP (10 WATT)
9	214872	PALNUT, END CAP
10	211294	SCREW
10	303711	SENSOR GROUND WIRE
11	22001078	SCREW
11	33001809	SENSOR BAR ASSY.
12	312311	SCREW---NA
13	33001855	SCREW (HEX HEAD)
14	33001807	SEAL, TUMBLER
15	33001756	BAFFLE (TALL)
16	33001755	BAFFLE (SHORT)
17	33001889	TUMBLER
17	33002779	TUMBLER BACK & SEAL AS-PACK
18	33001777	BELT, TUMBLER
19	33001788	SCREW, BAFFLE
20	33001801	BACK, TUMBLER (W/SEAL)
21	33001443	NUT, HEX (ROLLER SHAFT)
22	313347	WASHER, SPRING (ROLLER SHAFT)
23	312948	SHAFT, TUMBLER ROLLER
24	303373	BEARING & ROLLER ASSEMBLY
25	312535	WASHER, ROLLER SHAFT
26	410233	RING, RETAINING
27	210932	SCREW, #8 X 9/16 CTSK
28	22001996	SCREW
29	210720	RIVET
30	306508	TUMBLER BEARING KIT
31	33001837	COVER, THERMOSTAT (ELEC ONLY)
32	33001917	RACK, DRYING