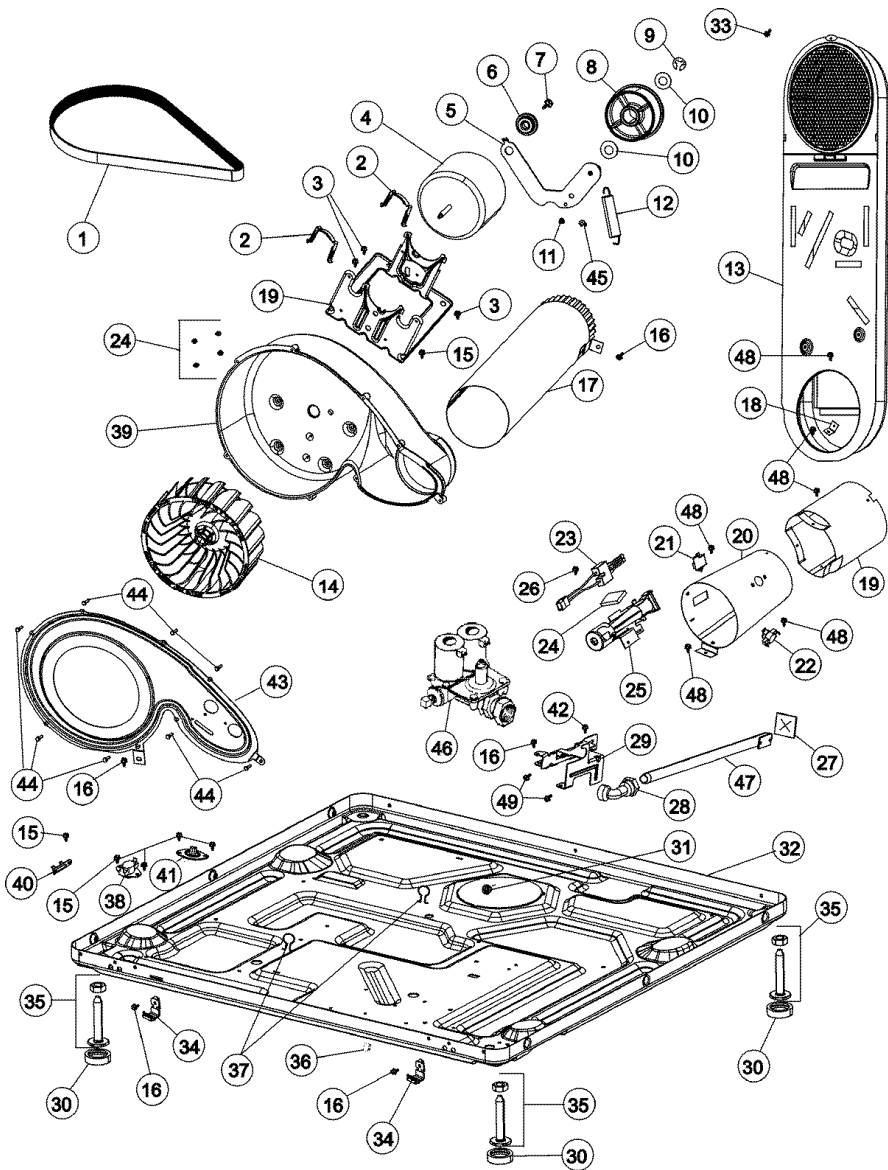


Distribuidor Autorizado

SurteRápido.com

Venta de Refacciones  
Electrodomesticas

MDG9800AWW BASE





## MDG9800AWW BASE

|    |          |  |
|----|----------|--|
| 1  | 33002535 | V-BELT (TUMBLER)                               |
| 2  | 33002221 | CLIP, MOTOR (S/P)                              |
| 3  | Y313561  | SCREW----NA (S/P)                              |
| 4  | 33002795 | MOTOR, DRIVE 60HZ                              |
| 5  | 33001840 | IDLER ARM & SHAFT ASSY.                        |
| 6  | 315772   | SLEEVE, IDLER ARM (S/P)                        |
| 7  | Y014874  | SCREW (S/P)                                    |
| 8  | 33001783 | BEARING, IDLER ASSEMBLY                        |
| 9  | 312958   | RETAINING RING, IDLER SHAFT (S/P)              |
| 10 | Y312527  | WASHER, IDLER SHAFT (QTY-1) (S/P)              |
| 11 | 33002218 | GROMMET, IDLER ARM (S/P)                       |
| 12 | 33002459 | ASSEMBLY, SPRING & PLUG (S/P)                  |
| 13 | 33002952 | INLET DUCT ASSEMBLY (GAS) <b>DESCONTINUADO</b> |
| 14 | 33002797 | WHEEL, BLOWER                                  |
| 15 | 22002925 | SCREW (S/P)                                    |
| 16 | 33002190 | SCREW (No.10-3/8``) (S/P)                      |
| 17 | 33001800 | DUCT ASSY., EXHAUST (S/P)                      |
| 18 | Y312890  | RETAINER, HEATER CHAMBER (S/P)                 |
| 19 | Y303841  | CONE, EXTENSION (COMBUSTION) (S/P)             |
| 20 | 33001835 | CONE ASSY., COMBUSTION (S/P)                   |
| 21 | 338906   | SENSOR, RADIANT                                |
| 22 | 303395   | THERMOSTAT, HI-LIMIT (GAS)                     |
| 23 | 33002789 | IGNITER ASSEMBLY (S/P)                         |
| 24 | 33002932 | IGNITOR SHOCK PAD (S/P)                        |
| 25 | 33002793 | BURNER ASSEMBLY                                |
| 26 | 304971   | SCREW (S/P)                                    |
| 27 | 33001702 | FLAP, PIPE (S/P)                               |
| 28 | 33001842 | CONNECTOR, ANGLE                               |
| 29 | 33001834 | BRACKET, GAS VALVE----NA (S/P)                 |
| 30 | 314137   | FOOT, RUBBER                                   |
| 31 | 33002157 | GROMMET (S/P)                                  |
| 32 | 33002465 | BASE, (LWR)----NA (S/P)                        |
| 33 | 210932   | SCREW, No.8 X 9/16 CTSK (S/P)                  |

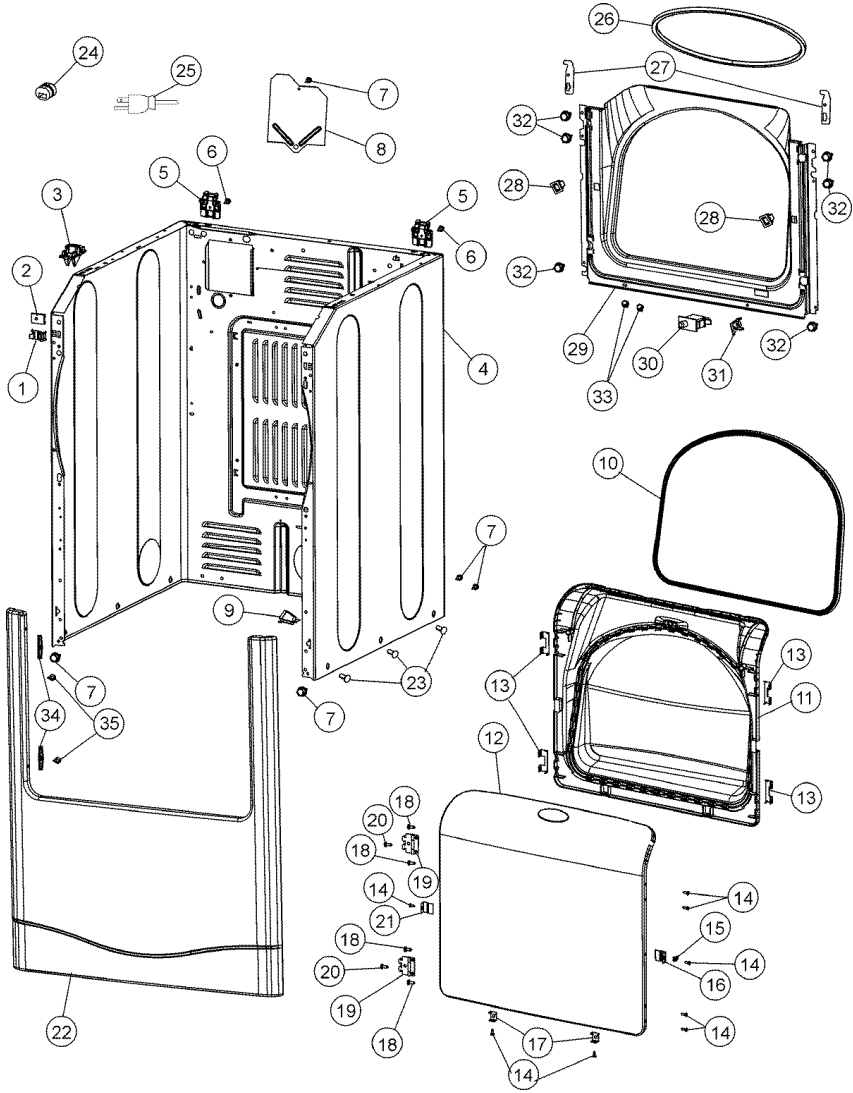
|    |          |                                   |
|----|----------|-----------------------------------|
| 34 | 22002239 | CLIP, LOWER FRONT PANEL (S/P)     |
| 35 | 305086   | ADJUSTABLE LEG & NUT              |
| 36 | 22002244 | CLIP, GROUNDING (S/P)             |
| 37 | 410490   | SPRING, WIRE HARNESS (S/P)        |
| 38 | 33002567 | THERMOSTAT, CYCLING (LIMIT) (S/P) |
| 39 | 33001789 | HOUSING, BLOWER (S/P)             |
| 40 | 33001762 | FUSE, THERMAL (W` BRACKET)        |
| 41 | 307208   | THERMISTOR, TEMP. CONTROL (S/P)   |
| 42 | Y310632  | SCREW (S/P)                       |
| 43 | 33002711 | COVER, BLOWER HOUSING (S/P)       |
| 44 | 33002917 | SCREW (HEX HEAD) (S/P)            |
| 45 | 33002461 | PLUG FOR SPRING (S/P)             |
| 46 | 306176   | VALVE, GAS                        |
| 47 | 33001735 | PIPE & BRACKET ASSY. (S/P)        |
| 48 | 211294   | SCREW (S/P)                       |
| 49 | 314082   | SCREW (S/P)                       |

Distribuidor Autorizado

SurteRápido.com

Venta de Refacciones  
Electrodomesticas

## MDG980AWW GABINETE

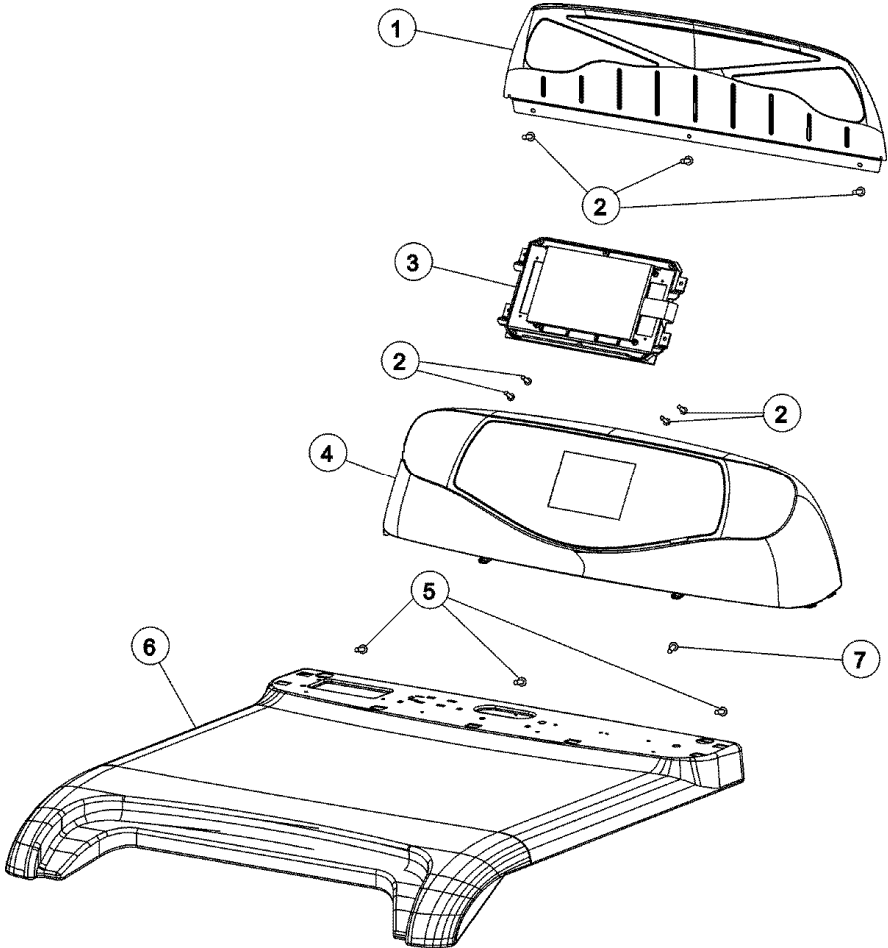




**MDG9800AWW GABINETE**

|    |          |  |
|----|----------|--|
| 1  | 22002049 | CLIP (S/P)                                     |
| 2  | 213280   | FRONT PANEL BRACKET/FASTENER (S/P)             |
| 3  | 33002891 | PIN, LOCATOR (S/P)                             |
| 4  | 22003639 | CABINET ASSY. (WHT AS PK) <b>DESCONTINUADO</b> |
| 5  | 22004095 | HINGE, PLASTIC                                 |
| 7  | 33002190 | SCREW (No.10-3/8``) (S/P)                      |
| 8  | 33001795 | COVER, TERMINAL BLOCK (S/P)                    |
| 9  | Y310376  | CLIP, WIRE HARNESS (S/P)                       |
| 10 | 33001807 | SEAL, TUMBLER                                  |
| 11 | 33002889 | DOOR, INNER W/SEAL (WHT) T (S/P)               |
| 12 | 33002887 | DOOR, OUTER W/MED. AS PK WHT T (S/P)           |
| 13 | 22002038 | CLIP, DOOR (DOUBLE) (S/P)                      |
| 14 | 22002063 | SCREW No.8-18AB WAFER HD (S/P)                 |
| 15 | 33001761 | STRIKE, DOOR (MALE) (S/P)                      |
| 16 | 33001793 | BRACKET, STRIKE (S/P)                          |
| 17 | 22002039 | CLIP, DOOR (SINGLE) (S/P)                      |
| 19 | 33001759 | HINGE, DOOR (S/P)                              |
| 20 | 22002012 | SCREW, HINGE (S/P)                             |
| 21 | 33001763 | PLUG, INNER DOOR (S/P)                         |
| 22 | 33002882 | PANEL, FRONT AS PACK (WHT) T (S/P)             |
| 23 | 33002794 | SCREW (OVAL 6 LOBE) (S/P)                      |
| 24 | 2-11881  | GROMMET, CORD                                  |
| 25 | 22003062 | CORD, POWER (AS WRAPPED) (S/P)                 |
| 26 | 33001767 | SEAL, SHROUD (S/P)                             |
| 27 | 33002597 | HOOK, SECURITY (S/P)                           |
| 28 | 306436   | DOOR LATCH KIT                                 |
| 29 | 33002379 | SHROUD (BSQ) (S/P)                             |
| 29 | 33002033 | SHROUD (WHT) (S/P)                             |
| 30 | 33001508 | SWITCH, DOOR                                   |
| 31 | 33001760 | BRACKET, HINGE (S/P)                           |
| 33 | 33001768 | SCREW, SHROUD (S/P)                            |
| 34 | 33001764 | COVER, HINGE HOLE (WHT) (S/P)                  |
| 35 | 33001787 | SCREW, HINGE (S/P)                             |

**MDG9800AWW TABLERO**

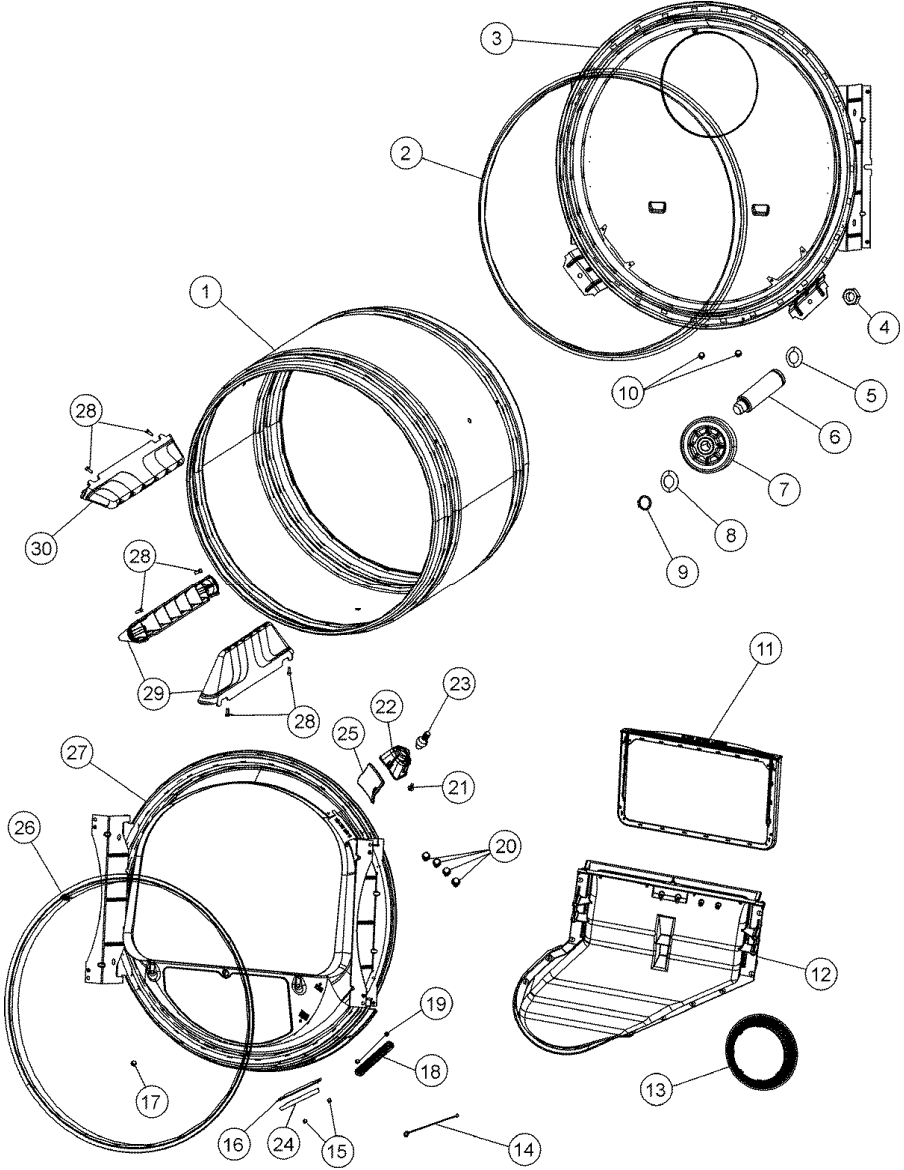




## MDG9800AWW TABLERO

|   |          |                                      |
|---|----------|--------------------------------------|
| 1 | 33002893 | CONSOLE BACK PANEL (S/P)             |
| 2 | 25001021 | SCREW, No.8-16 TRUSS HD (S/P)        |
| 3 | 33002886 | CONTROL BOARD ASSY/LCD AS PK T (S/P) |
| 4 | 33002894 | CONSOLE/MEMBRANE ASY WHT A/PT (S/P)  |
| 5 | 22002925 | SCREW (S/P)                          |
| 6 | 33002884 | TOP COVER - AS PACK (WHT) T (S/P)    |
| 7 | 22003817 | SCREW, SERRATED WASHER HEAD HX (S/P) |

**MDG9800AWW TAMBOR**







## MDG9800AWW TAMBOR

|    |          |   |
|----|----------|---|
| 1  | 33001889 | TUMBLER                                       |
| 2  | 33001807 | SEAL, TUMBLER                                 |
| 3  | 33002779 | TUMBLER BACK & SEAL AS-PACK (S/P)             |
| 4  | 33001443 | NUT, HEX (ROLLER SHAFT) (S/P)                 |
| 5  | 312535   | WASHER, ROLLER SHAFT (S/P)                    |
| 6  | Y312948  | SHAFT, TUMBLER ROLLER (S/P)                   |
| 7  | 12001541 | DRUM ROLLER/WASHER ASSY.                      |
| 8  | 312535   | WASHER, ROLLER SHAFT (S/P)                    |
| 9  | 9703438  | RING, RETAINING (S/P)                         |
| 10 | 211294   | SCREW (S/P)                                   |
| 11 | 33001808 | FILTER, LINT                                  |
| 12 | 33001799 | OUTLET DUCT ASSEMBLY                          |
| 13 | 33002560 | SEAL, BLOWER (S/P)                            |
| 14 | Y303711  | SENSOR GROUND WIRE (S/P)                      |
| 15 | 210720   | RIVET (S/P)                                   |
| 16 | 306508   | TUMBLER BEARING KIT                           |
| 17 | 312311   | SCREW----NA (S/P)                             |
| 18 | 33001809 | SENSOR BAR ASSY.                              |
| 19 | 33001078 | PANEL, CONTROL (BLK) (S/P)                    |
| 20 | 33001855 | SCREW (HEX HEAD) (S/P)                        |
| 21 | 33001871 | SCREW (S/P)                                   |
| 22 | 33001870 | HOLDER, LAMP (W/HOUSING) <b>DESCONTINUADO</b> |
| 23 | 22002263 | LAMP (10 WATT) (S/P)                          |
| 24 | 312940   | BEARING PAD F/TUMBLER FRONT (S/P)             |
| 25 | 33001869 | LENS, DRUM LIGHT (S/P)                        |
| 26 | 33001807 | SEAL, TUMBLER                                 |
| 27 | 33001868 | FRONT, TUMBLER FRONT W/SENSOR (S/P)           |
| 28 | 33001788 | SCREW, BAFFLE (S/P)                           |
| 29 | 33002032 | BAFFLE (TALL)                                 |
| 30 | 33001755 | BAFFLE (SHORT) (S/P)                          |