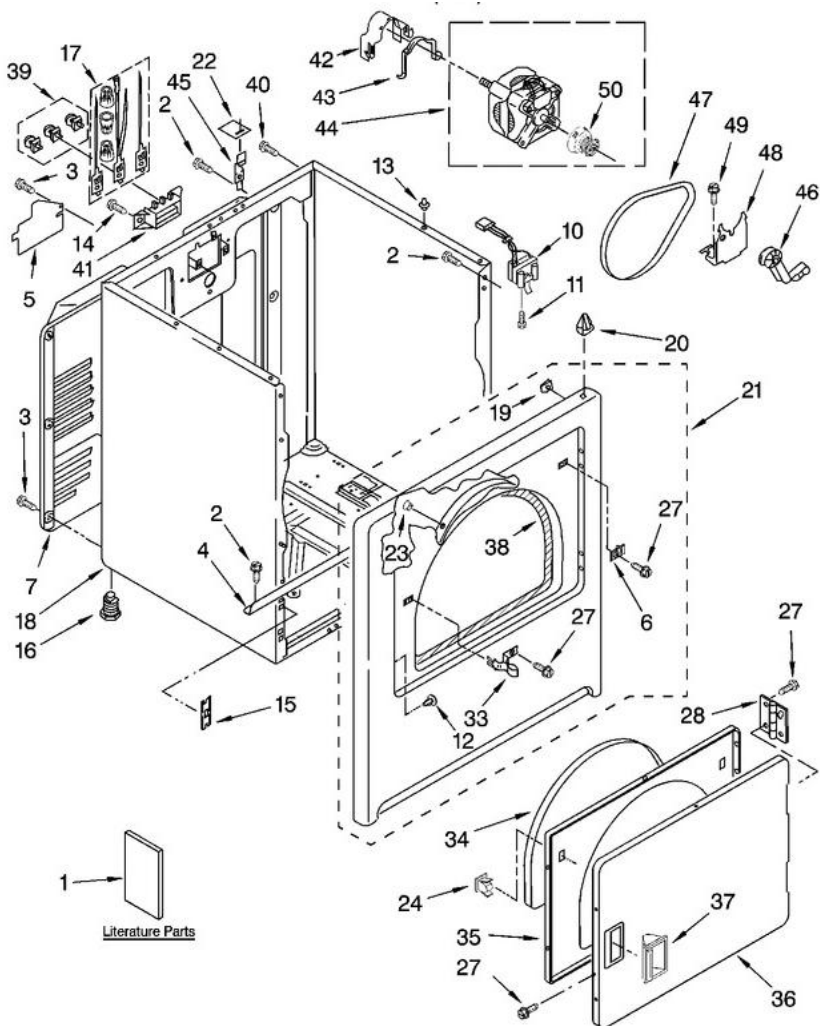


Distribuidor Autorizado

SurteRápido.com

Venta de Refacciones
Electrodomesticas

MED5630TQ0

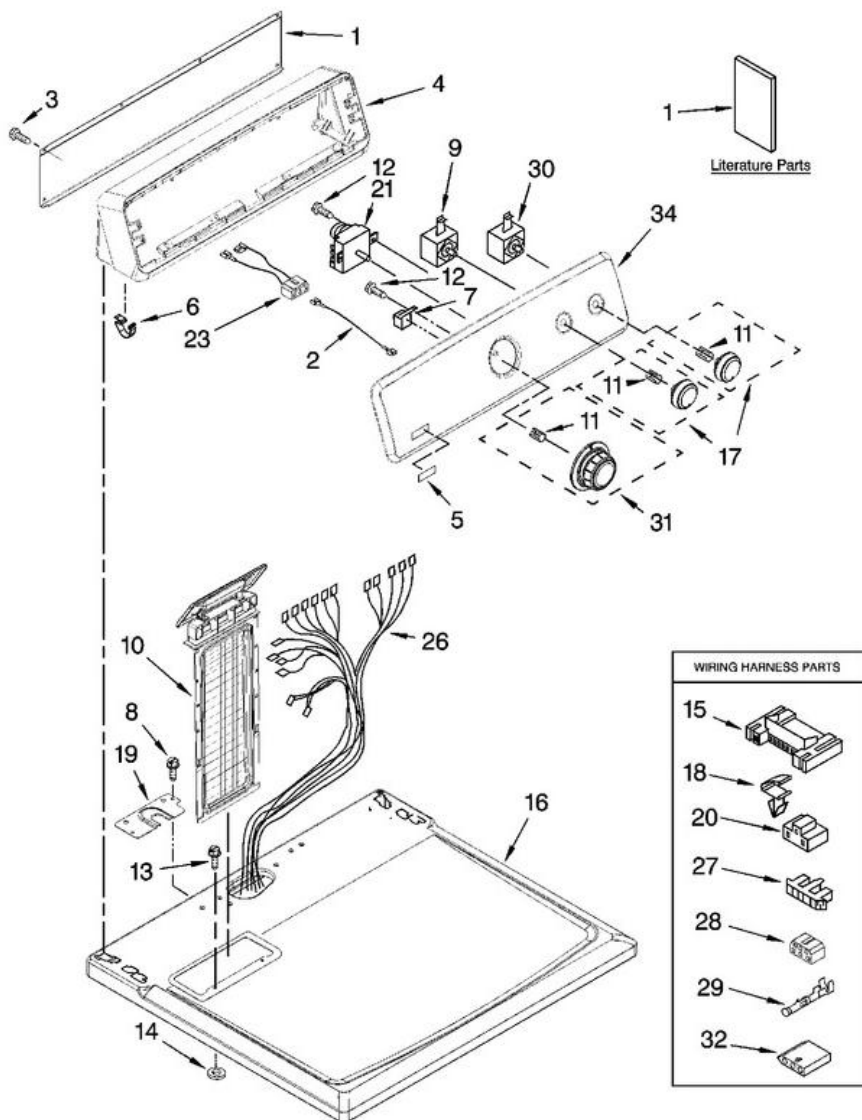


MED5630TQ0

1	8576817	WIRING DIAGRAM
1	W10088770	USE & CARE GUIDE
1	W10089170	SHEET, CYCLE FEATURE
2	343641	SCREW, 10-16 X 1/2
3	693995	SCREW, 8-18 X 3/8
4	8541400	BRACKET, CABINET
5	3396795	COVER, BLOCK
6	3403630	PLUG, STRIKE
7	3396805	PANEL, REAR
10	3406107	DOOR SWITCH ASSEMBLY
11	697773	SCREW, 6-20 X 7/8
12	3404413	PLUG, HOLE
13	98669	LOCATOR, TOP
14	3393008	SCREW, 10-16 X 1/2
15	3394083	CLIP, FRONT PANEL (2)
16	279810	FOOT, OPTIONAL EXTENDED LENGTH PACKAGE OF 2) (NOT INCLUDED)
16	3392100	FOOT, DRYER
17	279318	TERMINAL, TINNED & BRASS (3) (INCLUDES ILLUS. 39)
18	8530603	CABINET (INCLUDES ILLUS. 4)
19	98234	CLIP, GROUND
20	18776	LOCK, FRONT TOP (2)
21	3403444	PANEL, FRONT
22	18849	PAD, TOP HINGE
23	685203	CLIP, FELT PAD (3)
24	3389441	CATCH, DOOR ASSEMBLY
27	342055	SCREW, 8-18 X 1/2
28	3405514	HINGE, DOOR
33	3403431	STRIKE, DOOR
34	3405246	SEAL, DOOR
35	3402341	DOOR, REAR
36	3402335	DOOR, FRONT
37	8565970	HANDLE, DOOR
38	3406129	SEAL & BEARING ASSEMBLY
39	279393	TERMINAL BLOCK KIT (FOR TERMINAL BLOCK)

40	697776	SCREW, 10-32 X 5/8
41	3397659	BLOCK, TERMINAL
42	3404162	CLAMP, MOTOR (W/SHIELD)
43	660658	CLAMP, MOTOR
44	8066206	MOTOR ASSEMBLY 60 HZ.
45	8066217	HINGE, TOP (2)
46	691366	IDLER & PULLEY ASSEMBLY
47	8066065	BELT, DRIVE
48	348780	BASE, MOTOR
49	3400500	BOLT, 5/16-18 X 3/4
50	8066184	PULLEY 60 HZ.

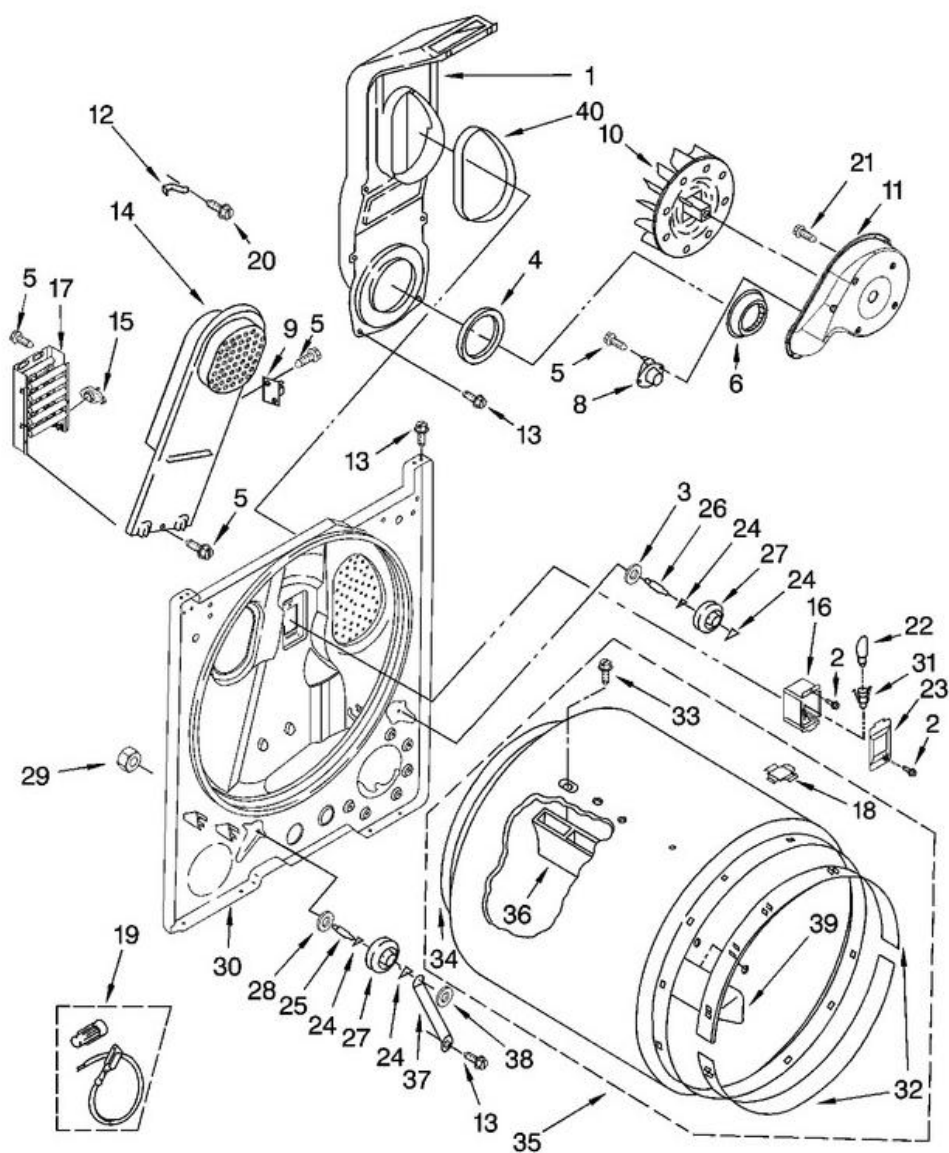
MED5630TQ0



MED5630TQ0

1	W10112576	PANEL, REAR CONSOLE
2	W10113080	WIRE, JUMPER (TAN)
3	693995	SCREW, HEX HEAD
4	8579716	SHELL, CONSOLE (INCLUDES ILLUS:6)
5	W10112569	BADGE ASSEMBLY
6	8312709	CLIP, CONSOLE
7	694419	BUZZER, MINI
8	337686	SCREW, 8-18 X 3/4
9	3399640	SWITCH, TEMPERATURE
10	8565972	SCREEN, LINT (WHITE)
11	8536939	CLIP, SPRING
12	8533971	SCREW, 8-18 X 5/16
13	688983	SCREW, 8-18 X 5/8
14	237446	WASHER (TOP/CHUTE)
15	3395683	CONNECTOR (MOTOR)
16	8579698	TOP (WHITE)
17	W10110029	KNOB, CONTROL (1) (WHITE)
18	3394427	CLIP-HARNESS
19	8565981	BRACKET, HARNESS
20	3401144	CONNECTOR, (PTS RELAY)
21	3979617	TIMER, 60 HZ.
23	W10113107	WIRE, JUMPER (TEMPERATURE)
26	W10110864	HARNESS, WIRING
27	3397269	CONNECTOR, TIMER
28	3347243	CONNECTOR 6-CIRCUIT
29	94614	TERMINAL (FEMALE)
30	W10117655	SWITCH, PUSH TO START
31	W10110030	TIMER KNOB ASSEMBLY (WHITE)
32	3936144	CONNECTOR
34	W10086707	PANEL, CONTROL (INCLUDES ILLUS:5)

MED5630TQ0



MED5630TQ0

1	348368	LINT CHUTE ASSEMBLY
2	487909	SCREW, 8-15 X 1/2
3	3388703	WASHER, SUPPORT
4	347139	SEAL, LINT CHUTE
5	90767	SCREW, 8-18 X 3/8
6	696302	SHIELD, EXHAUST
8	3387134	THERMOSTAT, INTERNAL-BIAS
9	3977393	THERMAL, CUT-OFF (INCLUDES ILLUS. 15)
10	694089	WHEEL, BLOWER
11	8577230	HOUSING, BLOWER
12	3398161	CLIP
13	343641	SCREW, 10-16 X 1/2
14	8541818	BOX, HEATER
15	3977767	THERMOSTAT, 221 F (105 C)
16	3977373	BRACKET, DRUM LIGHT
17	3403585	ELEMENT, HEATER
18	8066086	DRUM HOLE PLUG
19	279457	TERMINAL WIRE KIT (FOR HEATER ELEMENT WIRING HARNESS REPAIR)
20	489463	SCREW, 8-18 X 5/8
21	3390647	SCREW, 8-18 X 1/2
22	3406124	LIGHT BULB
23	3402841	LENS, DRUM LIGHT
24	690997	RING, TRI
25	3399506	SHAFT, L.H.
26	3399507	SHAFT, R.H.
27	3397590	ROLLER, SUPPORT
28	348197	WASHER, SUPPORT
29	3359452	NUT, 3/8-16
30	3403413	BULKHEAD
31	3403634	SOCKET ASSEMBLY
32	692526	RING, BEARING (2)
33	W10109200	SCREW, 11-16 X 3/4

34	3406130	SEAL, REAR DRUM
35	695587	DRUM ASSEMBLY
36	692490	BAFFLE, DRUM (2)
37	3976434	BRACKET, SUPPORT
38	90296	CLIP
39	3403636	BAFFLE, DRUM (1)
40	339956	SEAL