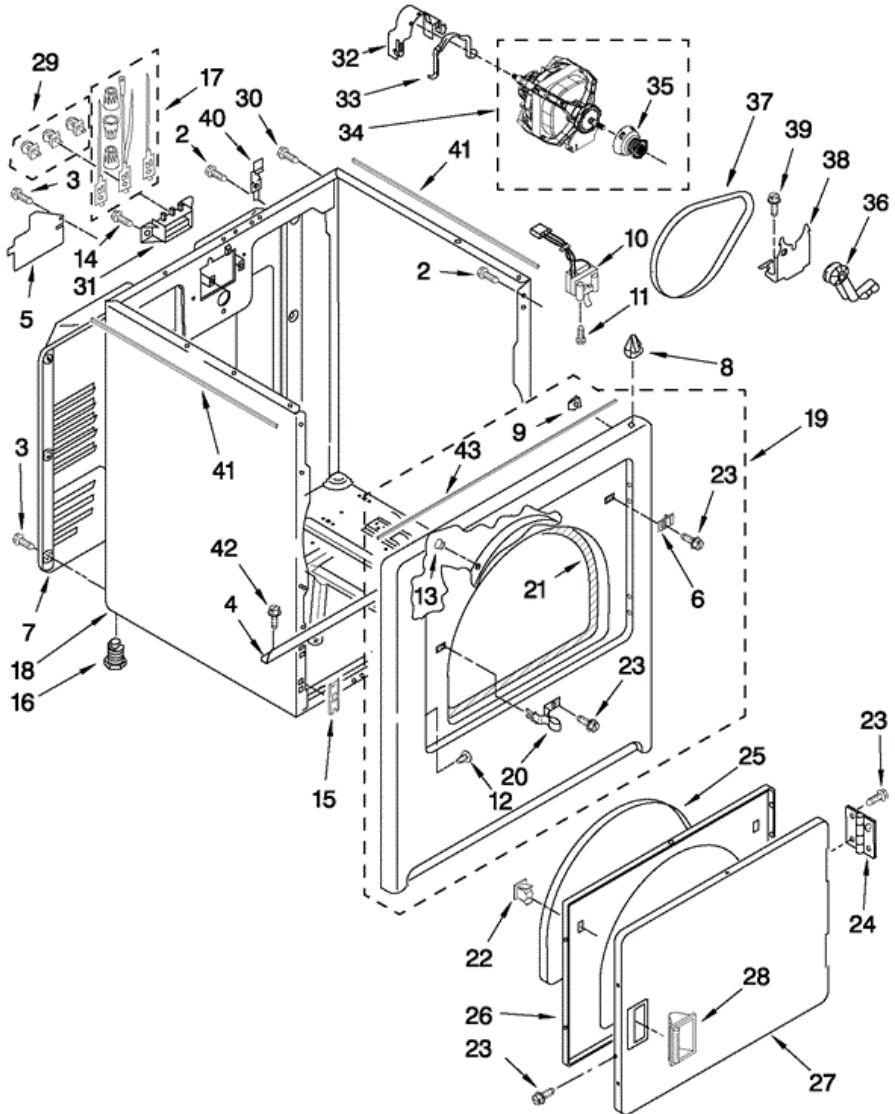


Distribuidor Autorizado

**SurteRápido.com**

Venta de Refacciones  
Electrodomesticas

## MEDC300XW0 GABINETE



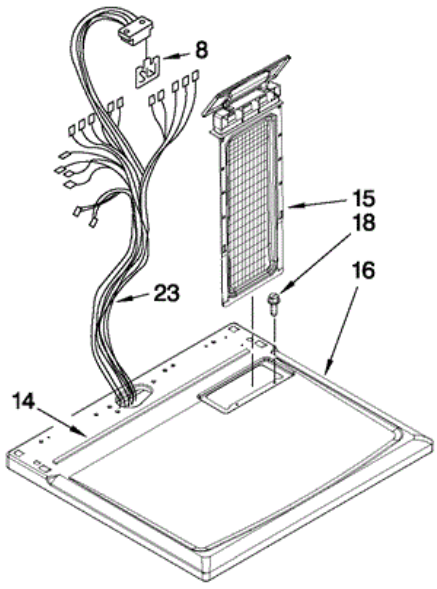
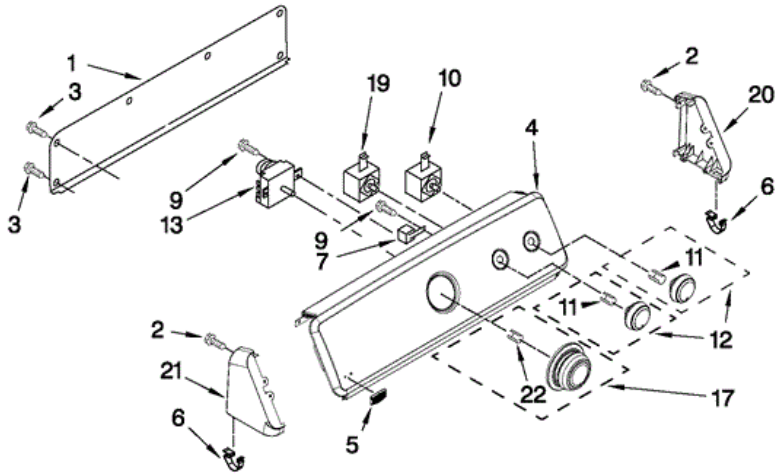


## MEDC300XW0 GABINETE

2	3390631	SCREW, 10-16 X 1/2
3	693995	SCREW,8-18 X 3/8
4	W10236073	BRACKET, CABINET
5	3396795	COVER, BLOCK
6	3403630	PLUG-STRIKE
7	3396805	PANEL, REAR
8	690363	LOCK, FRONT TOP (2)
9	98234	CLIP, GROUND
10	3406107	DOOR SWITCH ASSEMBLY
11	697773	SCREW, 6-20 X 7/8
12	3404413	PLUG-HOLE
13	685203	CLIP, FELT PAD (3)
14	3393008	SCREW, 10-16 X 1/2
15	3394083	CLIP, FRONT PANEL (2)
16	3392100	FOOT, DRYER
17	279318	TERMINAL, TINNED & BRASS (3) (INCLUDES ITEM 39)
18	W10224934	CABINET (INCLUDES ITEM, NO. 4 )
19	W10224856	PANEL, FRONT & SEAL ASSEMBLY
20	3403431	STRIKE, DOOR
21	3406129	SEAL & BEARING ASSEMBLY
22	3389441	CATCH, DOOR ASSEMBLY
23	342055	SCREW, 8-18 X 1/2
24	3405514	HINGE, DOOR
25	3405246	SEAL, DOOR
26	3402341	DOOR, REAR
27	3402335	DOOR FRONT
28	8565970	HANDLE, DOOR
29	279393	TERMINAL BLOCK KIT FOR TERMINAL BLOCK
30	8533974	SCREW, 10-32 X 1/2
31	3397659	BLOCK, TERMINAL
32	3404162	CLAMP, MOTOR (W/SHIELD)
33	W10121316	CLAMP, MOTOR
34	8066206	MOTOR ASSEMBLY 60 HZ.

35	8066184	PULLEY, 60 HZ.
36	691366	IDLER & PULLEY ASSEMBLY
37	W10198086	BELT, DRIVE
38	348780	BASE, MOTOR
39	3400500	BOLT, 5/16-18 X 3/4
40	8066217	HINGE, TOP (2)
41	W10316529	SEAL-SPILL GUARD
42	3390647	SCREW,8-18 X 1/2
43	W10316619	SEAL-SPILL GUARD
NI	279810	FOOT - OPTIONAL

**MEDC300XW0 TABLERO**





## MEDC300XW0 TABLERO

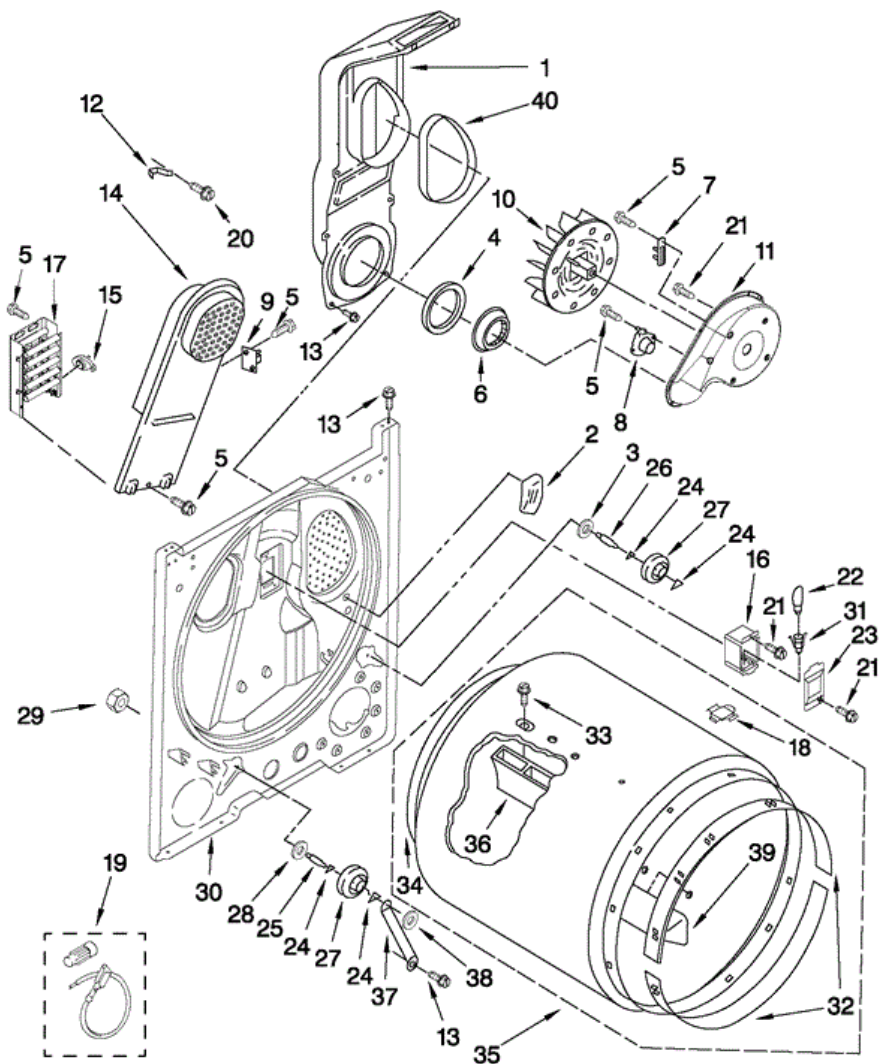
1	W10103406	PANEL, REAR CONSOLE
2	359625	SCREW, 8-18 X 1/2
3	693995	SCREW, HEX HEAD
4	W10115475	CONSOLE PANEL & BRACKET ASSEMBLY
5	W10323734	BADGE, ASSEMBLY
6	8312709	CLIP, CONSOLE
7	694419	BUZZER, MINI
8	8558178	CONTROL, ELECTRONIC
9	3348629	SCREW, 8-18 X 3/8
10	W10117655	SWITCH, PUSH TO START
11	8536939	CLIP, SPRING
12	W10317455	KNOB, CONTROL
13	8566184	TIMER, 60 HZ.
14	W10316616	FOAM SEAL
15	8565972	SCREEN, LINT
16	W10225059	TOP & SEAL ASSEMBLY (INCLUDES ITEM, NO. 31 )
17	W10317454	KNOB ASSEMBLY, TIMER
18	688983	SCREW, 8-18 X 5/8
19	8578354	SWITCH, TEMPERATURE
20	W10193821	ENDCAP (R.H.)
21	W10193824	ENDCAP (L.H.)
22	688805	SPRING, CLIP KNOB
23	W10346386	HARNESS, WIRING

Distribuidor Autorizado

SurteRápido.com

Venta de Refacciones  
Electrodomesticas

## MEDC300XW0 TAMBOR





## MEDC300XW0 TAMBOR

1	348368	LINT CHUTE ASSEMBLY
2	3976479	PAD, SENSOR
3	3388703	WASHER-SUPPORT
4	347139	SEAL, LINT CHUTE
5	90767	SCREW, 8-18 X 3/8
6	696302	SHIELD, EXHAUST
7	3392519	FUSE, THERMAL (91 C)
8	8318268	THERMOSTAT, INTERNAL-BIAS
9	3977393	THERMAL, CUT-OFF (INCLUDES ITEM 15)
10	694089	WHEEL, BLOWER
11	8577230	HOUSING, BLOWER
12	3398161	CLIP
13	3390631	SCREW, 10-16 X 1/2
14	8541818	BOX, HEATER
15	3977767	THERMOSTAT, 221Â°F (105Â°C)
16	3977373	BRACKET, DRUM LIGHT
17	3403585	ELEMENT, HEATER
18	8066086	DRUM HOLE PLUG
19	279457	WIRE KIT, TERMINAL
20	489463	SCREW, 8-18 X 5/8
21	3390647	SCREW, 8-18 X 1/2
22	3406124	BULB
23	3402841	LENS, DRUM LIGHT
24	690997	RING, TRI
25	3399506	SHAFT, L.H.
26	3399507	SHAFT, R.H.
27	W10314171	ROLLER, SUPPORT
28	348197	WASHER, SUPPORT
29	W10298789	NUT, 3/8-16
30	3403414	BULKHEAD
31	W10136369	SOCKET ASSEMBLY
32	692526	RING, BEARING (2)
33	W10219342	SCREW, 8-16 X 3/4

34	3406130	SEAL, REAR DRUM
35	695587	DRUM ASSEMBLY
36	W10306677	BAFFLE, DRUM (2)
37	3976434	BRACKET, SUPPORT
38	90296	CLIP
39	3403636	BAFFLE, DRUM (1)
40	339956	SEAL