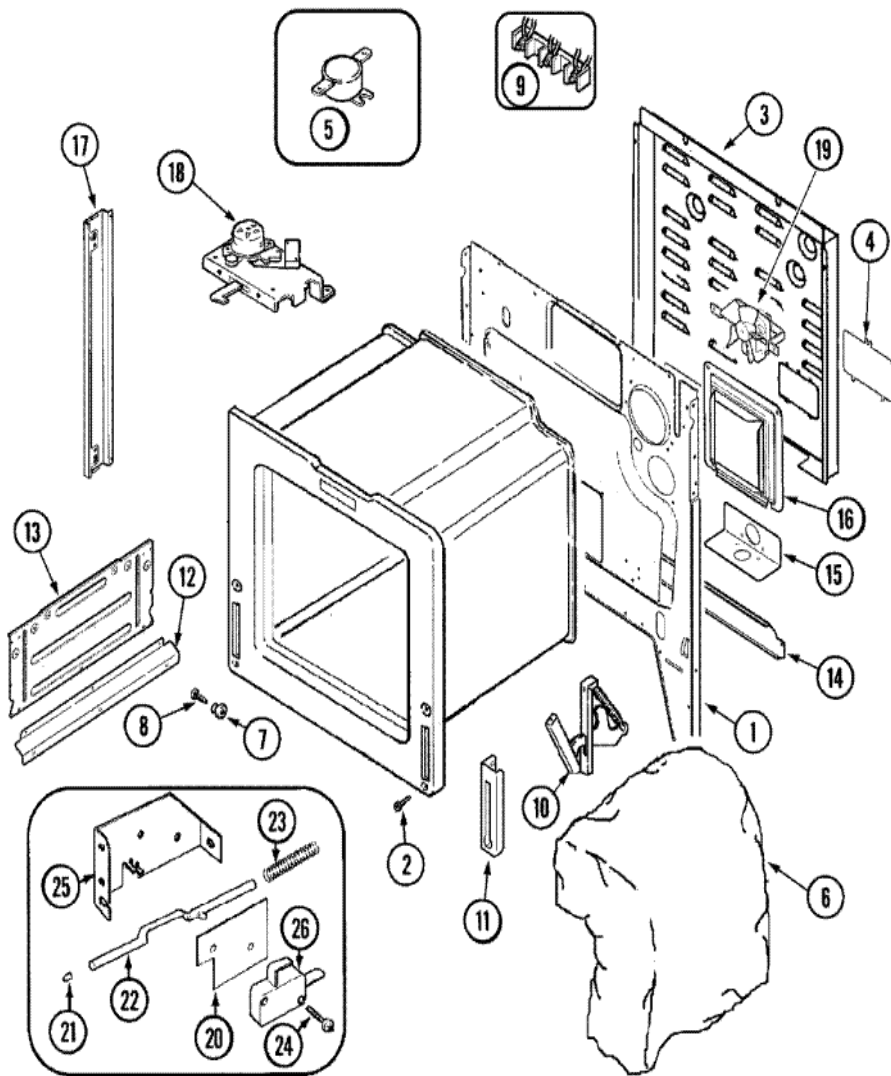


Distribuidor Autorizado

SurteRápido.com

Venta de Refacciones  
Electrodomesticas

# MES5870AAW GABINETE





## MES5870AAW GABINETE

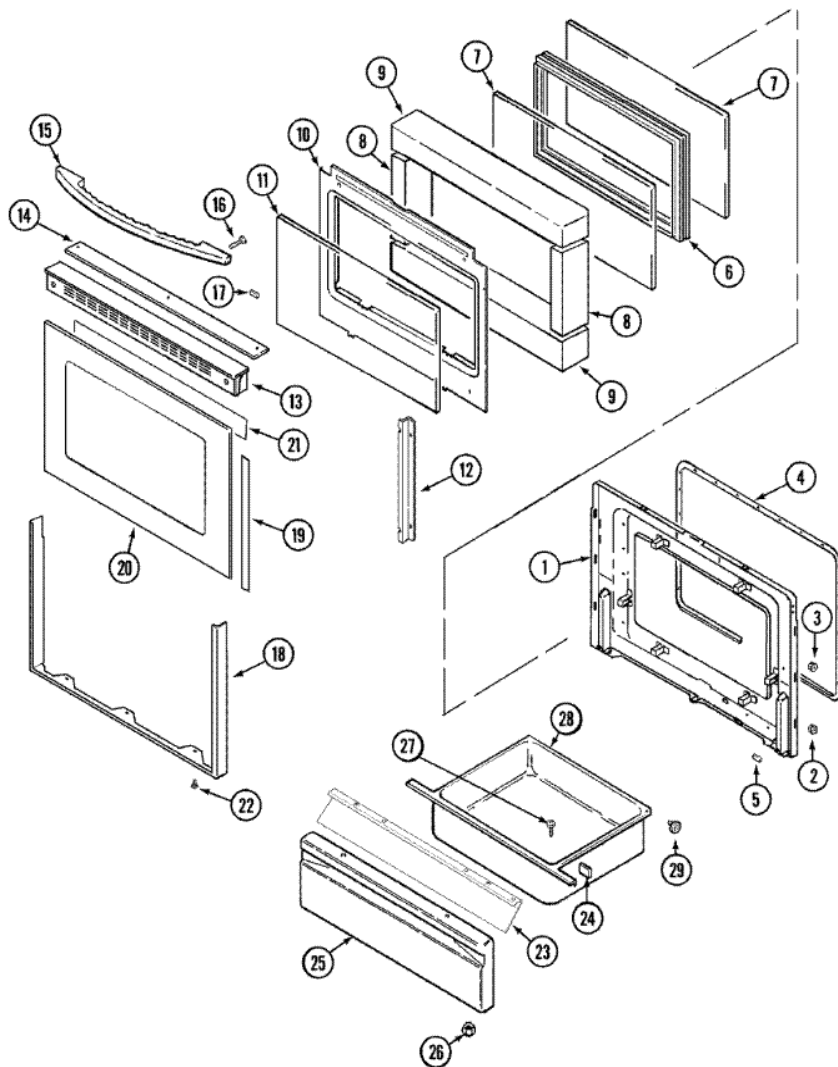
1	74004174	BACK, MAIN (S/P)
3	74005265	COVER, WIRE (REAR) (S/P)
4	74005264	COVER, TERMINAL BLOCK (S/P)
5	71001844	THERMOSTAT, HI-LIMIT (S/P)
6	74003381	INSULATION, OVEN WRAP (S/P)
6	74003503	INSULATION, OVEN (S/P)
6	74003382	INSULATION, BACK/BOTTOM (S/P)
7	8004P024-60	SPACER, SIDE PANEL (S/P)
9	74002305	BLOCK, DISCONNECT (S/P)
9	74002306	BLOCK, DISCONNECT (S/P)
9	74002230	BLOCK, DISCONNECT (MALE) (S/P)
9	7401P039-60	BLOCK, TERMINAL (S/P)
10	74003968	HINGE, DOOR (S/P)
11	74004173	<b>DESCONTINUADO</b>
12	74004176	EXTENSION, HEAT SHIELD (S/P)
13	74004177	SHIELD, HEAT (S/P)
14	74004175	EXTENSION, MAIN BACK (S/P)
15	74004180	BRACKET, POWER SUPPLY (S/P)
16	74004348	RETAINER, INSULATION (S/P)
17	74004182	TRIM, SIDE (WHT) (S/P)
18	74005675	ASSEMBLY, DOOR LATCH (S/P)
18	74004327	ASSEMBLY, DOOR LATCH (S/P)
19	71001851	FAN MOTOR ASSY. (S/P)
19	74004947	FAN MOTOR ASY. (S/P)
20	74001872	INSULATOR, SWITCH (S/P)
21	74001631	BUMPER, ROD (S/P)
22	74003562	ROD, DOOR LIGHT SWITCH (S/P)
23	74001629	SPRING, DOOR SWITCH (S/P)
25	74001632	BRACKET, SWITCH ACTUATOR (S/P)
26	74001802	SWITCH (S/P)

Distribuidor Autorizado

SurteRápido.com

Venta de Refacciones  
Electrodomesticas

# MES5870AAW PUERTA





## MES5870AAW PUERTA

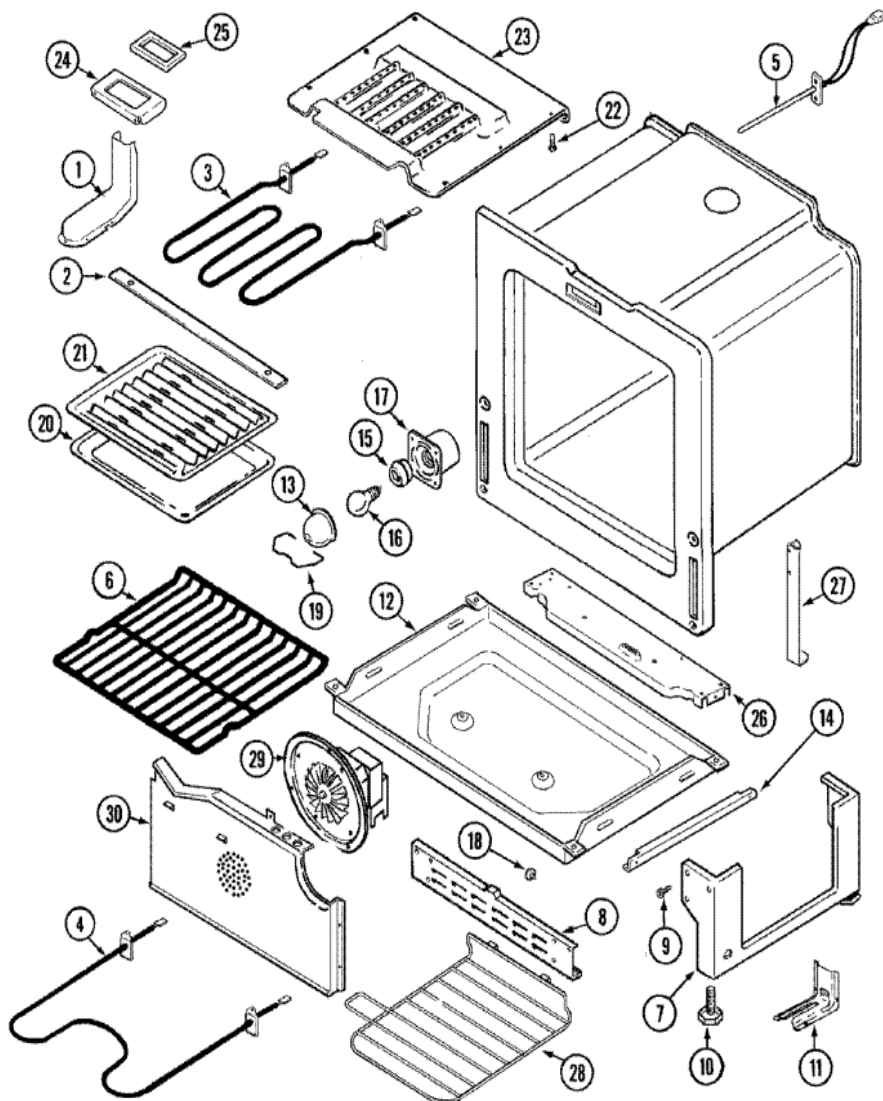
1	74003642	LINING, DOOR (S/P)
2	74003643	NUT, SNAP (SQUARE-BLK) (S/P)
3	74001574	NUT, SNAP (ROUND-BLK) (S/P)
3	7103P039-60	NUT, SNAP (ROUND-WHT) (S/P)
4	7201P046-60	GASKET, DOOR (S/P)
5	8010P085-60	SPACER, RUBBER (S/P)
6	74003644	FRAME, GLASS (S/P)
7	74003645	GLASS, INNER (S/P)
9	74003647	INSULATION, OVEN DOOR (S/P)
10	74001530	SCREW (8AB1/2-NI) (S/P)
10	74003648	BAFFLE, DOOR (S/P)
11	74003649	GLASS, DOOR (S/P)
12	74003650	RETAINER, GLASS (S/P)
13	74003653	TRIM, DOOR (TOP-WHT) (S/P)
14	7728P094-60	INSERT, DOOR TRIM (WHT) (S/P)
14	74001278	SCREW (WHT) (S/P)
15	74003620	HANDLE, DOOR (WHT) (S/P)
16	74003132	SCREW (S/P)
17	71002092	<b>DESCONTINUADO</b>
18	74004325	FRAME, DOOR (WHT) (S/P)
19	74004224	TAPE, SINGLE SIDED (WHT) (S/P)
20	74003671	GLASS, DOOR (WHT) (S/P)
21	74003664	TAPE, FOIL 29`` X 2`` (S/P)
22	74001530	SCREW (8AB1/2-NI) (S/P)
23	2404F030-51	LINING, DRAWER PANEL (S/P)
24	8010P085-60	SPACER, RUBBER (S/P)
25	74003407	PANEL, DRAWER (WHT) (S/P)
26	7103P139-60	NUT, LOCK (S/P)
28	71003042	DRAWER, STORAGE (S/P)
29	74003566	ROLLER, DRAWER (S/P)
29	7103P082-60	NUT (S/P)

Distribuidor Autorizado

SurteRápido.com

Venta de Refacciones  
Electrodomesticas

MES5870AAW BASE





**MES5870AAW BASE**

1	74004170	BOX, VENT (S/P)
2	7101P345-60	SCREW (S/P)
2	74003563	SUPPORT, BROIL ELEMENT (S/P)
3	74001530	SCREW (8AB1/2-NI) (S/P)
3	74003040	ELEMENT, BROIL (6 PASS) (S/P)
4	74003039	ELEMENT, BAKE (S/P)
4	74001530	SCREW (8AB1/2-NI) (S/P)
5	74001530	SCREW (8AB1/2-NI) (S/P)
5	74003390	SENSOR, OVEN (LONG) (S/P)
6	74001757	RACK, OVEN (S/P)
7	74003405	PEDESTAL, SIDE (S/P)
8	4020F001-80	PEDESTAL, FRONT/REAR (S/P)
9	74001530	SCREW (8AB1/2-NI) (S/P)
10	74002557	LEG, LEVELING (S/P)
11	74002311	BRACKET, ANTI-TIP (S/P)
11	7101P352-60	SCREW (S/P)
12	74001530	SCREW (8AB1/2-NI) (S/P)
12	74004169	<b>DESCONTINUADO</b>
13	74003389	COVER, BULB (S/P)
14	74001530	SCREW (8AB1/2-NI) (S/P)
14	74003565	RUNNER, DRAWER (S/P)
15	74001530	SCREW (8AB1/2-NI) (S/P)
15	74003387	RECEPTACLE, BULB (S/P)
16	7407P103-60	BULB, OVEN (S/P)
17	74003388	HOUSING, BULB (S/P)
18	74004079	SHAFT, ROLLER (S/P)
18	74004078	ROLLER, DRAWER (S/P)
18	7103P082-60	NUT (S/P)
19	74003391	<b>DESCONTINUADO</b>
20	Y3401F02019	PAN, BROIL (S/P)
21	Y3413F01619	INSERT, BROIL PAN (S/P)
22	74001530	SCREW (8AB1/2-NI) (S/P)
23	3601F237-47	BAFFLE, BROIL (S/P)

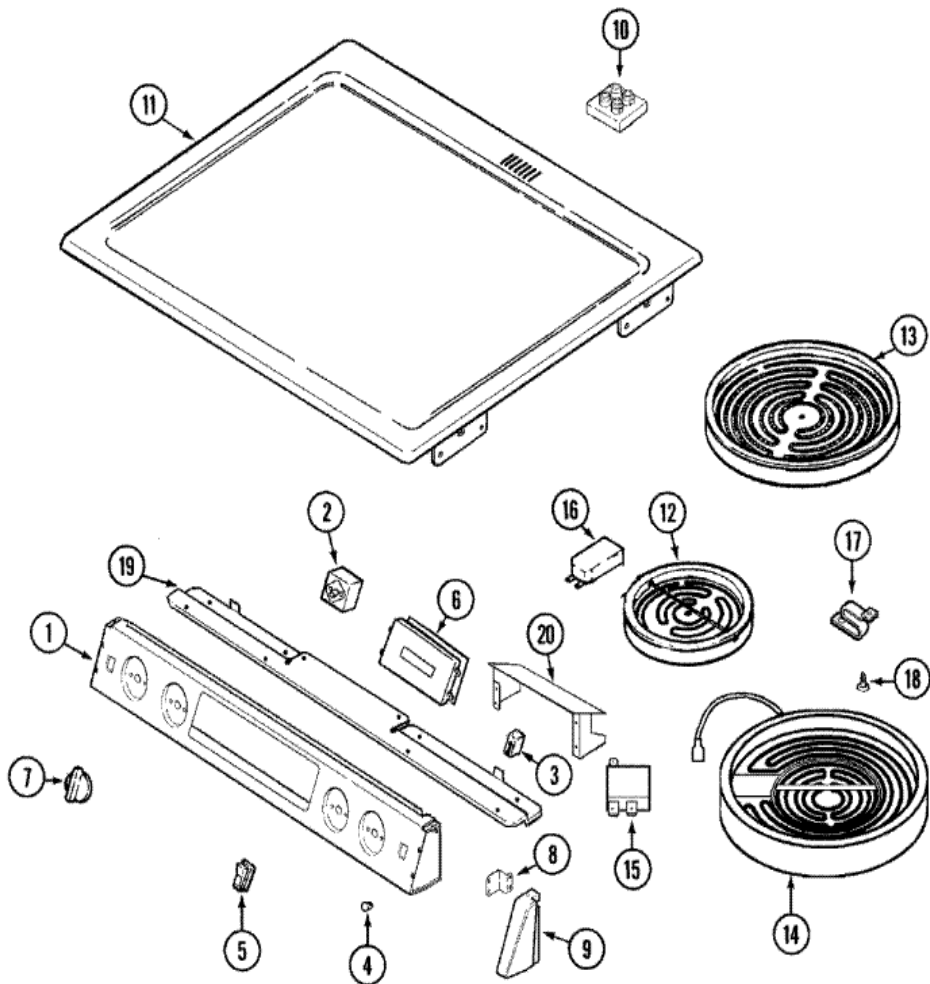
24	74004178	PLATE, VENT <b>(S/P)</b>
24	74001530	SCREW (8AB1/2-NI) <b>(S/P)</b>
25	74004179	GASKET, VENT <b>(S/P)</b>
26	74004167	SUPPORT <b>(S/P)</b>
27	74004780	SUPPORT, OVEN <b>(S/P)</b>
27	74001530	SCREW (8AB1/2-NI) <b>(S/P)</b>
28	74007263	HALFRACK (ROUND CONV. COVER) <b>(S/P)</b>
28	74003590	RACK, HALF (FLUSH CONV. COVER) <b>(S/P)</b>
29	74004007	FAN ASY. (CONVECTION) <b>(S/P)</b>
29	74005677	FAN ASSY. (ELEC-CONVECTION) <b>(S/P)</b>
30	74003697	<b>DESCONTINUADO</b>
30	74005783	COVER, CONVECT <b>(S/P)</b>

Distribuidor Autorizado

SurteRápido.com

Venta de Refacciones  
Electrodomesticas

MES5870AAW TAPA







## MES5870AAW TAPA

1	74004328	PANEL, CONTROL (WHT) (S/P)
2	7101P309-60	SCREW (S/P)
2	74003122	SWITCH, INFINITE (DUAL) (S/P)
2	7403P238-60	SWITCH, INFINITE (SML ELEMENT) (S/P)
2	7403P239-60	SWITCH, INFINITE (LRG ELEMENT) (S/P)
3	74004153	LIGHT, INDICATOR (S/P)
4	7730P011-60	LENS, INDICATOR LIGHT (S/P)
5	7403P200-60	SWITCH, ROCKER (WHT) (S/P)
6	74007369	LOCK, PURSE (S/P)
6	74009313	CLOCK W/OVERLAY (WHT) (S/P)
6	74004353	CLOCK ASSY W/OVERLAY (WHT) (S/P)
7	74003611	KNOB (WHT) (S/P)
8	74004186	BRACKET, END CAP (S/P)
8	74004208	SCREW (S/P)
8	74005671	BRACKET, END CAP (S/P)
9	74004320	CAP, END (RT-WHT) (S/P)
9	74004814	CAP, END (WHT-RT) (S/P)
9	74004817	CAP, END (WHT-LT) (S/P)
10	74004181	LIGHT, INDICATOR (S/P)
10	74009458	LIGHT, INDICATOR (S/P)
11	74004343	TOP, MAIN (WHT) (S/P)
11	8312P001-60	SCRAPER, RAZOR (S/P)
12	74002653	ELEMENT W/LIMITER (6``) (S/P)
12	74005476	ELEMENT W/LIMITER (6``) (S/P)
12	74001011	ELEMENT W/LIMITER (6``) (S/P)
12	74008568	ELEMENT (1200W) (S/P)
13	74005477	ELEMENT W/LIMITER (8``) (S/P)
14	74008570	ELEMENT, DUAL (S/P)
14	74002666	ELEMENT, CERAN. DUAL (S/P)
15	74002667	<b>DESCONTINUADO</b>
15	74004494	LIMITER (S/P)
16	74004494	LIMITER (S/P)
16	74002651	LIMITER (6``) (S/P)

16	74002652	<b>DESCONTINUADO</b>
17	74003072	SUPPORT, CERAMIC ELEMENT <b>(S/P)</b>
18	74003357	SCREW (6ABX.25-ZN) <b>(S/P)</b>
19	7101P338-60	SCREW (8BX3/8-NI) <b>(S/P)</b>
19	74004185	SUPPORT, CONTROL PANEL <b>(S/P)</b>
20	74004316	INSULATOR, FIBER BOARD <b>(S/P)</b>