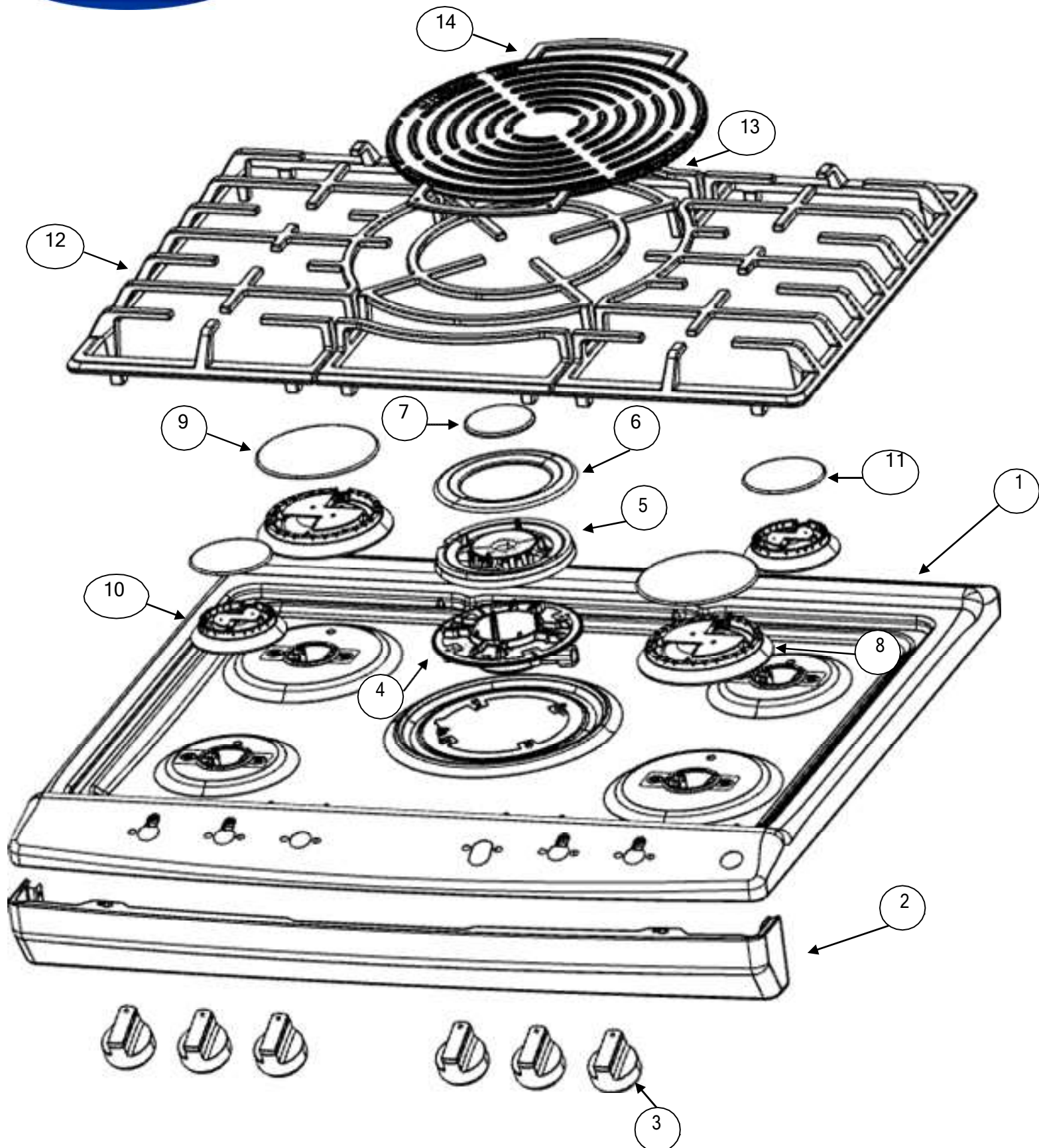


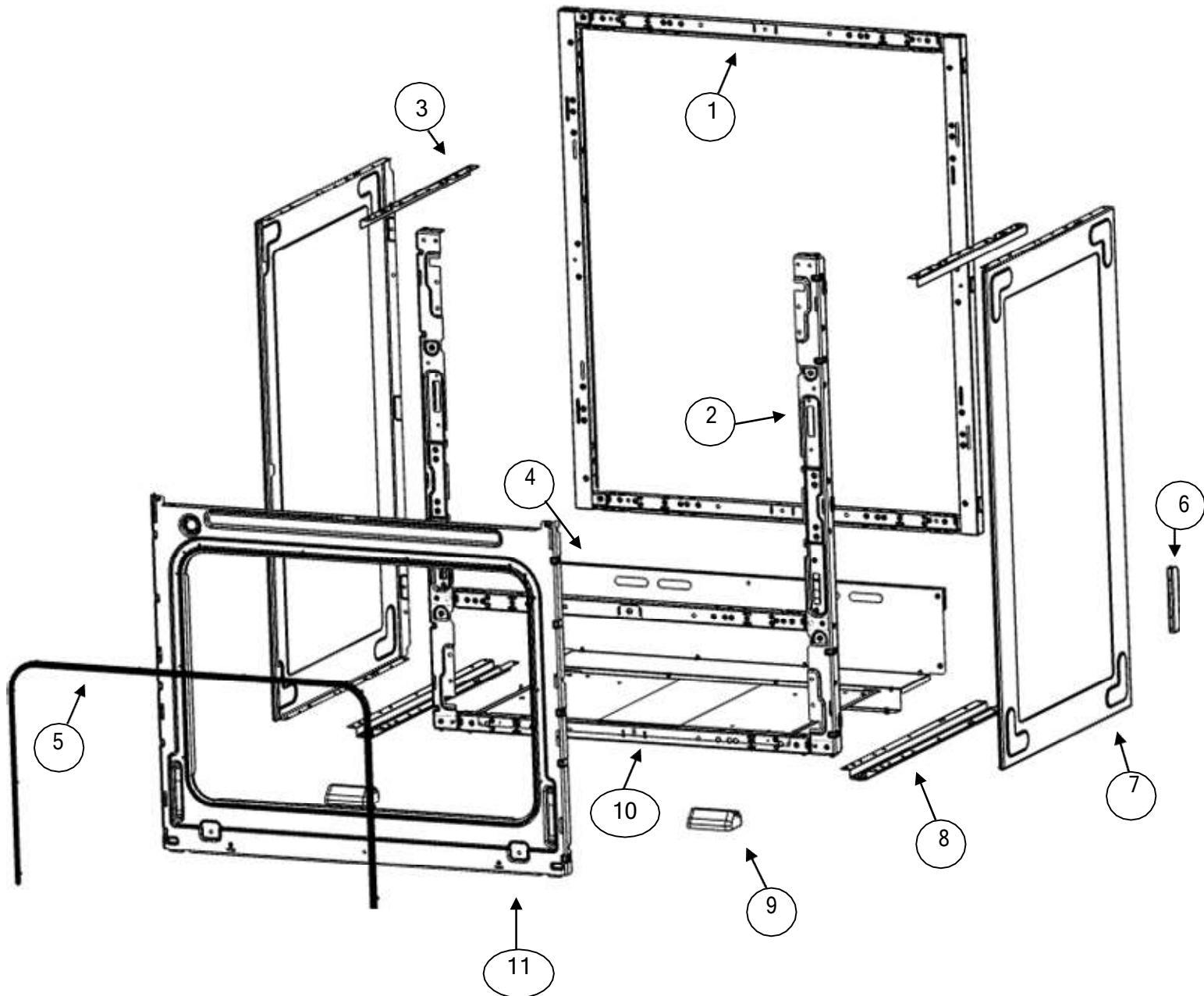


# EXPLOSIONADO DE PARTES – ESTUFA NACIONAL –

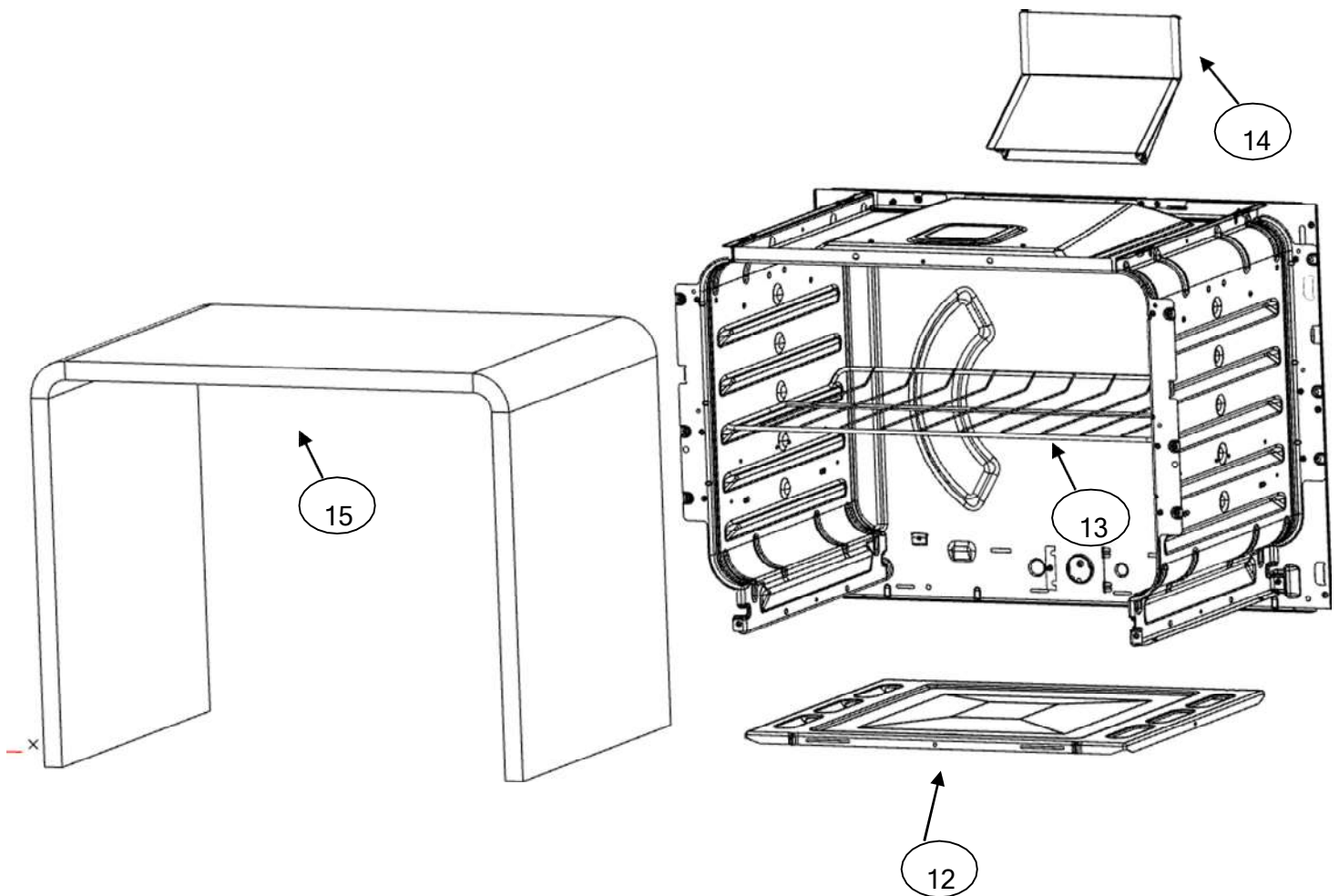
MODELO |MF8000S00



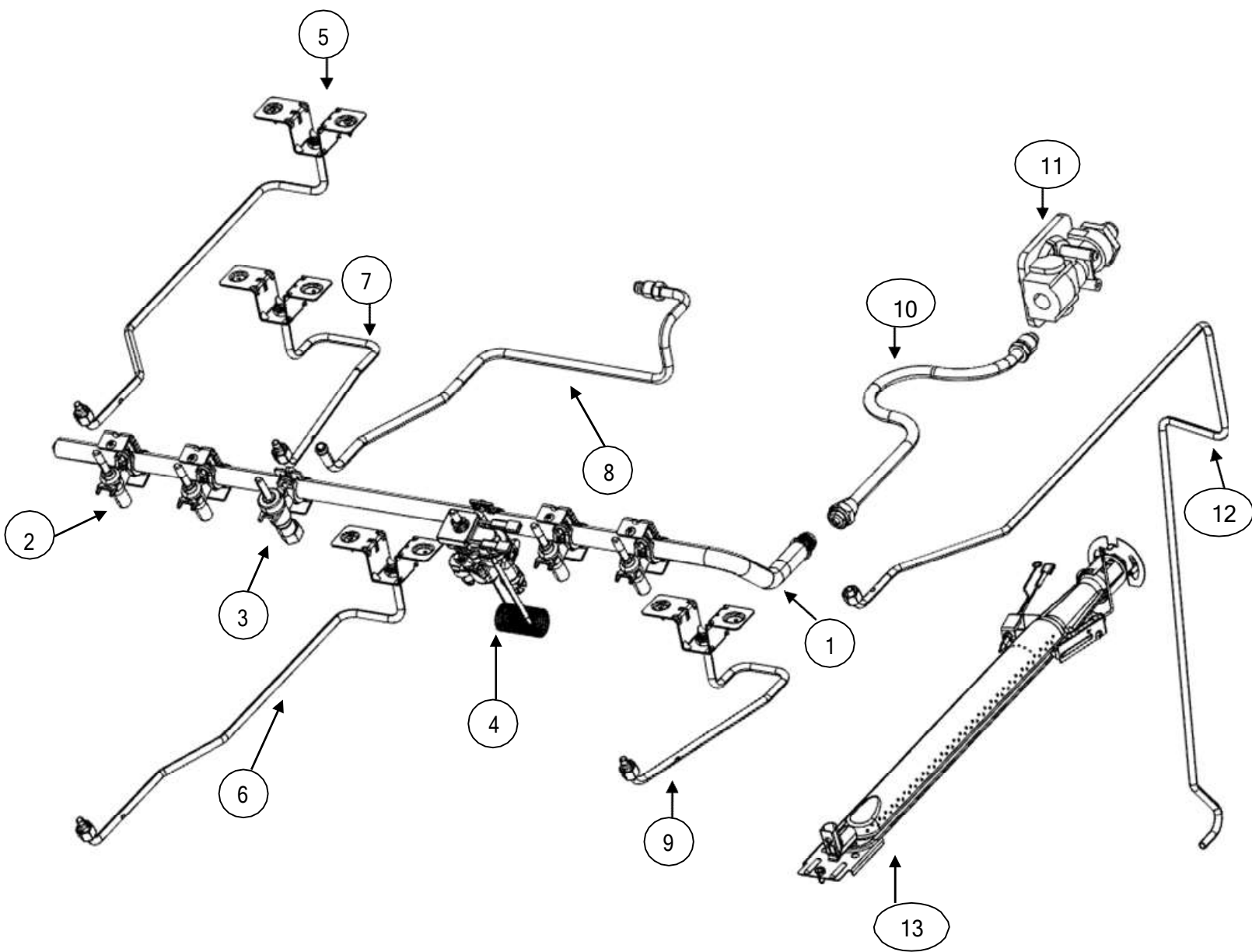
<b>No. Ilus.</b>	<b>DESCRIPCIÓN</b>	<b>Cant.</b>	<b>No. de Parte</b>
1	COOKTOP	1	W10844661
2	FRONT PANEL INSERT	1	W10604155
3	SINGLE KNOB METAL	6	W10844665
4	TRIPLE CROWN HOLDER	1	W10870272
5	SPREADER TRIPLE CROWN	1	W10812710
6	TC CAP EXTERIOR	1	W10812712
7	TC CAP INTERIOR	1	W10812711
8	SUPER BURNER	2	W10356319
9	SUPER BURNER	2	W10874486
10	CAP STD BURNER	2	W10354371
11	STD BURNER CAP	2	W10874485
12	IRON GRATE LATERAL	2	W10422206
13	IRON GRATE CENTRAL	1	W10422205
14	GRIDDLE CAST IRON	1	W10422230
	TORNILLO CUBIERTA QUEMADOR	*	W10146346





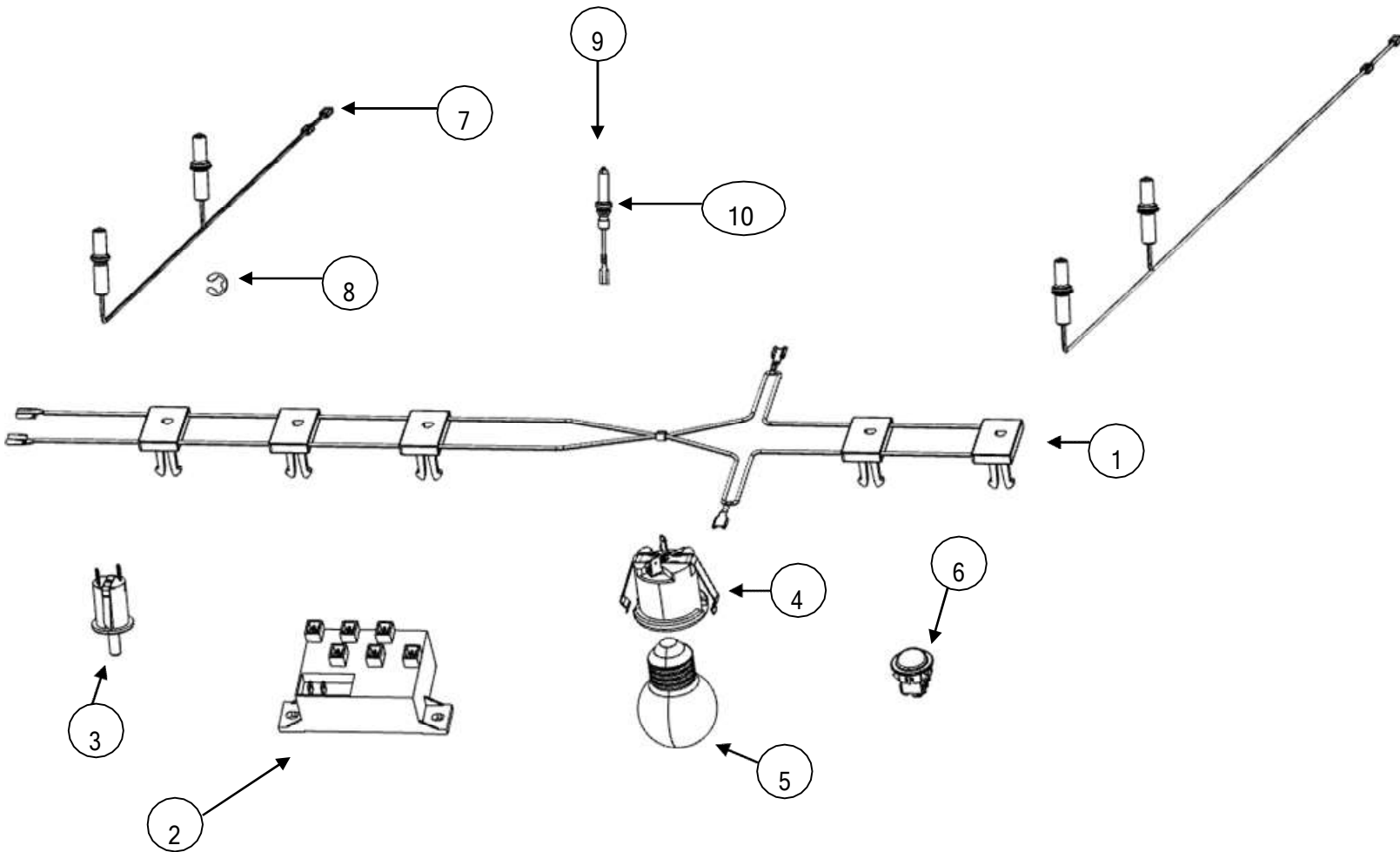


<u>No. Ilus.</u>	<u>DESCRIPCIÓN</u>	<u>Cant.</u>	<u>No. de Parte</u>
1	REAR FRAME	1	W10590203
2	FRONT VERTICAL PILLAR	2	W10354862
3	TOP SIDE PANEL	2	W10577312
4	BROILER BACK OVEN	1	W10515063
5	SEAL OVEN DOOR	1	WPW10535778
6	COUNTER SUPPORT	2	W10327222
7	SIDE PANEL	2	W10364507
8	BASE RAIL	2	W10446524
9	BASE CORNER FRONT	2	W10596641
10	CROSS SUPPORT	2	W10327223
11	FRONT FRAME	1	W10448073
12	OVEN BOTTOM	1	W10764694
13	OVEN RACK	1	W10787259
14	FLUE BOX ASM	1	W10742507
15	OVEN WRAPPER	1	W10364807

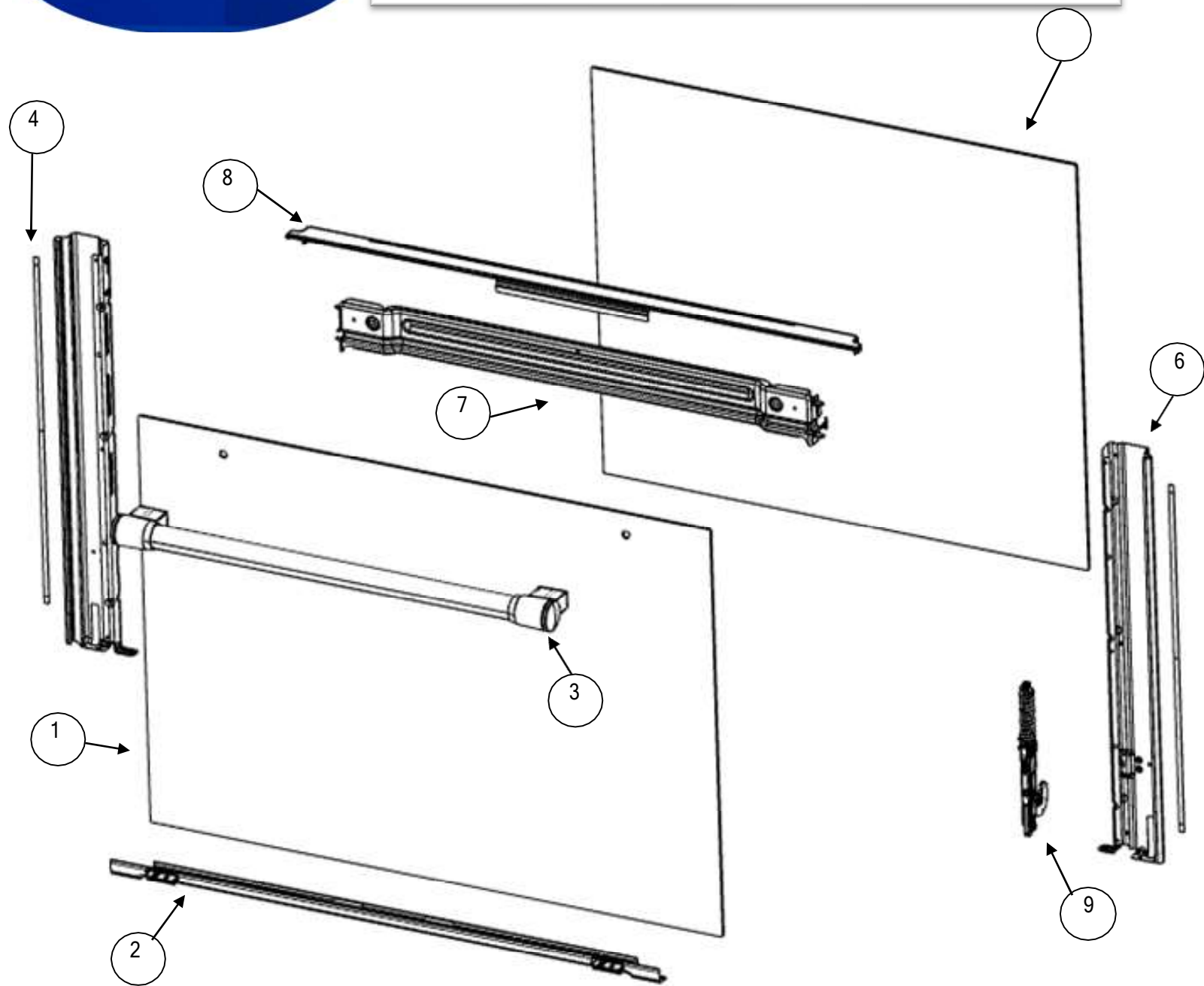


No. Ilus.	DESCRIPCIÓN	Cant.	No. deParte
1	MANIFOLD TUBE ASSY	1	W10444636
2	VALVE SURF ZAMAK STD	2	W10200740
2.1	VALVE SURF ZAMAK SUPER	2	W10200741
3	VALVE FCB	1	W10444644
4	THERMOSTAT WITH SAFETY	1	W10387499
5	REAR TUBING & BRACKET ASSY-STD	1	W10494193
6	REAR TUBING & BRACKET ASSY-STD	1	W10494192
7	FRONT TUBING & BRACKET ASSY-STD	1	W10494191
8	TUBING - FCB HIGHWAY	1	W10459197
9	FRONT TUBING & BRACKET ASSY-SUP	1	W10494190
10	CONNECTING TUBE	1	W10731781
11	REGULATOR	1	W10682560
12	OVEN TUBING TC	1	W10647687
13	OVEN BURNER ASSY	1	W10519079

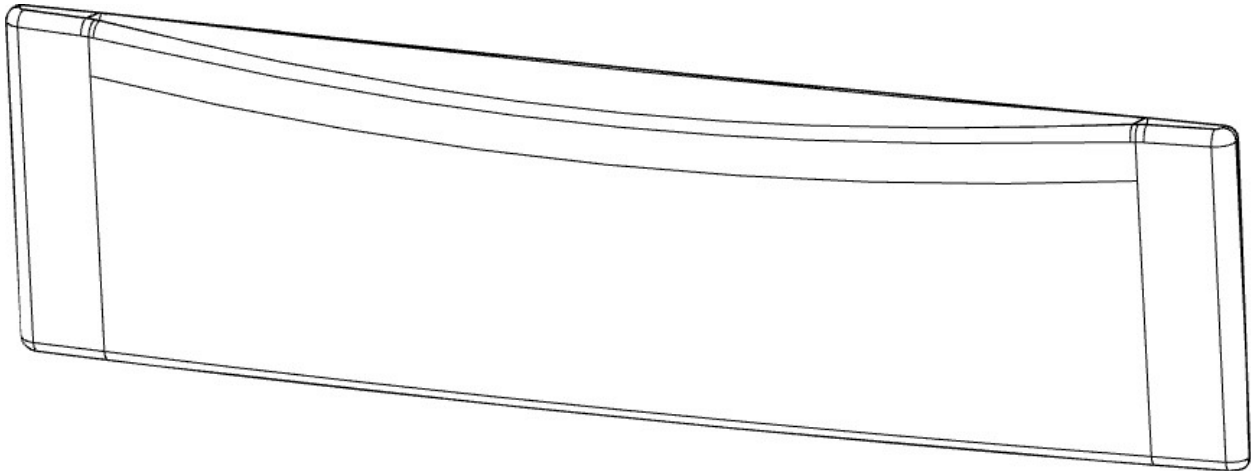




<b>No. Ilus.</b>	<b>DESCRIPCIÓN</b>	<b>Cant.</b>	<b>No. de Parte</b>
1	SWITCH HARNESS	1	W10381662
2	SPARK MODULE	1	W10455035
3	SWITCH DOOR	1	98005765
4	SOCKET- OVEN LIGHT	1	W10554269
5	OVEN LIGHT BULB	1	W10788320
6	OVEN LIGHT SWITCH	1	W10570176
7	TOP ELECTRODE 740	1	W10391624
7.1	TOP ELECTRODE 650	1	W10391625
7.2	TOP ELECTRODE 500	1	W10381604
7.3	TOP ELECTRODE 350	1	W10381604
8	E CLIP	4	W10654842
9	TC TOP ELECTRODE 600	1	W10812713
10	TC ELECTRODE CLIP	1	W10812714
*	CABLE TOMACORRIENTE	1	W10850547



No. Ilus.	DESCRIPCIÓN	Cant.	No. de Parte
1	OUTER PANEL OVEN DOOR	1	W10511298
2	**	1	**
3	OVEN DOOR HANDLE	1	W10844663
4	INNER GLASS SEAL	1	W10292266
5	INNER GLASS OVEN DOOR	1	W10372163
6	OVEN DOOR PILLAR	2	W10460272
7	OVEN DOOR CROSS SUPORT	2	W10387343
8	UPPER TRIM	1	W10544145
9	OVEN DOOR HINGE	1	W10420753
**	OVEN DOOR ASSY	**	W10844666





No. Ilus.	DESCRIPCIÓN	Cant.	No. deParte
1	COVER LID	1	W10482110

KIT DE CONVERSION GAS NATURAL:	<del>W10513483</del>	
Componentes a solicitar:	W10132112 (2)	ORIFICE STD BURNER
	W10118331 (2)	ORIFICE SUPER BURNER
	W10549799 (1)	ORIFICE FCB
	W10539375 (1)	ORIFICE OVEN BURNER
	98007152 (1)	BY-PASS THERMOSTAT
	W10200741 (2)	VALVE FOR STD. BURNER
	W10258173 (2)	VALVE FOR SUPER BURNER
	W10539406 (1)	VALVE FOR FCB

 <b>NOTA IMPORTANTE</b>		<p>Si el número de serie de la estufa a la cual se le realizará la conversión de gas comienza de la siguiente manera VE722XXXXX o en adelante, es decir, VE723XXXXX, VE724XXXXX etc. favor de solicitar el contenido del siguiente kit. En caso de que el número de serie comience de diferente manera favor de solicitar el kit de arriba</p>
Componentes a solicitar:	W10874075 (1)	TUBING TRASERO IZQUIERDO
	W10874076 (1)	TUBING FRONTAL IZQUIERDO
	W10874077 (1)	TUBING TRASERO DERECHO
	W10874079 (1)	TUBING FRONTAL DERECHO
	W10871181 (1)	ESPREA QUEMADOR TRIPLE CORONA
	W10539375 (1)	ESPREA QUEMADOR HORNO
	W10452673 (2)	VALVULA QUEMADOR ESTANDAR
	W10452674 (2)	VALVULA QUEMADOR SUPER
	W10539406 (1)	VALVULA QUEMADOR TRIPLE CORONA
	W10121465 (1)	BY PASS THERMOSTATO